



US00D420156S

United States Patent [19]
Poon

[11] **Patent Number: Des. 420,156**

[45] **Date of Patent: ** Feb. 1, 2000**

[54] **RADIO FLASHLIGHT**

D. 378,818 4/1997 Yuen D26/38
D. 410,099 5/1999 Zam D26/38

[75] Inventor: **Tit Ying Poon**, Shatin, The Hong Kong Special Administrative Region of the People's Republic of China

Primary Examiner—Marcus A. Jackson
Attorney, Agent, or Firm—Alix, Yale & Ristas, LLP

[73] Assignee: **Flying Dragon Development Ltd.**, Shatin, The Hong Kong Special Administrative Region of the People's Republic of China

[57] **CLAIM**

The ornamental design for a radio flashlight, as shown and described.

[**] Term: **14 Years**

DESCRIPTION

[21] Appl. No.: **29/101,690**

FIG. 1 is a perspective view of the radio flashlight showing my new design;
FIG. 2 is a front view of the radio flashlight of FIG. 1;
FIG. 3 is a side view of the radio flashlight of FIG. 2, viewed from the left thereof;
FIG. 4 is a top plan view of the radio flashlight of FIG. 2;
FIG. 5 is a rear view of the radio flashlight of FIG. 2;
FIG. 6 is a side viewed of the radio flashlight of FIG. 2, view from the right thereof; and,
FIG. 7 is a bottom plan view of the radio flashlight of FIG. 2.

[22] Filed: **Mar. 9, 1999**

[51] **LOC (7) Cl.** **26-02**

[52] **U.S. Cl.** **D26/38**

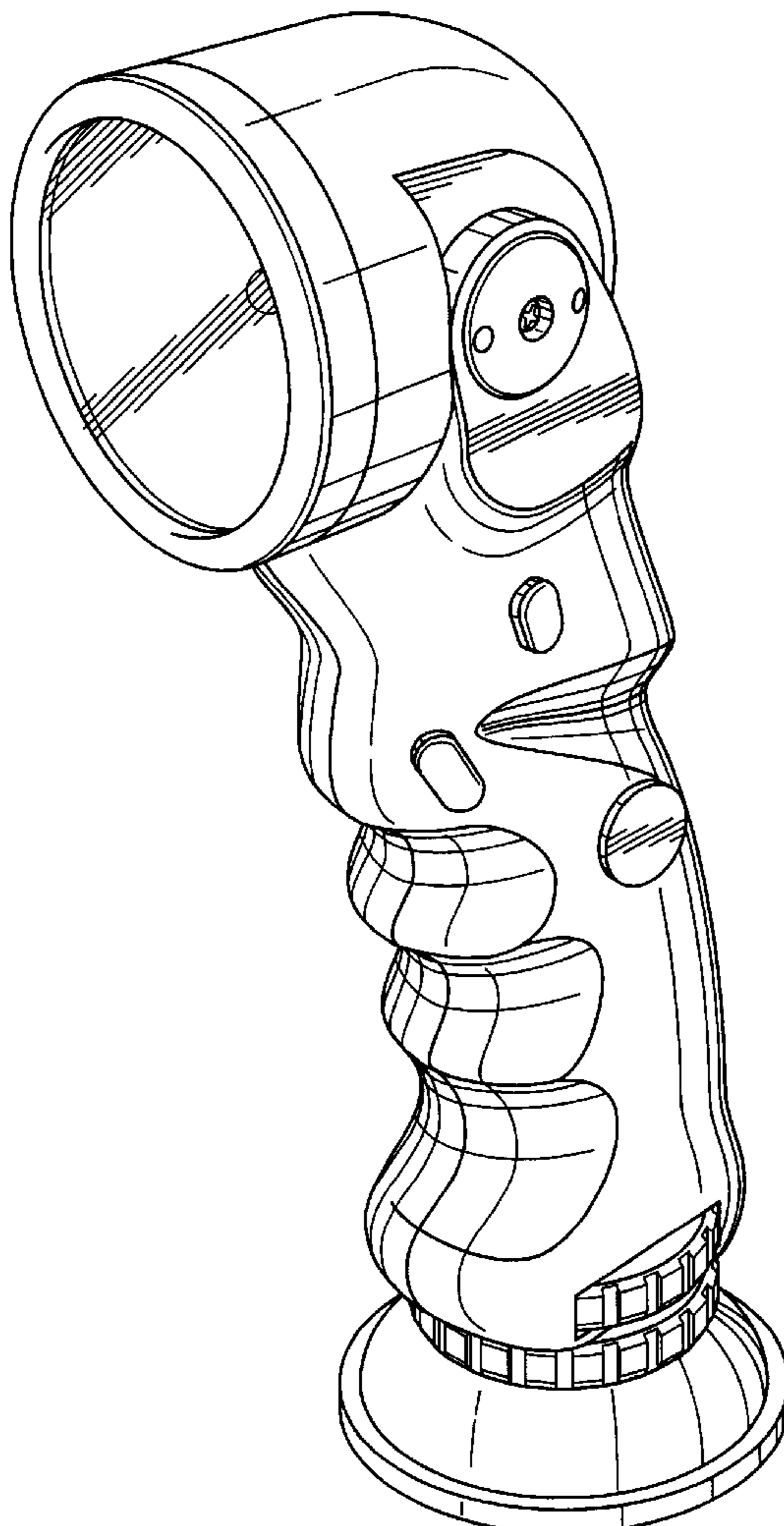
[58] **Field of Search** D26/37-50; 362/157, 362/158, 183-208

[56] **References Cited**

U.S. PATENT DOCUMENTS

D. 376,663 12/1996 Yuen D26/38

1 Claim, 3 Drawing Sheets



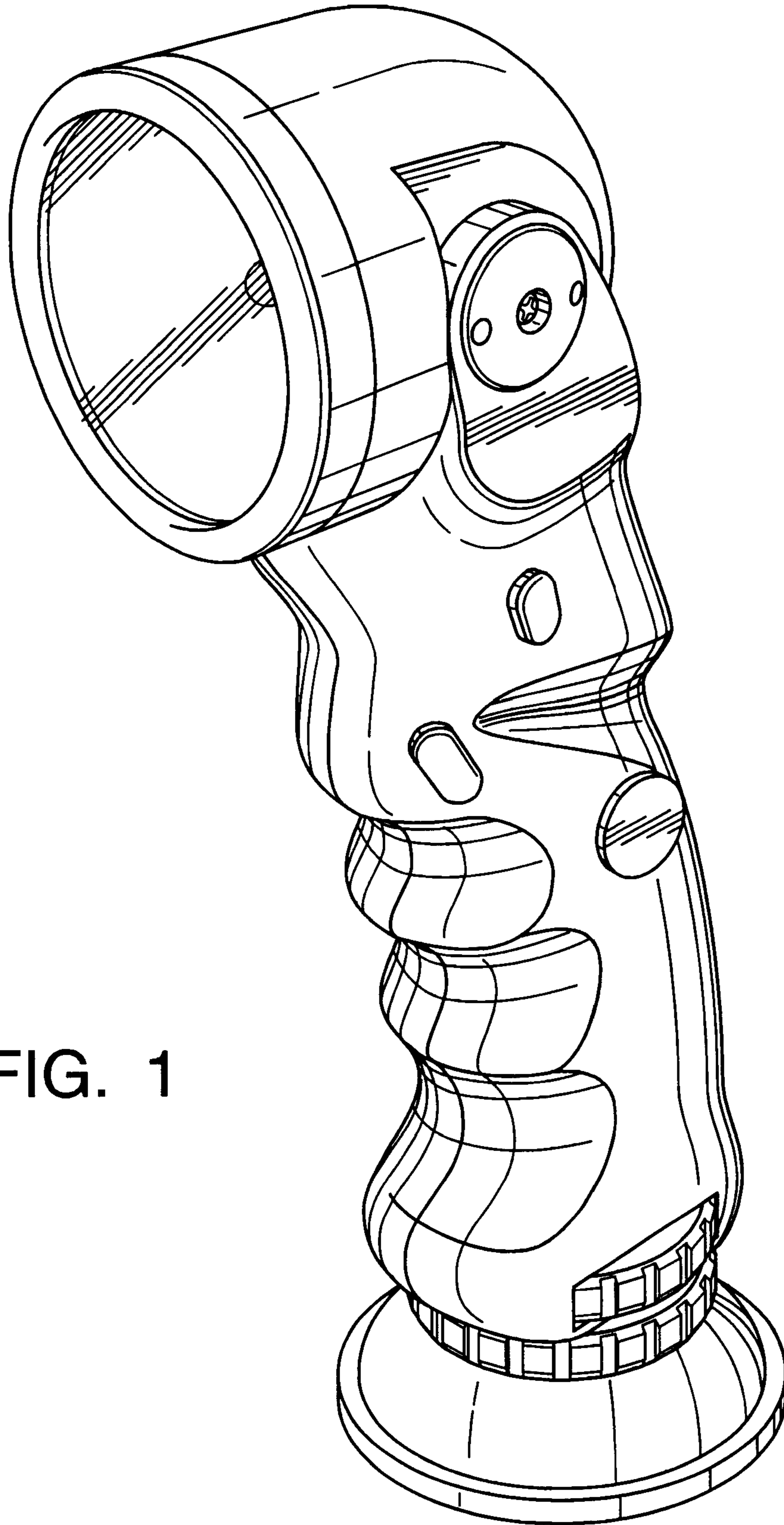


FIG. 1

FIG. 4

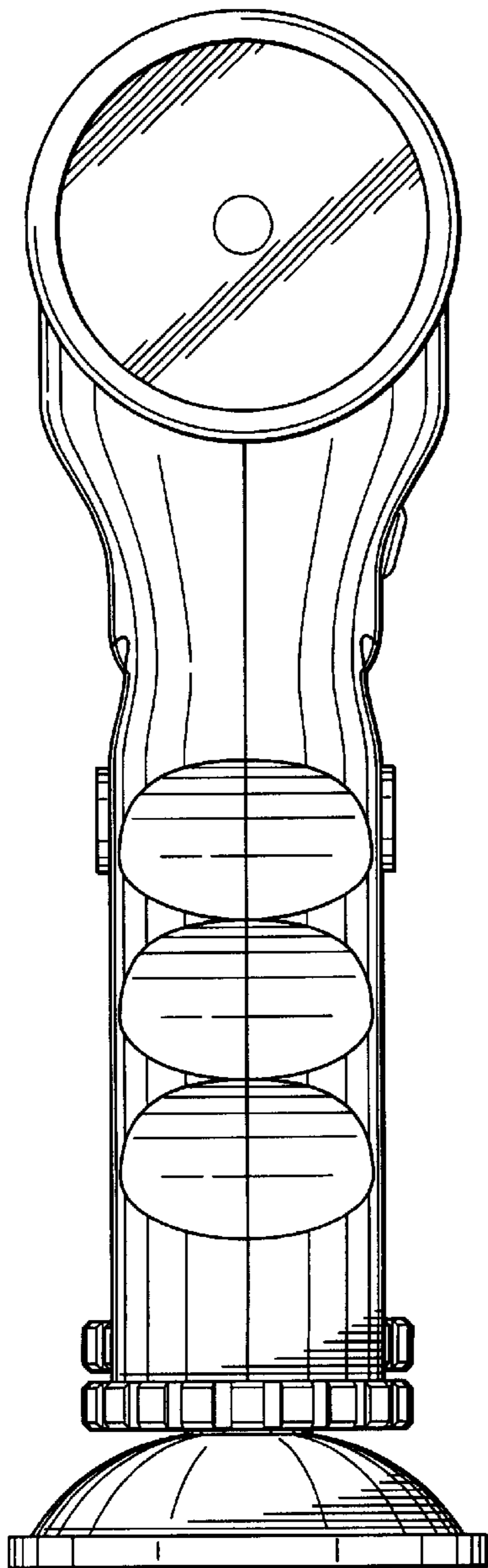
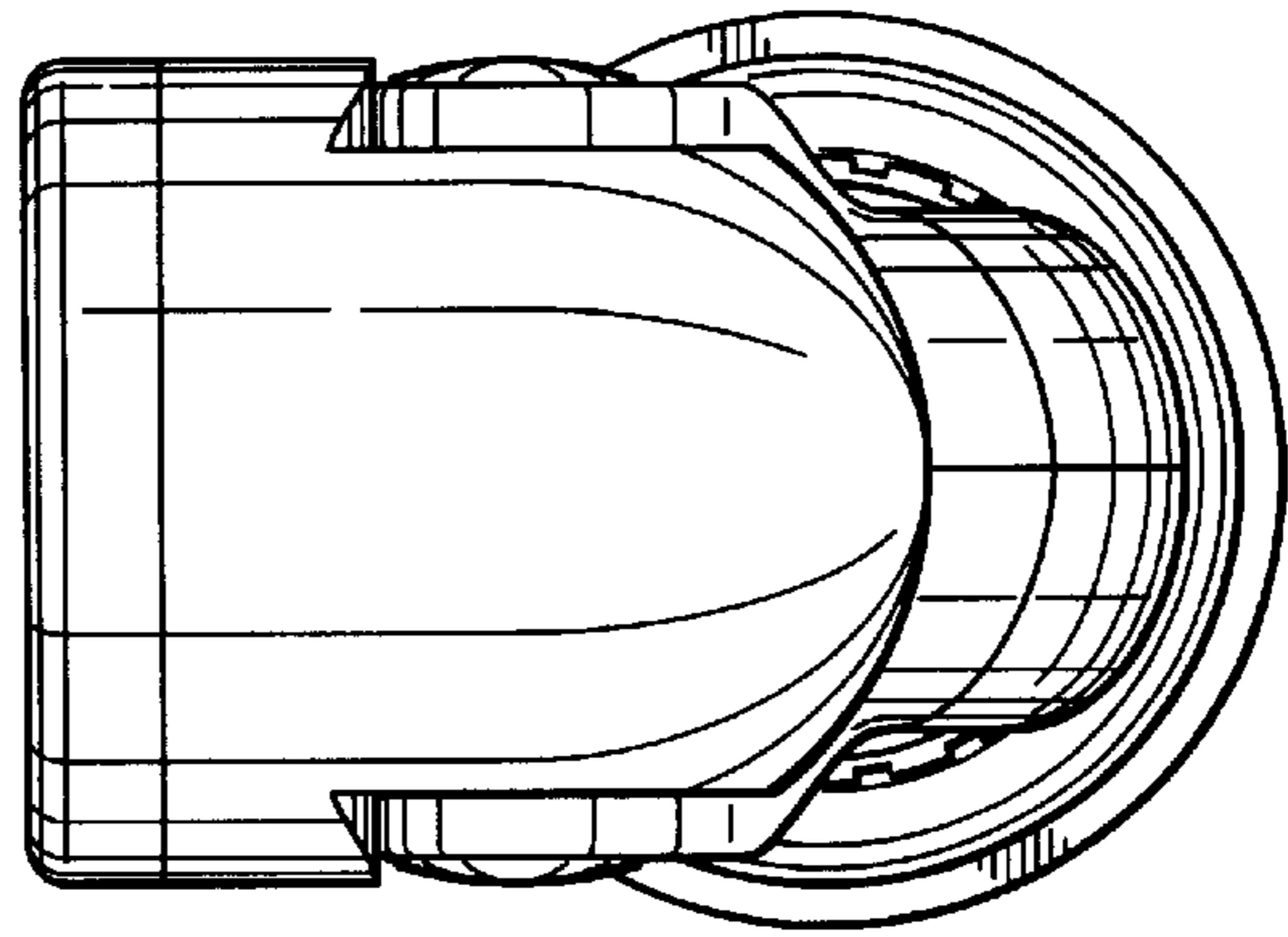


FIG. 3

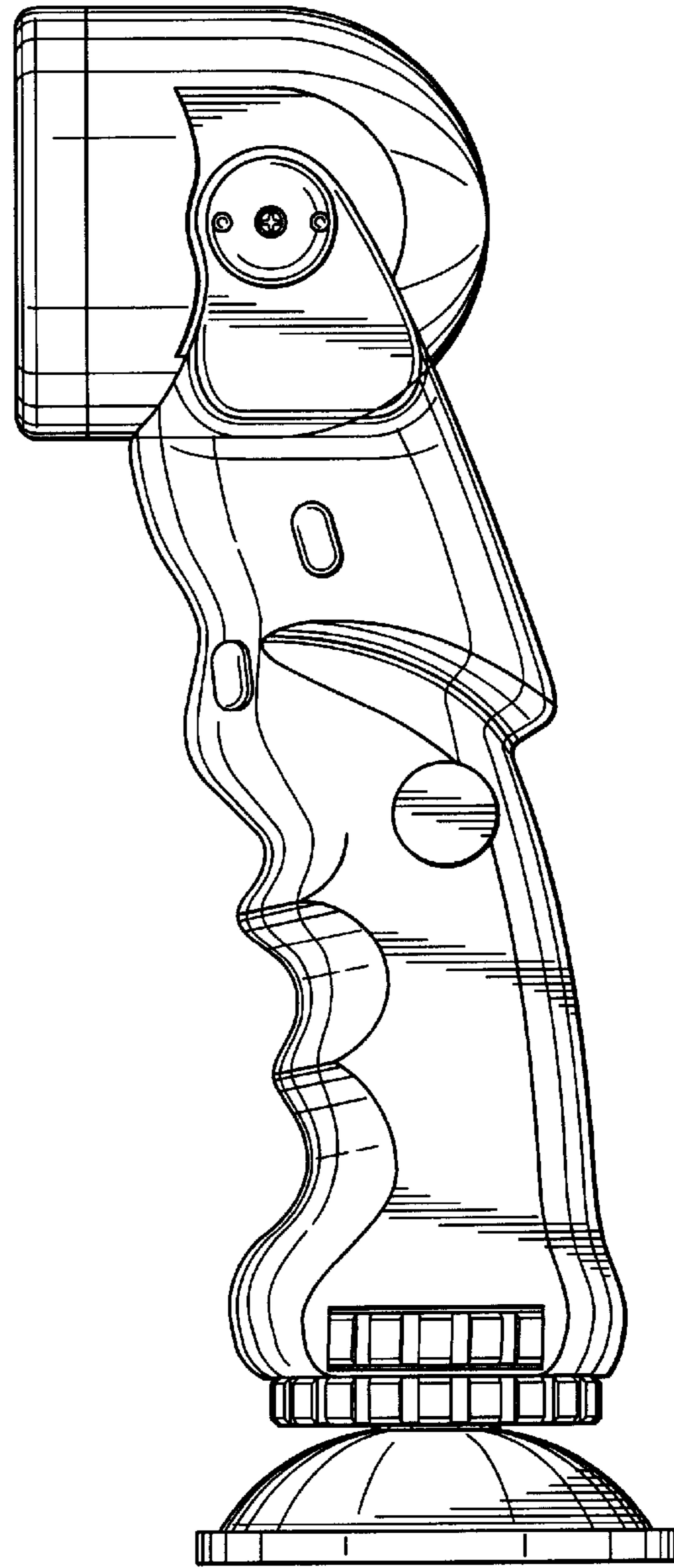


FIG. 2

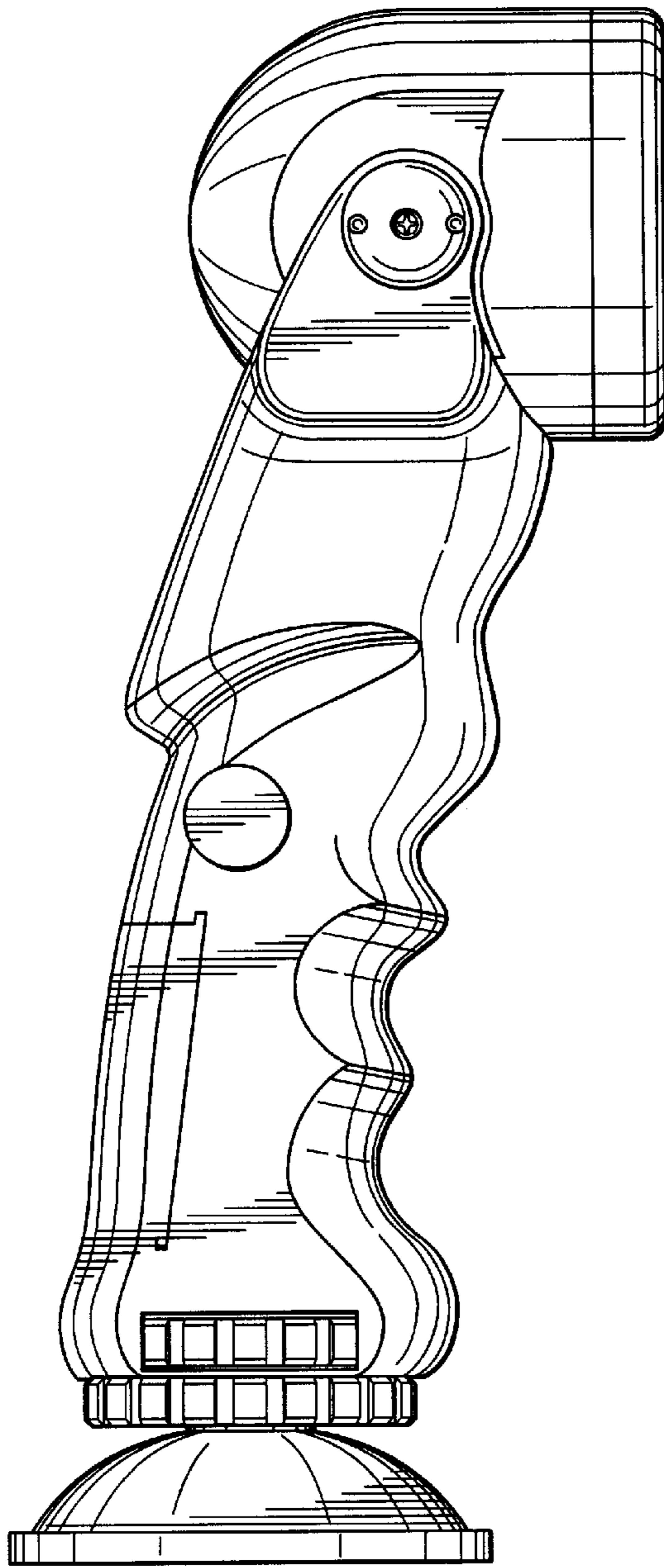


FIG. 5

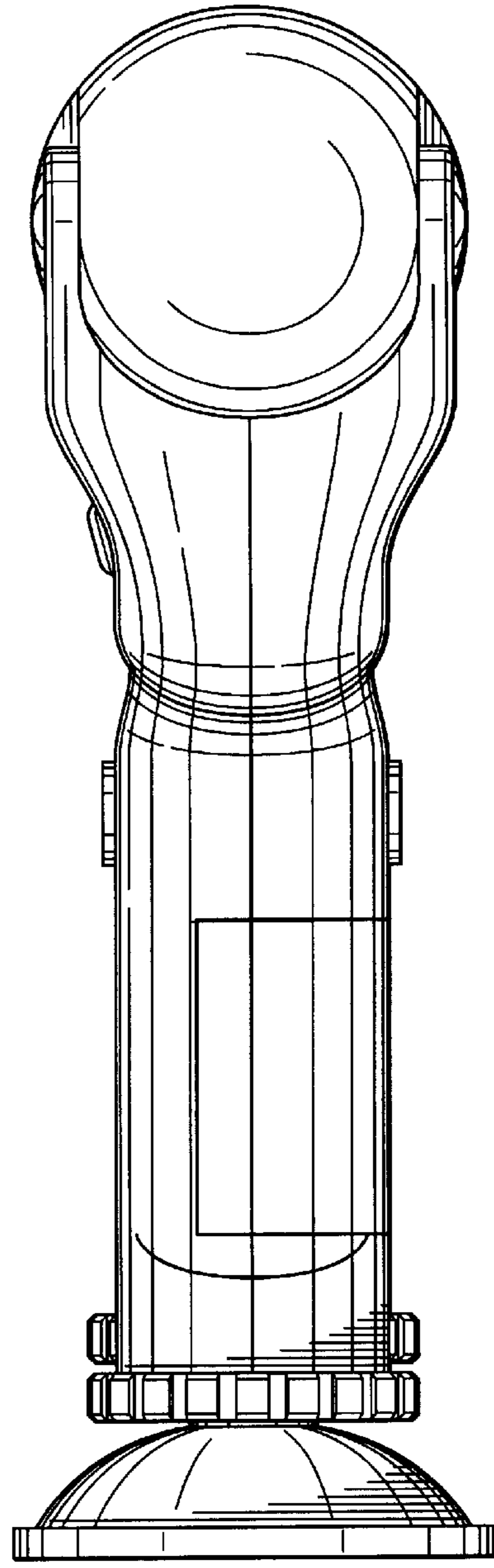


FIG. 6

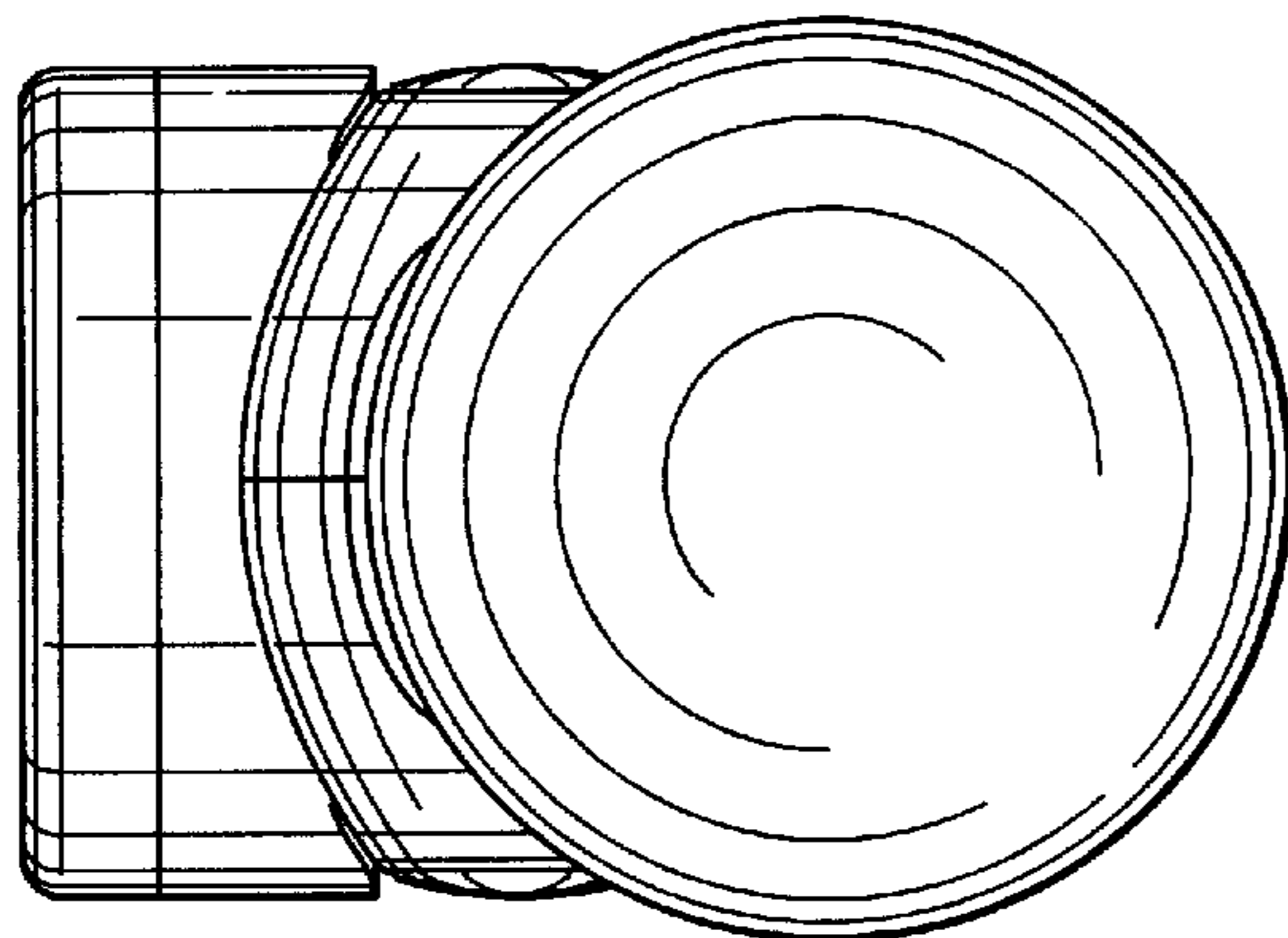


FIG. 7