



US00D420155S

United States Patent [19]

Kato et al.

[11] Patent Number: Des. 420,155

[45] Date of Patent: ** Feb. 1, 2000

[54] SELF-BALLASTED COMPACT FLUORESCENT LAMPS

[75] Inventors: Masayoshi Kato; Takeshi Matsumura; Shiro Iida, all of Osaka, Japan

[73] Assignee: Matsushita Electronics Corporation, Japan

[**] Term: 14 Years

[21] Appl. No.: 29/098,284

[22] Filed: Dec. 24, 1998

[51] LOC (7) Cl. 26-04

[52] U.S. Cl. D26/2

[58] Field of Search D26/1, 2, 3, 4, D26/26; 313/313, 315, 318, 493; 315/52, 53, 56, 57

97 301533 2/1998 China .
 97 301683 2/1998 China .
 97 301724 2/1998 China .
 97 301725 2/1998 China .
 97 302023 2/1998 China .
 77685 6/1979 France .
 631924 8/1984 Japan .
 631926 8/1984 Japan .
 631926 6/1985 Japan .
 8-255592 10/1996 Japan .
 2 035326 11/1993 United Kingdom .
 2 062441 1/1997 United Kingdom .
 2 066733 6/1997 United Kingdom .
 003871 6/1984 WIPO .
 011712 9/1988 WIPO .
 017294 8/1990 WIPO .
 042173 7/1997 WIPO .

Primary Examiner—Marcus A. Jackson
 Attorney, Agent, or Firm—Saidman DesignLaw Group

[56] **References Cited**

U.S. PATENT DOCUMENTS

D. 218,977 10/1970 Venema D26/2
 D. 276,186 10/1984 Nanb et al. D26/3
 D. 287,407 12/1986 Fujita et al. D26/3
 D. 354,145 1/1995 Matsumura et al. D26/3
 D. 355,495 2/1995 Matsumura et al. D26/3

FOREIGN PATENT DOCUMENTS

96 318751 1/1998 China .
 97 301218 2/1998 China .
 97 301221 2/1998 China .
 97 301222 2/1998 China .
 97 301223 2/1998 China .
 97 301224 2/1998 China .
 97 301318 2/1998 China .

[57] **CLAIM**

The ornamental design for a self-ballasted compact fluorescent lamps, as shown and described.

DESCRIPTION

FIG. 1 is a perspective view of the top, front and right side of a self-ballasted compact fluorescent lamps showing our new design;
 FIG. 2 is a front view thereof;
 FIG. 3 is a right side thereof;
 FIG. 4 is a top plan view thereof;
 FIG. 5 is a bottom view thereof;
 FIG. 6 is rear view thereof; and,
 FIG. 7 is a left side view thereof.

1 Claim, 2 Drawing Sheets

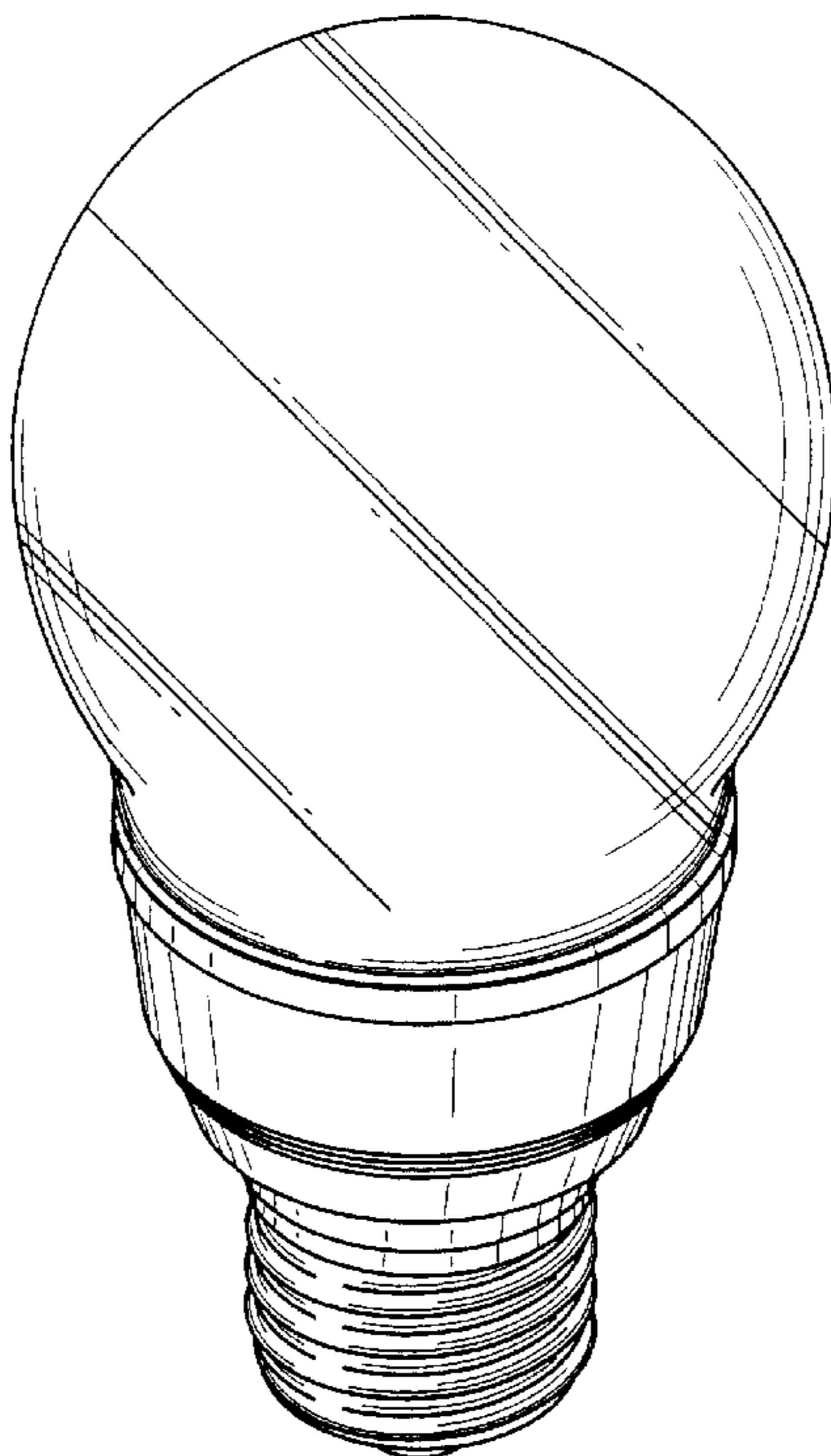


FIG. 1

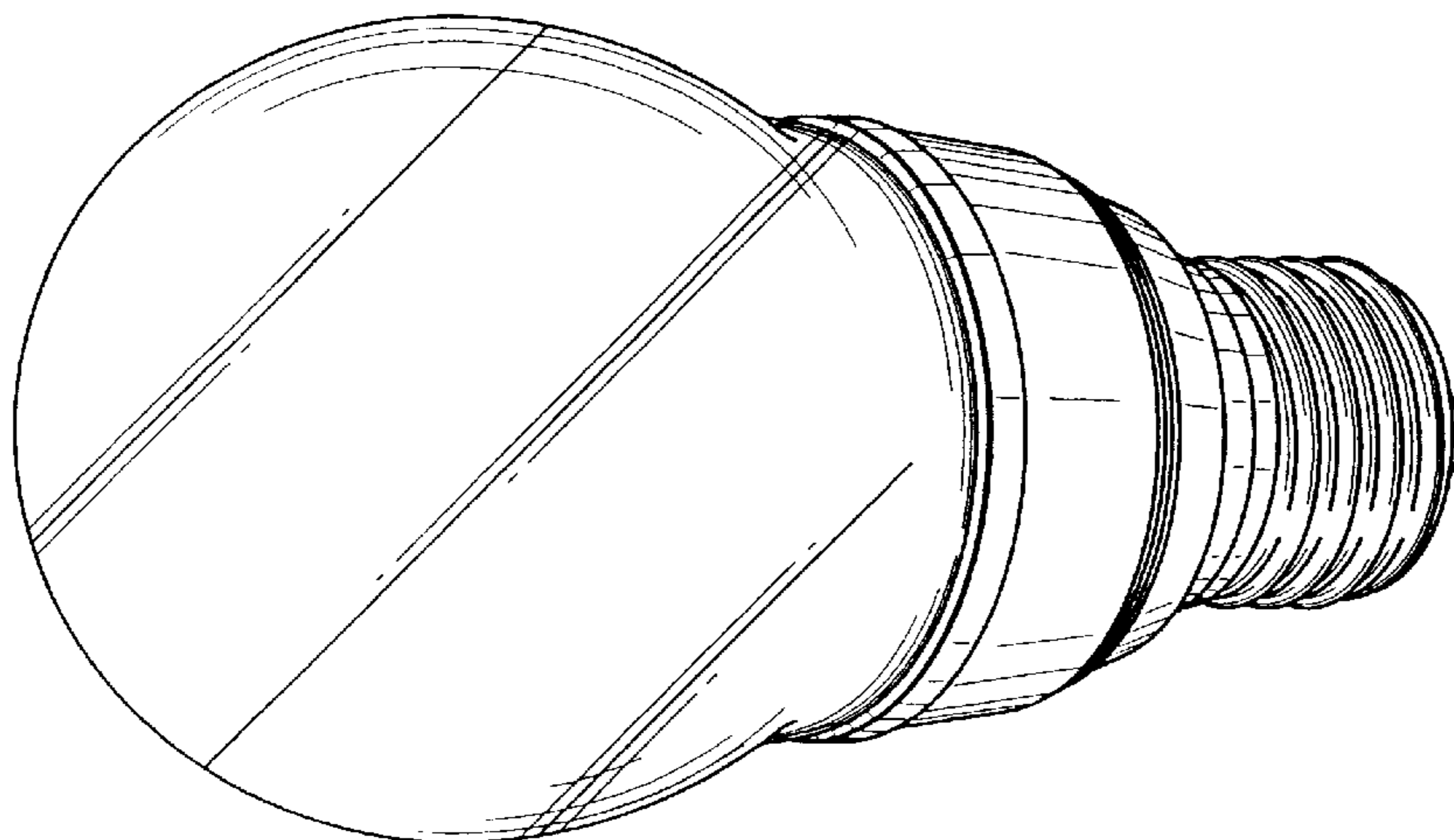


FIG. 2

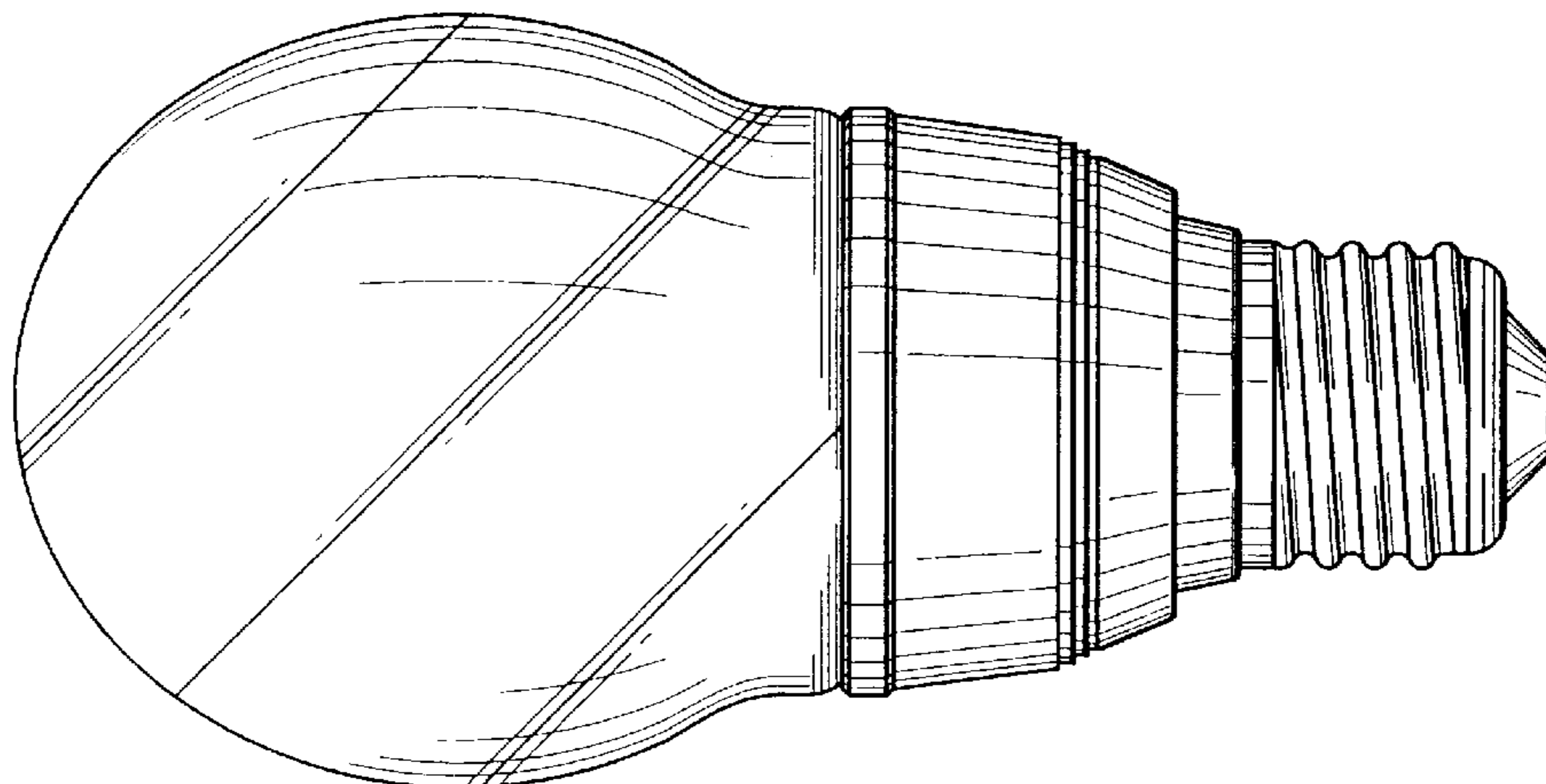


FIG. 3

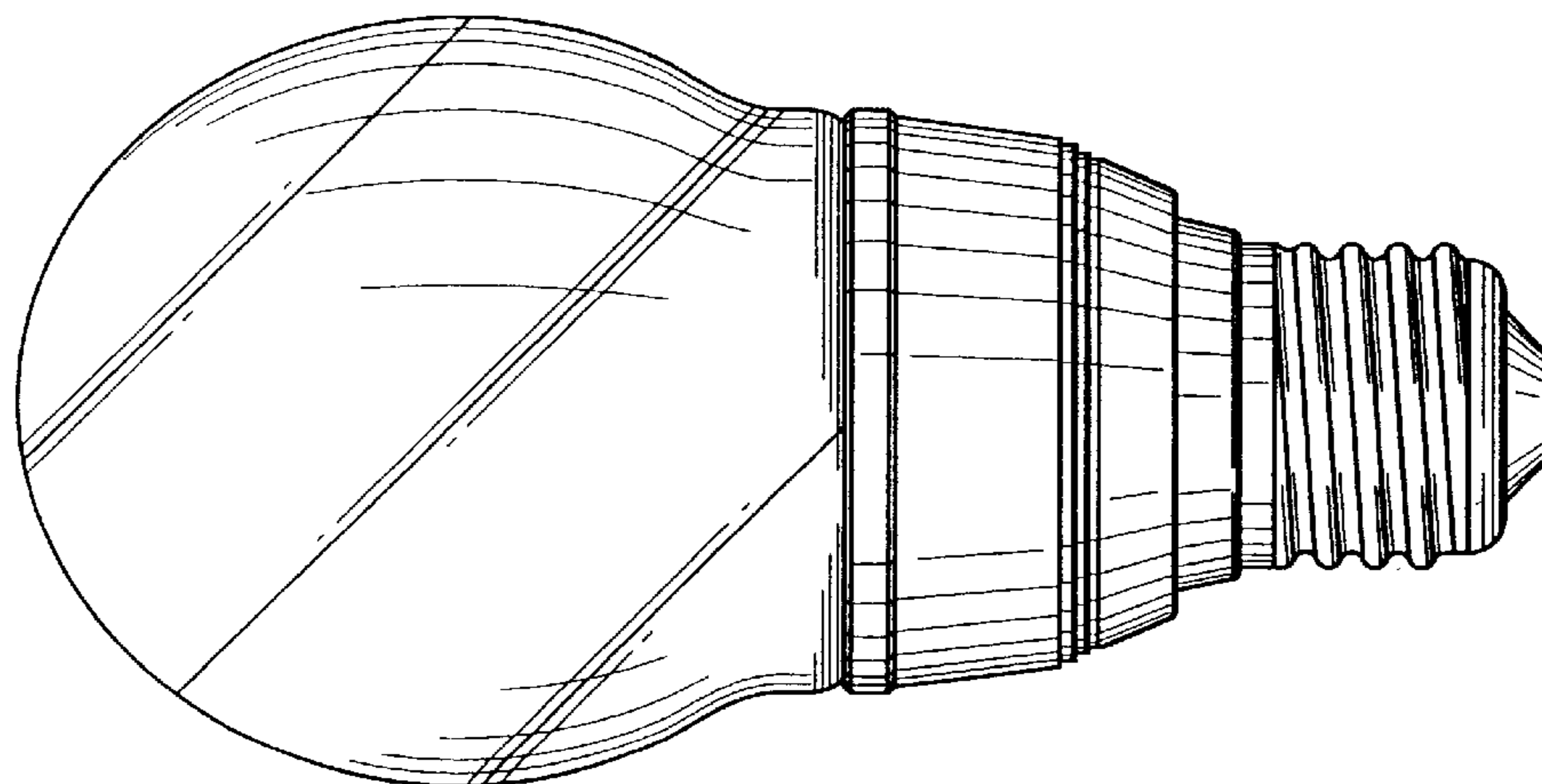


FIG. 4

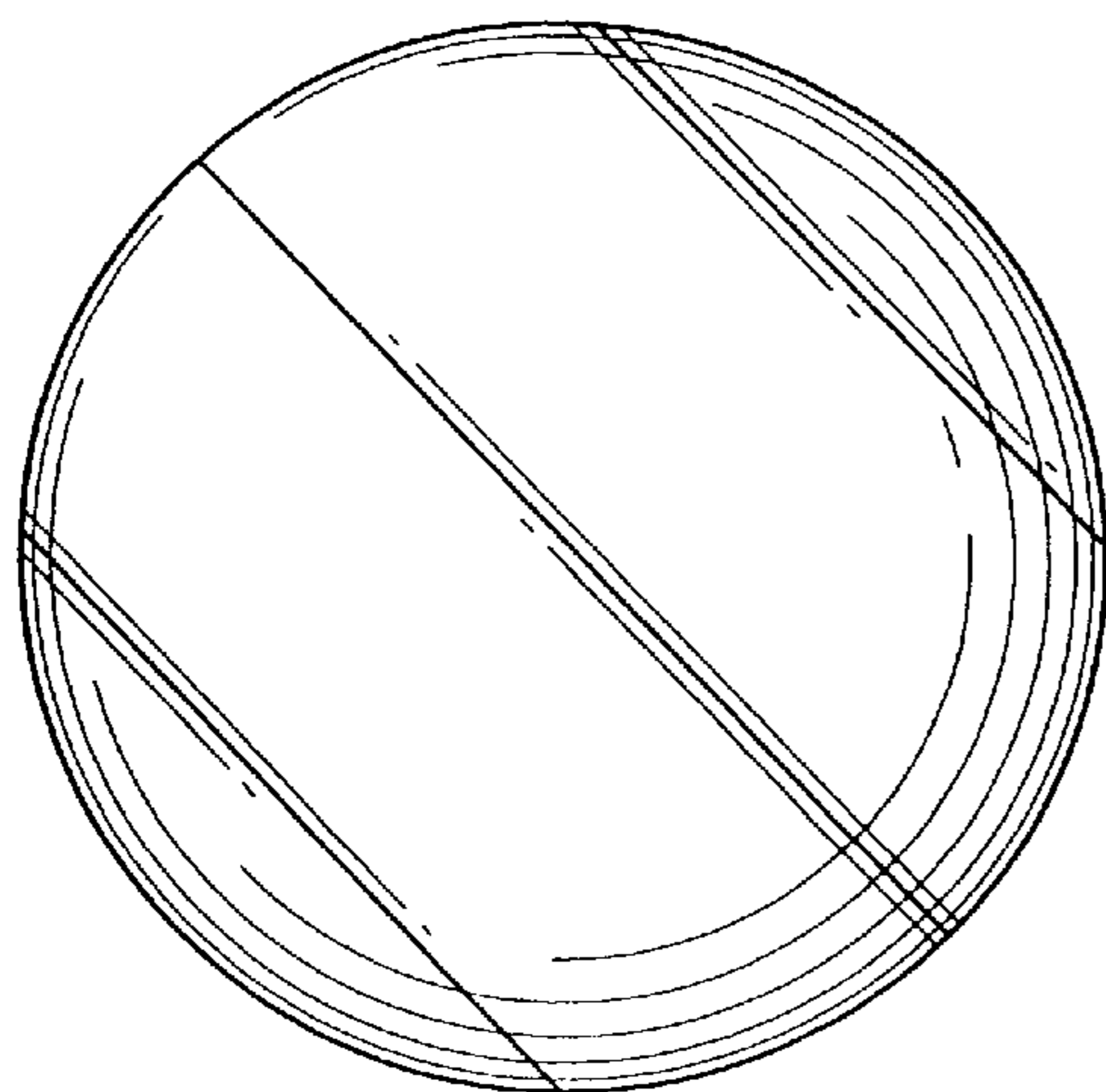


FIG. 5

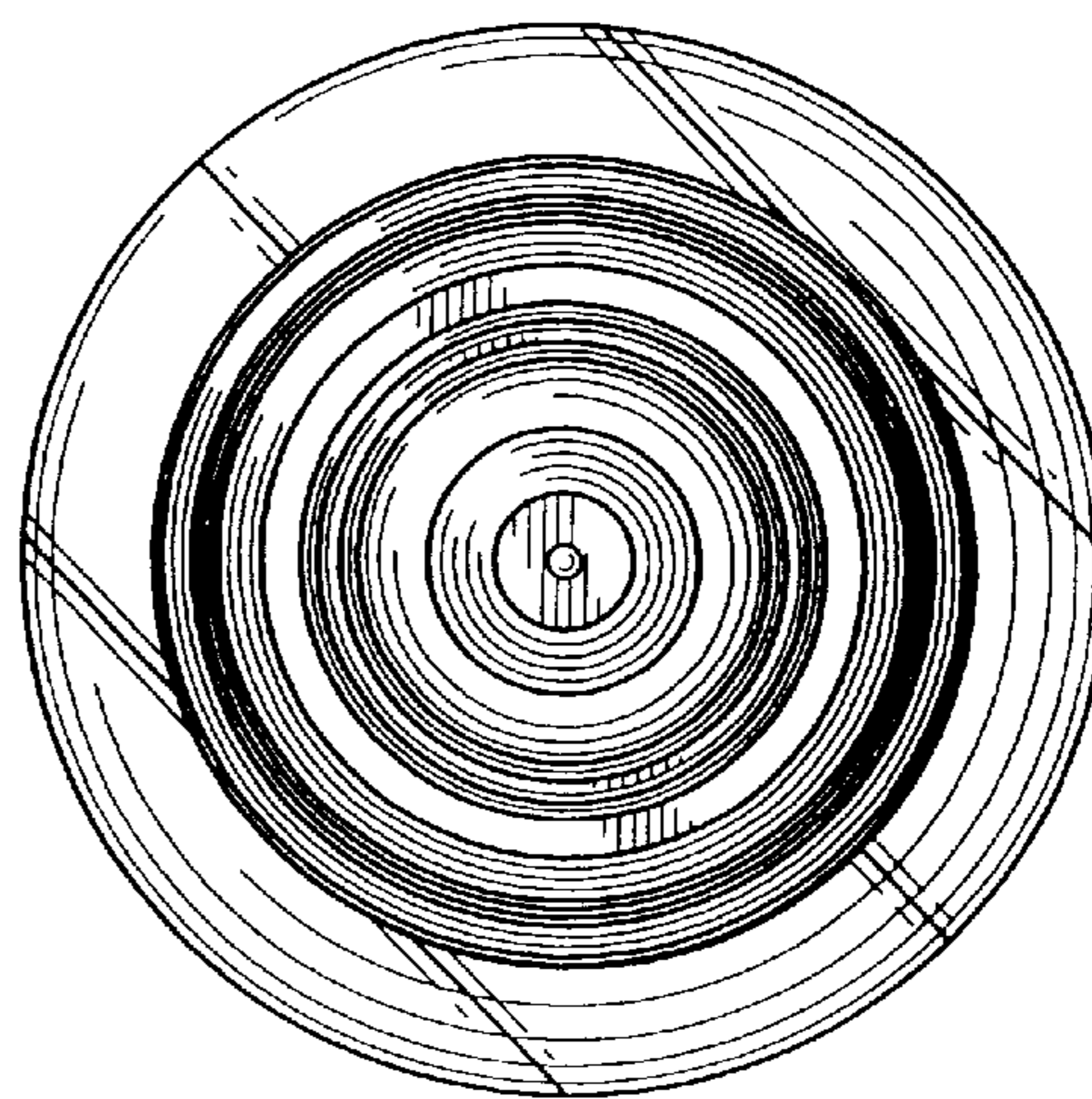


FIG. 6

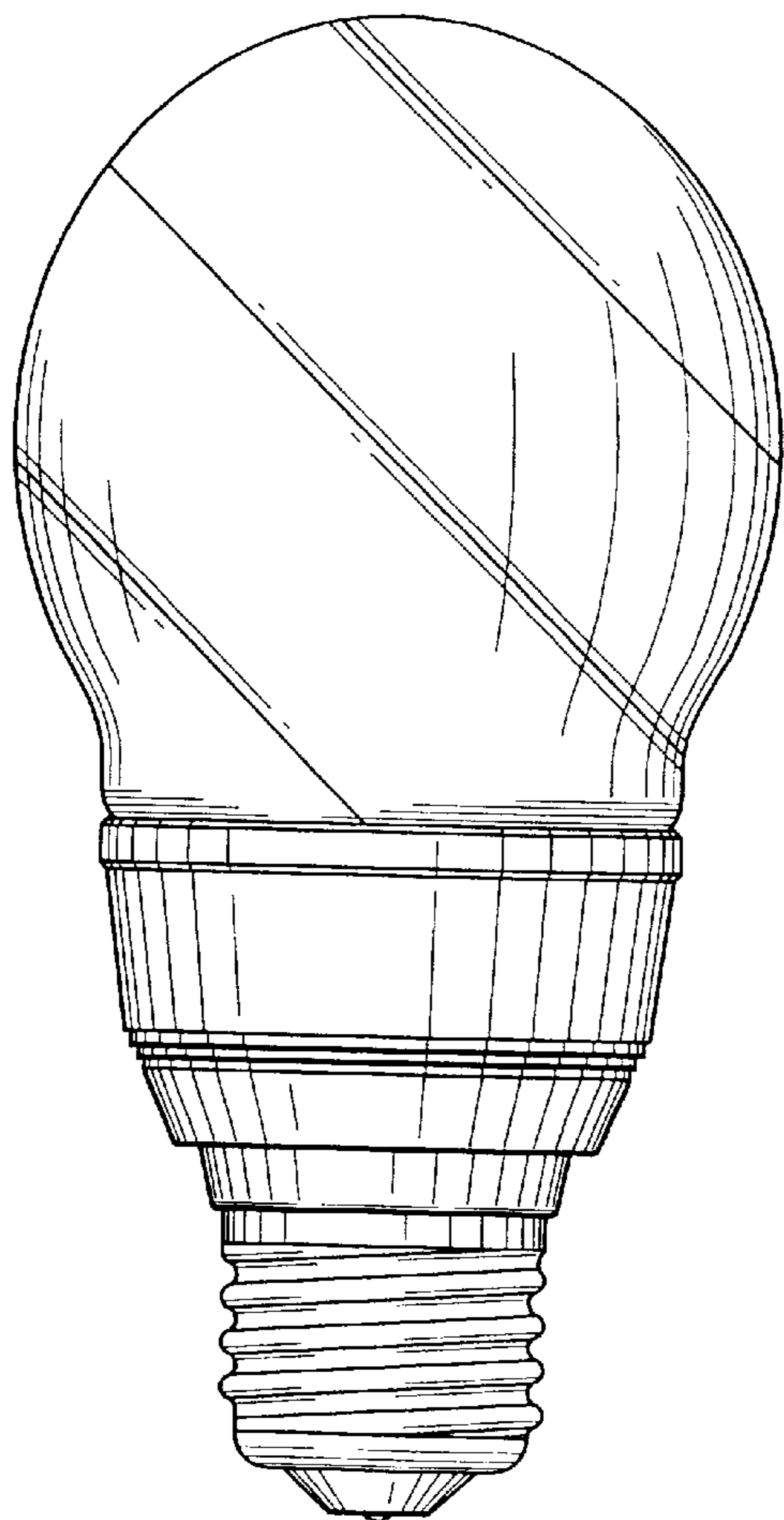


FIG. 7

