



US00D420147S

United States Patent [19]

Woller, Sr. et al.

[11] Patent Number: **Des. 420,147**

[45] Date of Patent: **** Feb. 1, 2000**

[54] **HUNTING LADDER**

[75] Inventors: **John A. Woller, Sr.; Ronald R. Woller**, both of Decatur, Ala.

[73] Assignee: **Summit Specialties, Inc.**, Decatur, Ala.

[**] Term: **14 Years**

[21] Appl. No.: **29/094,911**

[22] Filed: **Oct. 13, 1998**

| | | | |
|-----------|---------|------------------|---------|
| 3,302,749 | 2/1967 | Heaphy | 182/178 |
| 3,930,562 | 1/1976 | Zorn . | |
| 4,069,892 | 1/1978 | Lynne et al. . | |
| 4,258,828 | 3/1981 | Evans . | |
| 4,411,335 | 10/1983 | Forrester | 182/187 |
| 4,552,246 | 11/1985 | Thomas | 187/116 |
| 4,844,207 | 7/1989 | Andrews et al. . | |
| 4,892,170 | 1/1990 | O'Donnell . | |
| 5,040,635 | 8/1991 | Strickland | 187/160 |
| 5,080,193 | 1/1992 | Woof . | |
| 5,109,954 | 5/1992 | Skyba . | |
| 5,253,732 | 10/1993 | Daniels . | |

Related U.S. Application Data

[63] Continuation-in-part of application No. 08/758,276, Dec. 3, 1996, which is a continuation of application No. 08/341,061, Nov. 16, 1994, abandoned.

[51] **LOC (7) Cl.** **25-04**

[52] **U.S. Cl.** **D25/64**

[58] **Field of Search** D25/64, 62; 182/21, 182/22, 49, 48, 180, 194, 187, 189, 178, 154

Primary Examiner—Doris Clark
Attorney, Agent, or Firm—Arthur A. Gardner

[57] CLAIM

We claim the ornamental design for a hunting ladder, as shown and described.

DESCRIPTION

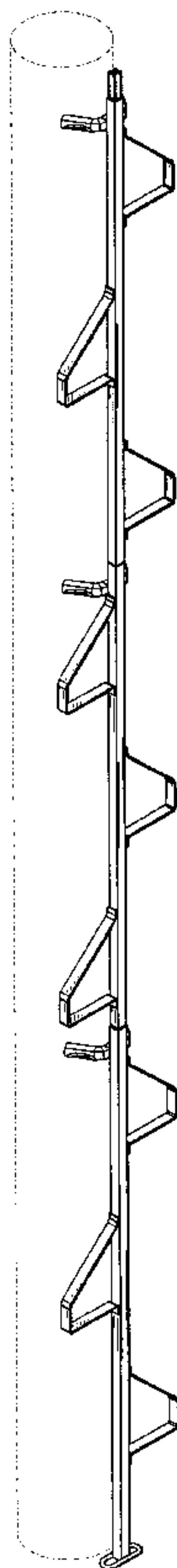
FIG. 1 is a perspective view of a hunting ladder showing our new design. The broken lines are for illustrative purposes only, and form no part of the claimed design. FIG. 2 is a front elevational view thereof; FIG. 3 is a left side elevational view thereof; FIG. 4 is a right side elevational view thereof; FIG. 5 is a rear elevational view thereof; FIG. 6 is a top plan view thereof; FIG. 7 is a bottom plan view thereof; and, FIG. 8 is an enlarged perspective view of one of the brace members.

[56] References Cited

U.S. PATENT DOCUMENTS

| | | | |
|------------|---------|---------------------|---------|
| 256,207 | 4/1882 | Gibbs . | |
| D. 394,715 | 5/1998 | Pearson | D25/64 |
| 591,418 | 10/1897 | Verne (Noyes) | 182/189 |
| 1,005,032 | 10/1911 | Hennessee . | |
| 1,231,037 | 6/1917 | McGaffee . | |
| 2,810,504 | 10/1957 | Pela . | |
| 3,116,808 | 1/1964 | Riley . | |

1 Claim, 2 Drawing Sheets



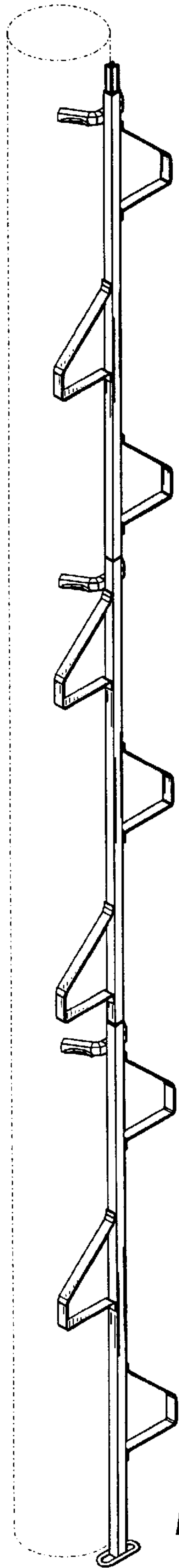


FIG. 1

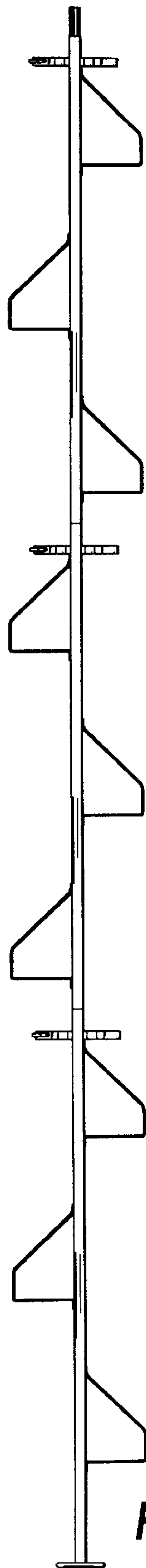


FIG. 2



FIG. 3

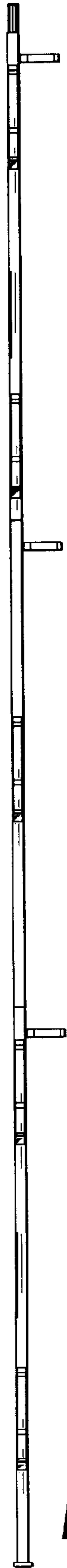


FIG. 4

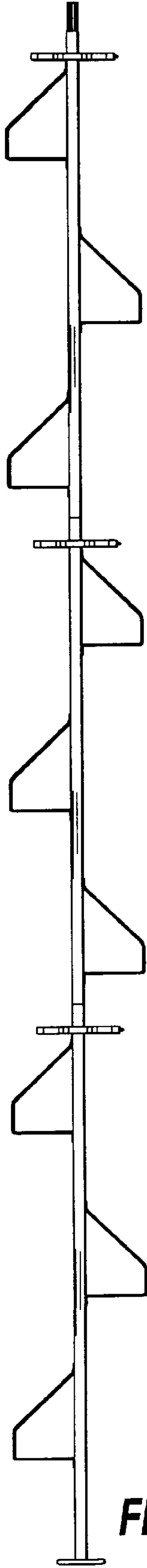


FIG. 5



FIG. 6



FIG. 7

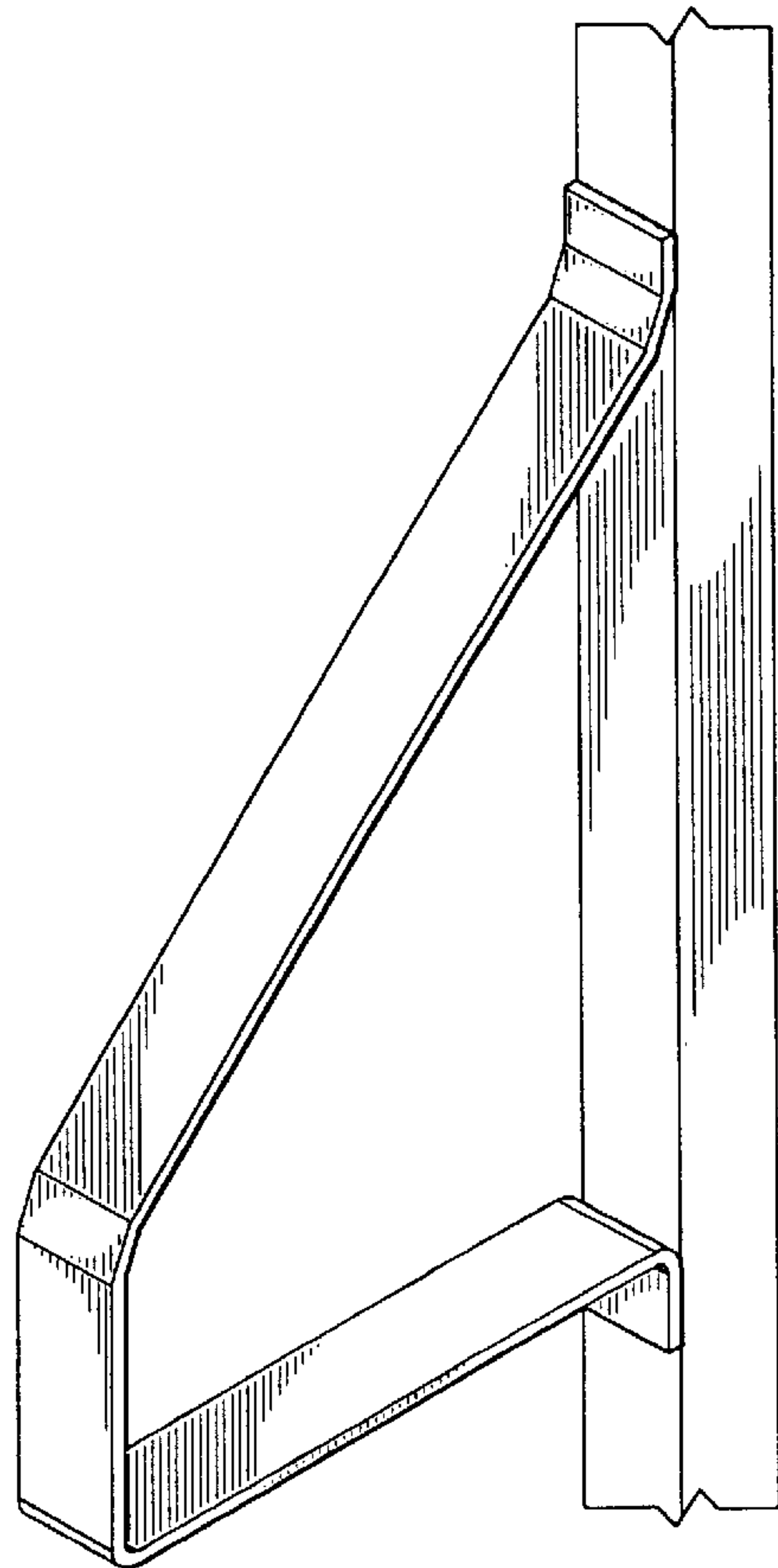


FIG. 8