



US00D420139S

# United States Patent [19]

[11] Patent Number: **Des. 420,139**

**Ballin et al.**

[45] Date of Patent: **\*\* Feb. 1, 2000**

[54] **MULTI-SPECIMEN INCUBATION PLATE**

[75] Inventors: **Benny Ballin**, Ganey Tikva; **Amir Geron**, Givatayim; **Nir Barkai**, Omer; **Anat Weinstein**, Haifa, all of Israel

[73] Assignee: **Combact Diagnostic Systems Ltd.**, Herzliya, Israel

[\*\*] Term: **14 Years**

[21] Appl. No.: **29/098,309**

[22] Filed: **Dec. 23, 1998**

[30] **Foreign Application Priority Data**

Jun. 25, 1998 [IL] Israel ..... 30057

[51] **LOC (7) Cl.** ..... **24-02**

[52] **U.S. Cl.** ..... **D24/216; D24/224; D24/230**

[58] **Field of Search** ..... D24/224, 226, D24/216, 230; 435/288.4, 305.1, 305.2, 305.3, 305.4; 422/102, 104, 101

[56] **References Cited**

**U.S. PATENT DOCUMENTS**

5,130,105 7/1992 Carter et al. .... D24/224 X  
5,897,837 4/1999 Mizuno ..... 422/100

*Primary Examiner*—Stella Reid  
*Assistant Examiner*—I Simmons  
*Attorney, Agent, or Firm*—Nath & Associates; Gary M. Nath; Harold L. Novick

[57] **CLAIM**

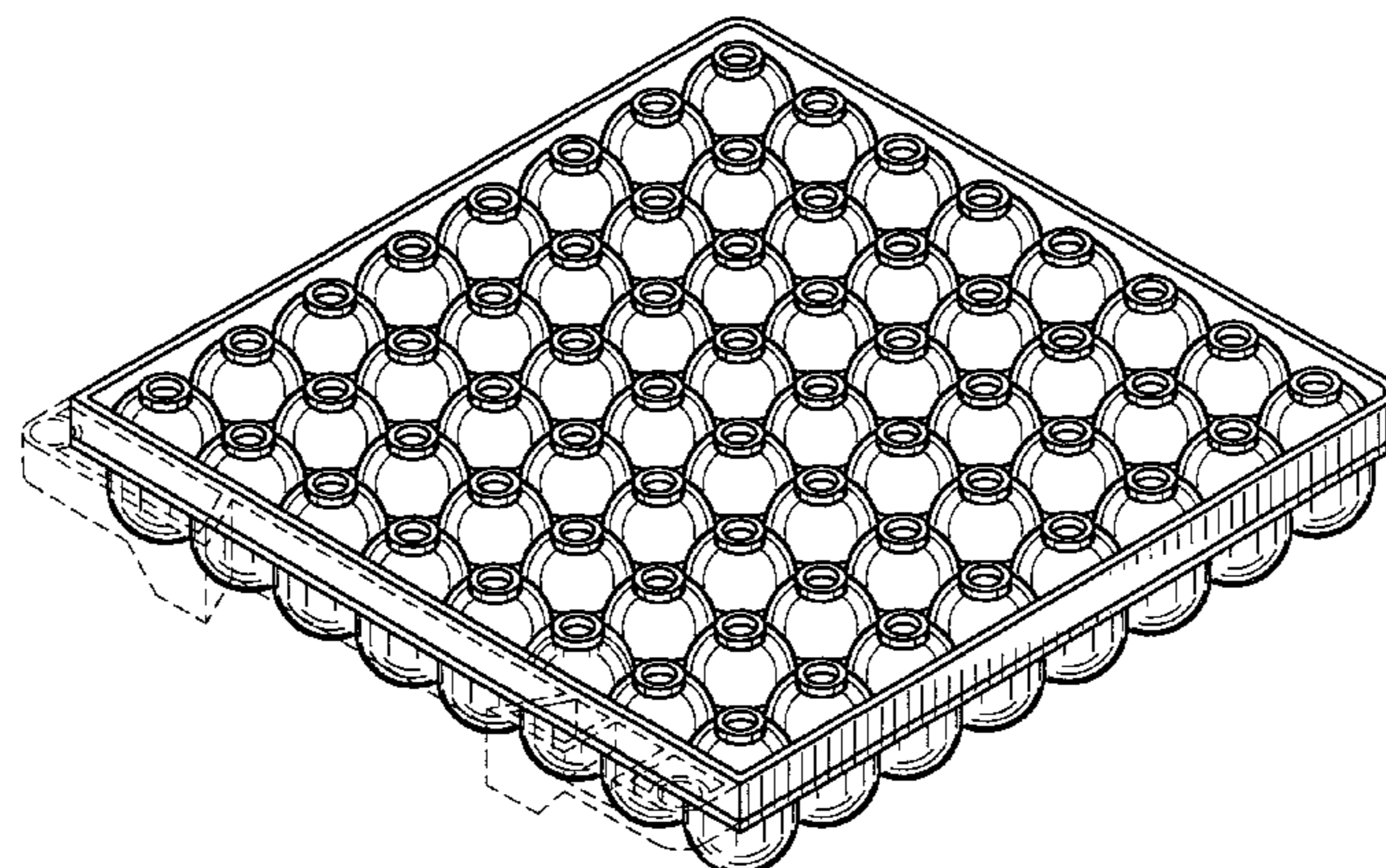
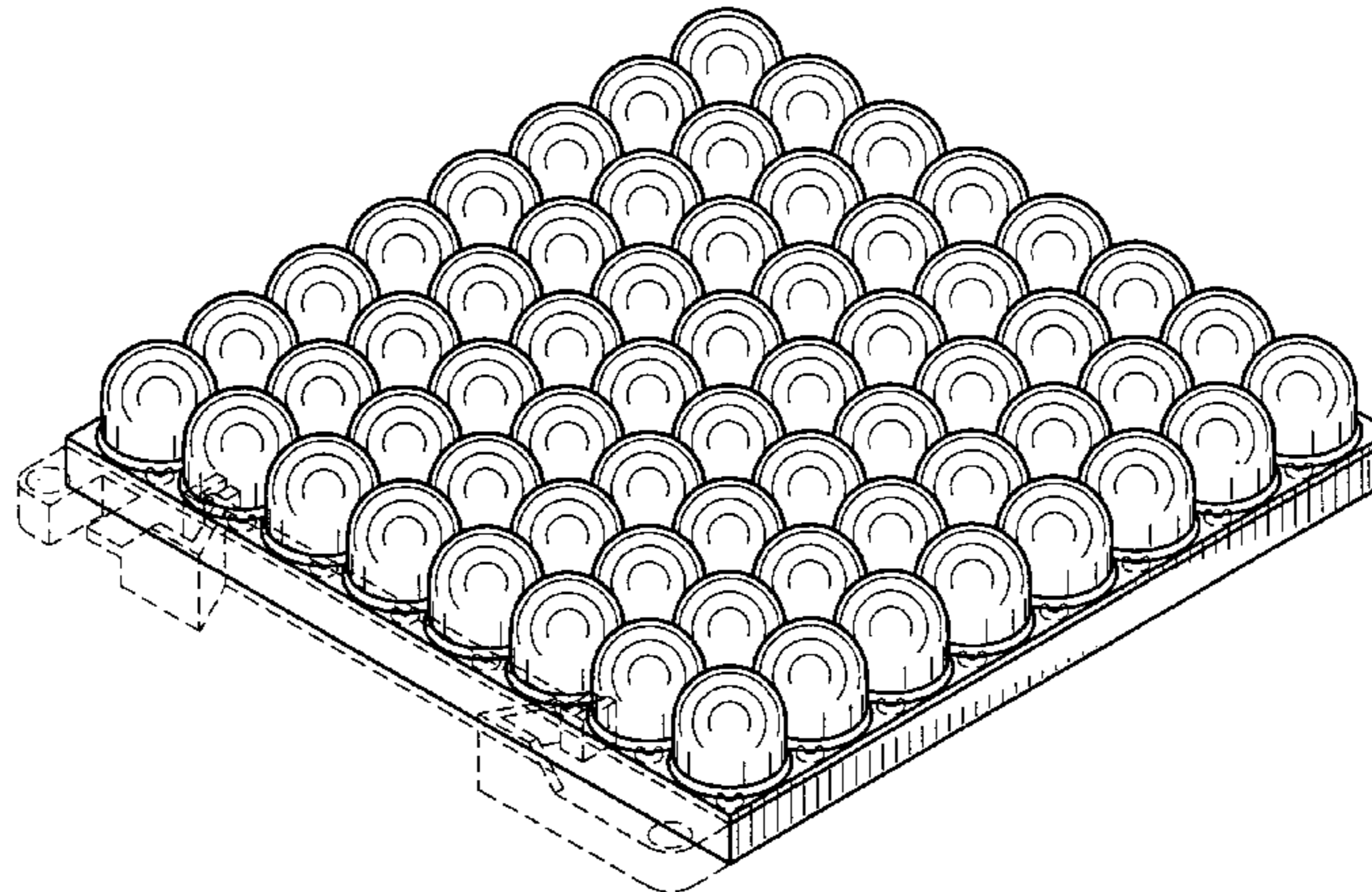
The ornamental design for a multi-specimen incubation plate, as shown and described.

**DESCRIPTION**

FIG. 1 is a rear view of a multi-specimen incubation plate; FIG. 2 is a left side view of a multi-specimen incubation plate; FIG. 3 is a front view of a multi-specimen incubation plate; FIG. 4 is a right side view of a multi-specimen incubation plate; FIG. 5 is a top view of a multi-specimen incubation plate; FIG. 6 is a bottom view of a multi-specimen incubation plate; FIG. 7 is a top perspective view of a multi-specimen incubation plate; and, FIG. 8 is a bottom perspective view of a multi-specimen incubation plate.

The broken line showing in FIGS. 1–8 is for illustrative purposes only and forms no part of the claimed design.

**1 Claim, 3 Drawing Sheets**



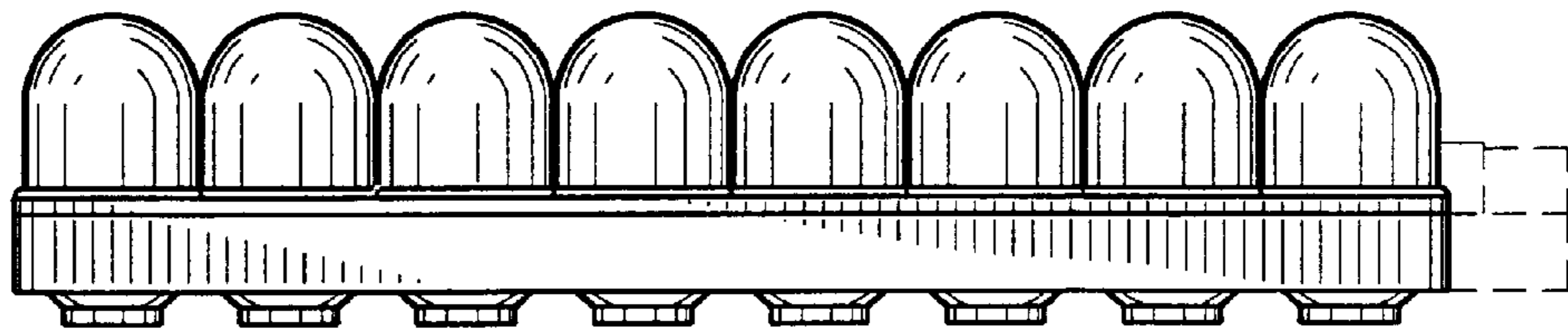


FIG. 1

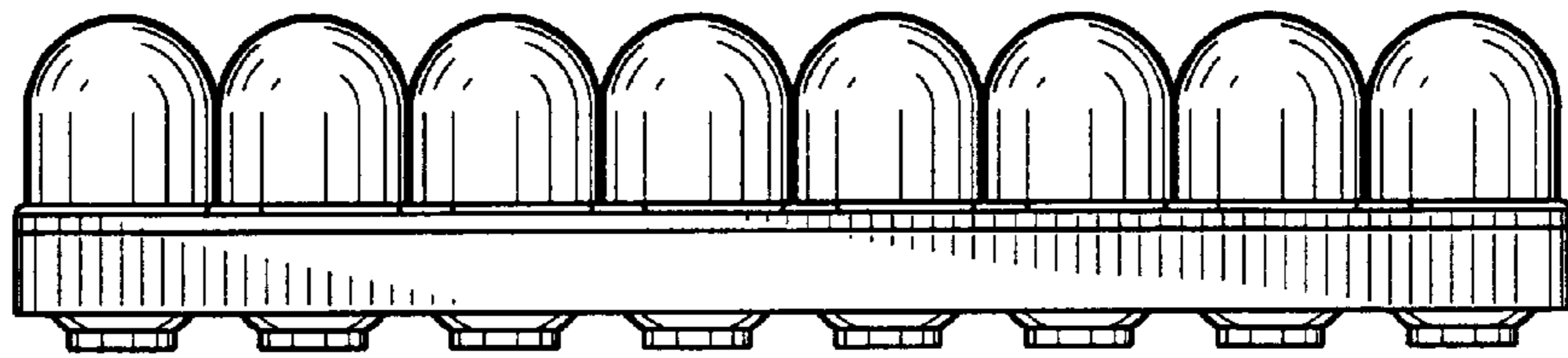


FIG. 2

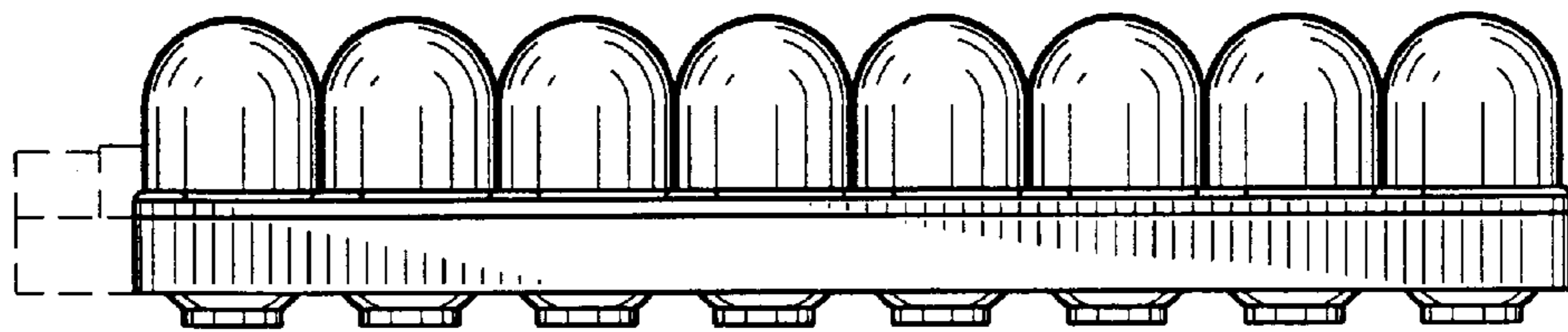


FIG. 3

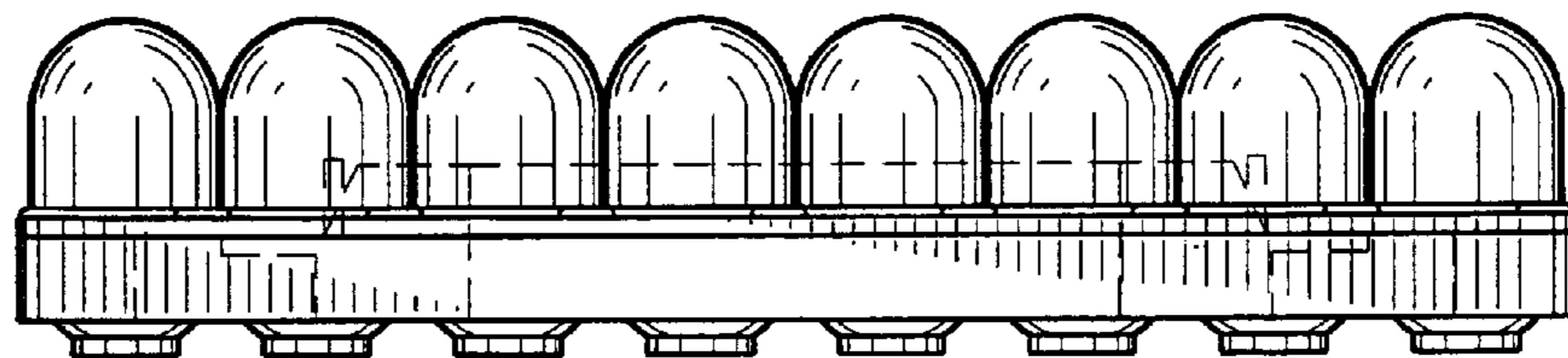


FIG. 4

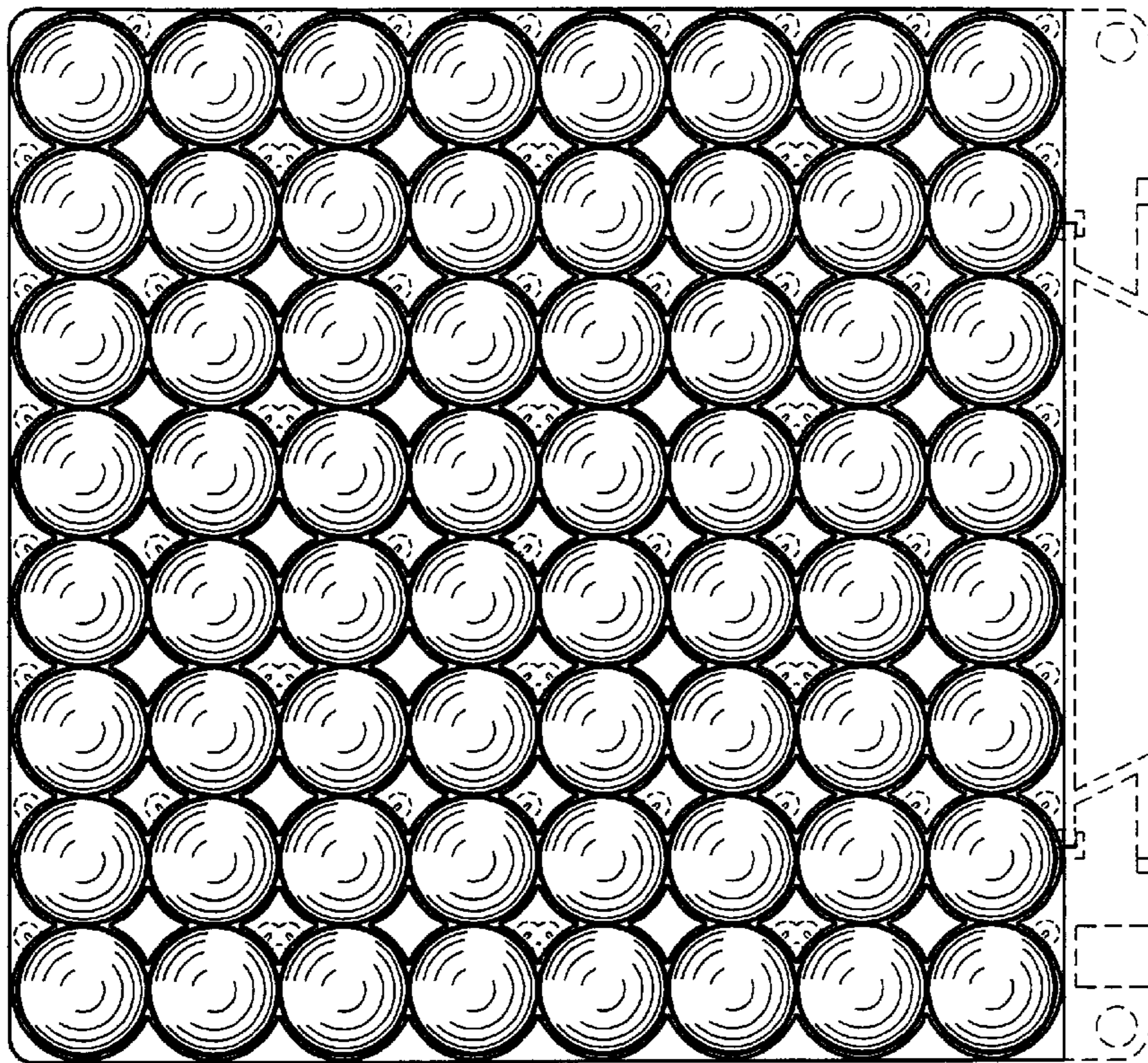


FIG. 5

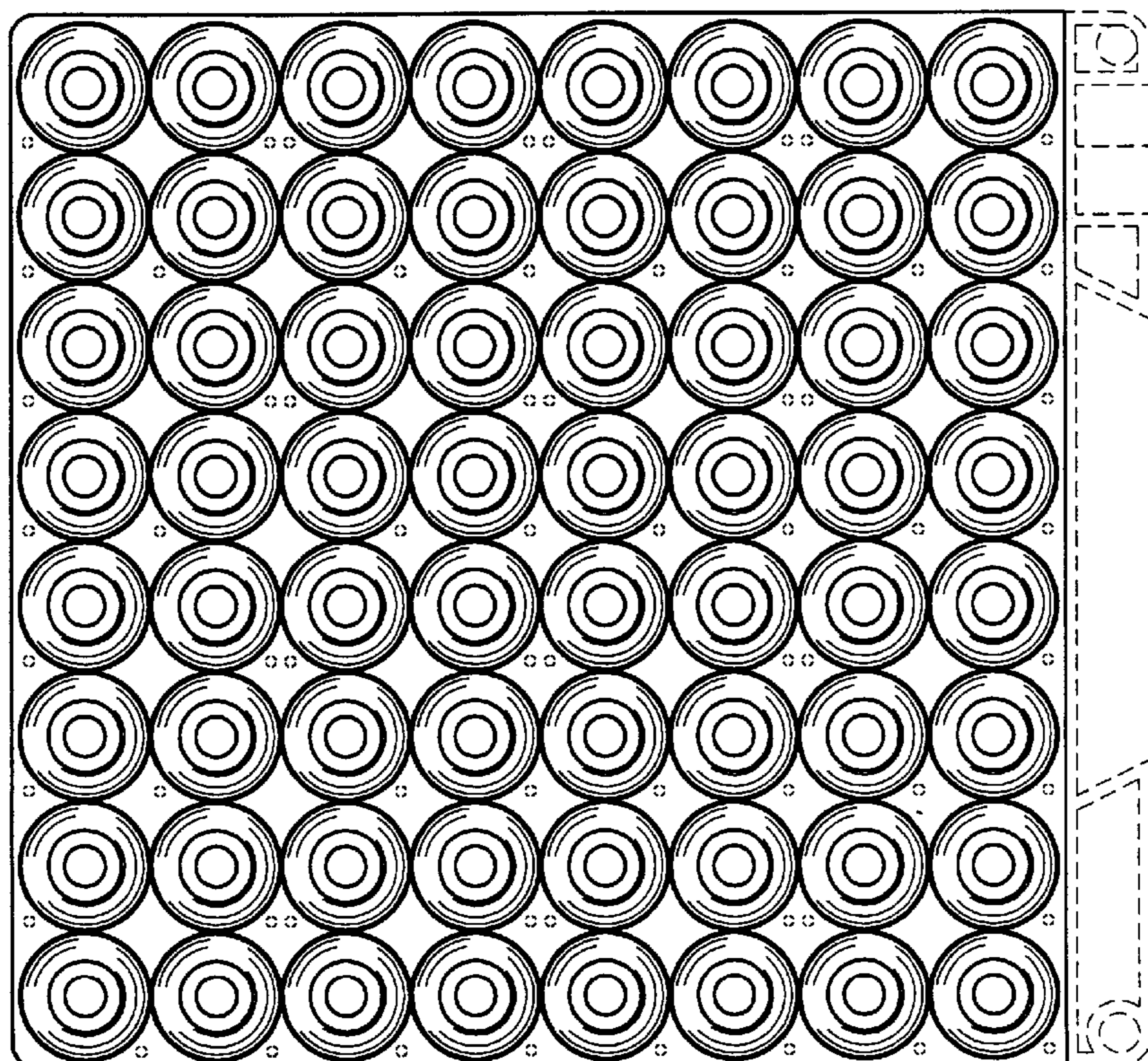


FIG. 6

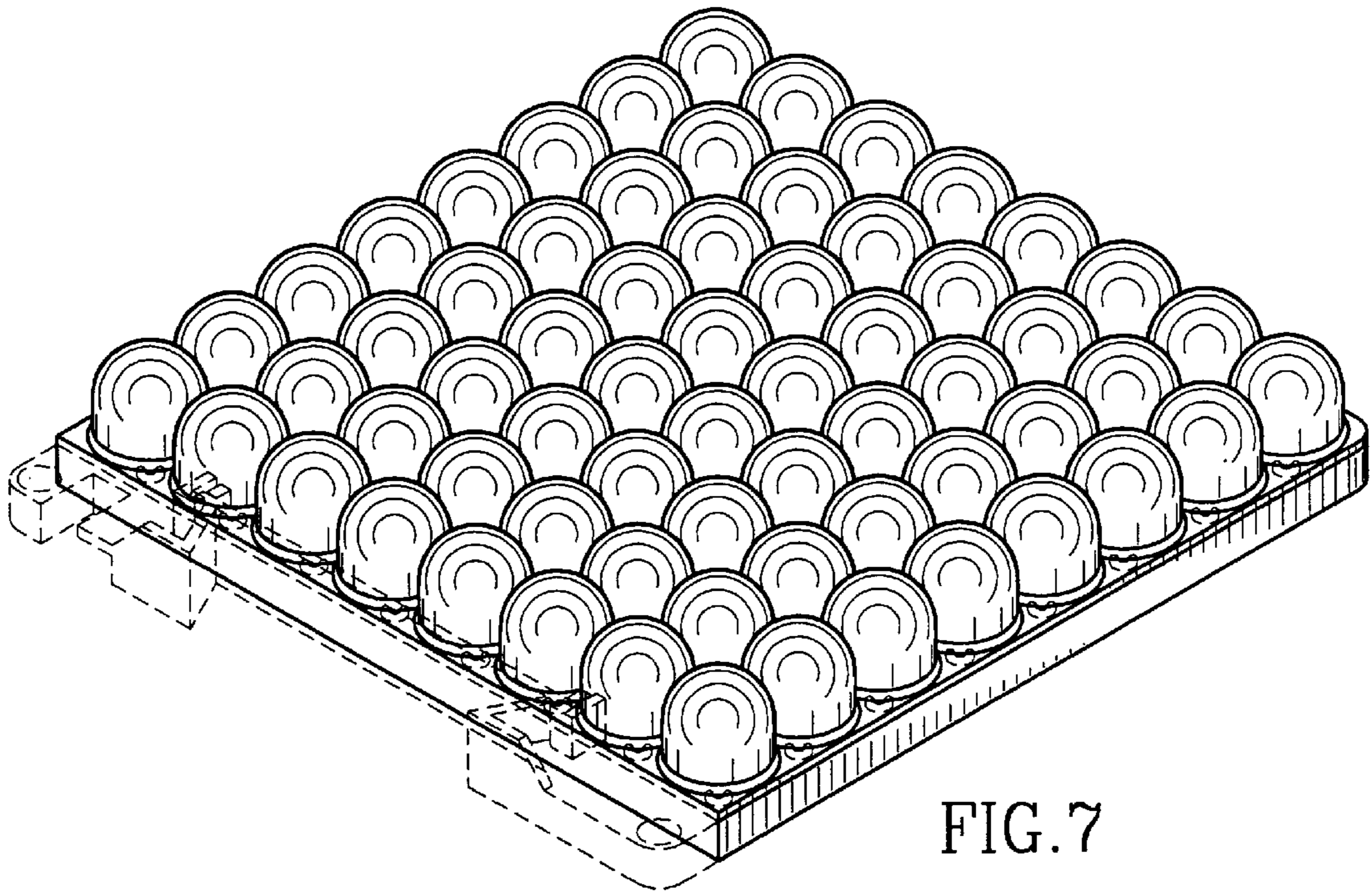


FIG. 7

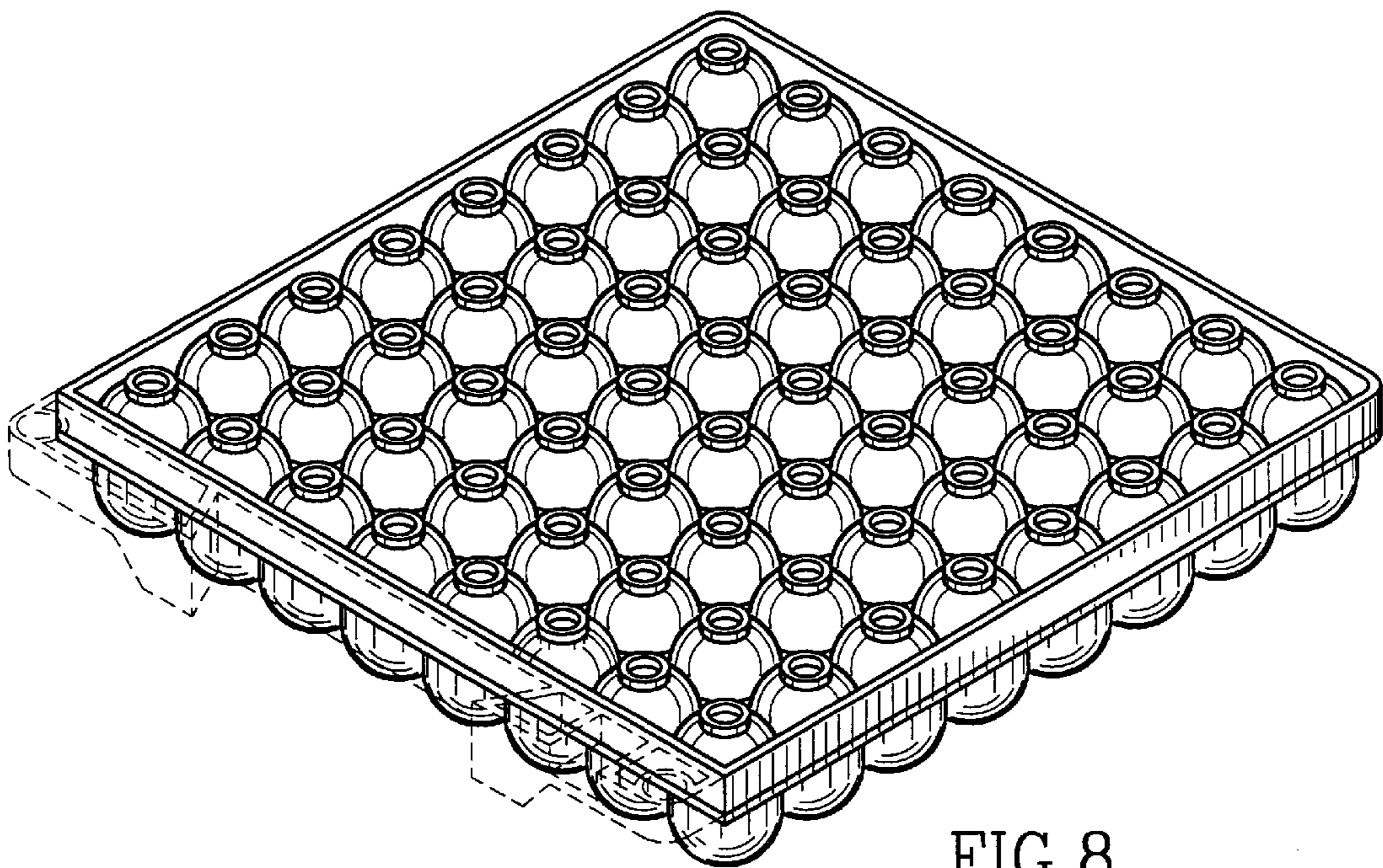


FIG. 8