



US00D420132S

United States Patent [19]

[11] Patent Number: Des. 420,132

Bucholz et al.

[45] Date of Patent: ** Feb. 1, 2000

[54] DRILL GUIDE

[75] Inventors: **Richard D. Bucholz**, St. Louis, Mo.; **Kevin T. Foley**, Memphis, Tenn.; **Kurt R. Smith**, Broomfield, Colo.; **Todd Pope**, San Francisco; **Udo Wiedenmaier**, San Mateo, both of Calif.

[73] Assignee: **Surgical Navigation Technologies**, Broomfield, Colo.

[**] Term: **14 Years**

[21] Appl. No.: **29/079,326**

[22] Filed: **Nov. 3, 1997**

Related U.S. Application Data

[63] Continuation of application No. 29/053,746, Apr. 29, 1996, abandoned.

[51] **LOC (7) Cl.** **24-02**

[52] **U.S. Cl.** **D24/140**

[58] **Field of Search** D24/140, 130, D24/146; D15/132, 138; 606/96, 87, 88, 102, 103

[56] References Cited

U.S. PATENT DOCUMENTS

D. 233,265	10/1974	Walchle	D83/12 R
D. 291,246	8/1987	Lower	D24/140
D. 349,573	8/1994	Bookwalter et al.	D24/128
D. 353,668	12/1994	Banks et al.	D24/112
D. 357,534	4/1995	Hayes	D24/140
D. 359,557	6/1995	Hayes	D24/140
3,963,028	6/1976	Cooley et al.	128/276
4,182,312	1/1980	Mushabac	433/68
4,465,069	8/1984	Barbier et al.	128/303 B
4,583,538	4/1986	Onik et al.	128/303 B
4,723,544	2/1988	Moore et al.	128/303 B
4,733,969	3/1988	Case et al.	356/375
4,809,694	3/1989	Ferrara	128/303 B
4,841,967	6/1989	Chang et al.	128/303 B

4,875,478	10/1989	Chen	128/303 B
4,931,056	6/1990	Ghajar et al.	606/130
5,078,140	1/1992	Kwoh	128/653.1
5,154,720	10/1992	Trott et al.	606/96
5,198,877	3/1993	Schulz	.	
5,251,127	10/1993	Raab	364/413.13
5,305,203	4/1994	Raab	364/413.13
5,309,913	5/1994	Kormos et al.	128/653.1
5,383,454	1/1995	Bucholz	128/653.1
5,403,321	4/1995	DiMarco	606/96
5,517,990	5/1996	Kalfas et al.	128/653.1
5,562,664	10/1996	Durlacher et al.	606/96
5,601,550	2/1997	Esser	606/96 X
5,643,273	7/1997	Clark	606/96

FOREIGN PATENT DOCUMENTS

PCT/US95/12894 4/1996 WIPO .

OTHER PUBLICATIONS

Reinhardt, H. et al., "Sonic Stereometry in Microsurgical Procedures for Deep-Seated Brain Tumors and Vascular Malformations," *Neurosurgery*, vol. 32, No. 1, Jan. , 1993.

Primary Examiner—Stella Reid

Assistant Examiner—I Simmons

Attorney, Agent, or Firm—Finnegan, Henderson, Farabow, Garrett & Dunner

[57] CLAIM

The ornamental design for a drill guide, as shown and described.

DESCRIPTION

FIG. 1 is a side elevational view of a drill guide, showing our new design;

FIG. 2 is a top plan view thereof;

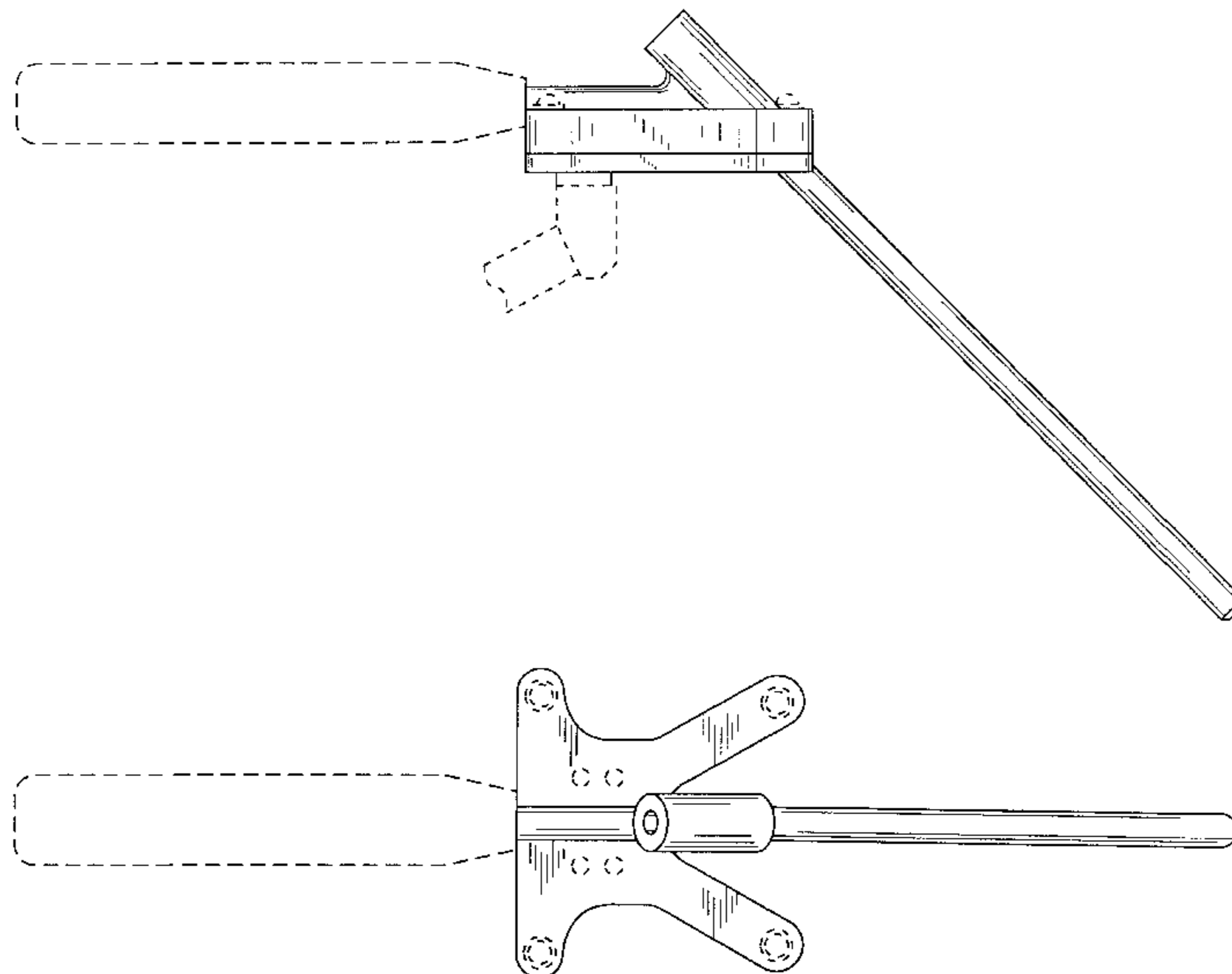
FIG. 3 is a bottom plan view thereof;

FIG. 4 is a front elevational view thereof; and,

FIG. 5 is a rear elevational view thereof.

The broken line showing in FIGS. 1 through 5 are for illustrative purposes only and forms no part of the claimed design.

1 Claim, 3 Drawing Sheets



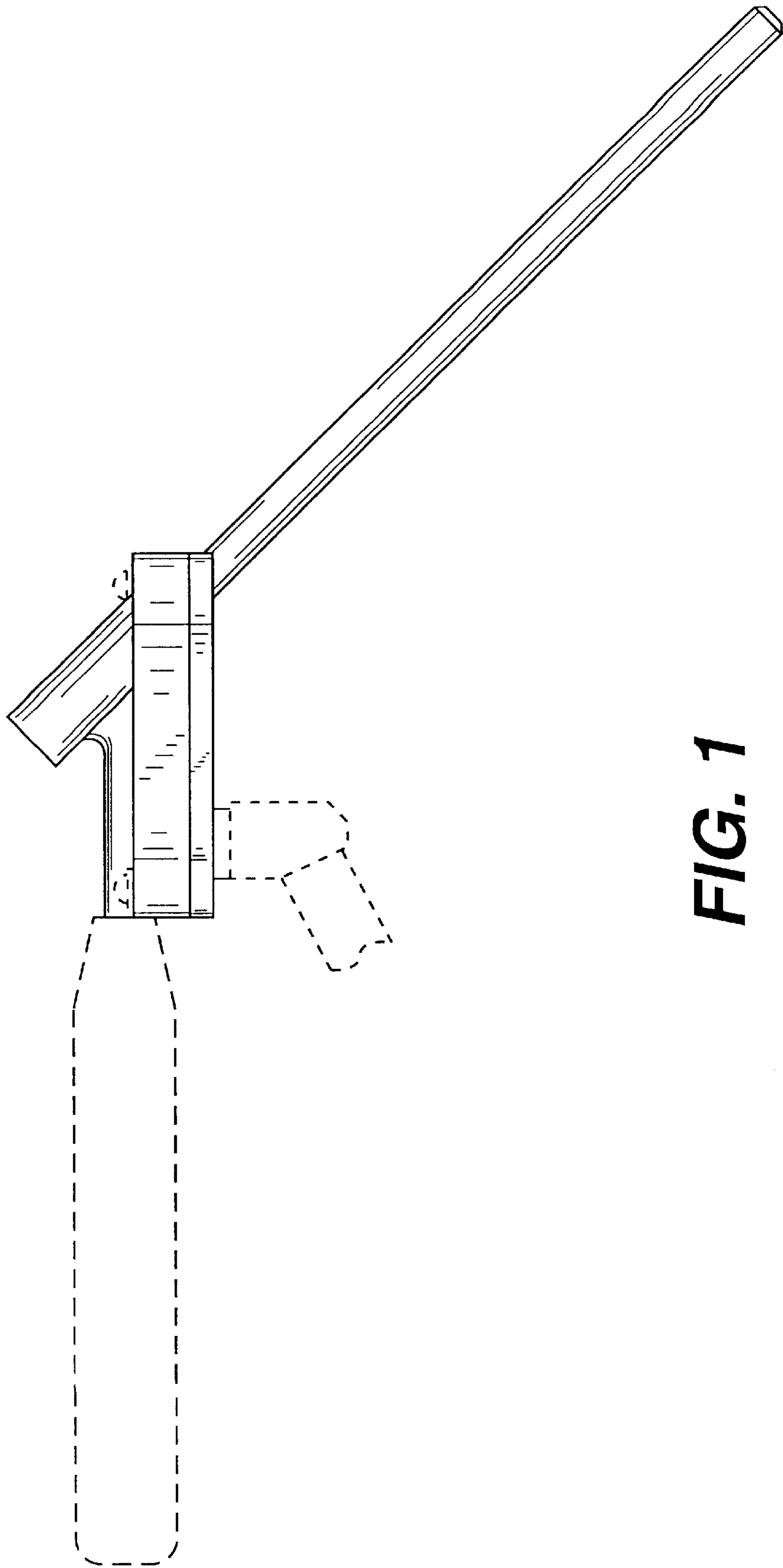


FIG. 1

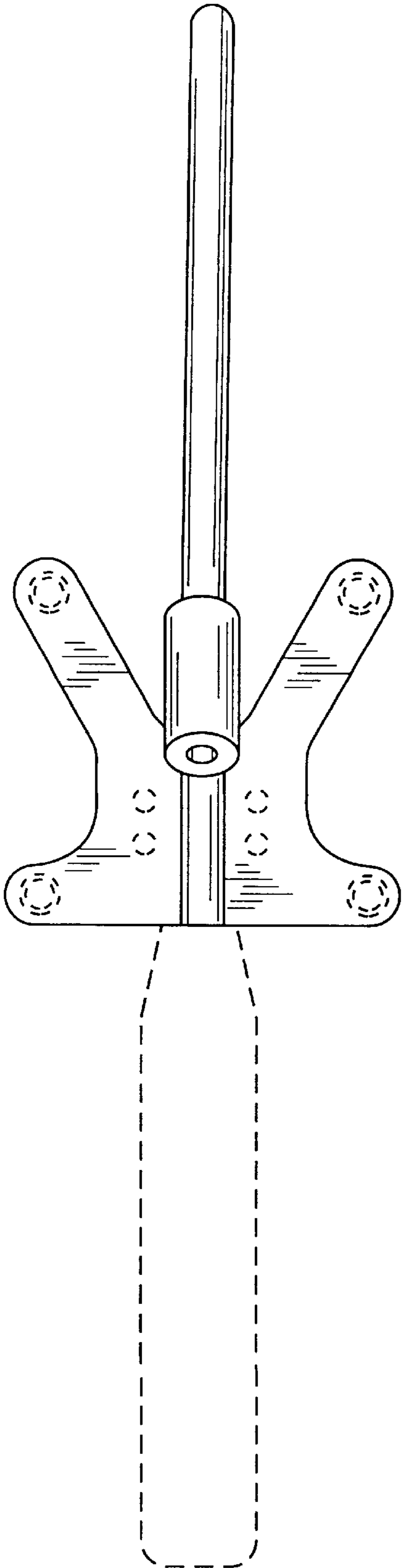


FIG. 2

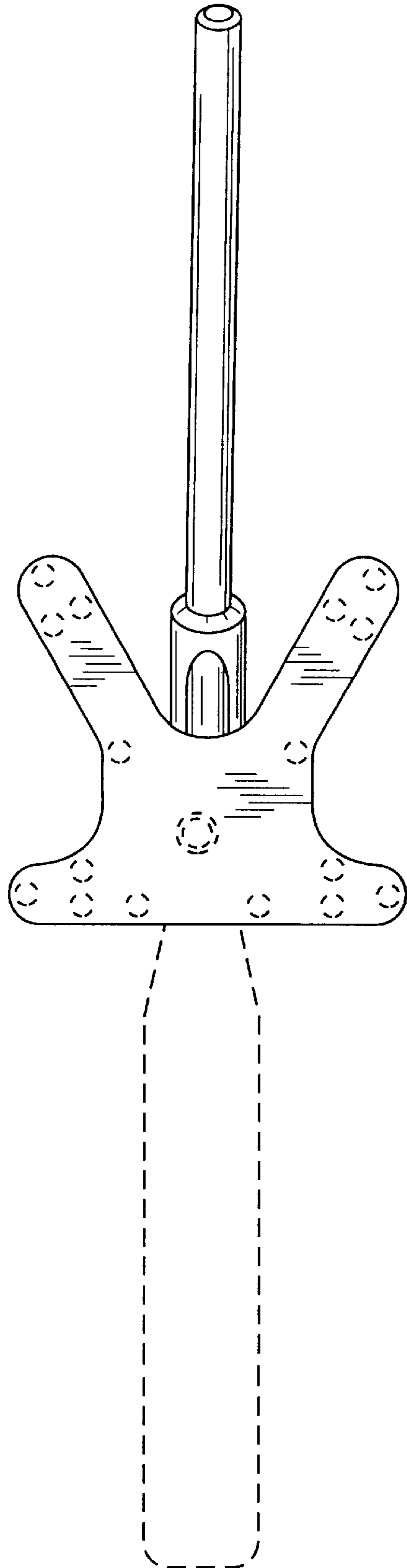


FIG. 3

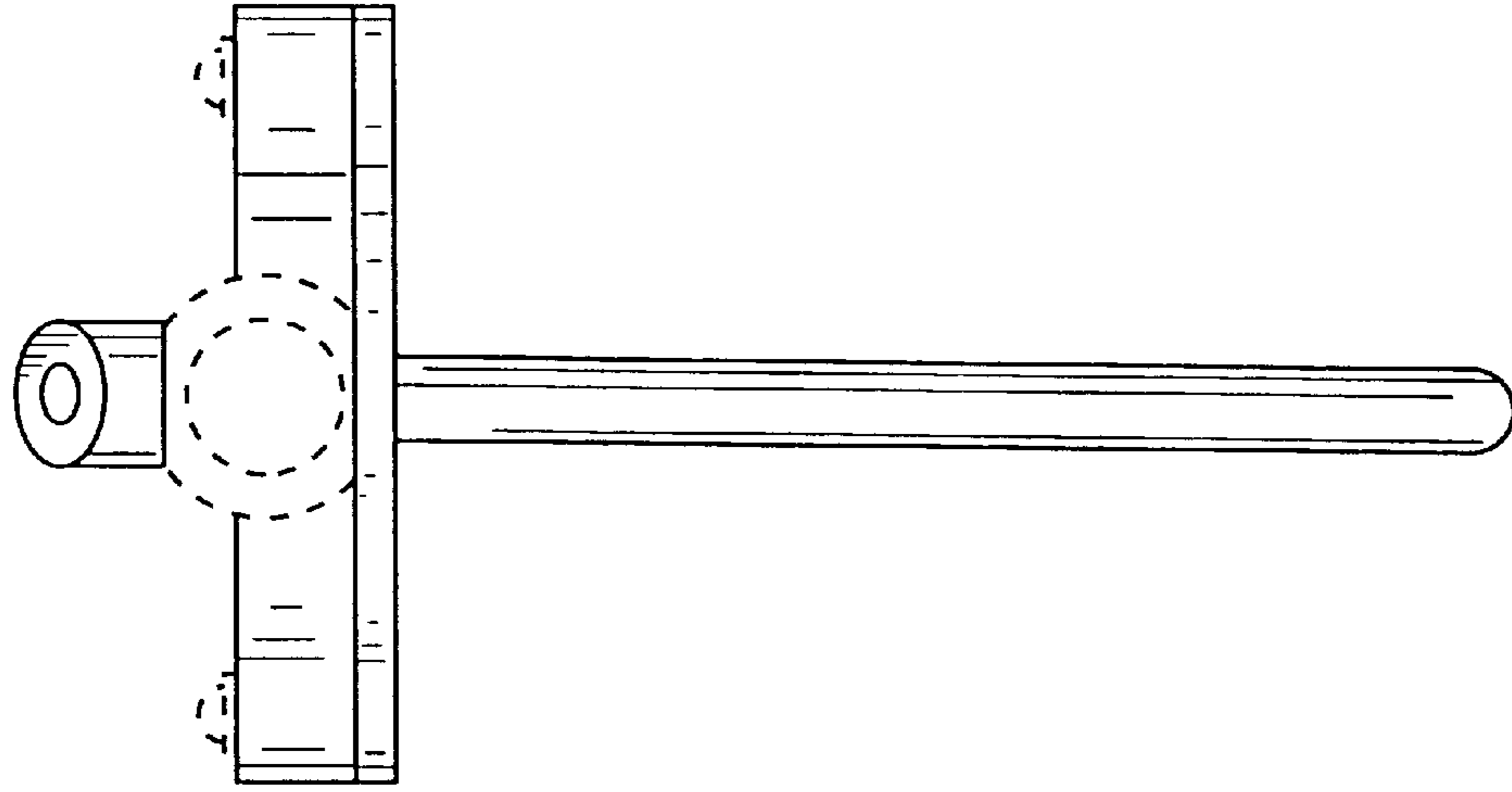


FIG. 5

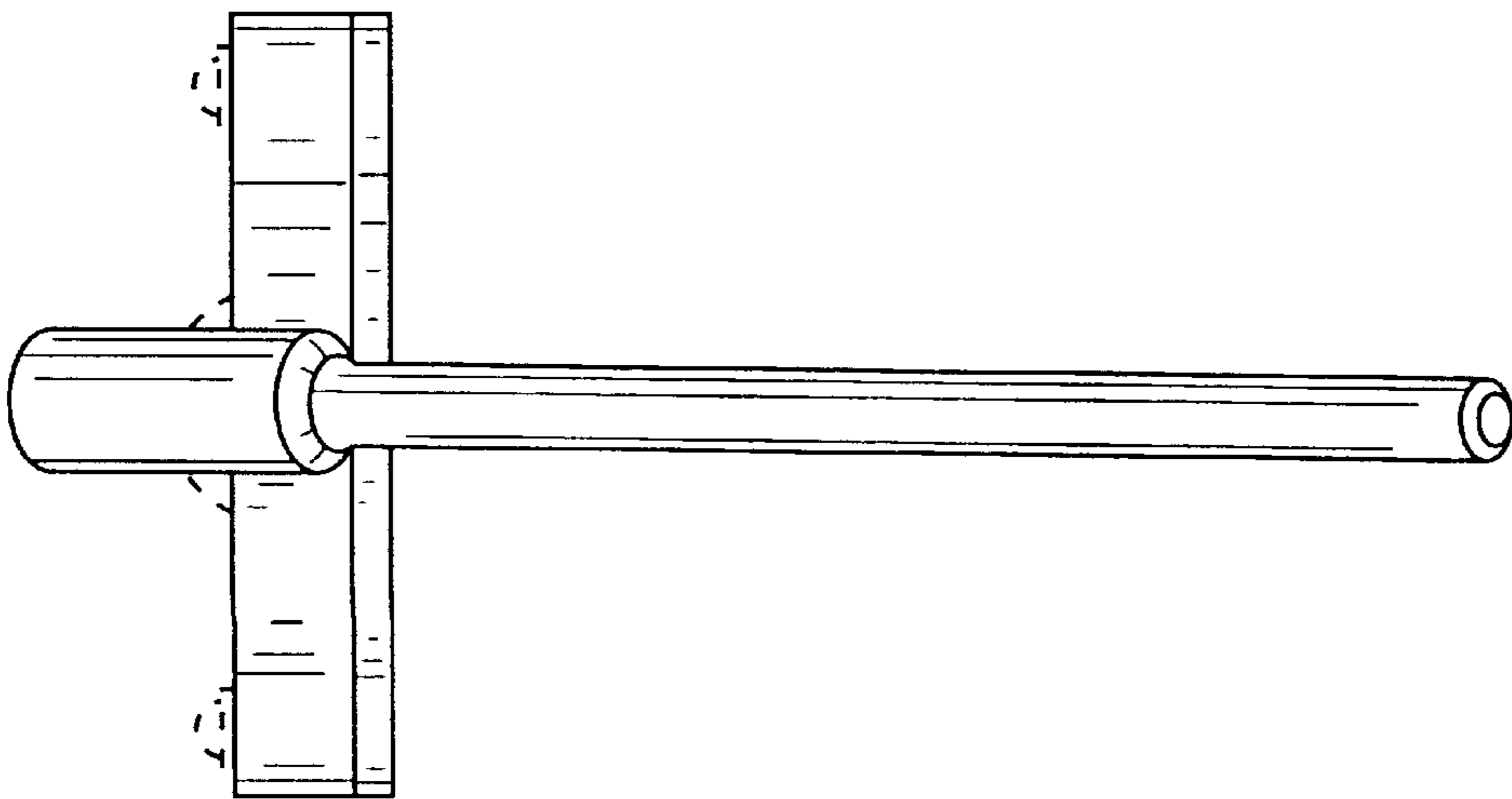


FIG. 4