



US00D420130S

United States Patent [19]

[11] Patent Number: Des. 420,130

Nicholas et al.

[45] Date of Patent: ** Feb. 1, 2000

[54] SURGICAL RETRACTOR

[75] Inventors: **David A. Nicholas**, Trumbull; **David Farascioni**, Bethel; **Peter Hinchliffe**, New Haven; **Patrick Flanagan**, Stratford; **Richard Yagami**, Ridgefield; **Mace H. Bell, III**, Rowayton, all of Conn.

[73] Assignee: **United States Surgical Corp.**, Norwalk, Conn.

[**] Term: **14 Years**

[21] Appl. No.: **29/077,199**

[22] Filed: **Sep. 29, 1997**

Related U.S. Application Data

[63] Continuation-in-part of application No. 08/801,052, Feb. 14, 1997, and application No. 08/717,591, Sep. 23, 1996, abandoned.

[51] LOC (7) Cl. **24-02**

[52] U.S. Cl. **D24/135**

[58] Field of Search D24/135; 600/201, 600/215, 217, 233

[56] References Cited

U.S. PATENT DOCUMENTS

497,064	5/1893	Meter .
1,707,689	4/1929	Sloan .
1,839,726	1/1932	Arnold .
1,919,120	7/1933	O'Connor et al. .
2,473,266	6/1949	Wexler .
2,623,517	12/1952	Barlow et al. .
2,693,795	11/1954	Grieshaber .
3,168,093	2/1965	Gauthier .
3,384,077	5/1968	Gauthier .
3,394,700	7/1968	Yamamoto .

3,463,144	8/1969	Hammond .
3,522,799	8/1970	Gauthier .
3,749,088	7/1973	Kohlmann .
3,965,890	6/1976	Gauthier .
3,998,217	12/1976	Trumbull et al. .
4,010,741	3/1977	Gauthier .
4,048,987	9/1977	Hurson .
4,064,873	12/1977	Swenson .
4,099,521	7/1978	Nestor et al. .
4,213,451	7/1980	Swenson .
4,226,228	10/1980	Shin et al. .
4,337,762	7/1982	Gauthier .
4,421,107	12/1983	Estes et al. .
4,616,635	10/1986	Caspar et al. .
4,813,401	3/1989	Grieshaber .
5,052,374	10/1991	Alvarez-Jacinto .
5,067,477	11/1991	Santangelo .
5,167,223	12/1992	Koros et al. .
5,231,974	8/1993	Giglio et al. .
5,299,563	4/1994	Seton .
5,400,774	3/1995	Villalta et al. .
5,520,610	5/1996	Giglio et al. .
5,902,233	5/1999	Farley et al. 600/213

Primary Examiner—Stella Reid
Assistant Examiner—I Simmons

[57] CLAIM

The ornamental design for a surgical retractor, as shown and described.

DESCRIPTION

FIG. 1 is a perspective view of a surgical retractor showing our new design.
FIG. 2 is a front view thereof.
FIG. 3 is a top view thereof.
FIG. 4 is a left side view thereof.
FIG. 5 is a right side view thereof.
FIG. 6 is a back view thereof; and,
FIG. 7 is a bottom view thereof.

1 Claim, 2 Drawing Sheets

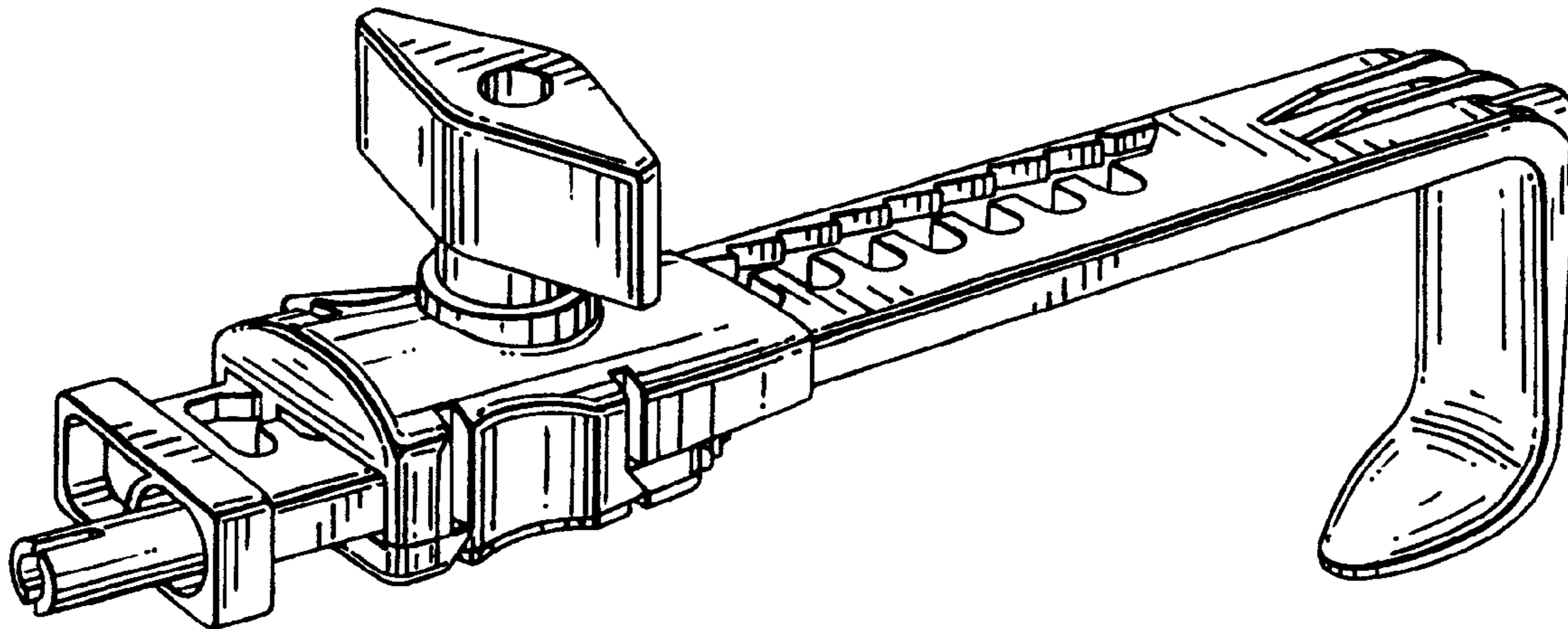


FIG. 1

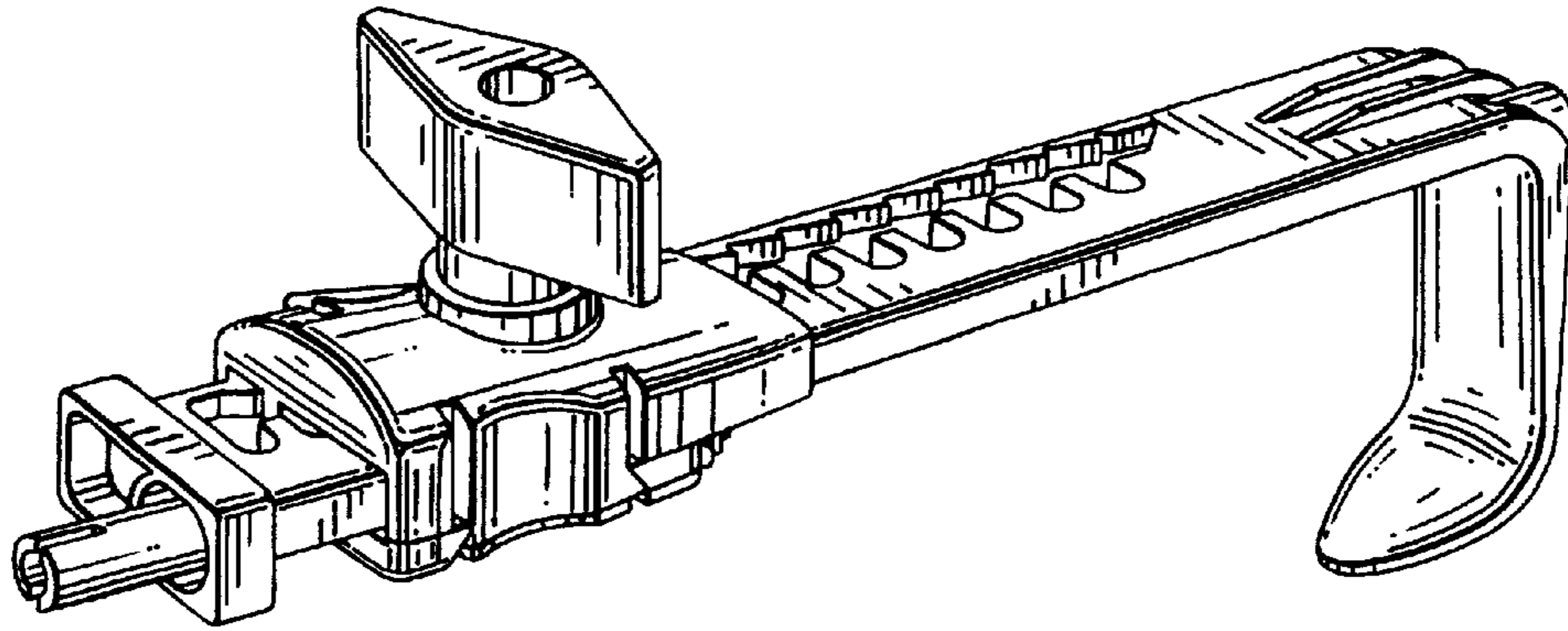


FIG. 2

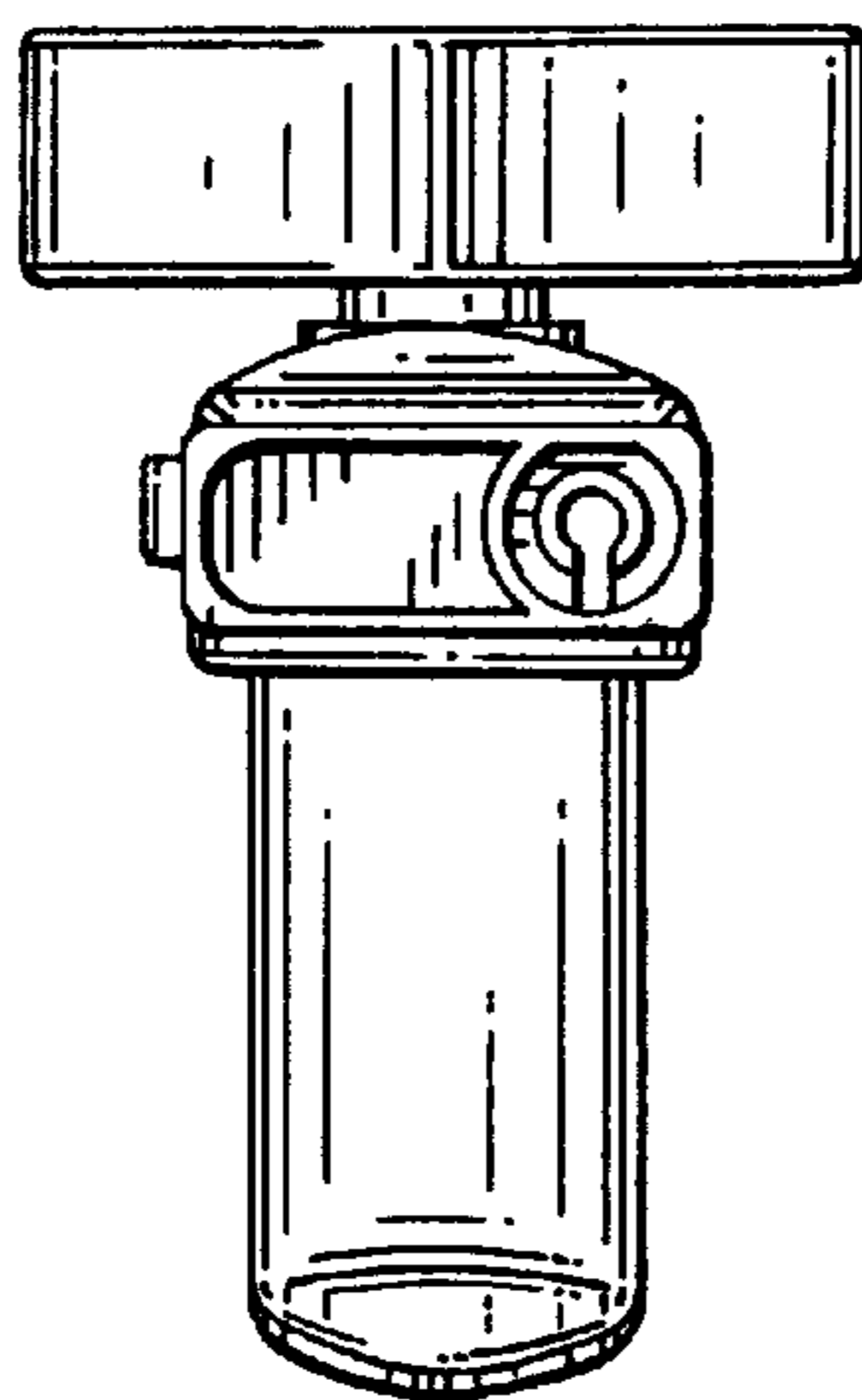


FIG. 3

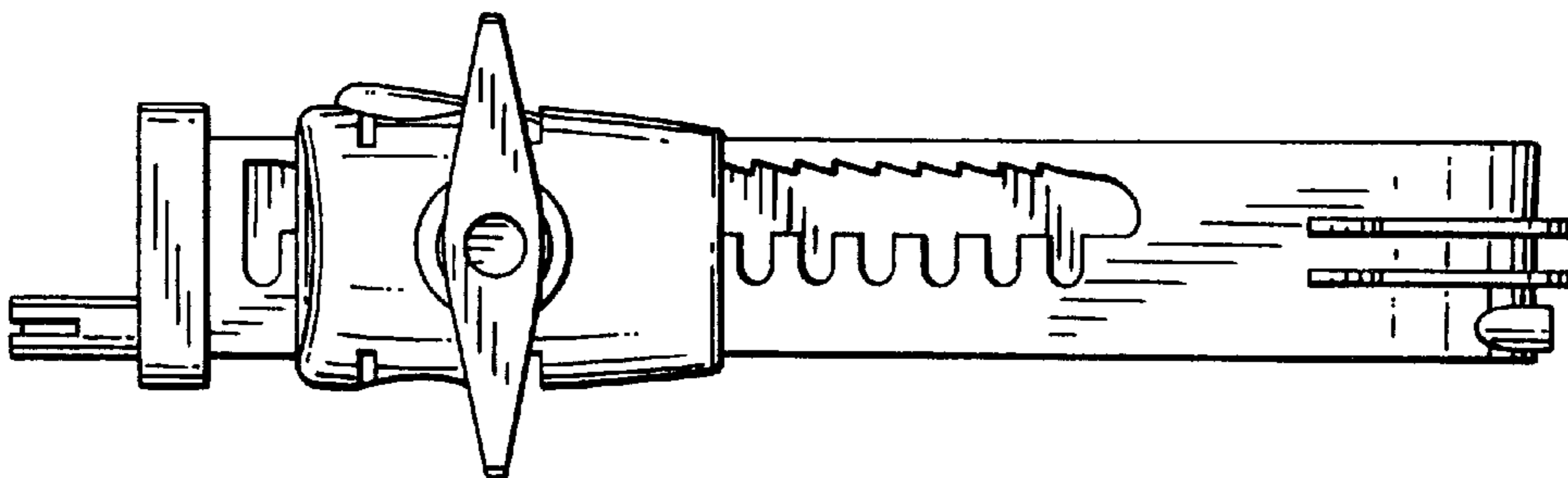


FIG. 4

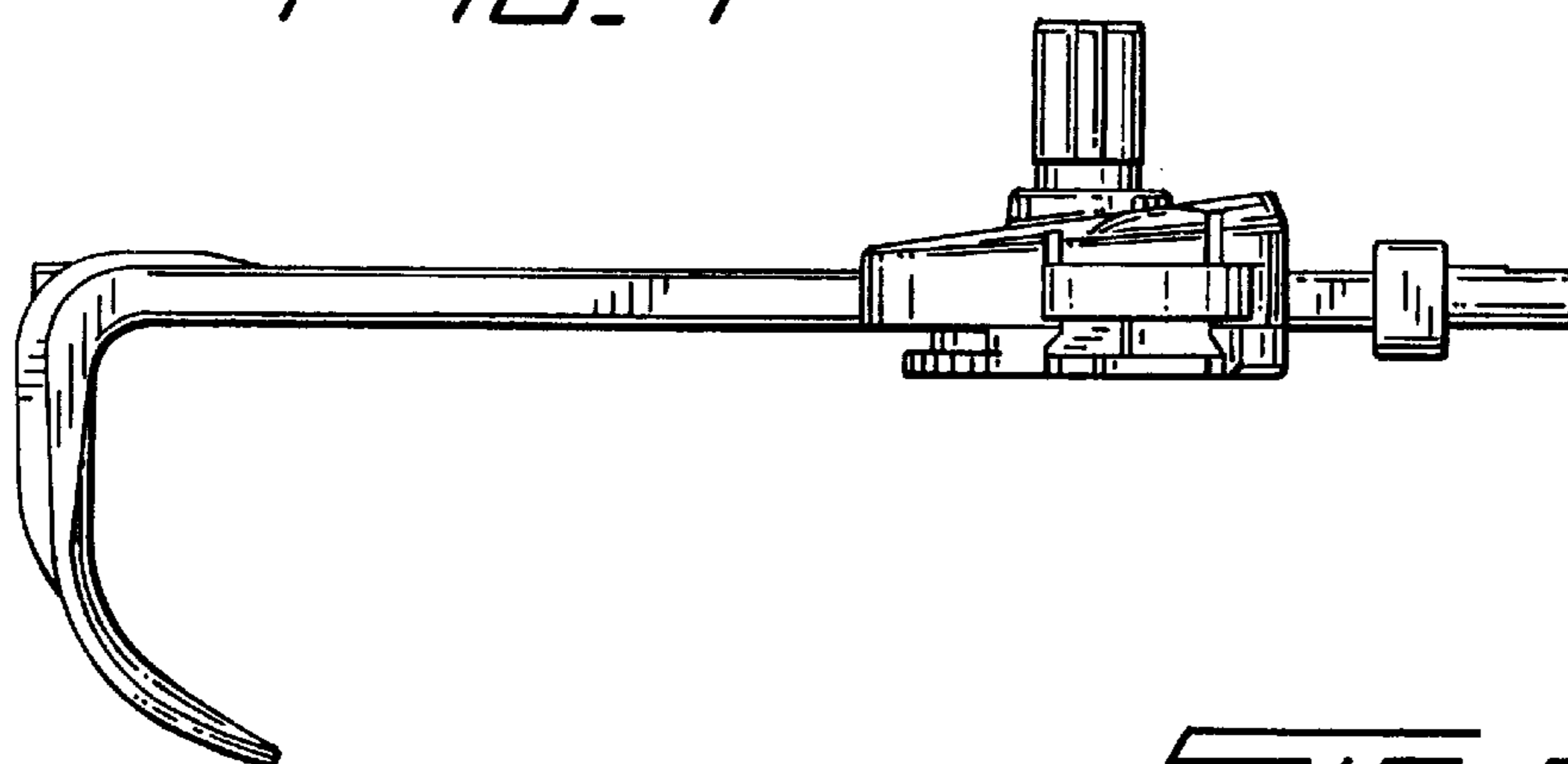


FIG. 5

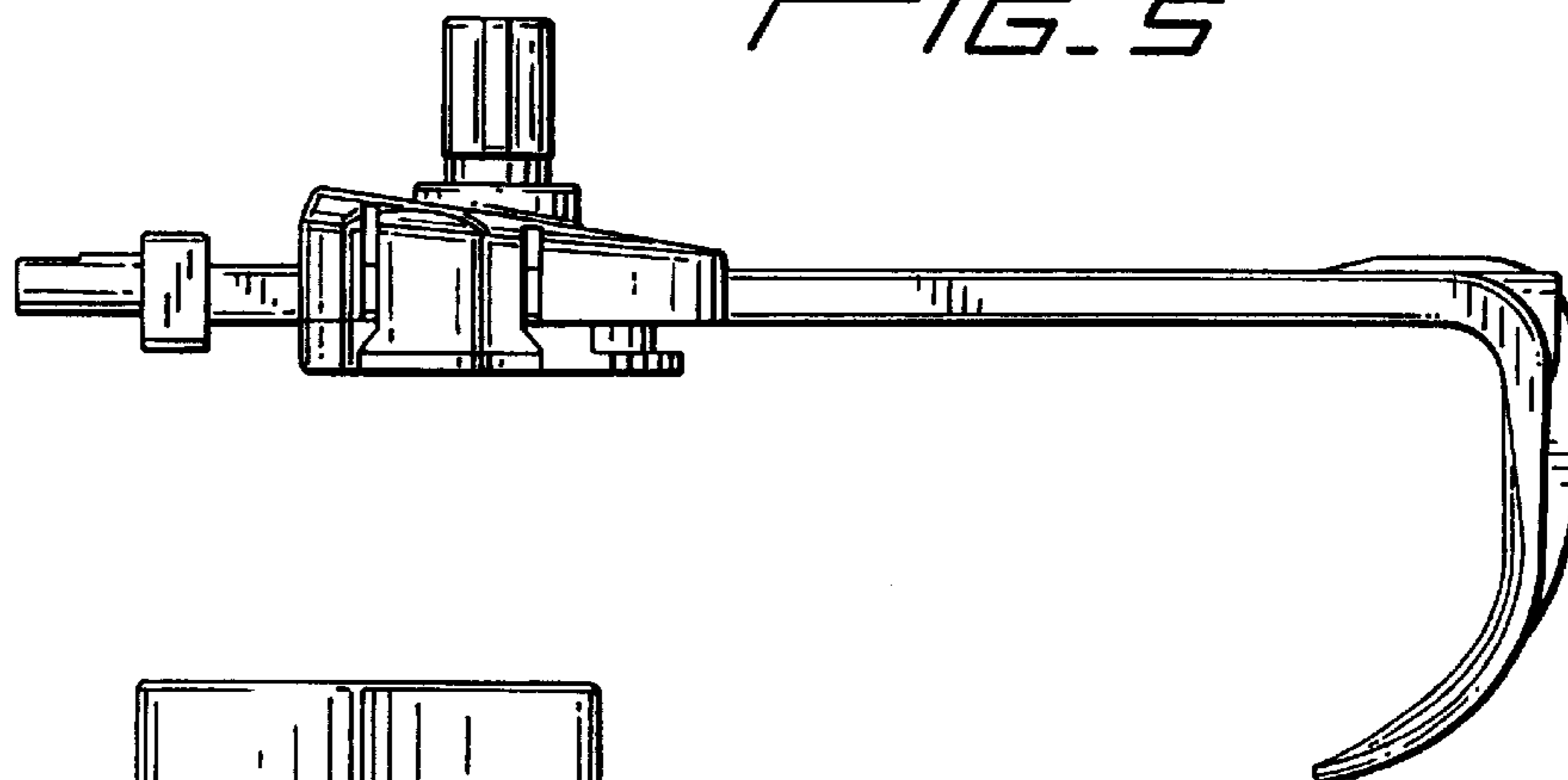


FIG. 6

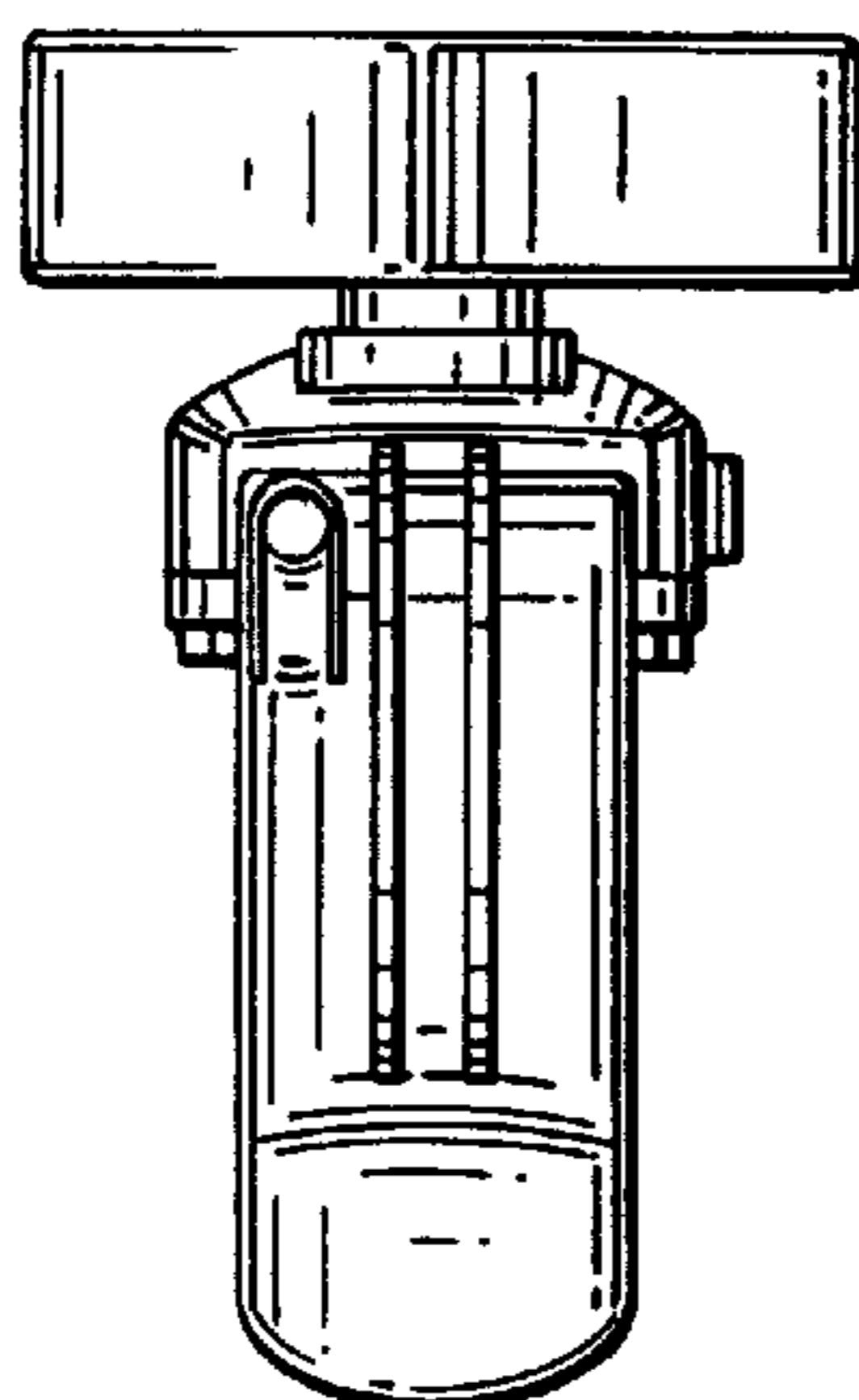


FIG. 7

