



US00D420129S

**United States Patent** [19]  
**McMahon**

[11] **Patent Number: Des. 420,129**  
[45] **Date of Patent: \*\* Feb. 1, 2000**

[54] **SYRINGE BARREL**

[75] Inventor: **Keith Herd Younie McMahon**, Fife,  
United Kingdom

[73] Assignee: **NMT Group PLC**, Lanarkshire, United  
Kingdom

[\*\*] Term: **14 Years**

[21] Appl. No.: **29/063,246**

[22] Filed: **Dec. 3, 1996**

[30] **Foreign Application Priority Data**

Sep. 4, 1996 [GB] United Kingdom ..... 2058966

[51] **LOC (7) Cl.** ..... **24-02**

[52] **U.S. Cl.** ..... **D24/130**

[58] **Field of Search** ..... D24/130, 112,  
D24/114; 206/365; 604/181, 189, 187, 232

[56] **References Cited**

**U.S. PATENT DOCUMENTS**

D. 302,726 8/1989 Schwobel ..... D24/114

D. 377,687	1/1997	Udovch .....	D24/114
D. 383,205	9/1997	Pagay et al. ....	D24/112
2,884,123	4/1959	Dann et al. ....	206/365
3,391,694	7/1968	Spaeth .....	604/189
4,840,619	6/1989	Hughes .....	604/187
5,437,647	8/1995	Firth et al. ....	604/232

*Primary Examiner*—Louis S. Zarfes  
*Assistant Examiner*—Greg Andoll  
*Attorney, Agent, or Firm*—James E. Bradley

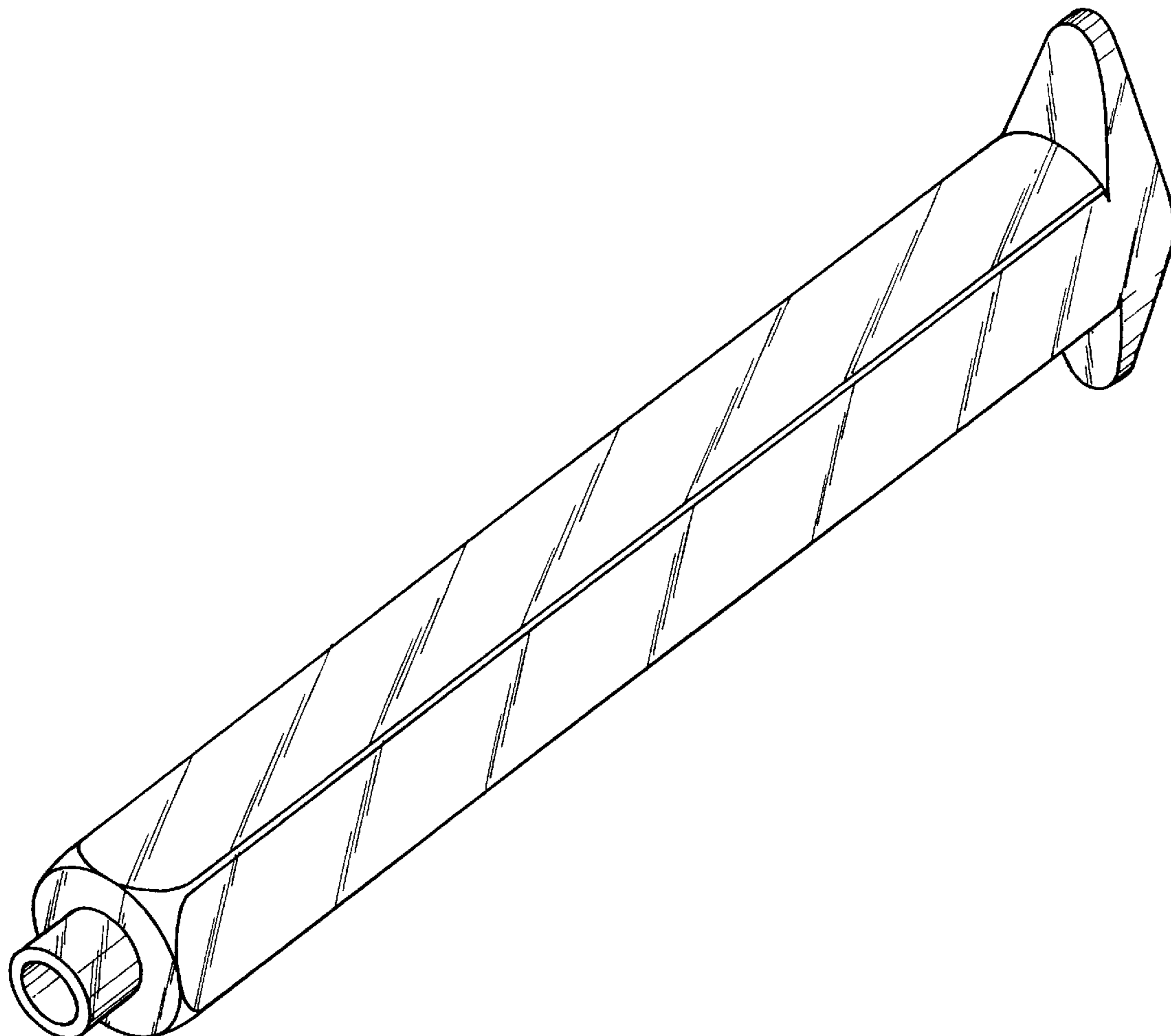
[57] **CLAIM**

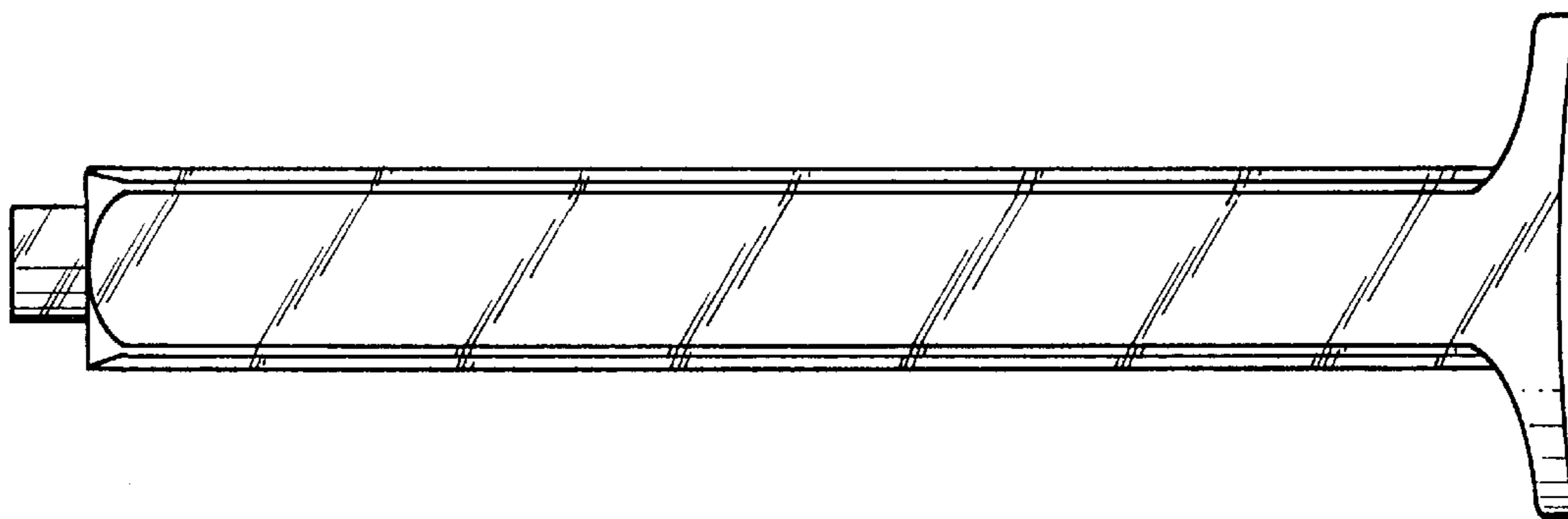
The ornamental design for a syringe barrel, as shown and described.

**DESCRIPTION**

FIG. 1 is a side view of a syringe barrel showing my new design, the opposite side view being a mirror image thereof; FIG. 2 is another side view thereof, the opposite side view being a mirror image thereof; FIG. 3 is a top view thereof; FIG. 4 is a bottom view thereof; and, FIG. 5 is a perspective view thereof.

**1 Claim, 2 Drawing Sheets**

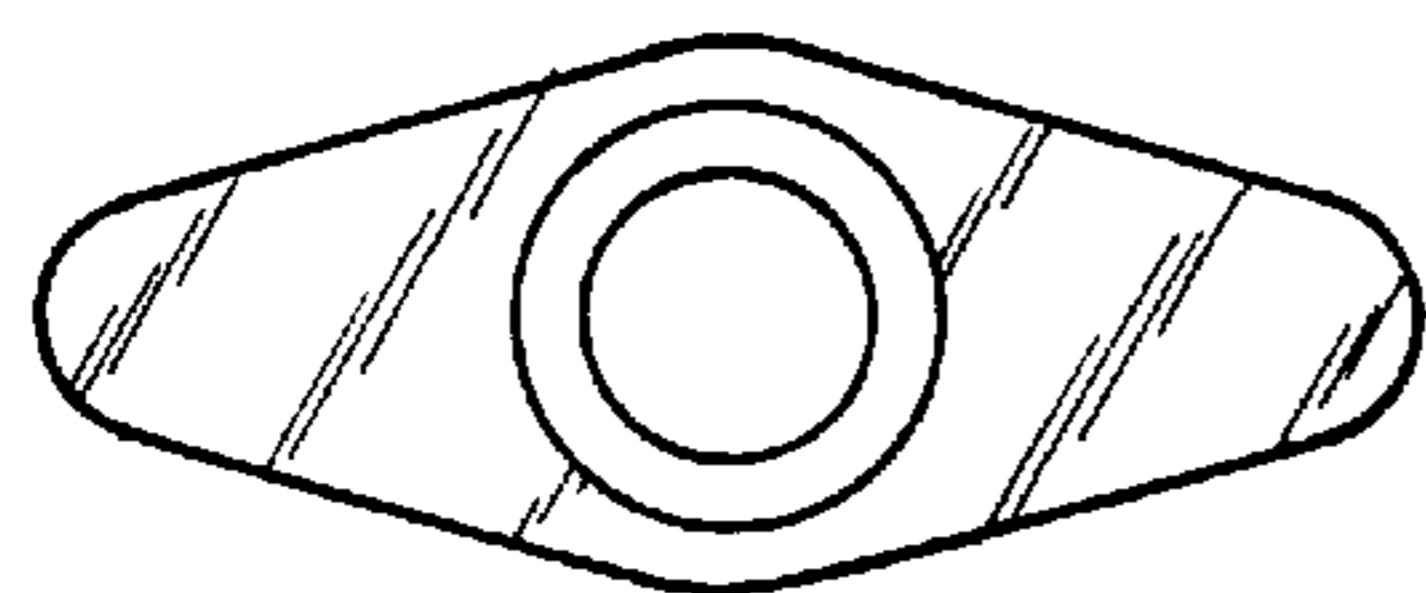




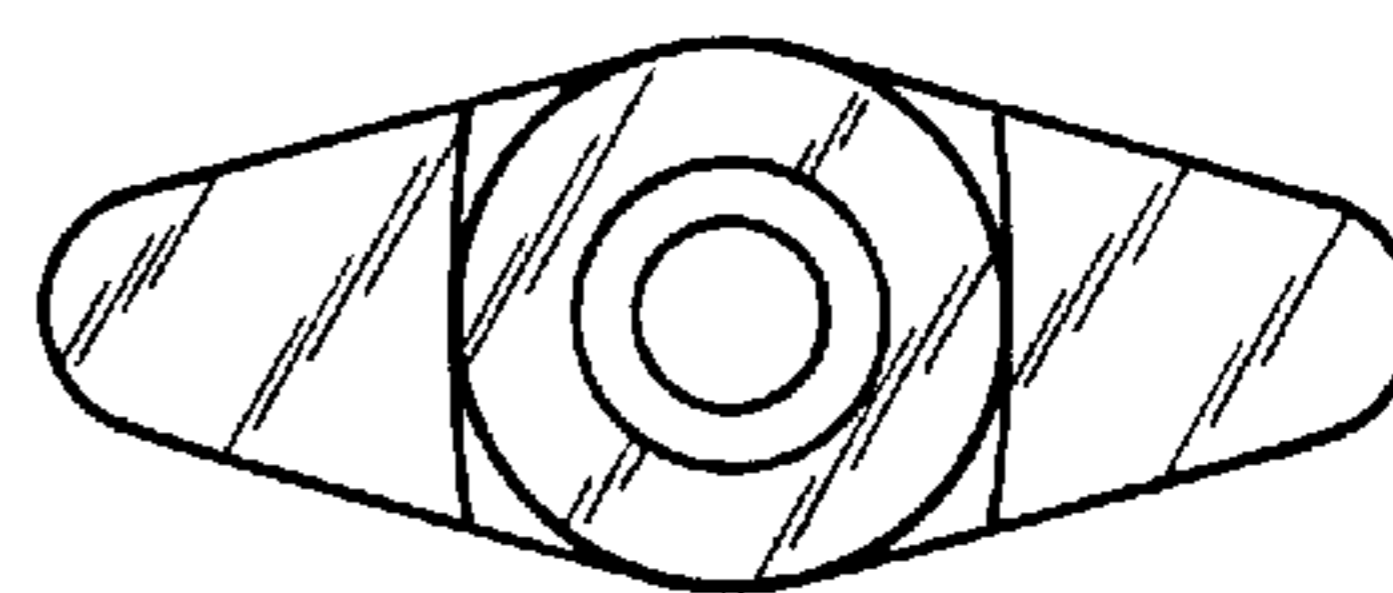
*Fig. 1*



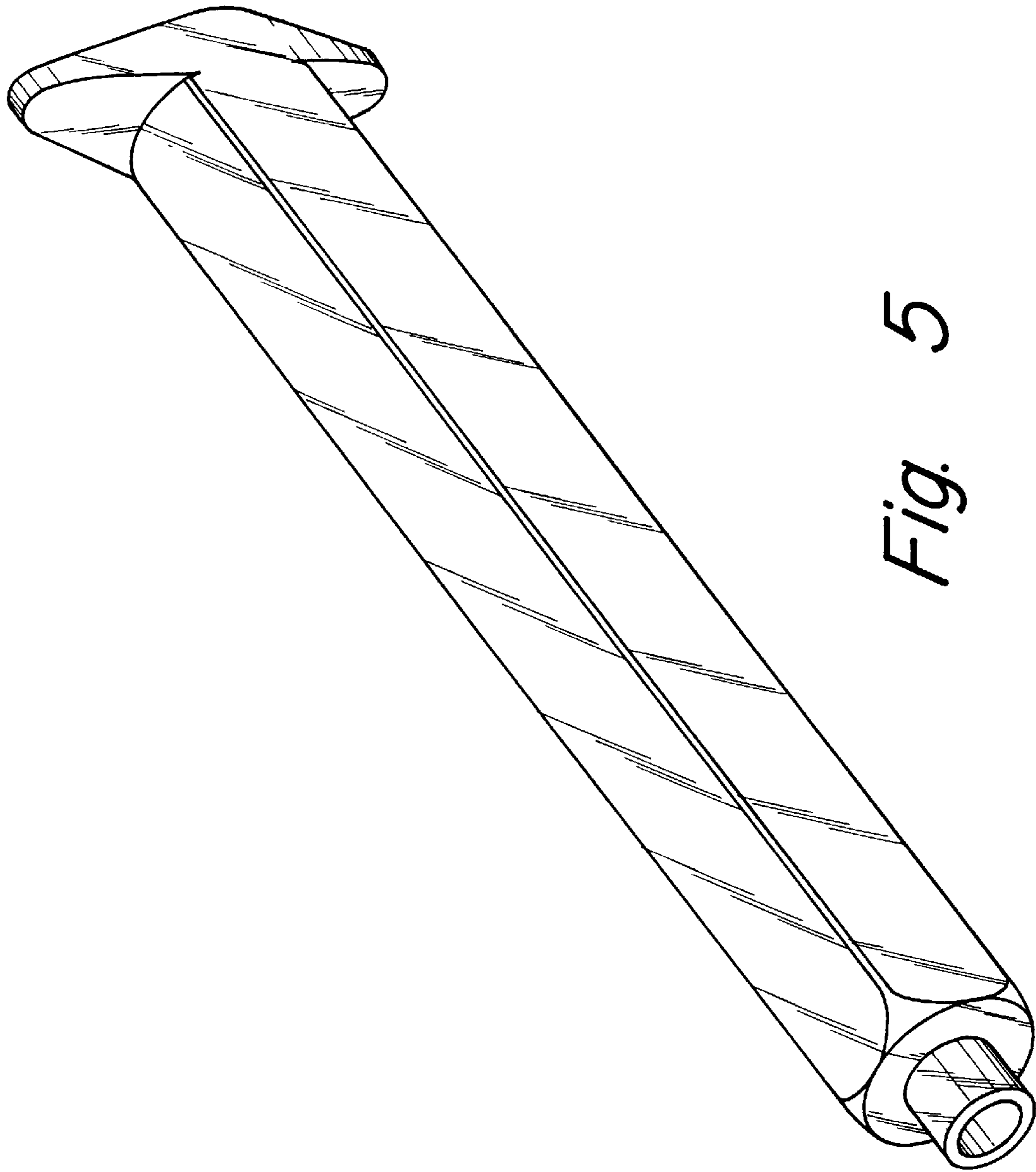
*Fig. 2*



*Fig. 3*



*Fig. 4*



*Fig. 5*