



US00D420125S

**United States Patent** [19]  
**Johnson**

[11] **Patent Number: Des. 420,125**

[45] **Date of Patent: \*\* Feb. 1, 2000**

[54] **COMBINED CEILING FAN ROTARY BAND,  
SUPPORT ARMS AND BLADE IRONS UNIT**

*Primary Examiner*—Lisa Lichtenstein  
*Attorney, Agent, or Firm*—Kenneth C. Hill; James E. Bradley

[76] Inventor: **Aaron Johnson**, 6702 Saddleridge Rd.,  
Arlington, Tex. 76016

[\*\*] Term: **14 Years**

[57] **CLAIM**

The ornamental design for a combined ceiling fan rotary band, support arms and blade irons unit, as shown and described.

[21] Appl. No.: **29/098,691**

[22] Filed: **Jan. 4, 1999**

**DESCRIPTION**

[51] **LOC (7) Cl.** ..... **23-04**

[52] **U.S. Cl.** ..... **D23/411; D23/377**

[58] **Field of Search** ..... D23/377, 379,  
D23/385, 411; 416/5, 170 C, 170 R

FIG. 1 is a bottom view of the rotary band of the invention;  
FIG. 2 is a side view, wherein both sides, front and back are identical; and,

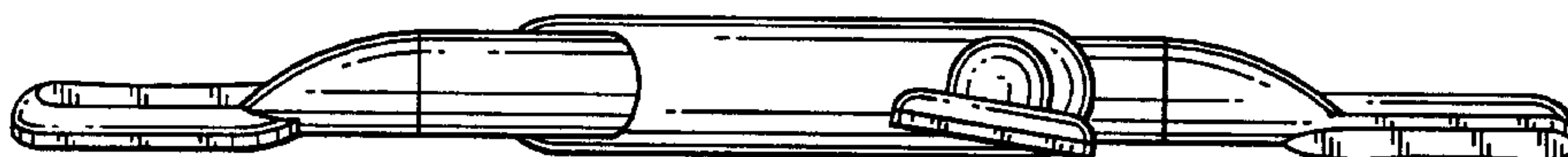
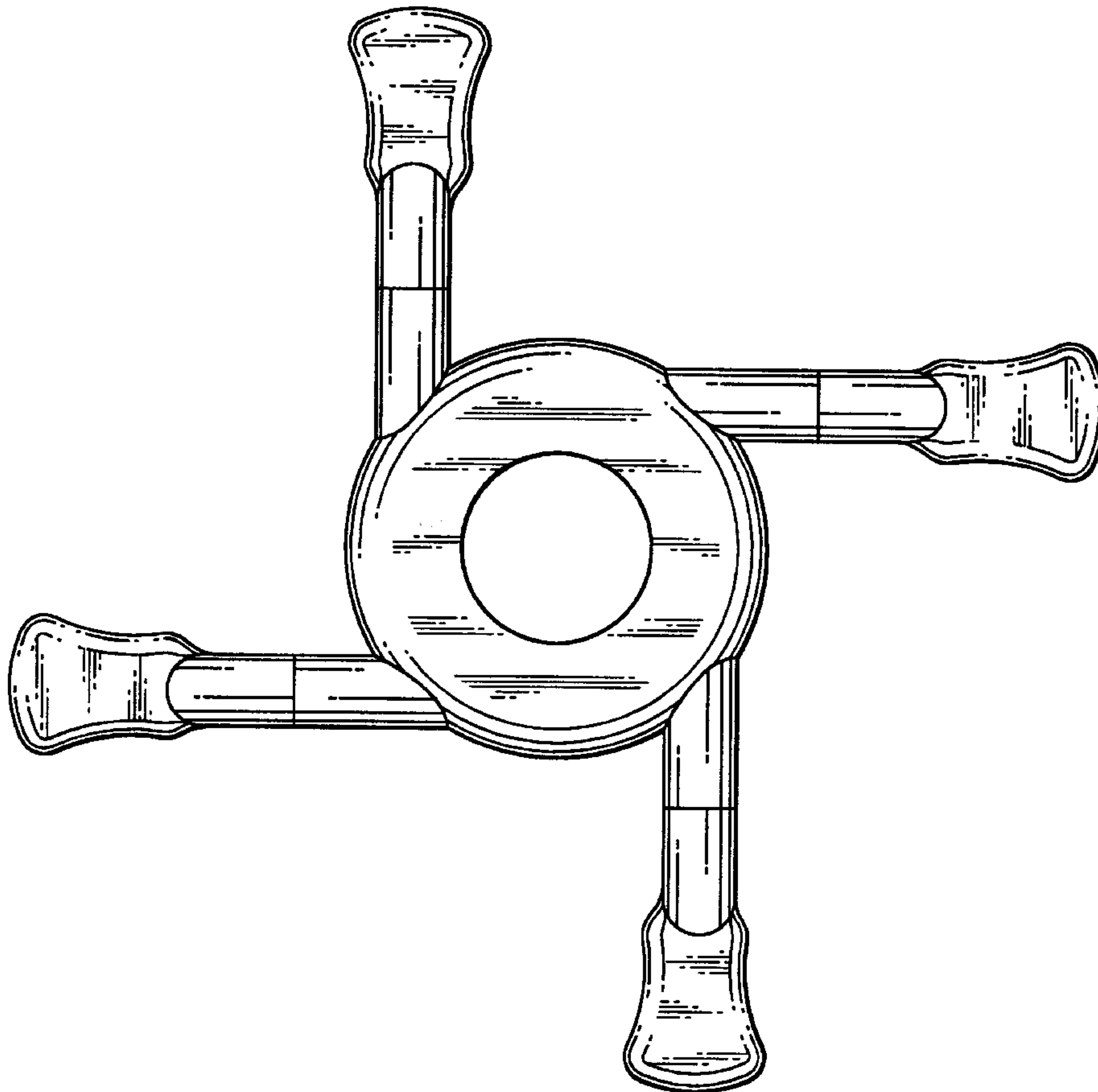
FIG. 3 is a top view of the rotary band of the invention.

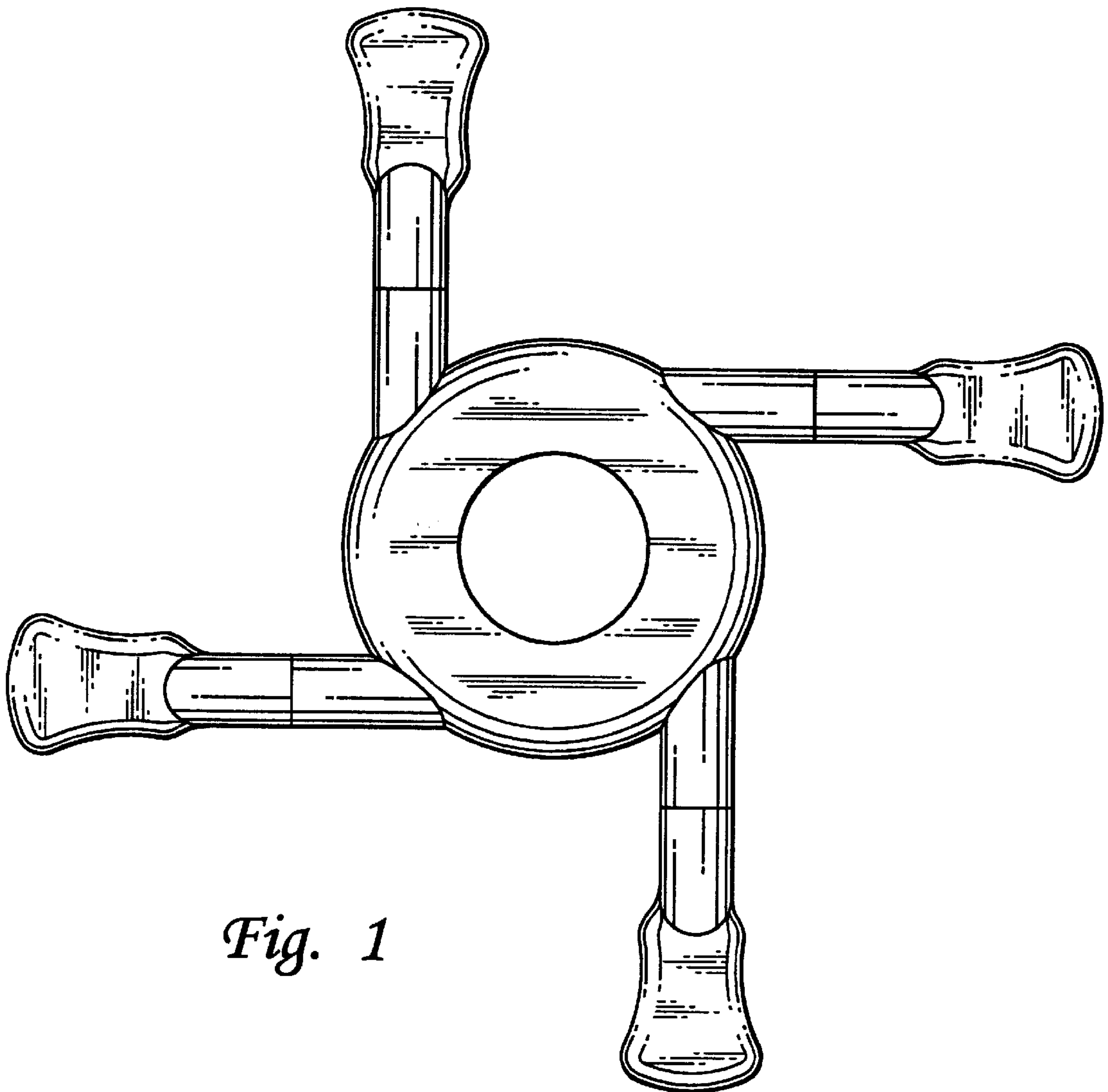
[56] **References Cited**

**U.S. PATENT DOCUMENTS**

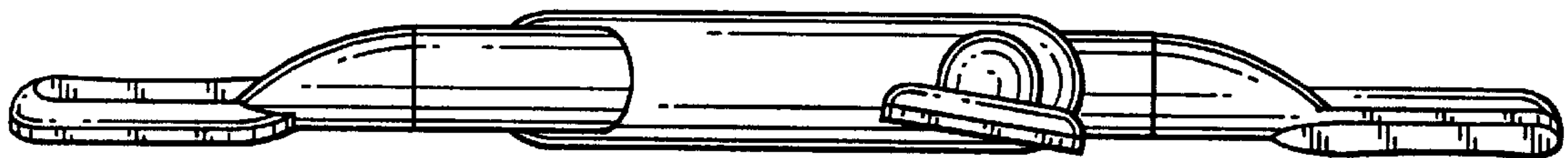
D. 374,074 9/1996 Chen ..... D23/411

**1 Claim, 2 Drawing Sheets**

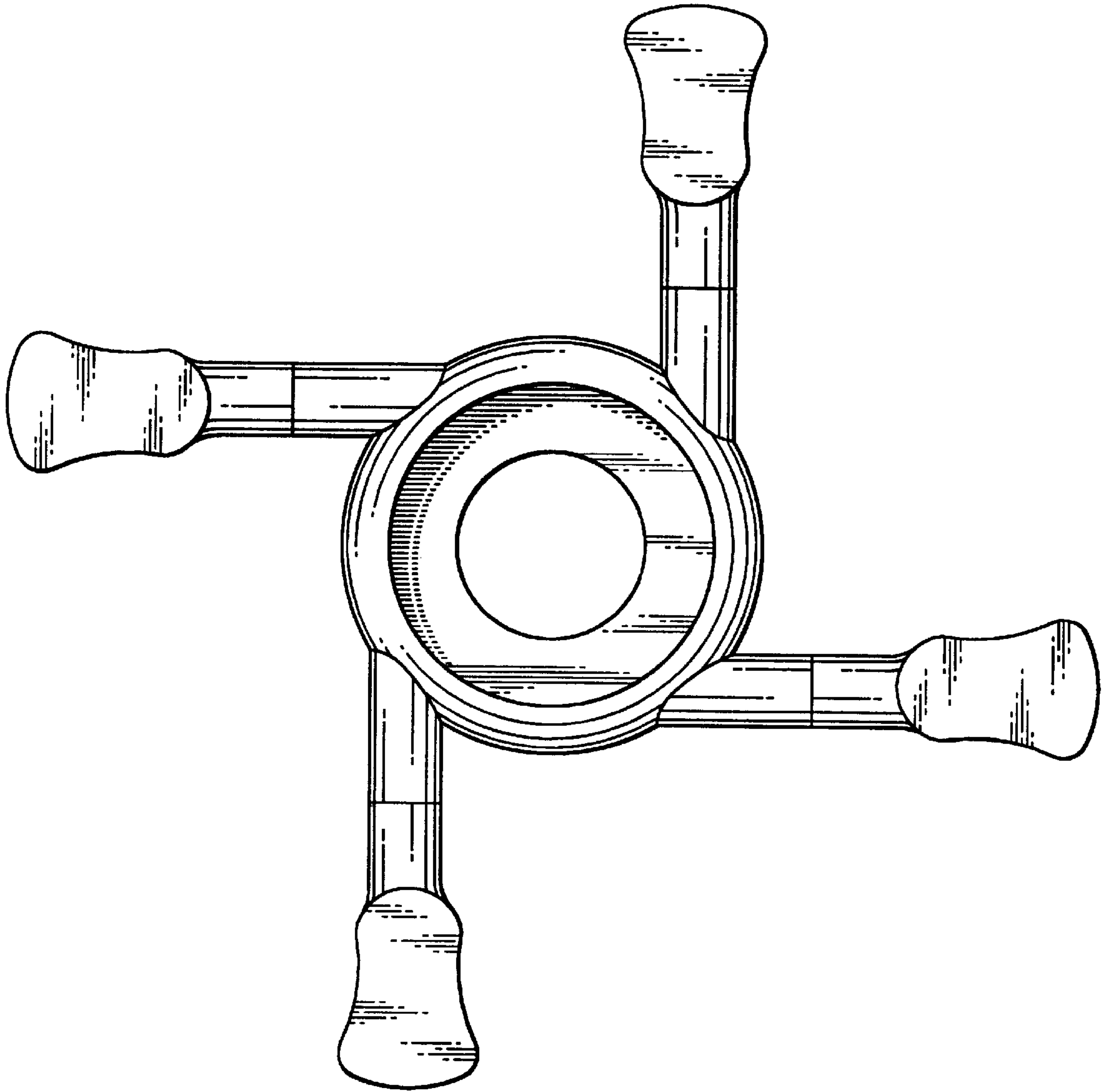




*Fig. 1*



*Fig. 2*



*Fig. 3*