



US00D420124S

United States Patent [19]
Johnson

[11] **Patent Number: Des. 420,124**

[45] **Date of Patent: ** Feb. 1, 2000**

[54] **MEDALLION FOR A CEILING FAN**

Attorney, Agent, or Firm—James E. Bradley

[76] Inventor: **Aaron Johnson**, 6702 Saddleridge Rd.,
Arlington, Tex. 76016

[57] **CLAIM**

The ornamental design for a medallion for a ceiling fan, as shown and described.

[**] Term: **14 Years**

DESCRIPTION

[21] Appl. No.: **29/098,674**

FIG. 1 is a top view of the medallion for a ceiling fan of the invention;

[22] Filed: **Jan. 4, 1999**

FIG. 2 is a front view, wherein the back view is a mirror image thereof;

[51] **LOC (7) Cl. 23-04**

FIG. 3 is a right side view of the medallion for a ceiling fan;
FIG. 4 is a left side view of the medallion for a ceiling fan;
and,

[52] **U.S. Cl. D23/411; D23/377**

FIG. 5 is a bottom view of the medallion for a ceiling fan.

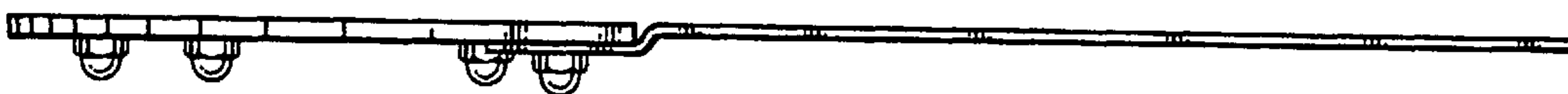
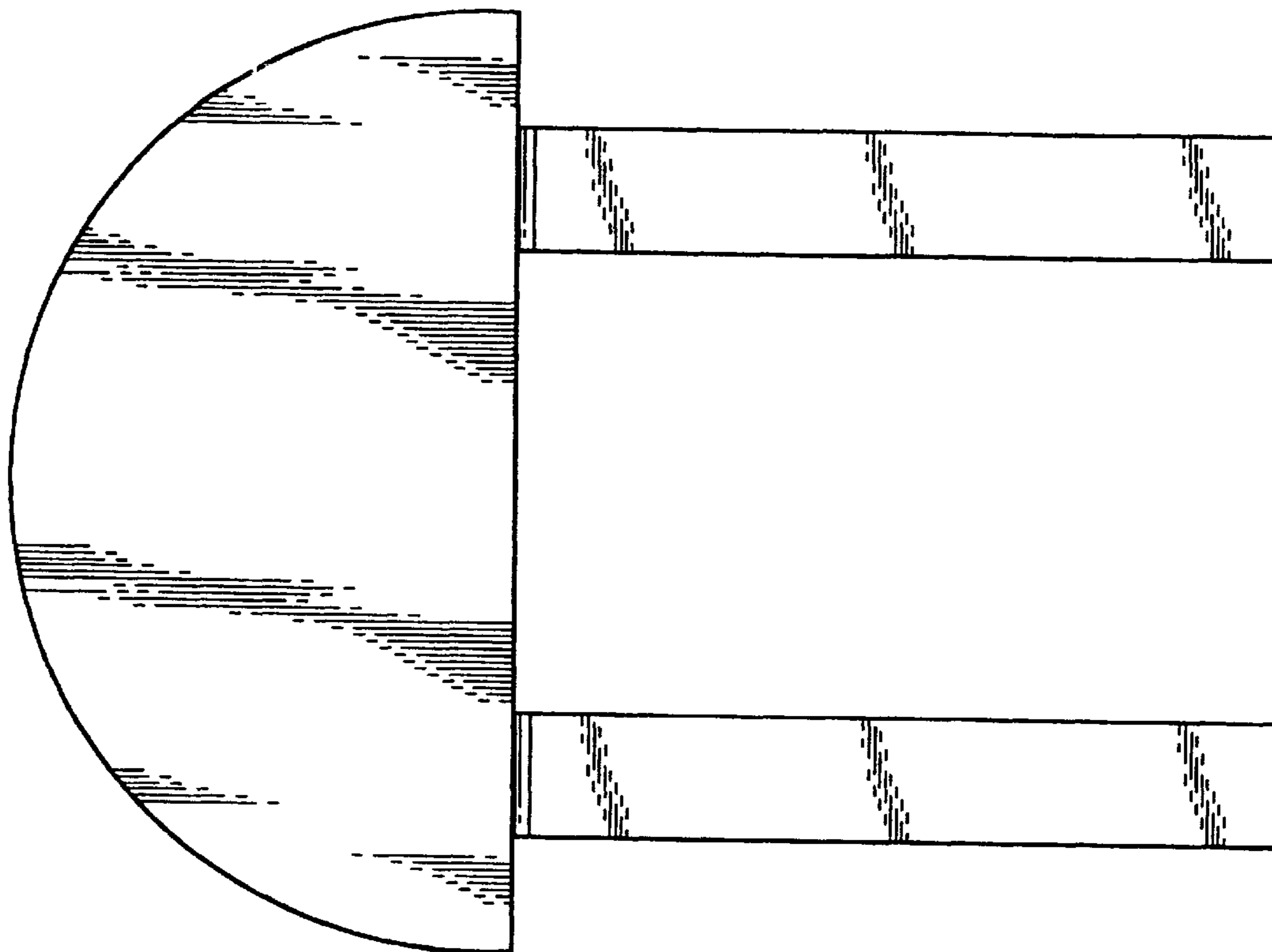
[56] **References Cited**

U.S. PATENT DOCUMENTS

D. 395,498 6/1998 Gee, II D23/411

Primary Examiner—Lisa Lichtenstein

1 Claim, 2 Drawing Sheets



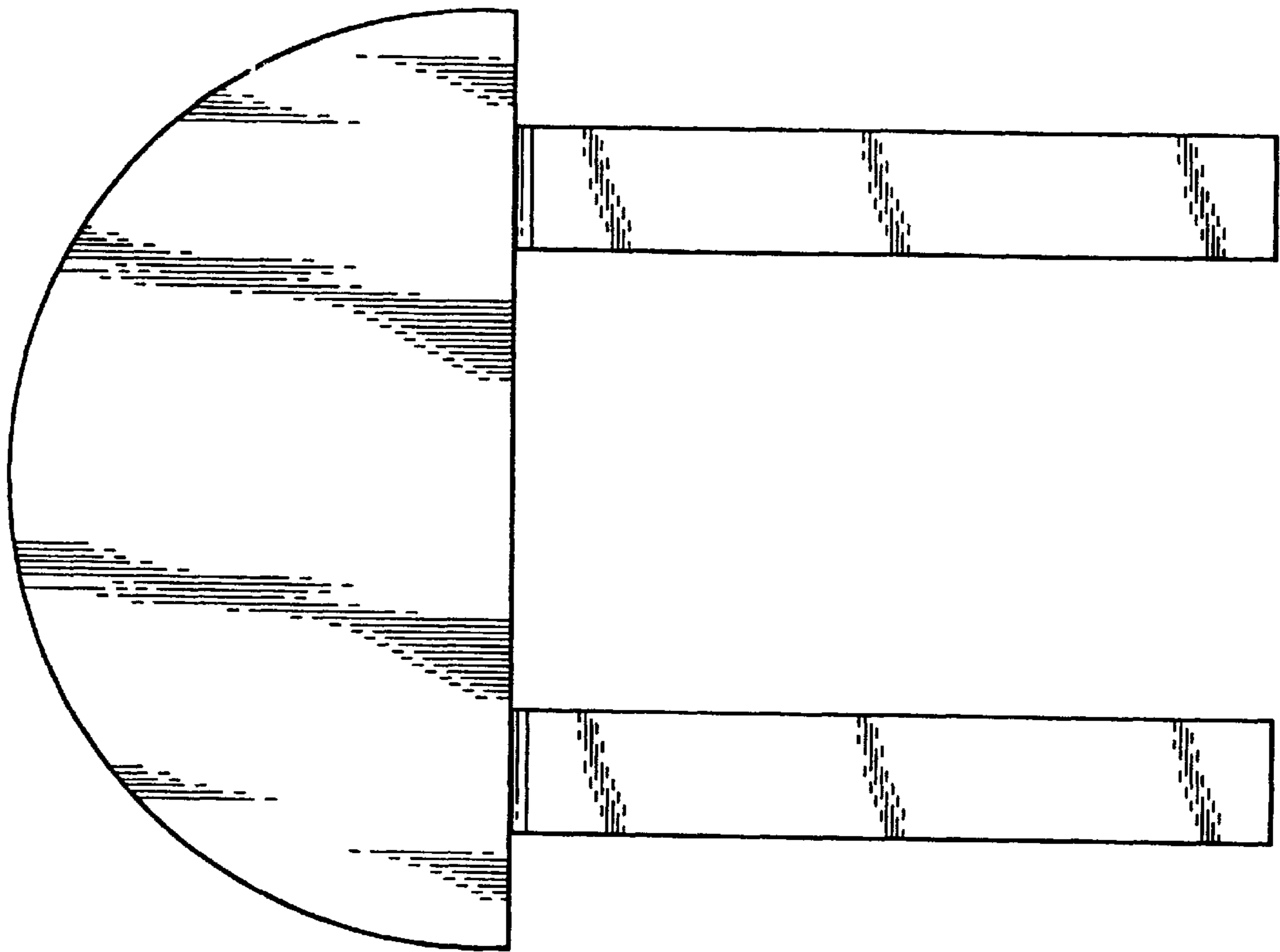


Fig. 1

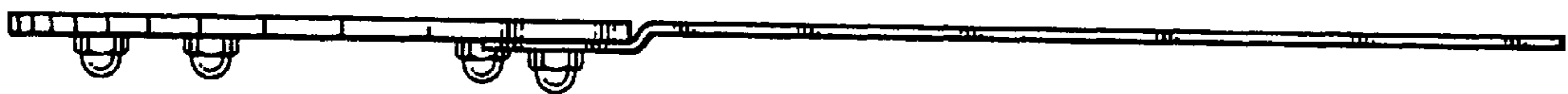


Fig. 2



Fig. 3



Fig. 4

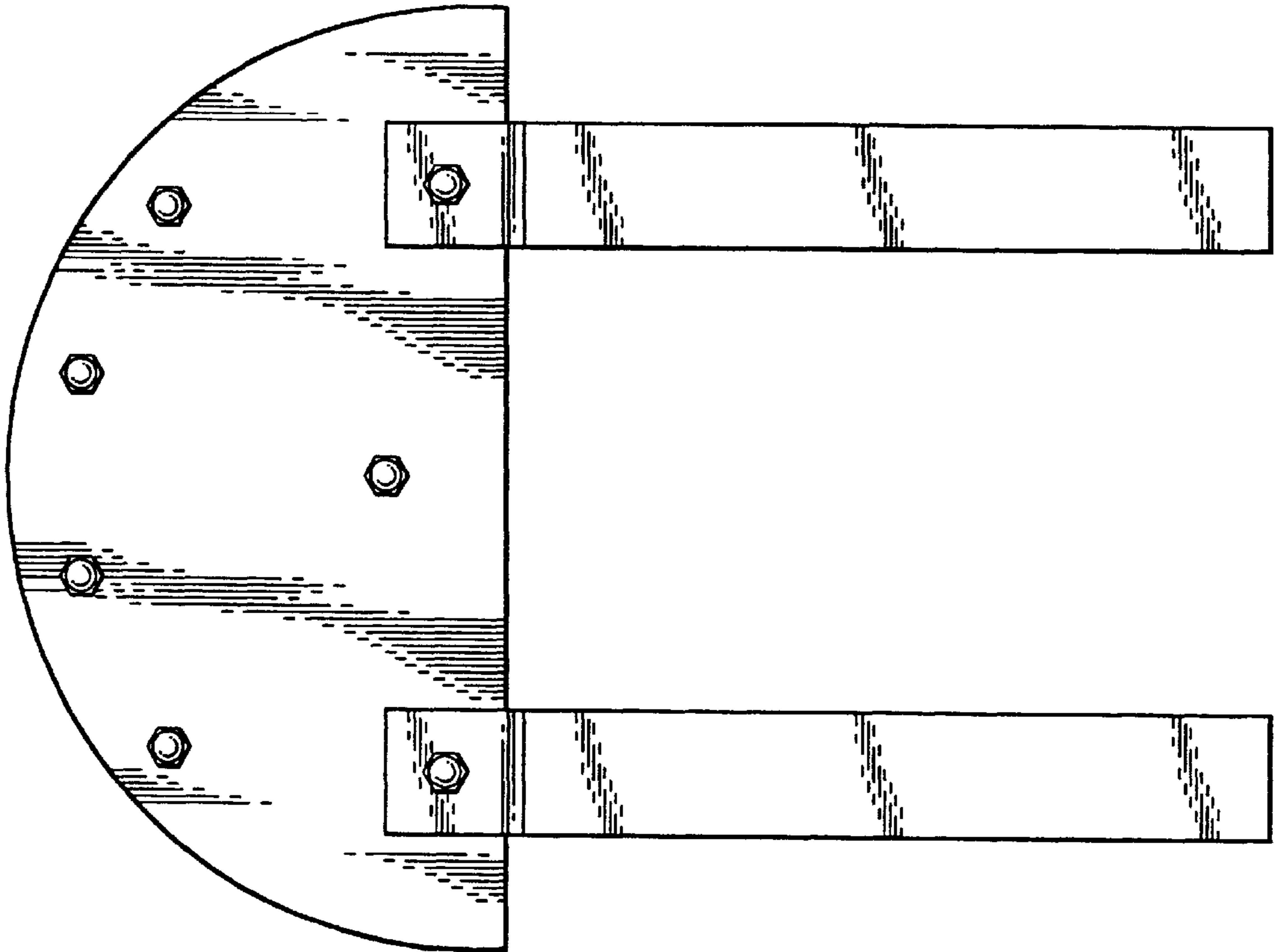


Fig. 5