



US00D420120S

United States Patent [19]
Evans

[11] **Patent Number: Des. 420,120**
[45] **Date of Patent: ** Feb. 1, 2000**

[54] **COMBINED CEILING FAN AND LIGHT FIXTURE**

Attorney, Agent, or Firm—Garrison, Morris & Haight, PLLC

[75] Inventor: **Richard O. Evans**, Memphis, Tenn.

[57] **CLAIM**

[73] Assignee: **Hunter Fan Company**, Memphis, Tenn.

The ornamental design for a combined ceiling fan and light fixture, as shown and described.

[**] Term: **14 Years**

DESCRIPTION

[21] Appl. No.: **29/101,391**

FIG. 1 is a perspective view of a combined ceiling fan and light fixture showing my new design;

[22] Filed: **Mar. 3, 1999**

FIG. 2 is a perspective view of the design shown in FIG. 1 with the environmental structure removed therefrom;

[51] **LOC (7) Cl.** **23-04**

[52] **U.S. Cl.** **D23/377; D23/379; D23/385; D26/59**

FIG. 3 is a front view of FIG. 2;

[58] **Field of Search** D23/377, 379, D23/385, 411, 413; 416/5; 392/364; 362/96; D26/59, 51, 72, 81-86

FIG. 4 is a right-side view of FIG. 2;

FIG. 5 is a rear view of FIG. 2;

FIG. 6 is a left-side view of FIG. 2;

FIG. 7 is a top view of FIG. 2;

[56] **References Cited**

FIG. 8 is a bottom view of FIG. 2; and,

U.S. PATENT DOCUMENTS

FIG. 9 is an enlarged perspective view of FIG. 2 with the fan blades shown broken away for ease of illustration.

D. 408,904 4/1999 Liu D23/377

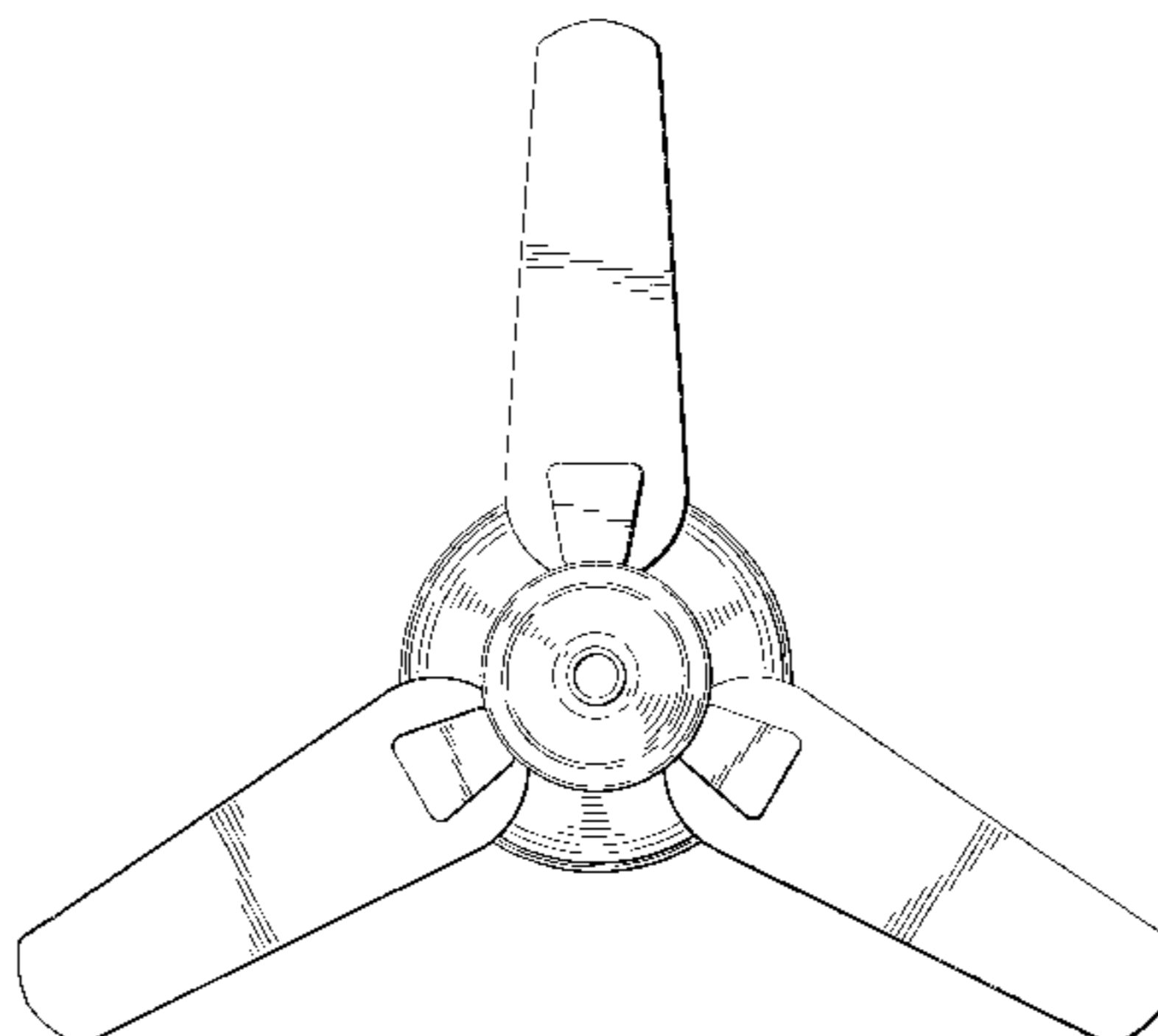
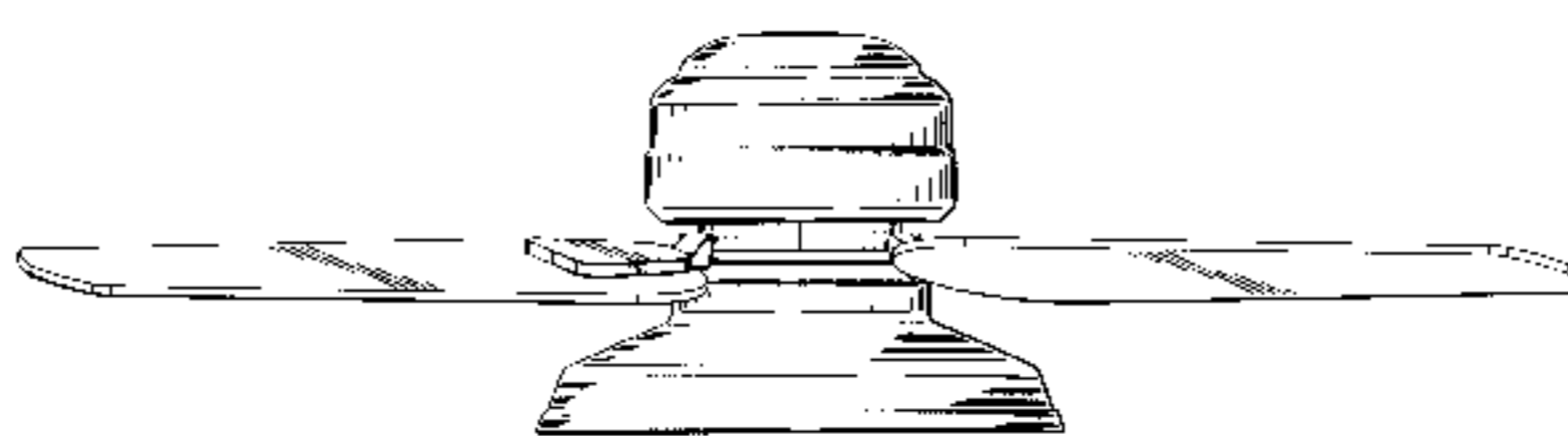
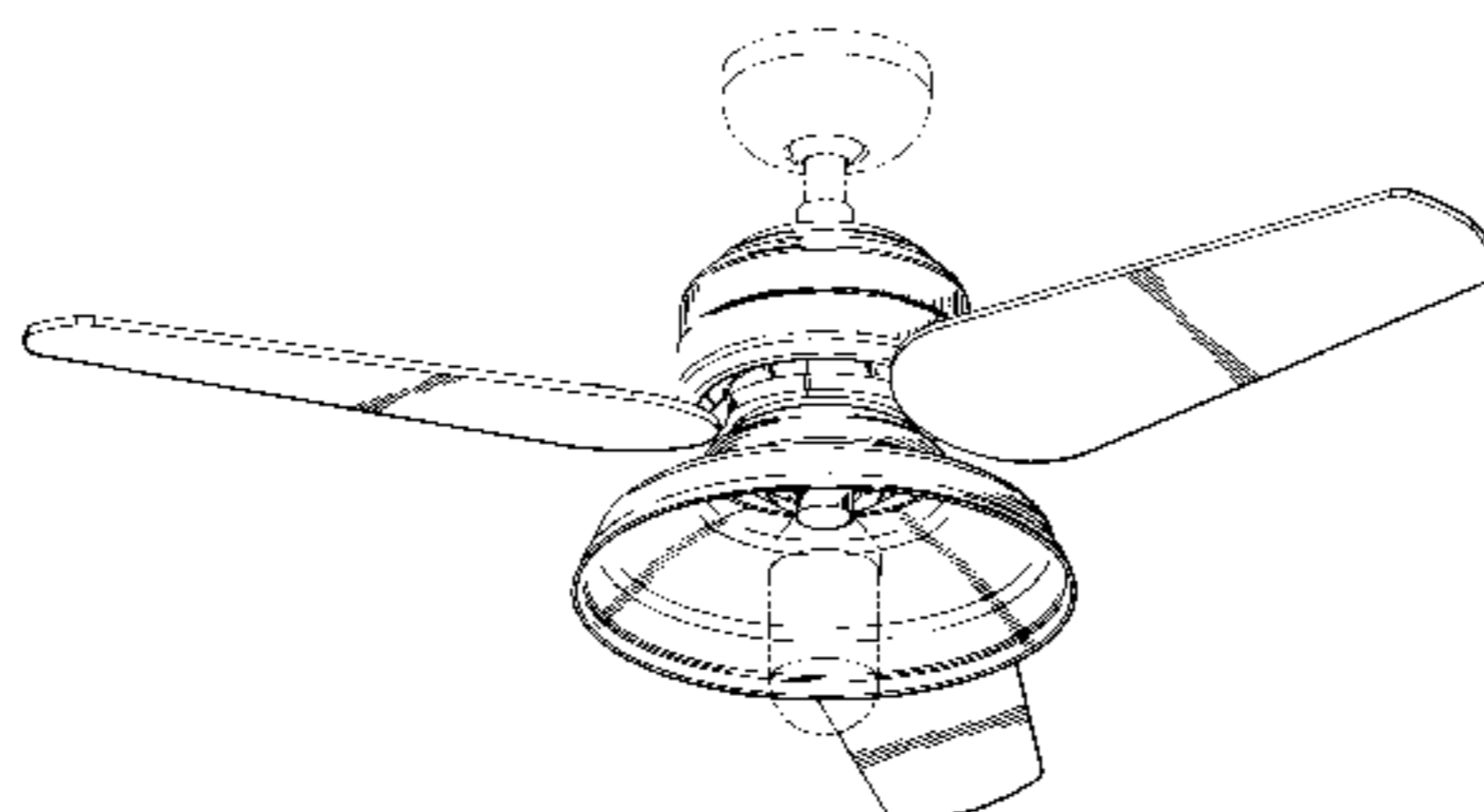
The broken line showing of environmental structure shown in FIG. 1 is for illustrative purposes only and forms no part of the claimed design.

OTHER PUBLICATIONS

Cassablanca Fan Co. Cat., p. 16, Ceiling Fan (A), top left side of page.

Primary Examiner—Lisa Lichtenstein

1 Claim, 9 Drawing Sheets



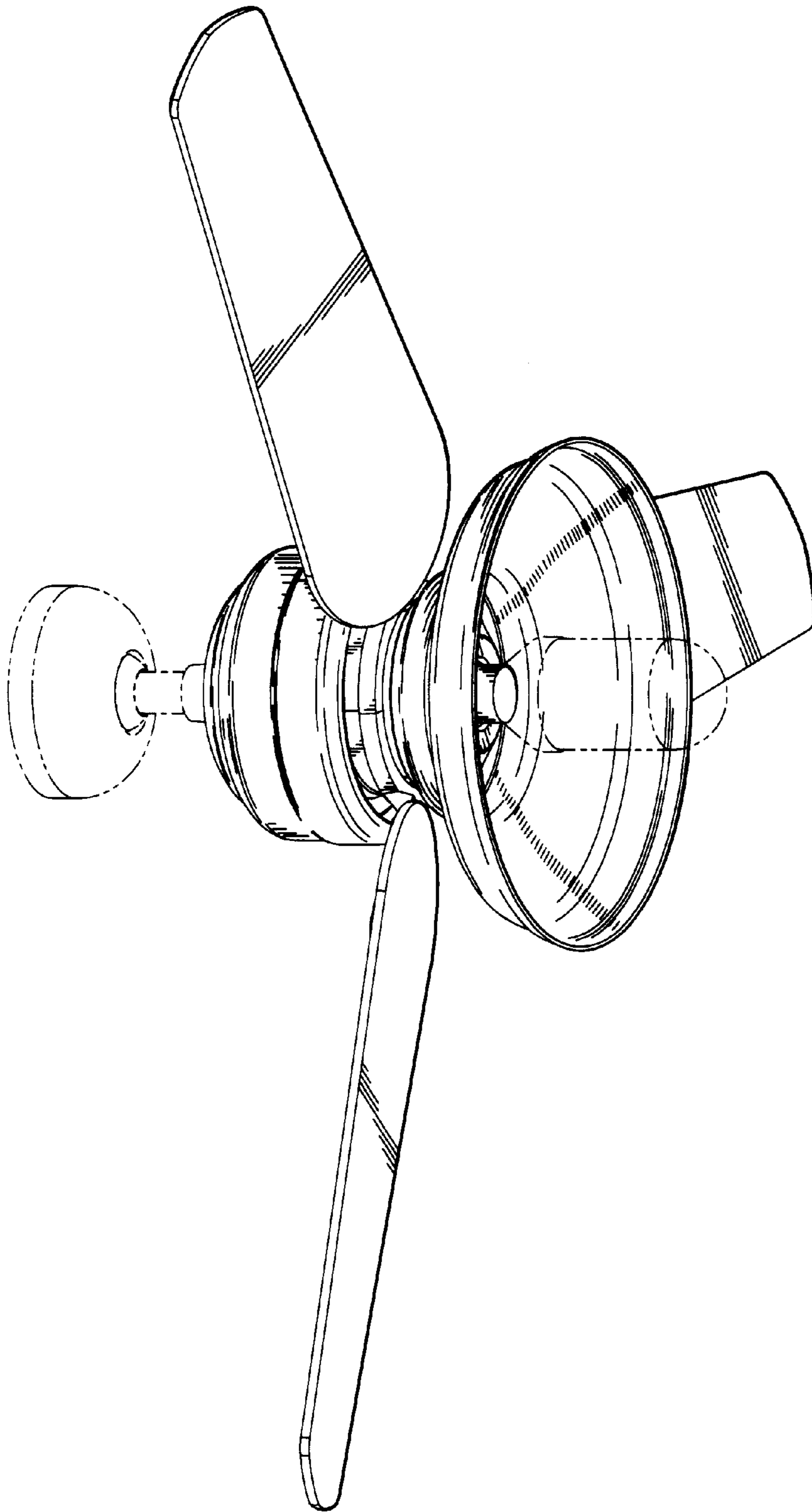


FIG 1

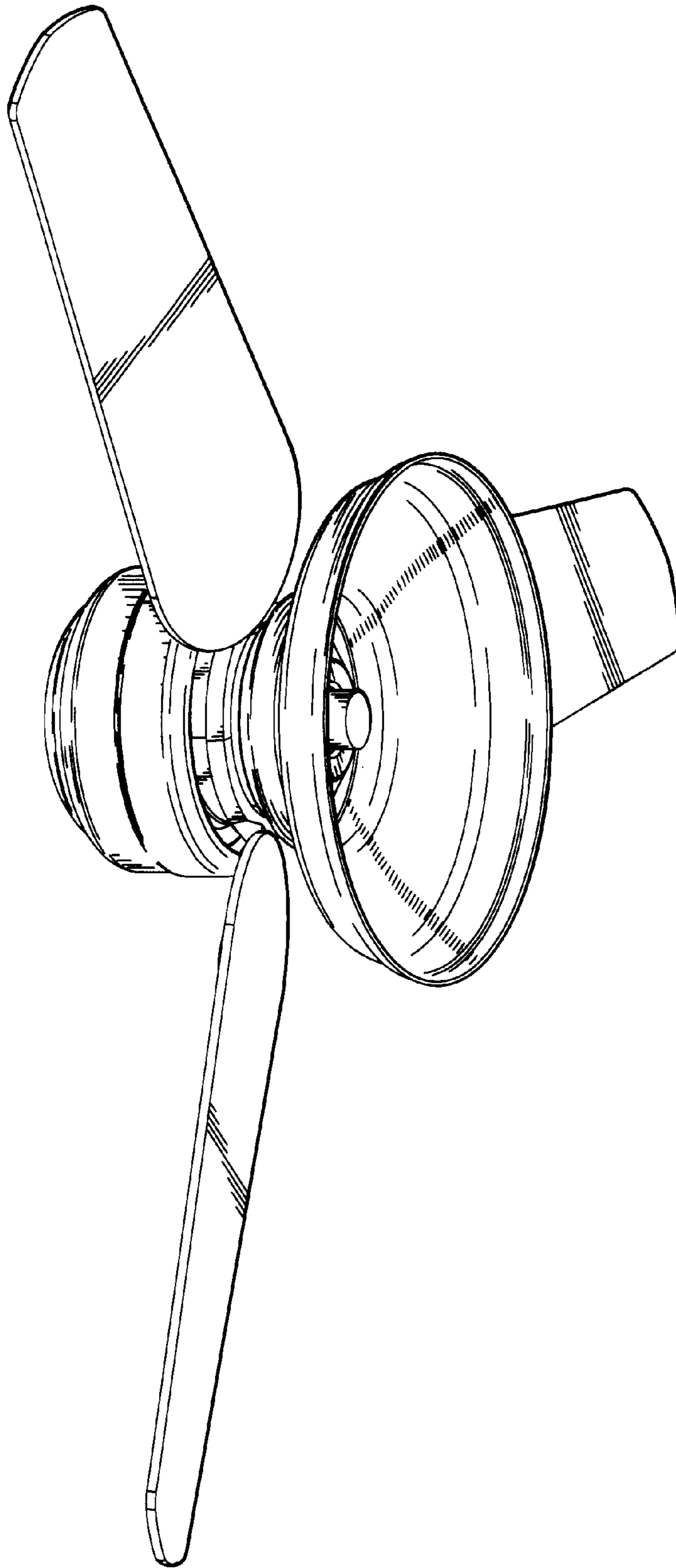


FIG 2

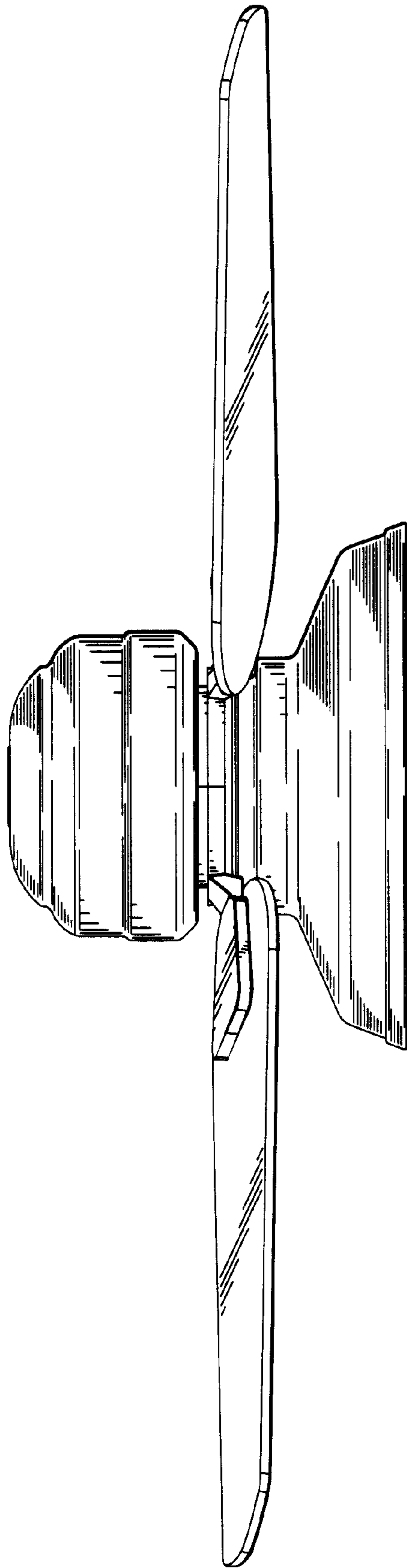


FIG 3

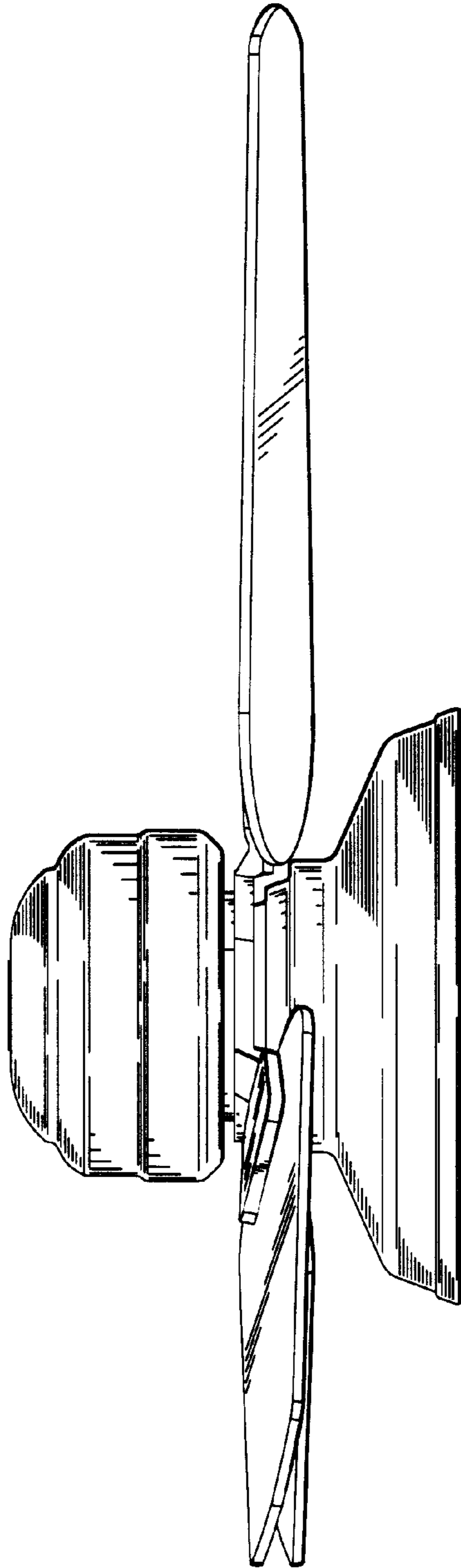


FIG 4

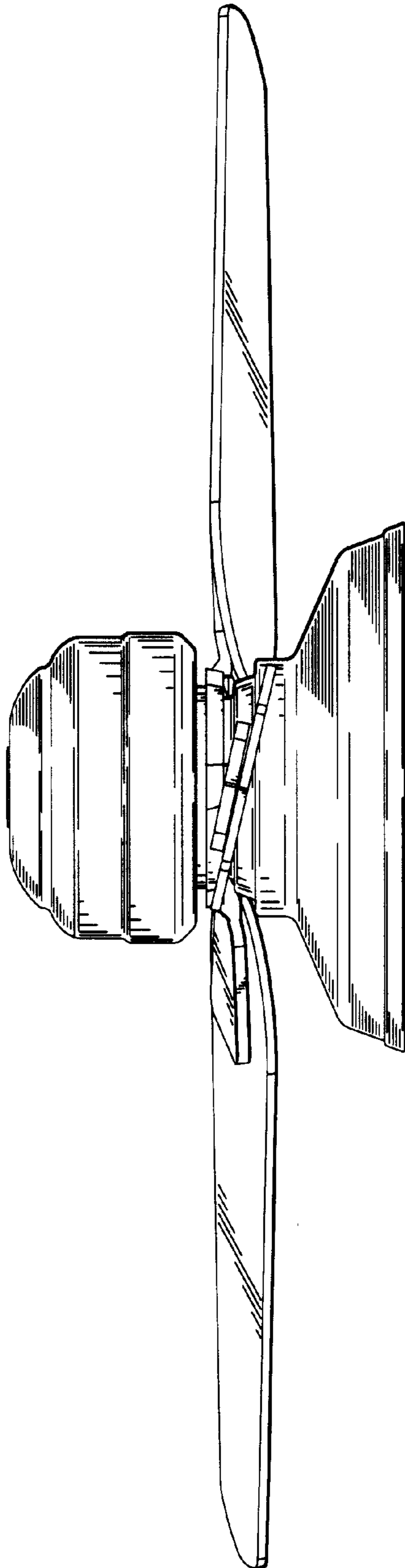


FIG 5

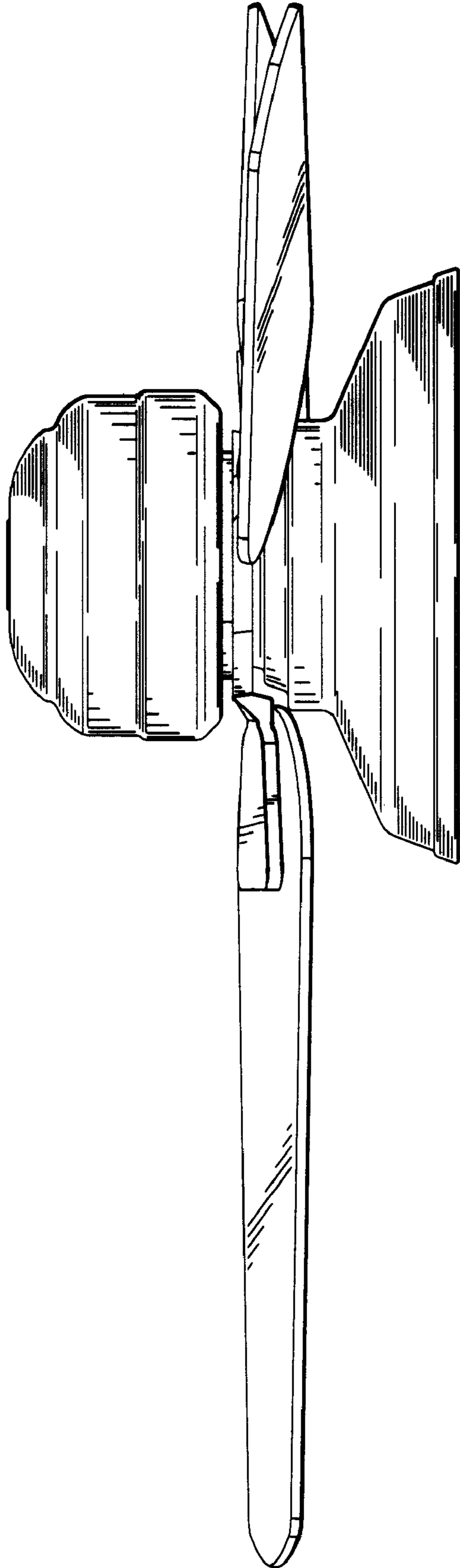


FIG 6

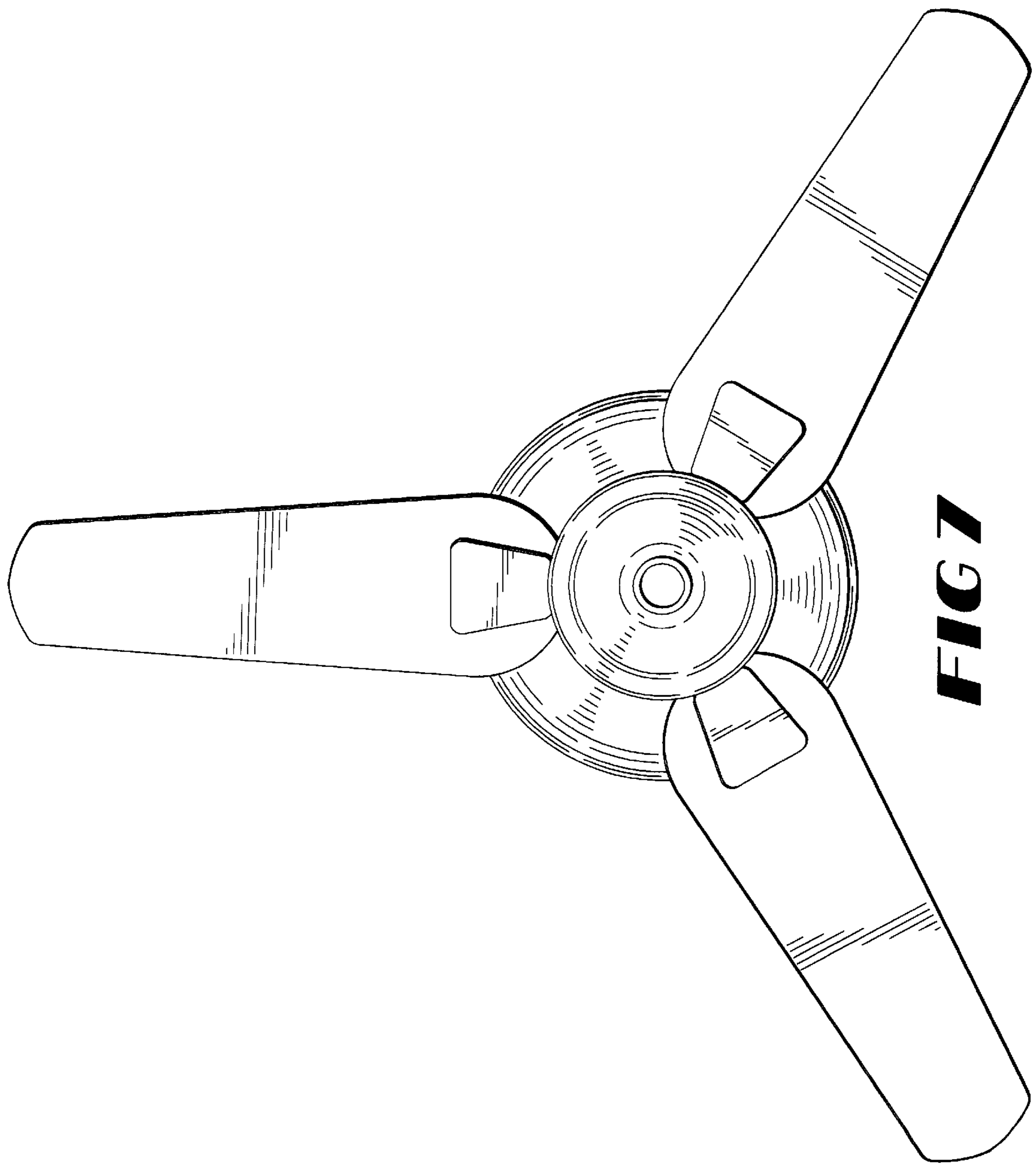


FIG 7

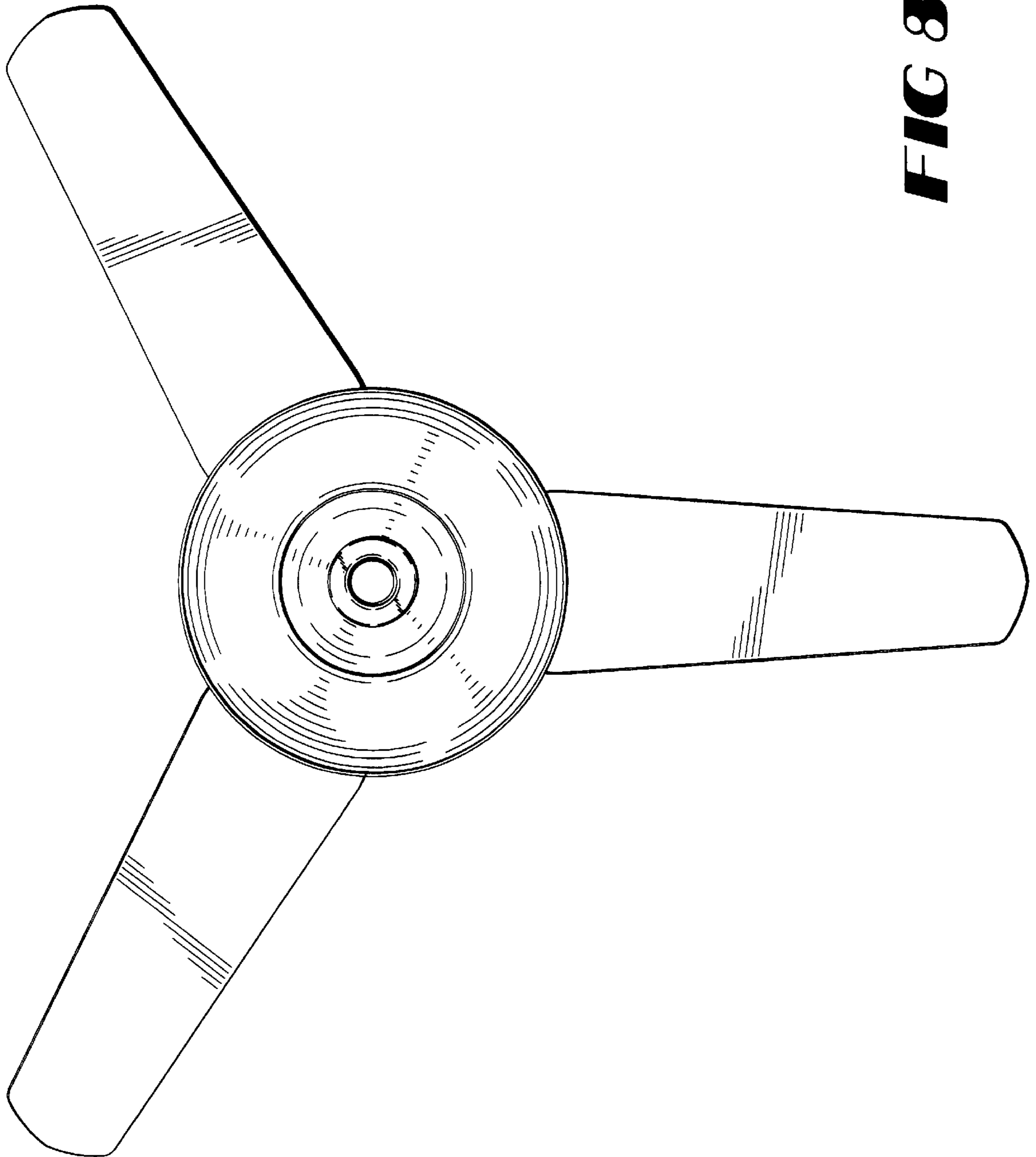


FIG 8

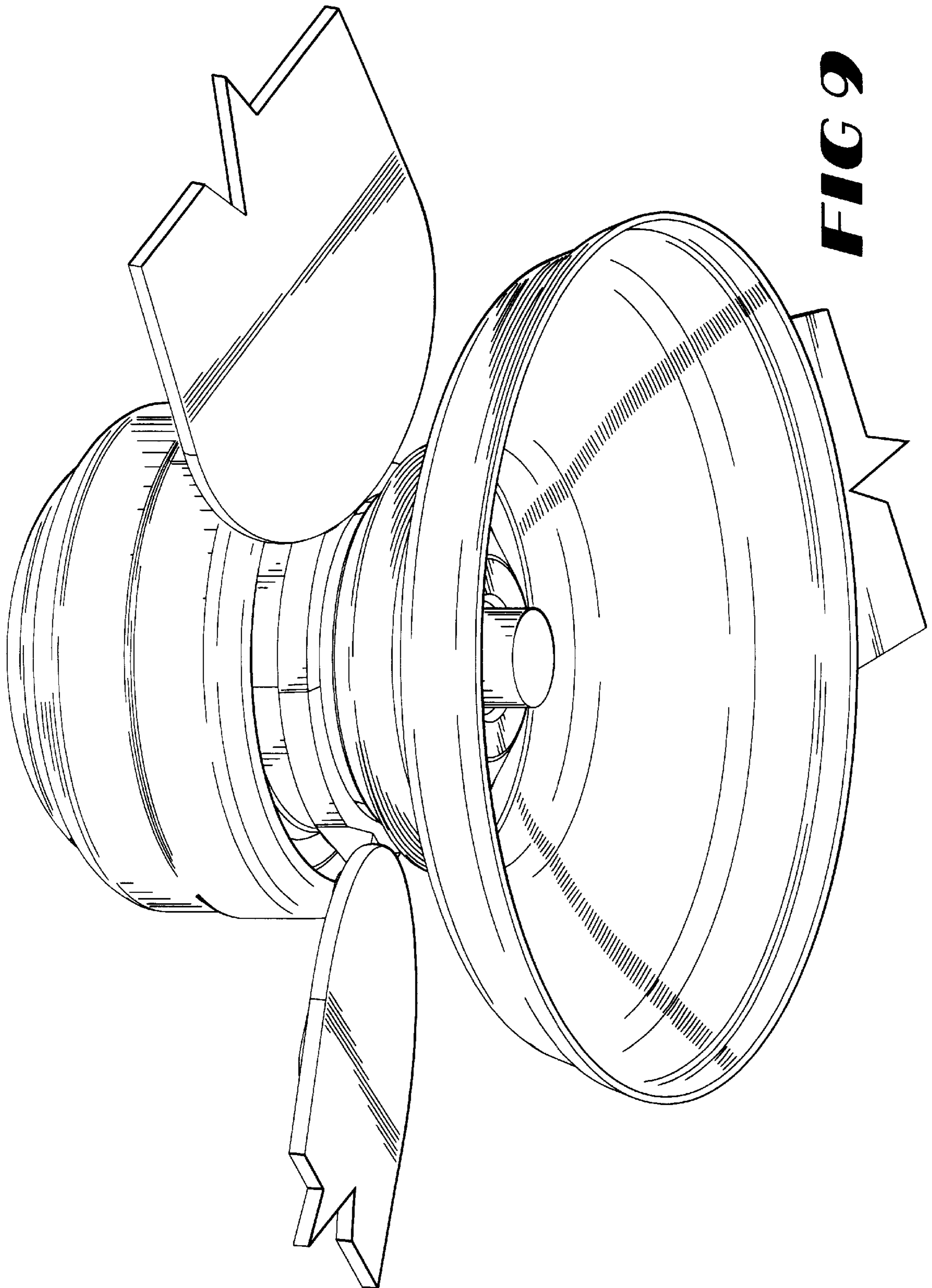


FIG 9