



US00D420119S

United States Patent [19]

[11] Patent Number: **Des. 420,119**

Neff et al.

[45] Date of Patent: **** Feb. 1, 2000**

[54] **KITCHEN EXHAUST HOOD**

D. 380,823 7/1997 La Zar D23/372

[75] Inventors: **Paul J. Neff**, Mississauga; **Richard Byard**, Brampton, both of Canada

Primary Examiner—Lisa Lichtenstein
Attorney, Agent, or Firm—Bereskin & Parr

[73] Assignee: **Neff Kitchen Manufacturers Limited**, Brampton, Canada

[57] CLAIM

[**] Term: **14 Years**

The ornamental design for a kitchen exhaust hood, as shown.

[21] Appl. No.: **29/090,785**

DESCRIPTION

[22] Filed: **Jul. 16, 1998**

[30] Foreign Application Priority Data

Jan. 16, 1998 [CA] Canada 19980099

[51] **LOC (7) Cl.** **23-04**

[52] **U.S. Cl.** **D23/372**

[58] **Field of Search** D23/372, 370, D23/371, 393, 387; D7/402; 126/299 D; 454/67

FIG. 1 is a perspective view from above of the kitchen exhaust hood according to our design;

FIG. 2 is a top plan view;

FIG. 3 is a front elevational view;

FIG. 4 is a rear elevational view;

FIGS. 5 and 6 are right and left-side elevational views respectively; and,

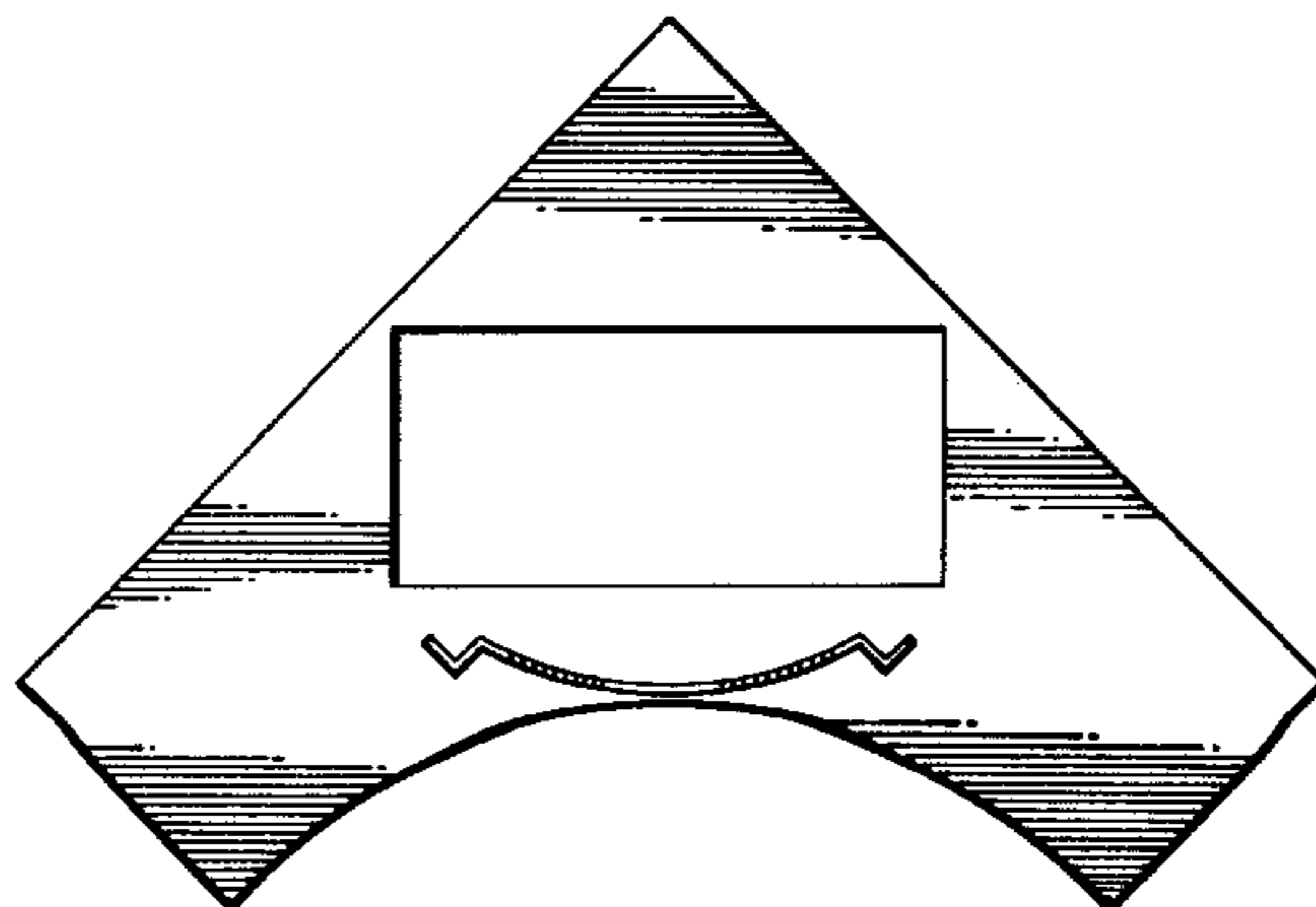
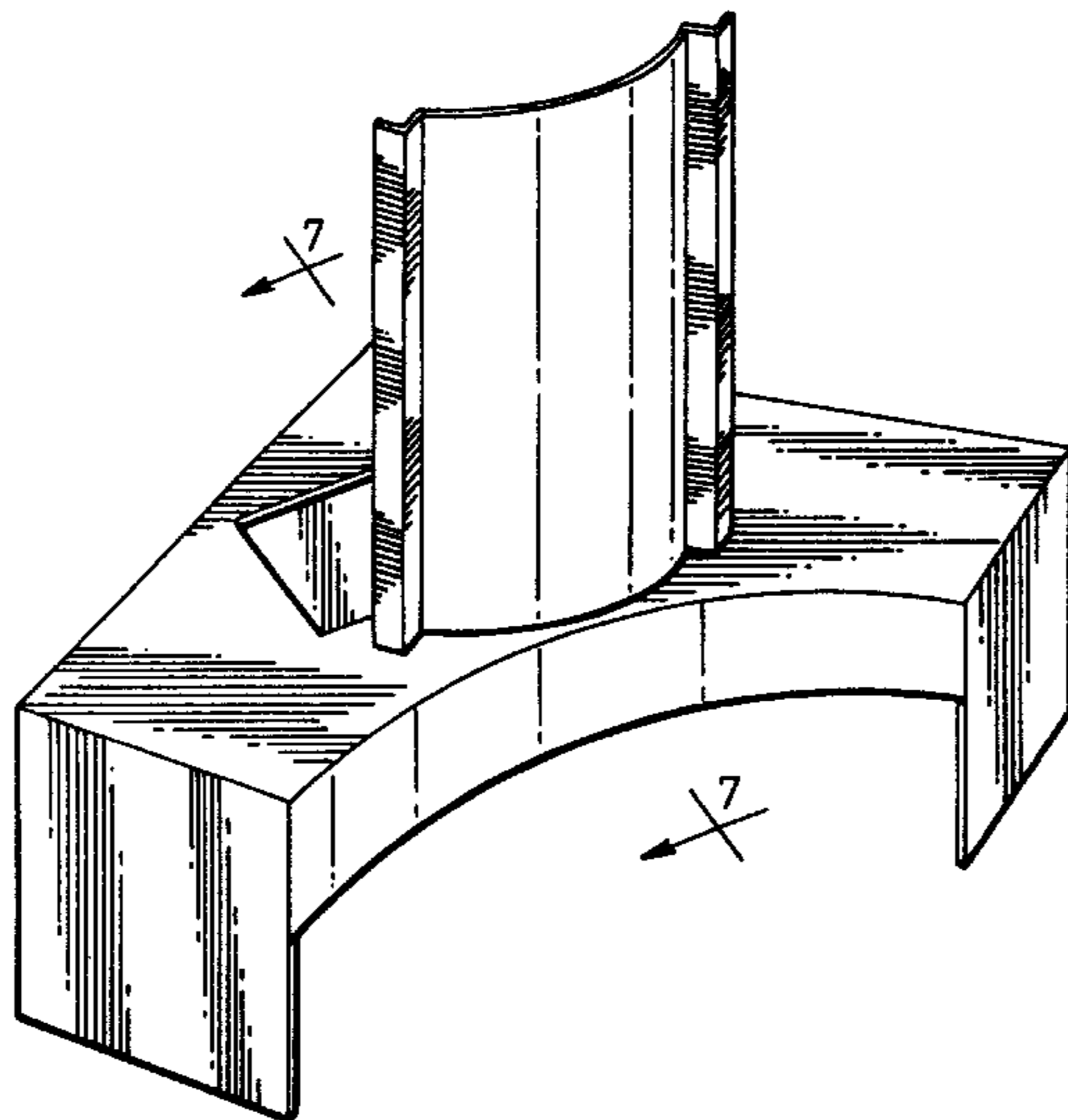
FIG. 7 is a sectional view taken along line 7—7 of FIG. 1.

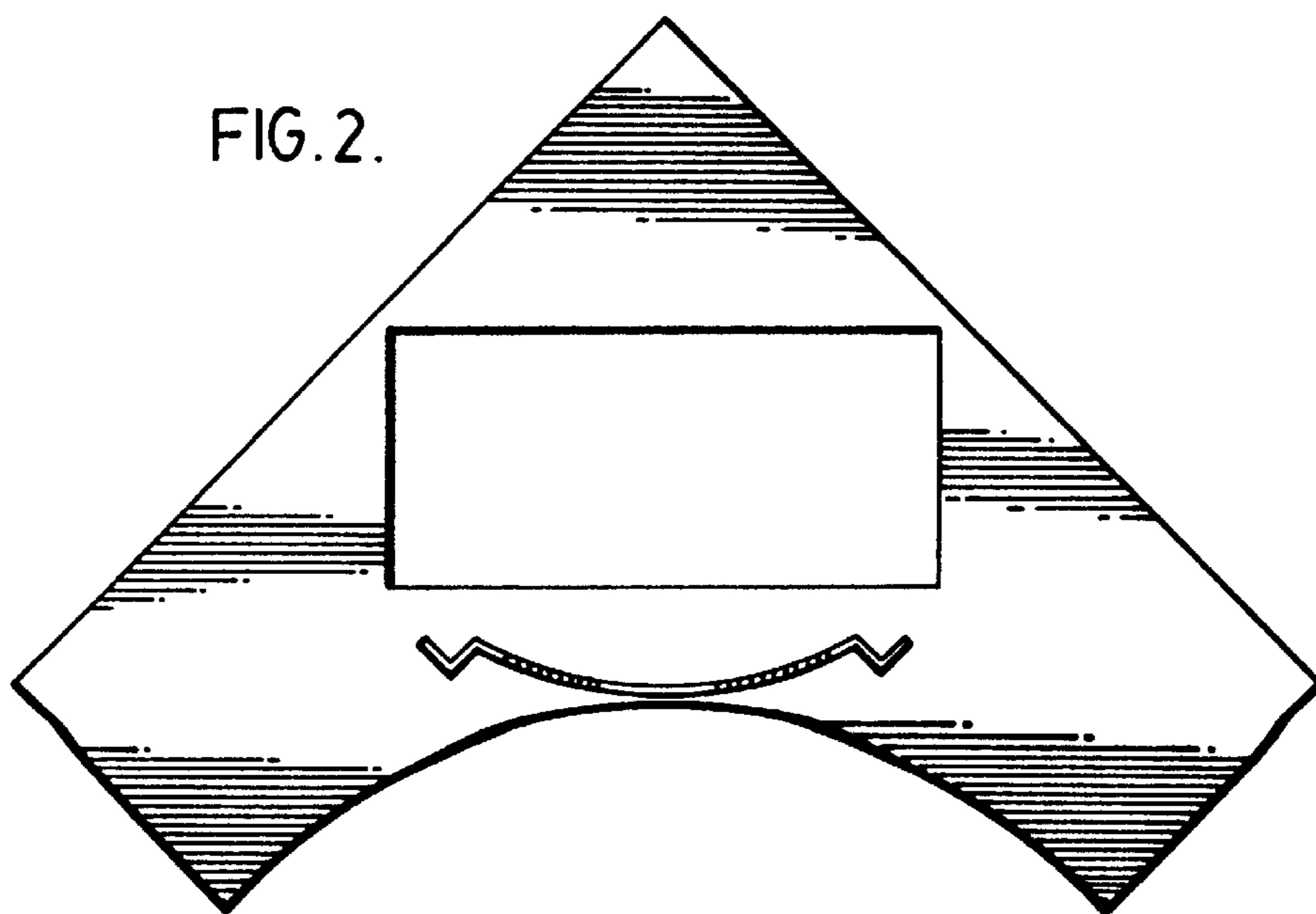
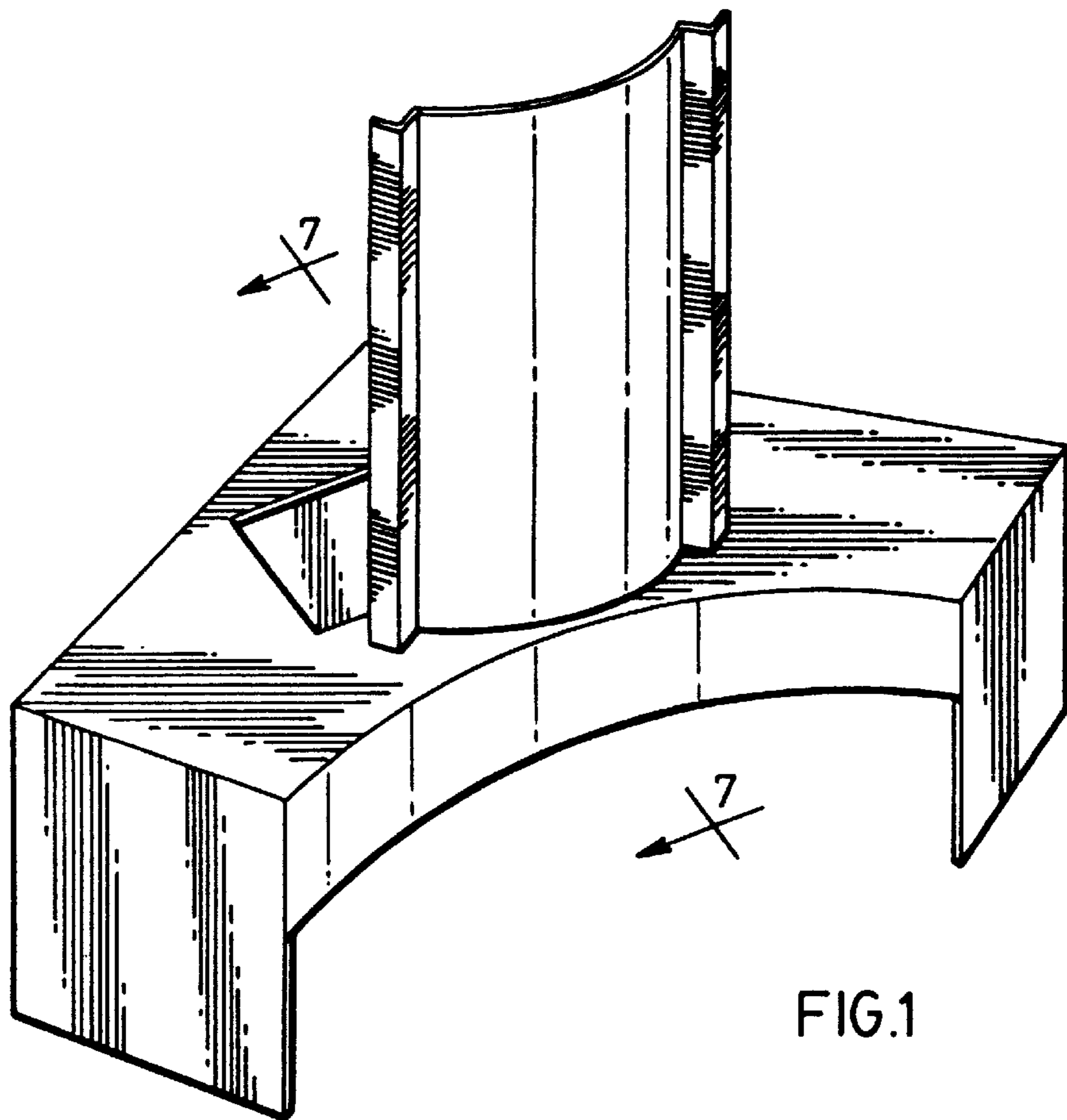
[56] References Cited

U.S. PATENT DOCUMENTS

D. 379,501 5/1997 Airosa et al. D23/372

1 Claim, 3 Drawing Sheets





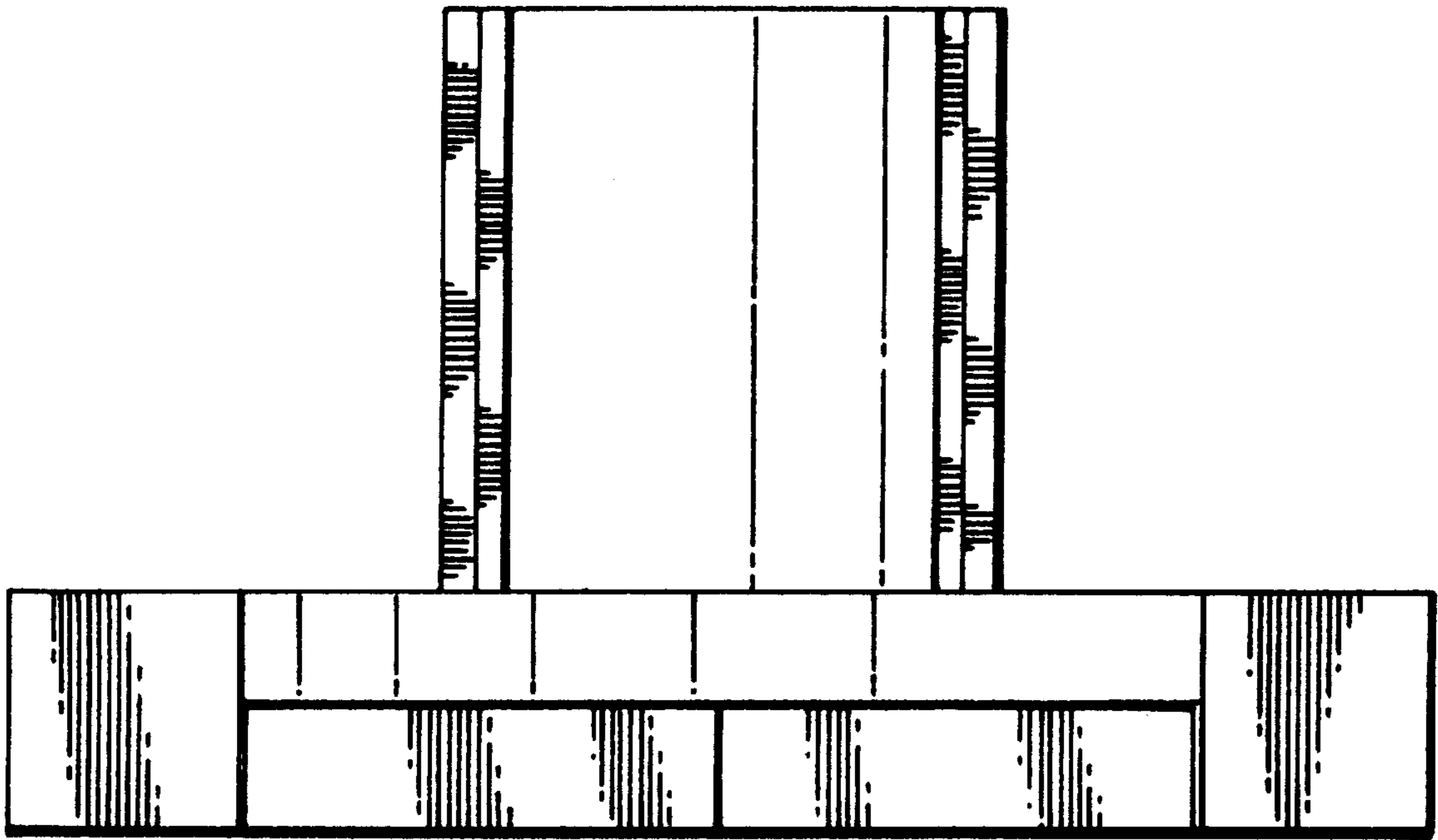


FIG. 3.

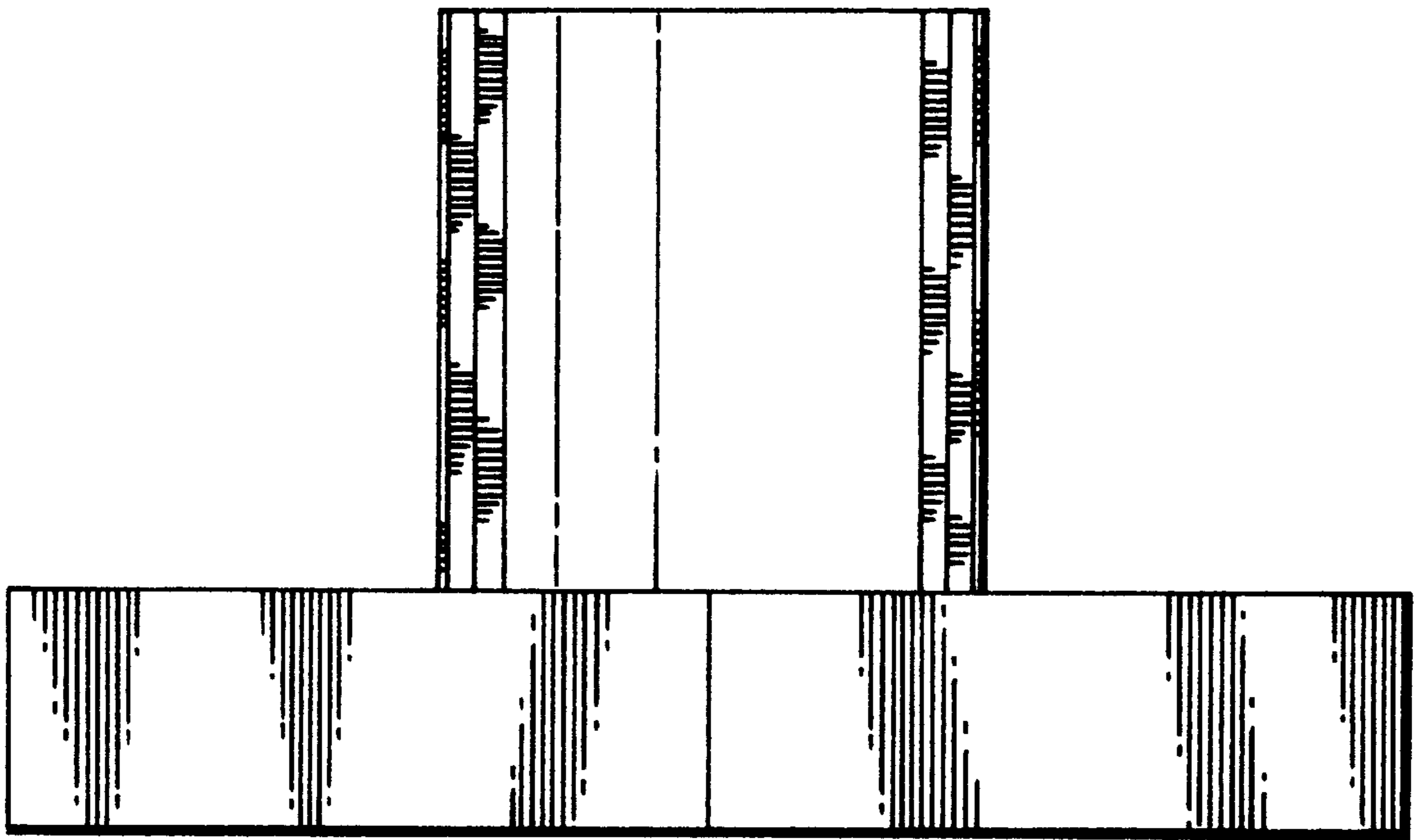


FIG. 4.

FIG. 5.

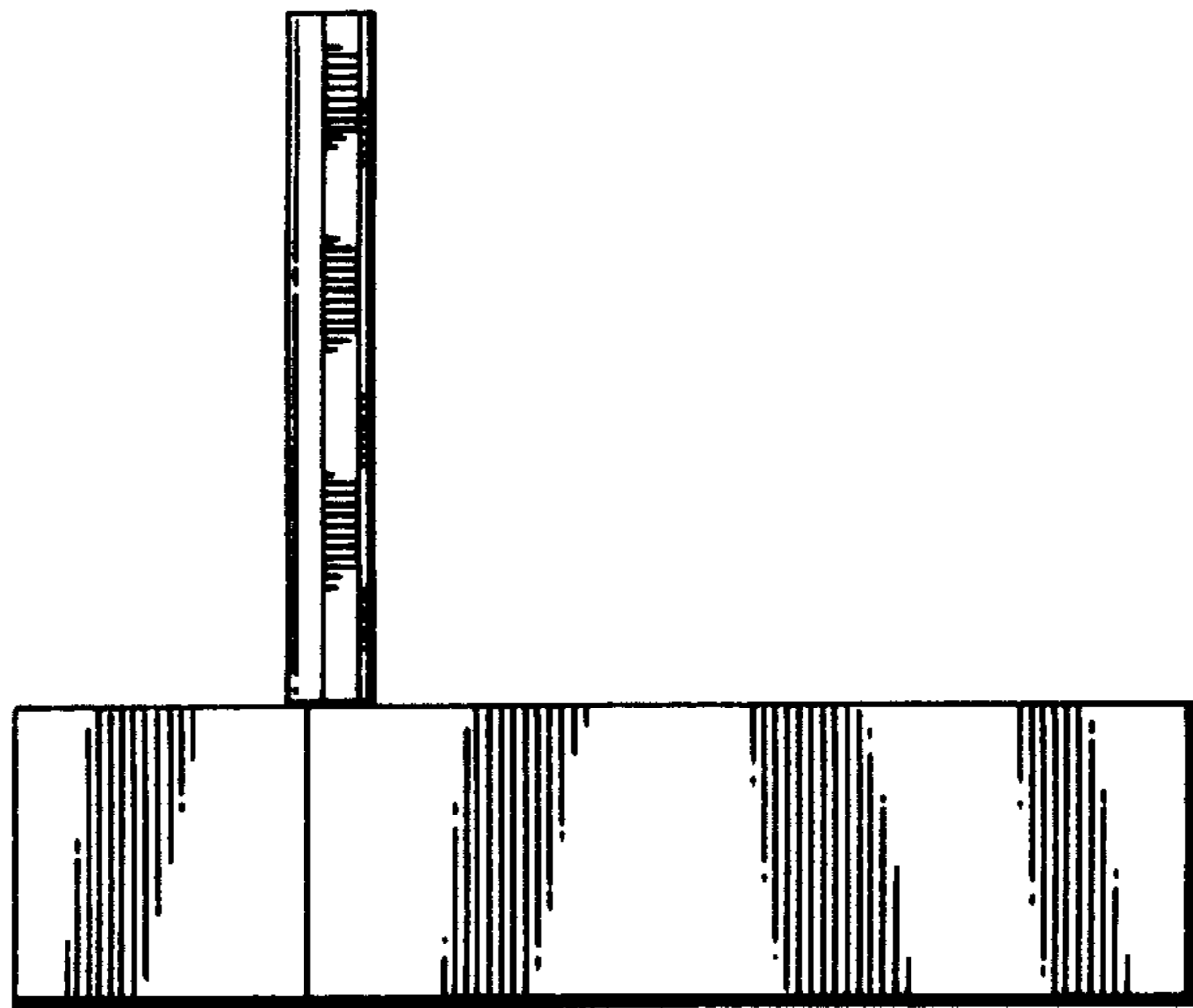


FIG. 6.

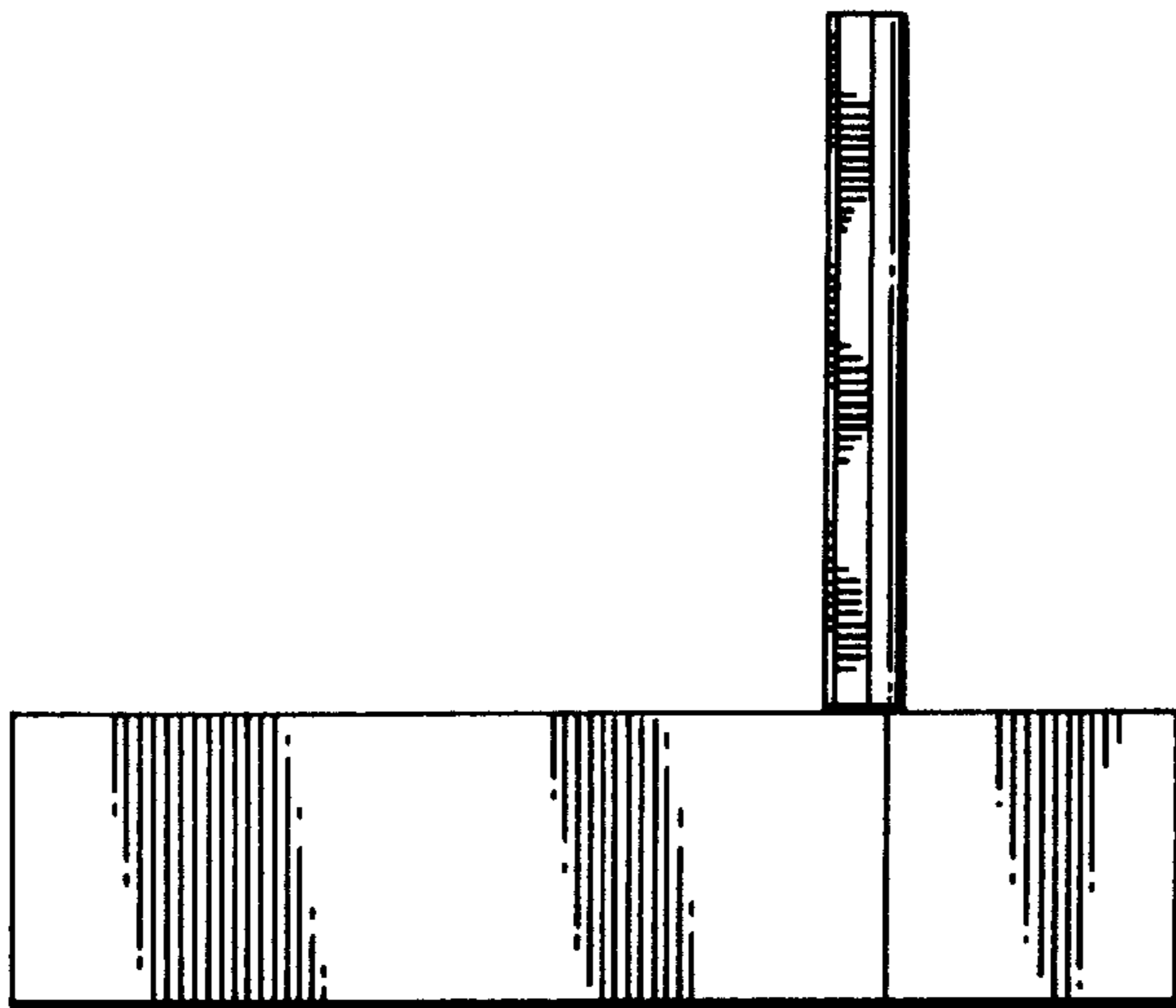


FIG. 7.

