



US00D420118S

# United States Patent [19]

Radko et al.

[11] Patent Number: **Des. 420,118**

[45] Date of Patent: **\*\* Feb. 1, 2000**

[54] **VENTILATOR**

[75] Inventors: **John Radko**, Irvine; **James Ronald Sechrist**, Newport Beach; **Robert Jantz**, Tustin; **Rick Hearn**; **Ray Y. Ong**, both of Yorba Linda; **Eddie Chung**, Santa Ana; **Raymond Steve Leon**, Corona; **Matt F. Duncan**, San Clemente; **Maurice Brooks**, Loma Linda, all of Calif.

[73] Assignee: **Sechrist Industries, Inc.**, Anaheim, Calif.

[\*\*] Term: **14 Years**

[21] Appl. No.: **29/095,849**

[22] Filed: **Oct. 30, 1998**

[51] **LOC (7) Cl.** ..... **23-04**

[52] **U.S. Cl.** ..... **D23/370**

[58] **Field of Search** ..... D23/370, 324; 416/247 R; 415/121.2, 182.1, 213.1

[56] **References Cited**

### U.S. PATENT DOCUMENTS

D. 329,690 9/1992 Radko et al. .... D23/324

*Primary Examiner*—Lisa Lichtenstein  
*Attorney, Agent, or Firm*—Oppenheimer Wolff & Donnelly LLP

[57] **CLAIM**

The ornamental design for a ventilator, as shown and described.

### DESCRIPTION

FIG. 1 is a perspective view of a ventilator; FIG. 2 is a front elevational view thereof; FIG. 3 is a right side elevational view thereof; FIG. 4 is a left side elevational view thereof; FIG. 5 is a rear elevational view thereof; FIG. 6 is a top plan view thereof; and, FIG. 7 is a bottom plan view thereof.

**1 Claim, 4 Drawing Sheets**

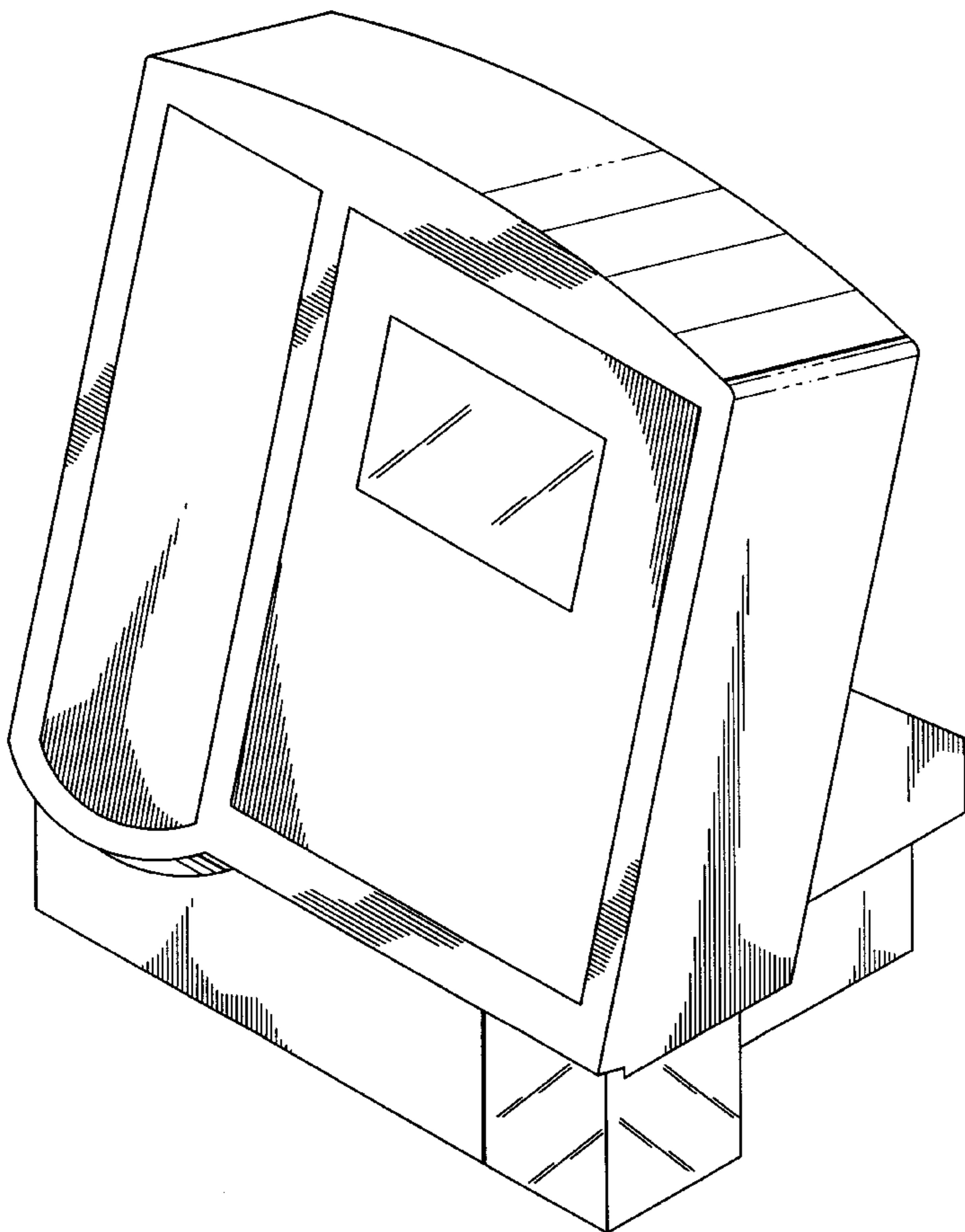


FIG. 1

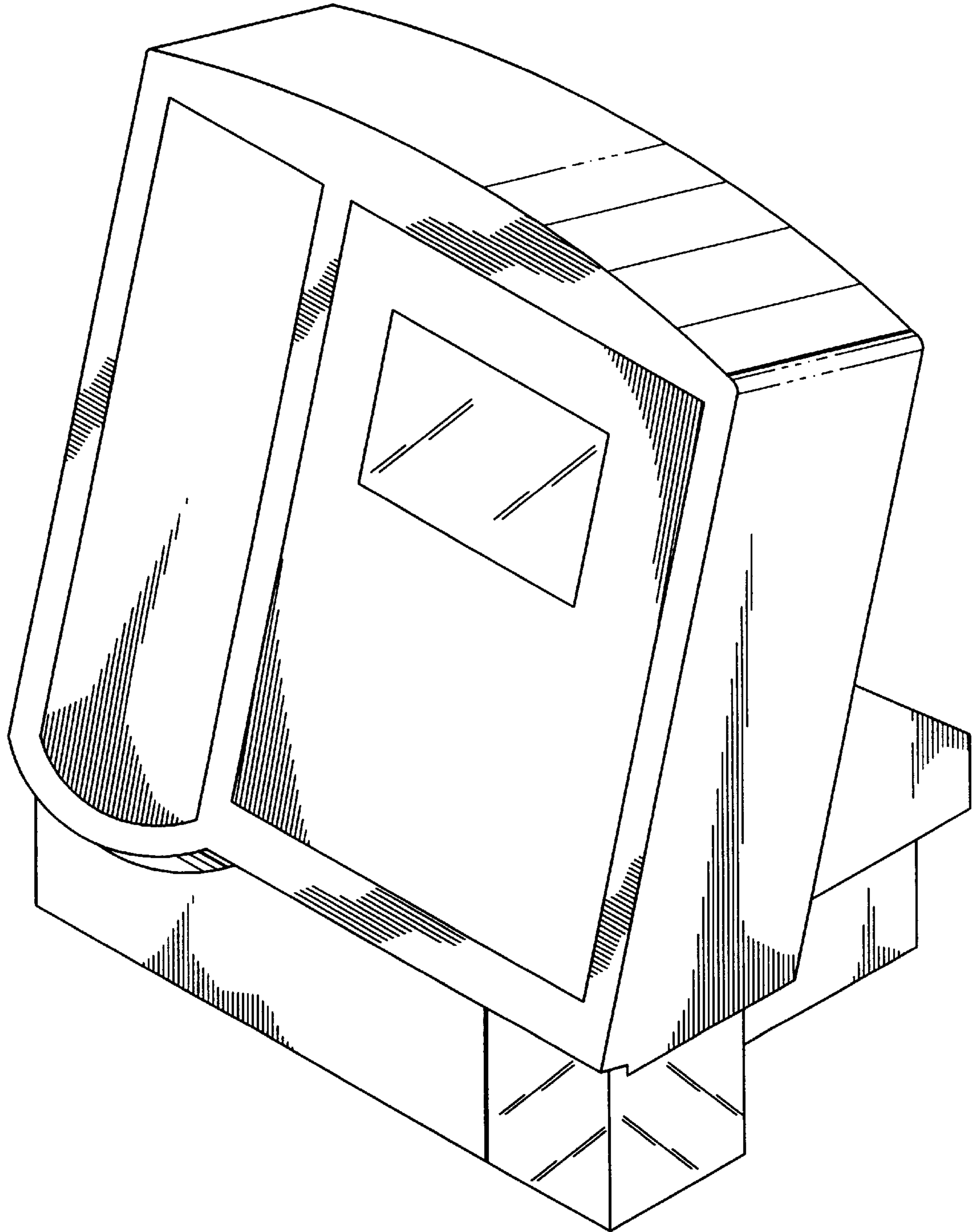


FIG. 3

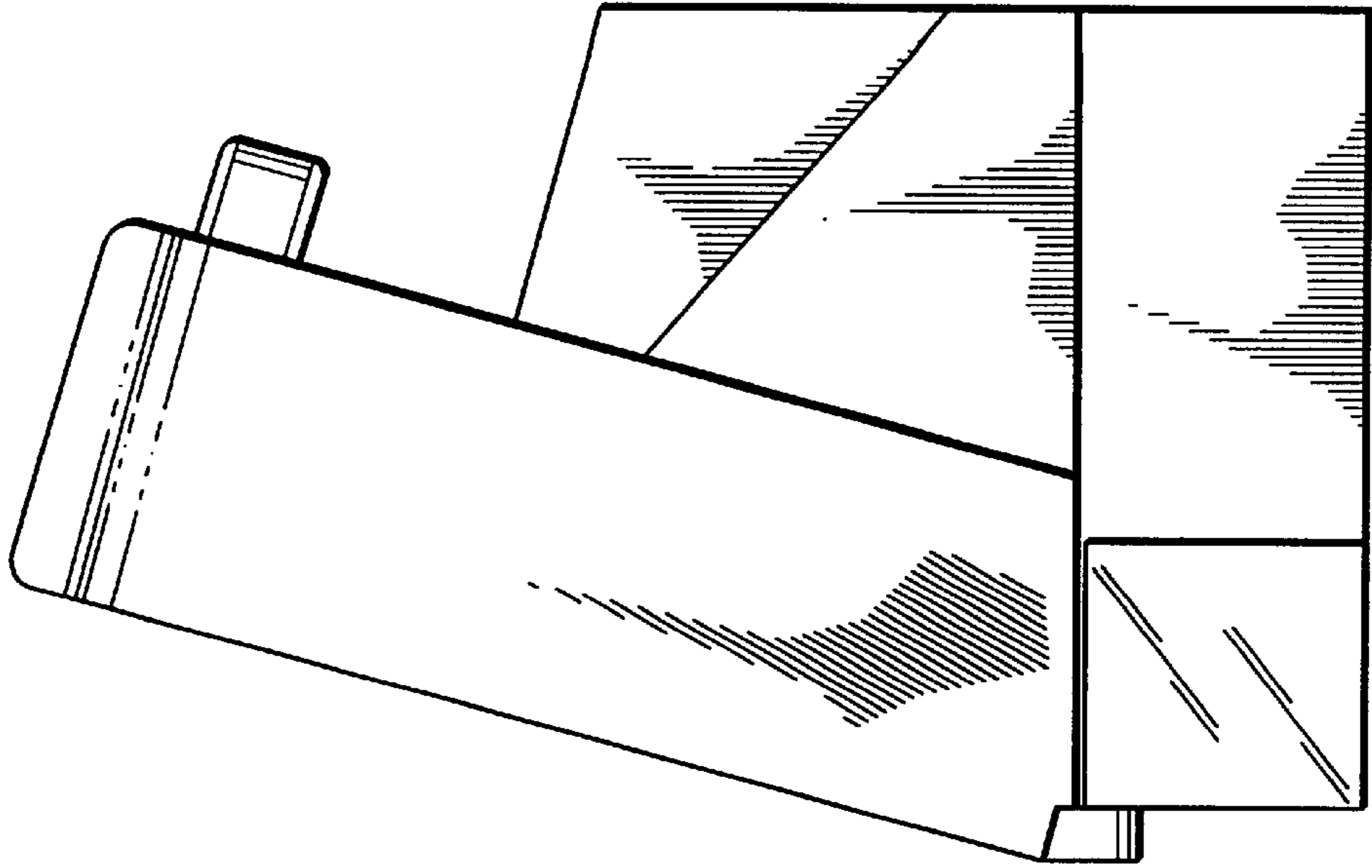


FIG. 2

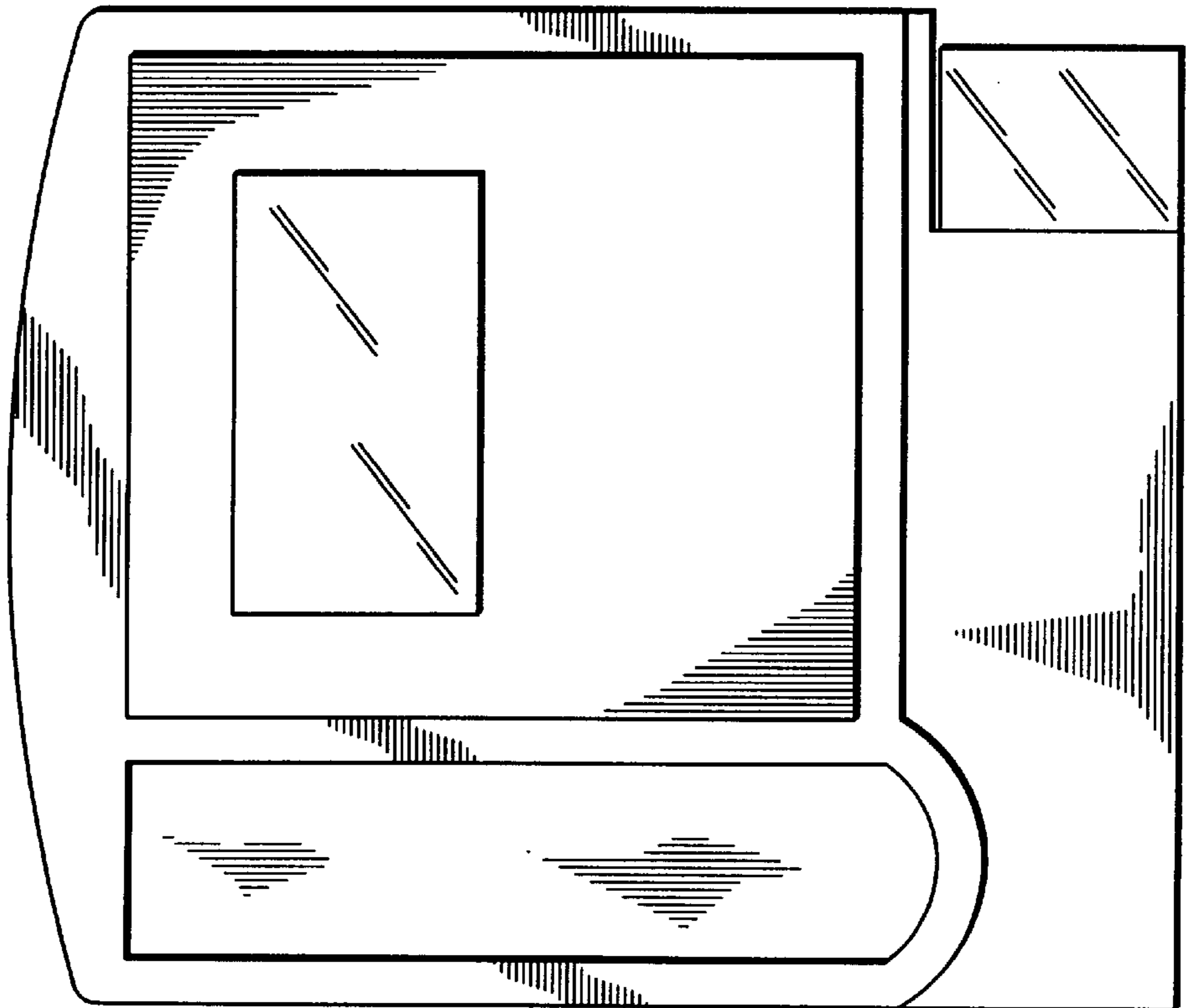


FIG. 5

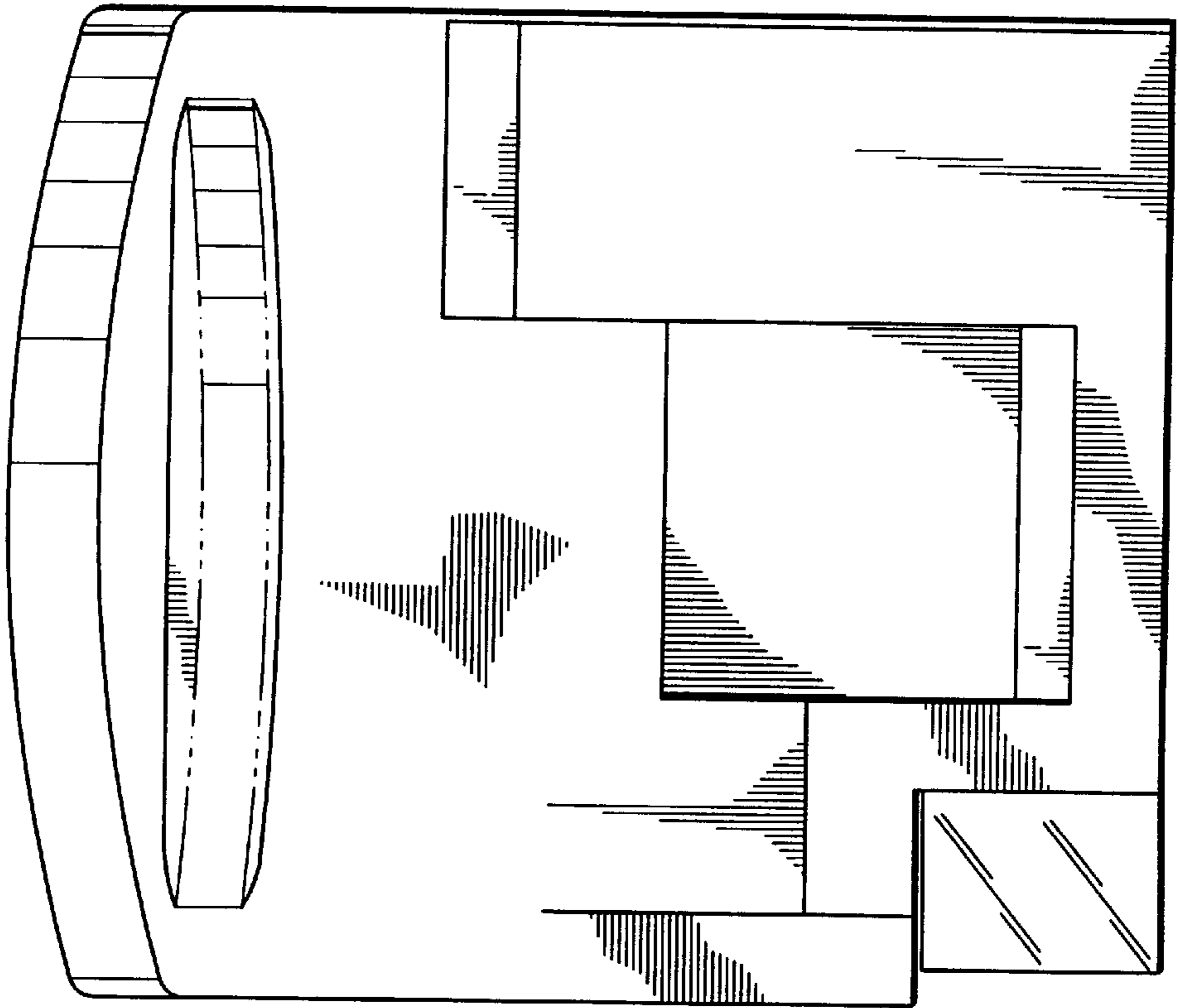
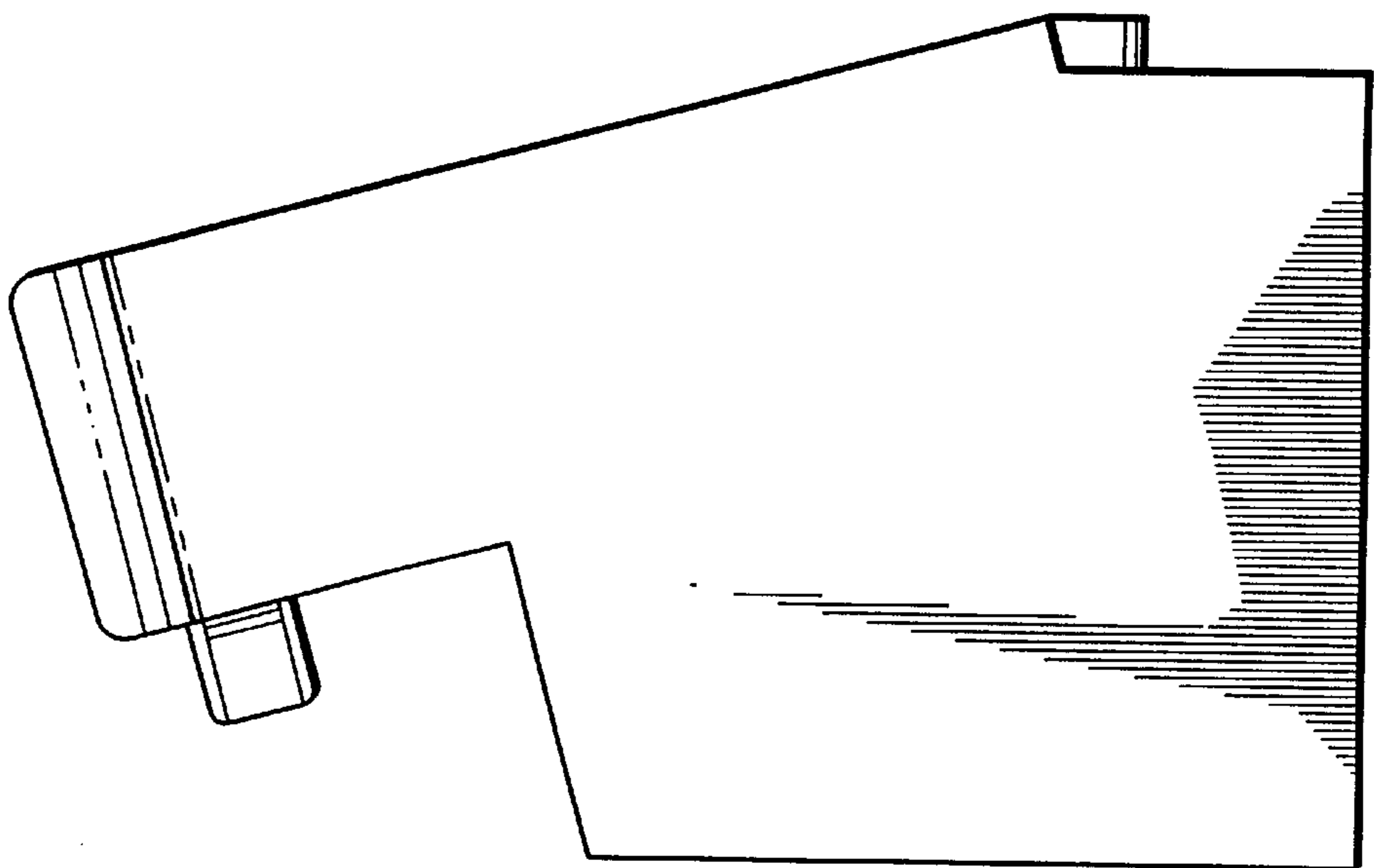


FIG. 4



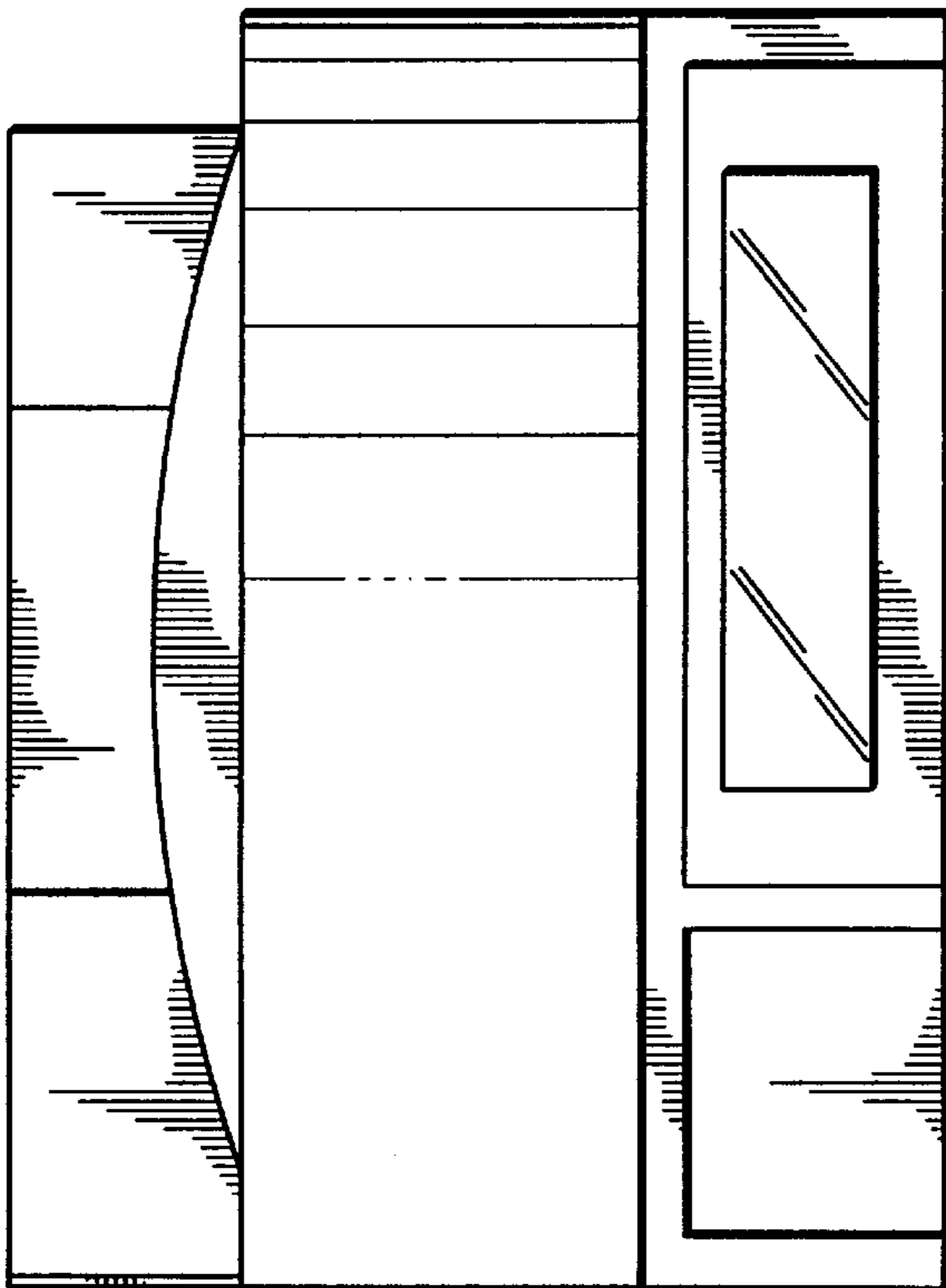


FIG. 6

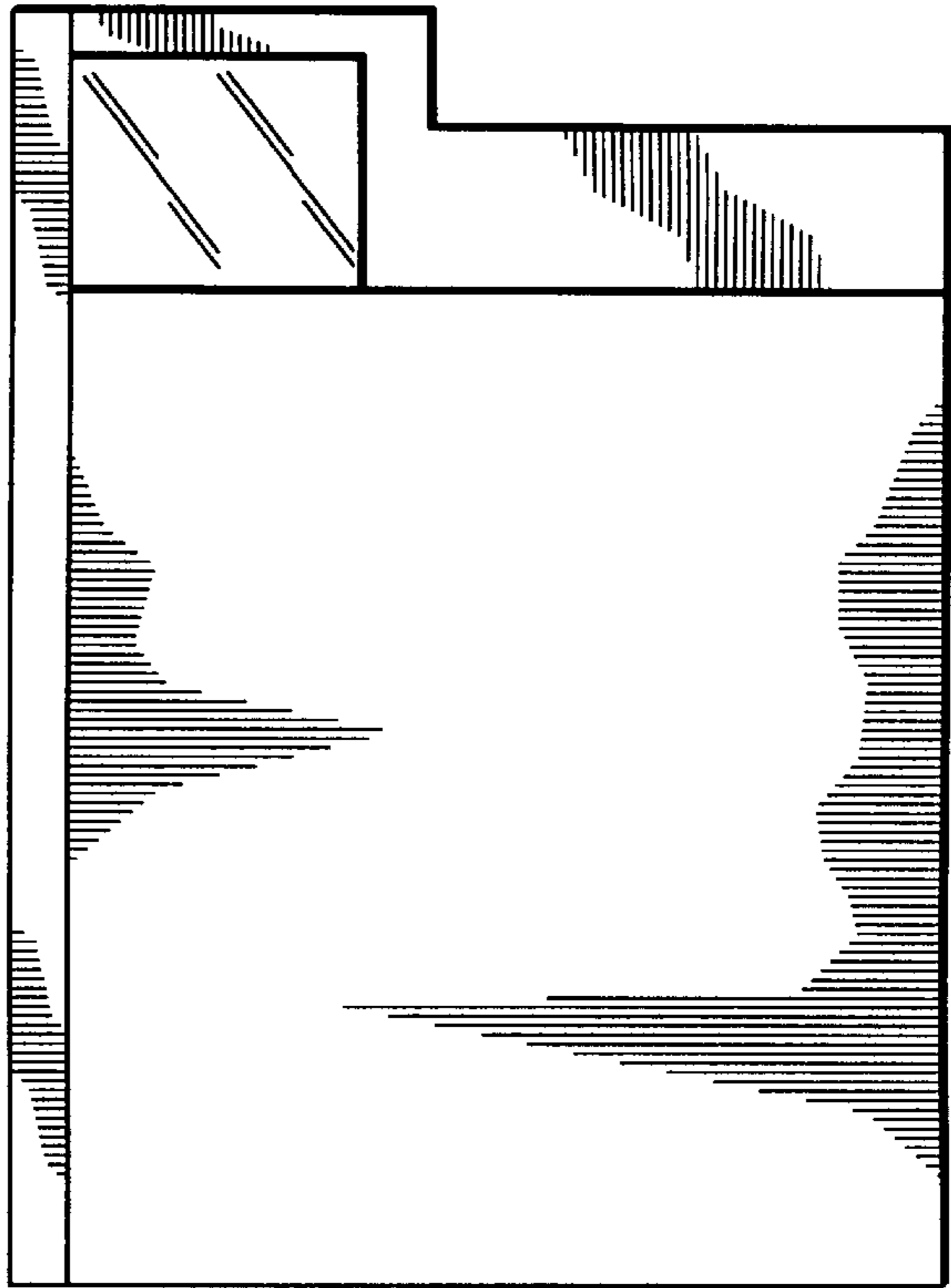


FIG. 7