



US00D420115S

United States Patent [19]

[11] Patent Number: **Des. 420,115**

Bach et al.

[45] Date of Patent: **** Feb. 1, 2000**

[54] **OUTDOOR FIREPLACE**

[75] Inventors: **Kent Bach**, Bensenville; **Jeffrey T. Grady**, Naperville, both of Ill.; **Dick Smith**, Broken Arrow, Okla.

5,094,223 3/1992 Gonzalez .
5,596,980 1/1997 Whalen et al. .
5,598,834 2/1997 Grady .
5,832,915 11/1998 Skidmore et al. 126/519
5,836,298 11/1998 Grady .

[73] Assignee: **Fleming Sales Company**, Addison, Ill.

[**] Term: **14 Years**

FOREIGN PATENT DOCUMENTS

2916090 10/1979 Germany .
397287 8/1933 United Kingdom .

[21] Appl. No.: **29/074,636**

[22] Filed: **Aug. 7, 1997**

OTHER PUBLICATIONS

Weber Barbecue Catalog 1984; p. 15.
Backyard Max Installation Instructions Mar. 1994.
Coleman Outdoor Fireplace Assembly + Instruction Manual Sep. 1996.

[51] **LOC (7) Cl.** **23-03**

[52] **U.S. Cl.** **D23/348; D23/332**

[58] **Field of Search** D23/317, 335,
D23/336, 337, 348, 350; D7/334, 337,
332; 110/240-242; 126/506, 519, 548, 276,
225

Primary Examiner—B. J. Bullock
Attorney, Agent, or Firm—Vedder, Price, Kaufman & Kammholz

[56] **References Cited**

U.S. PATENT DOCUMENTS

D. 192,491 3/1962 Crownover .
D. 200,137 1/1965 Hanna .
D. 284,929 8/1986 Schlosser et al. .
D. 293,191 12/1987 Stephen et al. .
D. 318,327 7/1991 Sorensen D23/348
D. 375,347 11/1996 Whalen et al. .
D. 397,428 8/1998 Reitsma et al. D23/348
1,279,033 9/1918 Stollberg .
3,220,400 11/1965 Yager .
3,499,432 3/1970 Hannebaum .
3,809,058 5/1974 Becker .
4,112,913 9/1978 Shimek .
4,167,177 9/1979 Wiggins .
4,216,760 8/1980 Wiggins .
4,498,452 2/1985 Scholesser et al. .

[57] **CLAIM**

The ornamental design for an outdoor fireplace, as shown and described.

DESCRIPTION

FIG. 1 is a perspective view of an outdoor fireplace showing our new design;
FIG. 2 is an elevational view of one side thereof;
FIG. 3 is a front elevational view thereof;
FIG. 4 is a rear elevational view thereof;
FIG. 5 is a top plan view thereof; and,
FIG. 6 is a bottom plan view thereof.
The surface or portion of the article not shown in the drawing or described in the specification form no part of the claimed design.

1 Claim, 2 Drawing Sheets

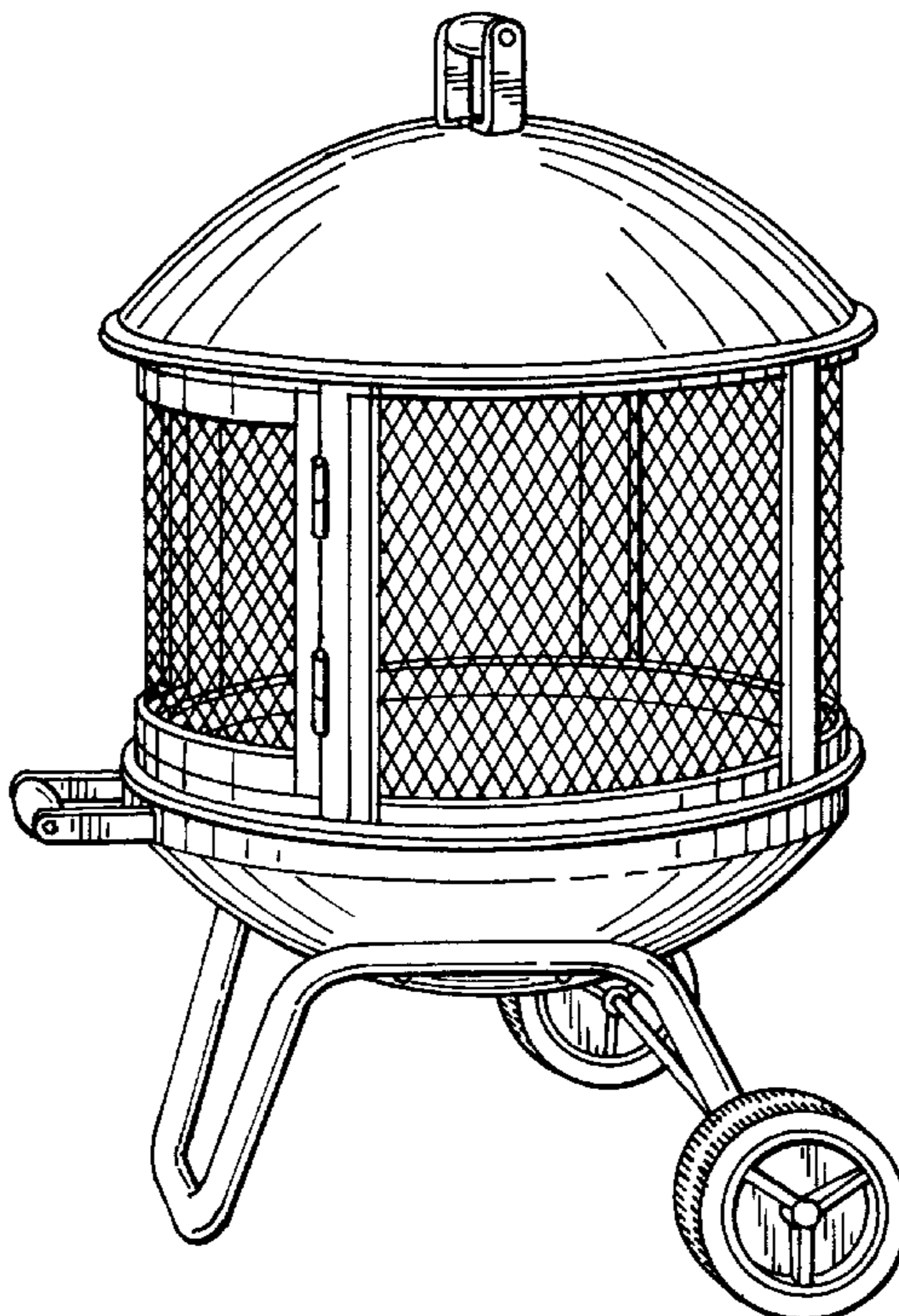


FIG. 1

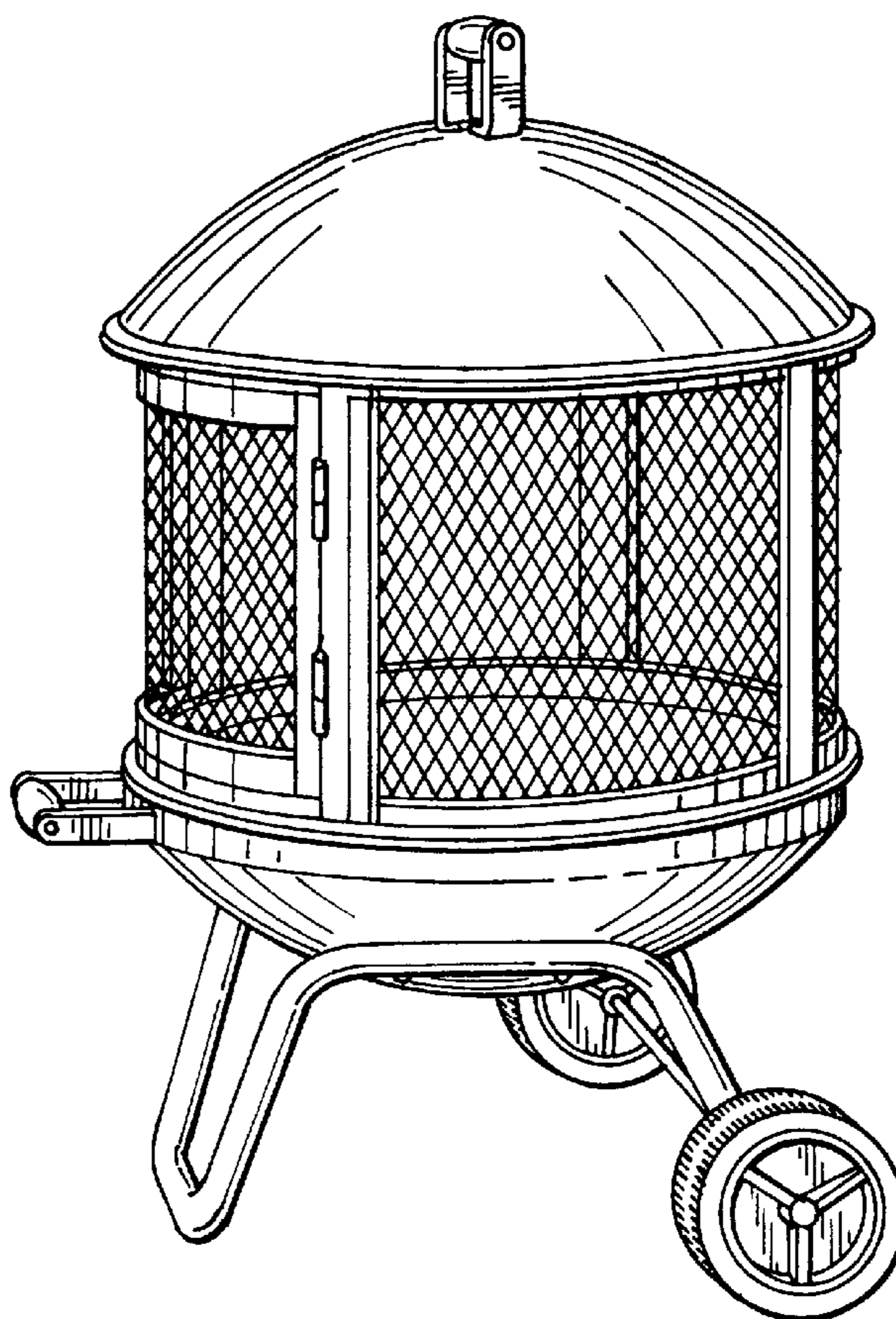


FIG. 2

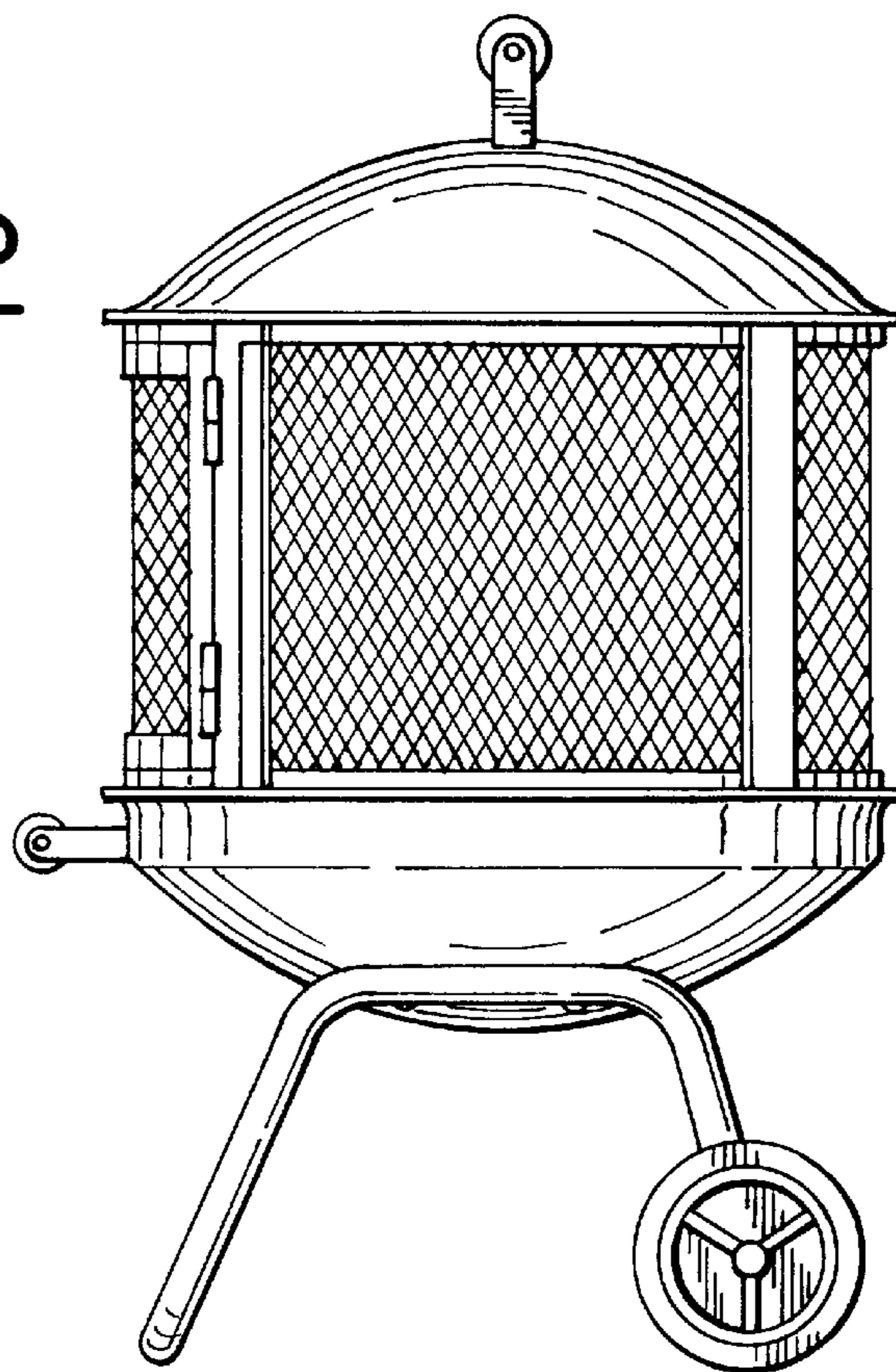


FIG.3

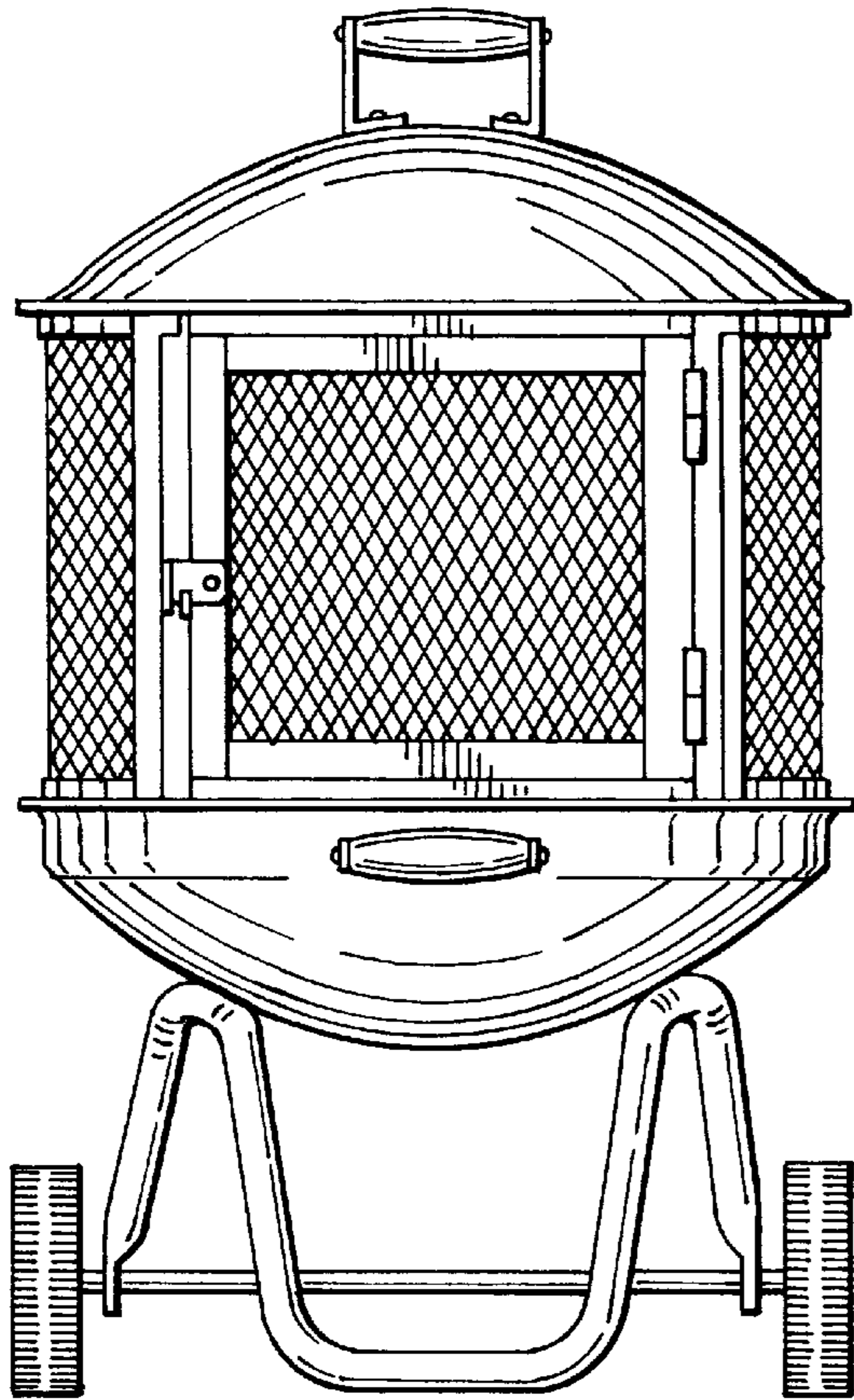


FIG.4

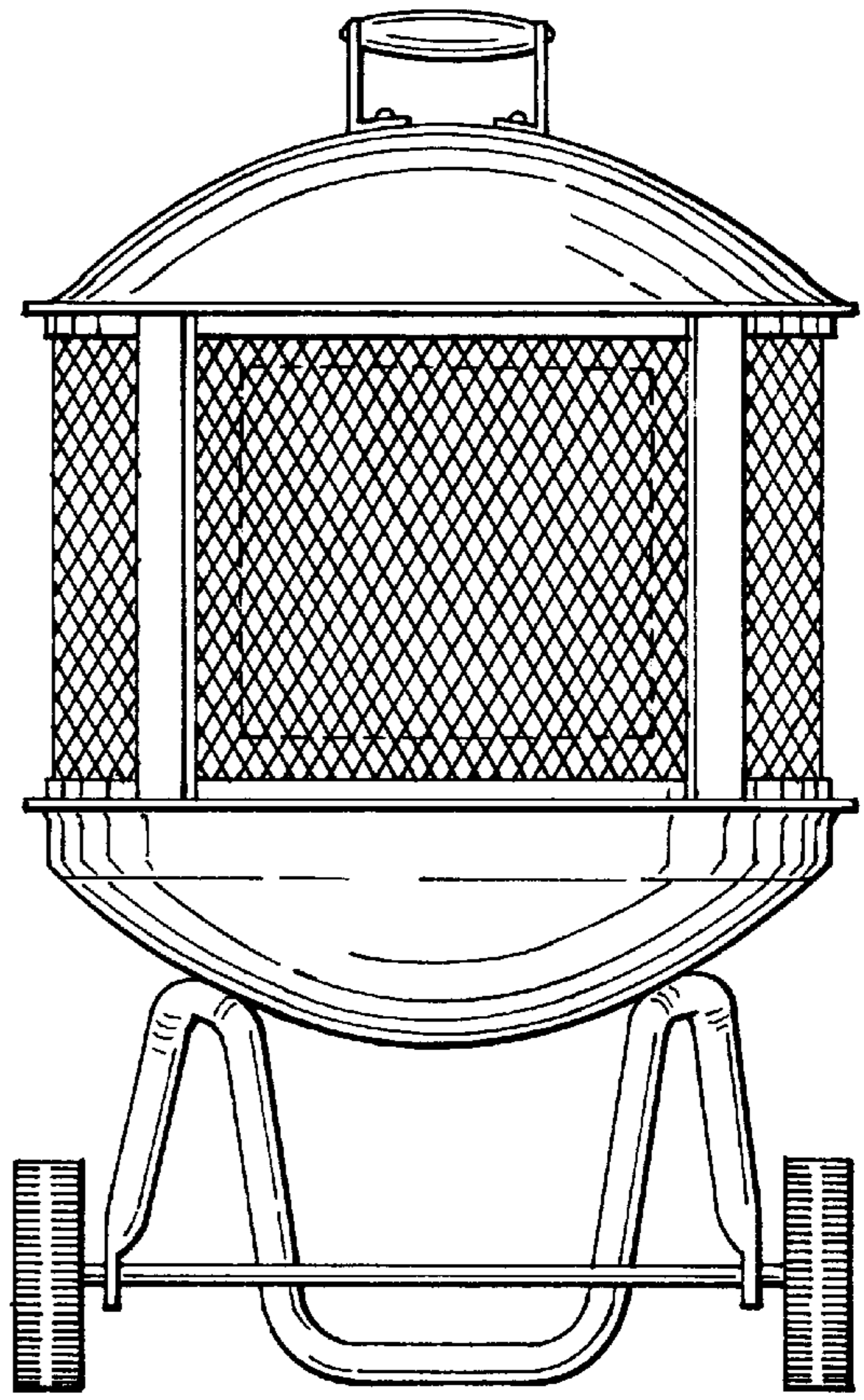


FIG.5

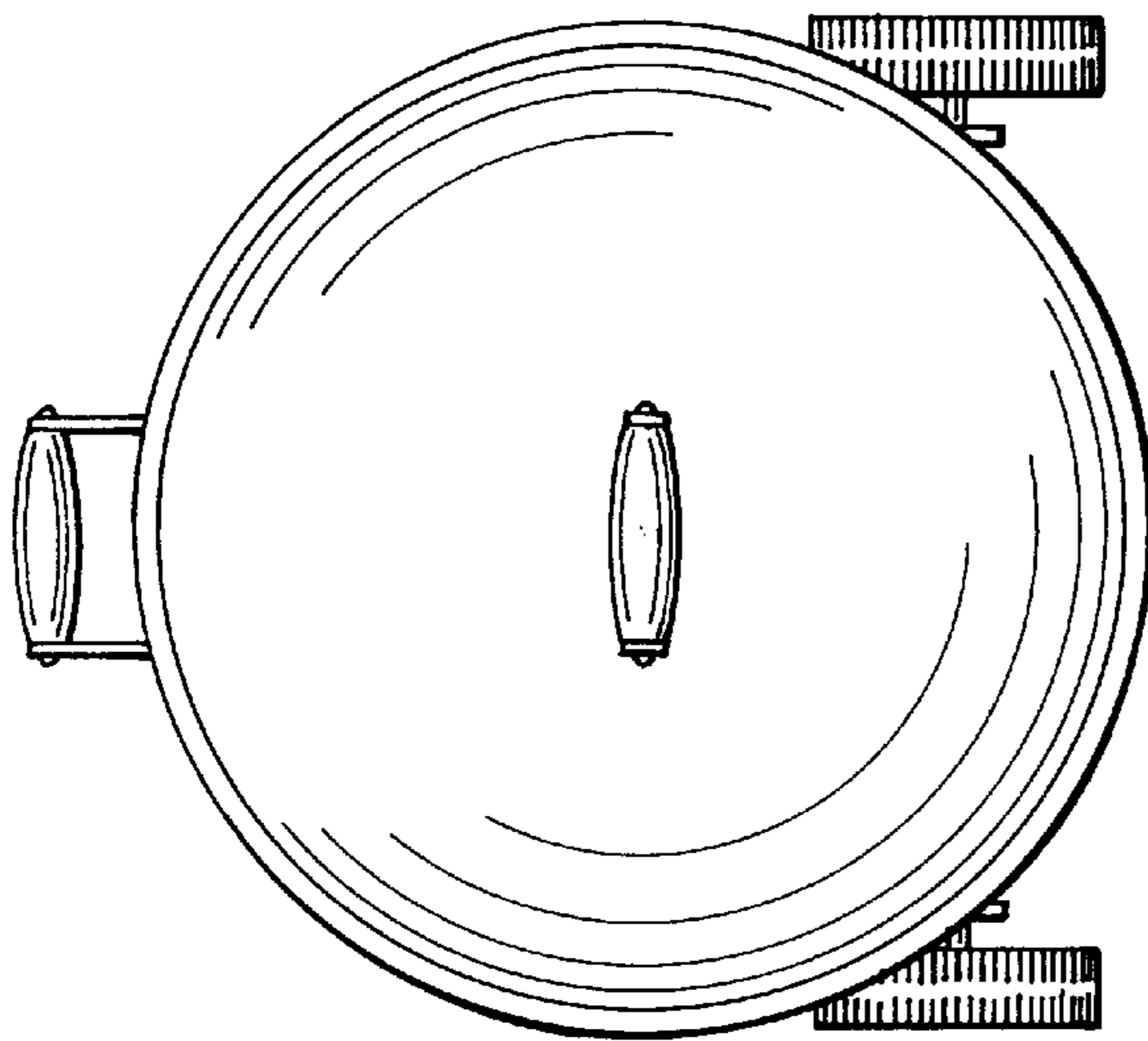


FIG.6

