



US00D420106S

United States Patent [19] Green

[11] Patent Number: Des. 420,106

[45] Date of Patent: ** Feb. 1, 2000

[54] SHOWER ESCUTCHEON

[75] Inventor: Eric D. Green, Cleveland Heights, Ohio

[73] Assignee: Moen Incorporated, North Olmsted, Ohio

[**] Term: 14 Years

[21] Appl. No.: 29/100,341

[22] Filed: Feb. 9, 1999

[51] LOC (7) Cl. 23-01

[52] U.S. Cl. D23/254

[58] Field of Search D23/238-243,
D23/250-257; 4/675, 676, 677, 678; 137/801;
D8/352

- D. 401,309 11/1998 Lord .
- D. 401,674 11/1998 Lord .
- D. 402,008 12/1998 Hill et al. .
- D. 402,010 12/1998 Lord .
- D. 403,750 1/1999 Fabian .

OTHER PUBLICATIONS

American Standard Catalog, Portfolio of Products, 1995, p. C-6 Item #1495.143.
 American Standard Catalog, Portfolio of Products, 1995, p. A-3 Item #2050.100.
 American Standard Catalog, Portfolio of Products, 1995, p. C-12 Item #1495.312.

Primary Examiner—Eric Watterson
 Attorney, Agent, or Firm—Dorn, McEachran, Jambor & Keating

[57] CLAIM

The ornamental design for a shower escutcheon, as shown and described.

[56] References Cited

U.S. PATENT DOCUMENTS

- D. 194,229 12/1962 Landell et al. .
- D. 195,479 6/1963 Denker D8/352
- D. 203,795 2/1966 Harvey et al. D8/352
- D. 263,989 4/1982 Fleischmann et al. .
- D. 321,468 11/1991 Reid D8/352
- D. 331,797 12/1992 Rosenbaum .
- D. 332,826 1/1993 Rosenbaum .
- D. 355,021 1/1995 Schott et al. .
- D. 356,362 3/1995 Bourgeois et al. D23/249
- D. 400,652 11/1998 Hart et al. .

DESCRIPTION

FIG. 1 is a front view of a shower escutcheon showing my new design;
 FIG. 2 is a top view thereof;
 FIG. 3 is a bottom view thereof;
 FIG. 4 is a cross-sectional view taken along line 4—4 of FIG. 1, and,
 FIG. 5 is a rear view thereof.

1 Claim, 2 Drawing Sheets

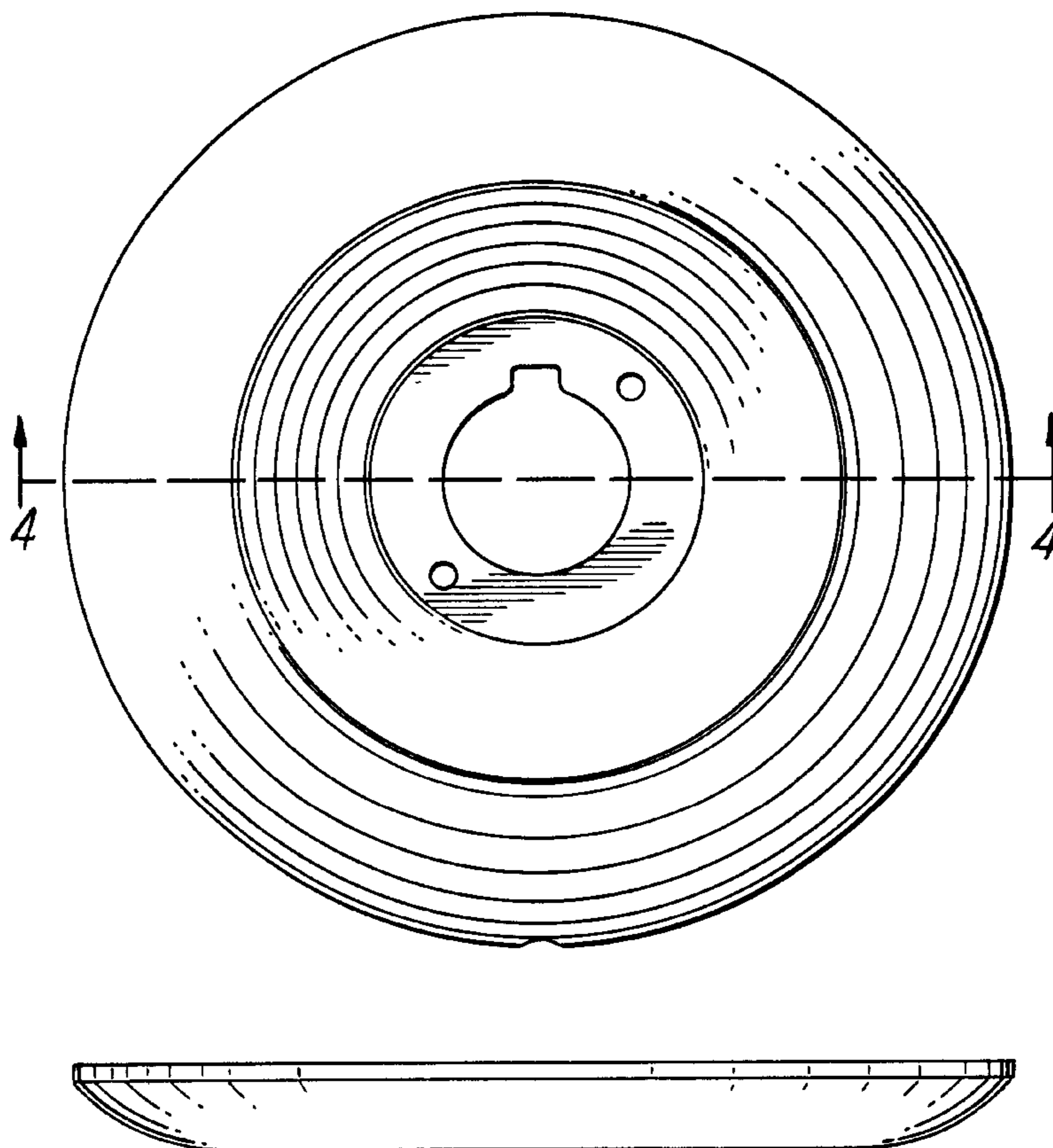


Fig. 1.

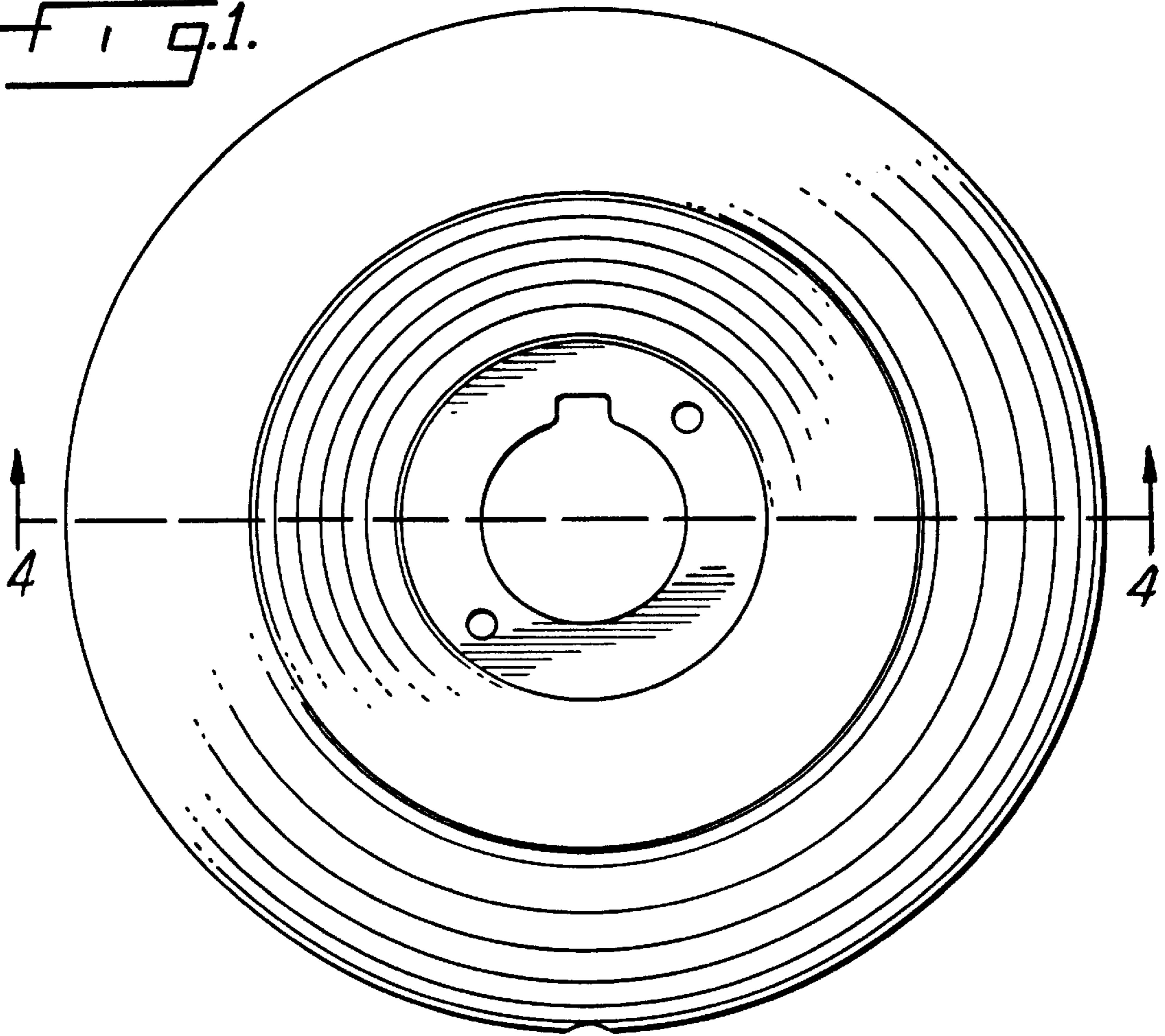


Fig. 2.

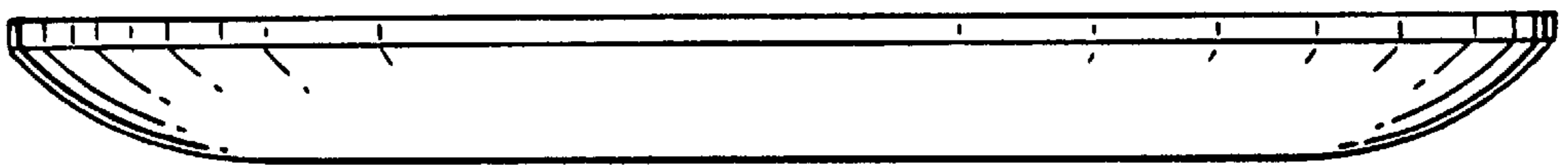


Fig. 3.

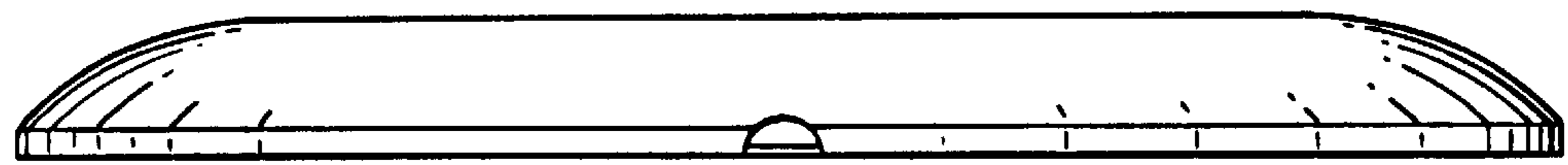


Fig. 4.



FIG. 5.

