



US00D420104S

United States Patent [19]
Lobermeier

[11] **Patent Number: Des. 420,104**

[45] **Date of Patent: ** Feb. 1, 2000**

[54] **FAUCET HANDLE**

[75] Inventor: **Hans Lobermeier**, Menden, Germany

[73] Assignee: **Friedrich Grohe AG**, Hemer, Germany

[**] Term: **14 Years**

[21] Appl. No.: **29/093,709**

[22] Filed: **Sep. 17, 1998**

[30] **Foreign Application Priority Data**

Apr. 16, 1998 [DE] Germany M 98 03 680

[51] **LOC (7) Cl.** **23-01**

[52] **U.S. Cl.** **D23/252**

[58] **Field of Search** D23/238-293,
D23/250-257; 4/675-678; 137/801

[56] **References Cited**

U.S. PATENT DOCUMENTS

D. 297,257 8/1988 Kohler, Jr. et al. D23/252

D. 324,725 3/1992 Lang et al. D23/252
D. 339,852 9/1993 Jans D23/252
D. 362,139 9/1995 Brunner et al. D6/479
D. 366,519 1/1996 Lobermeier D23/252

Primary Examiner—Louis S. Zarfes
Assistant Examiner—Eric Watterson
Attorney, Agent, or Firm—Herbert Dubno

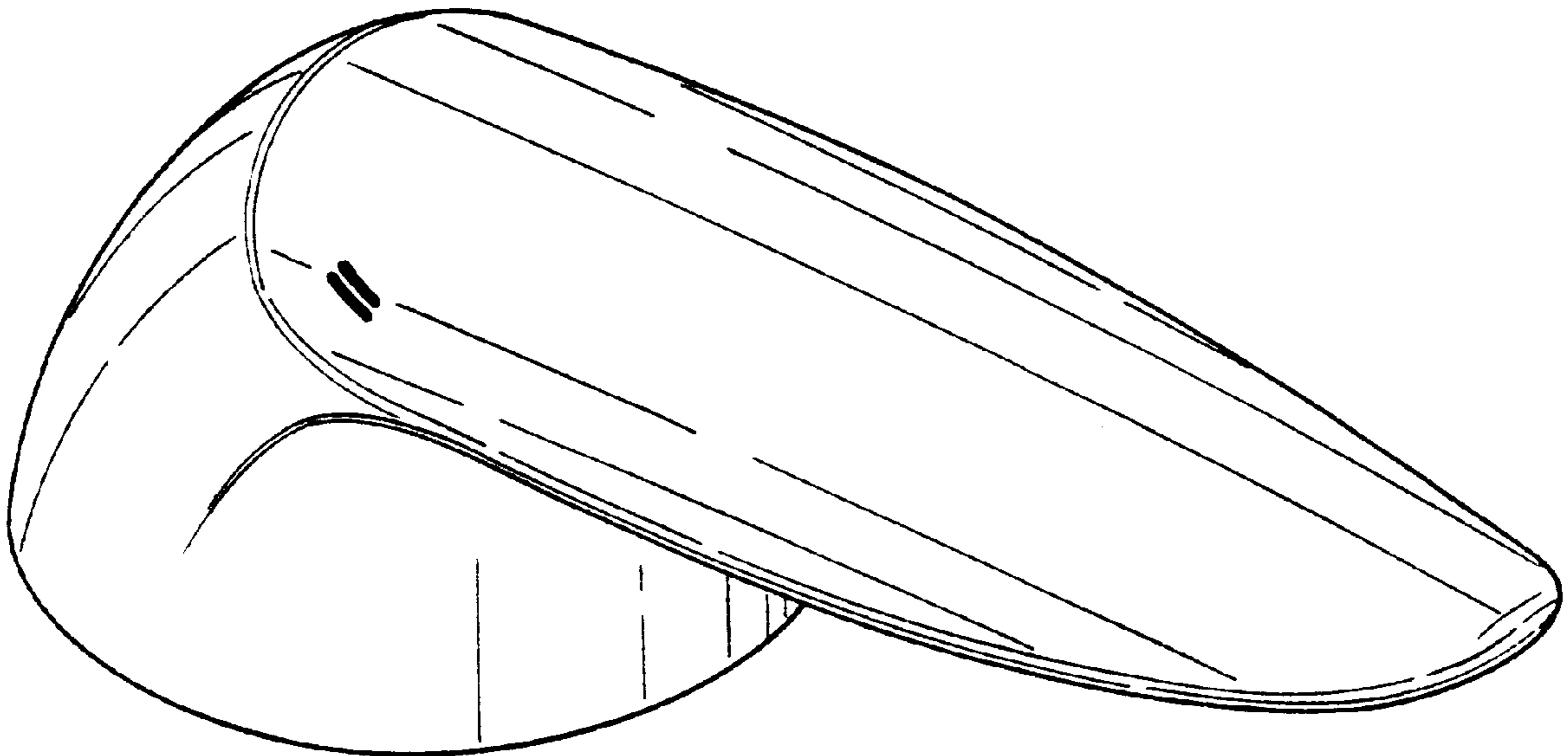
[57] **CLAIM**

The ornamental design for a faucet handle, as shown and described.

DESCRIPTION

FIG. 1 is a top, front, left-side elevational view of a faucet handle showing my new design;
FIG. 2 is a front view thereof;
FIG. 3 is a top view thereof;
FIG. 4 is a left side elevational view thereof, the right side elevational view being mirror symmetrical thereto;
FIG. 5 is a bottom view thereof; and,
FIG. 6 is a top view thereof.

1 Claim, 2 Drawing Sheets



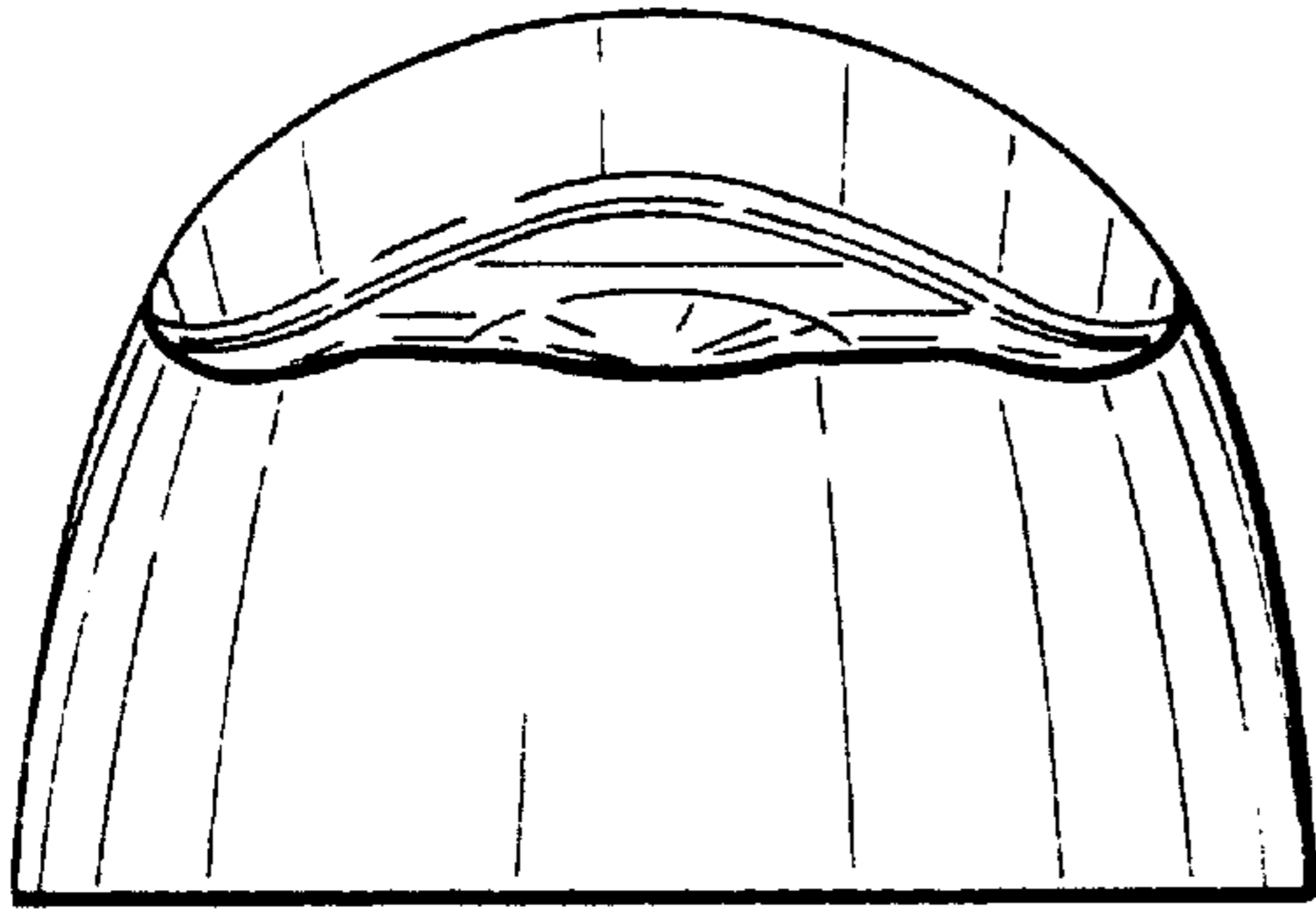


FIG. 2

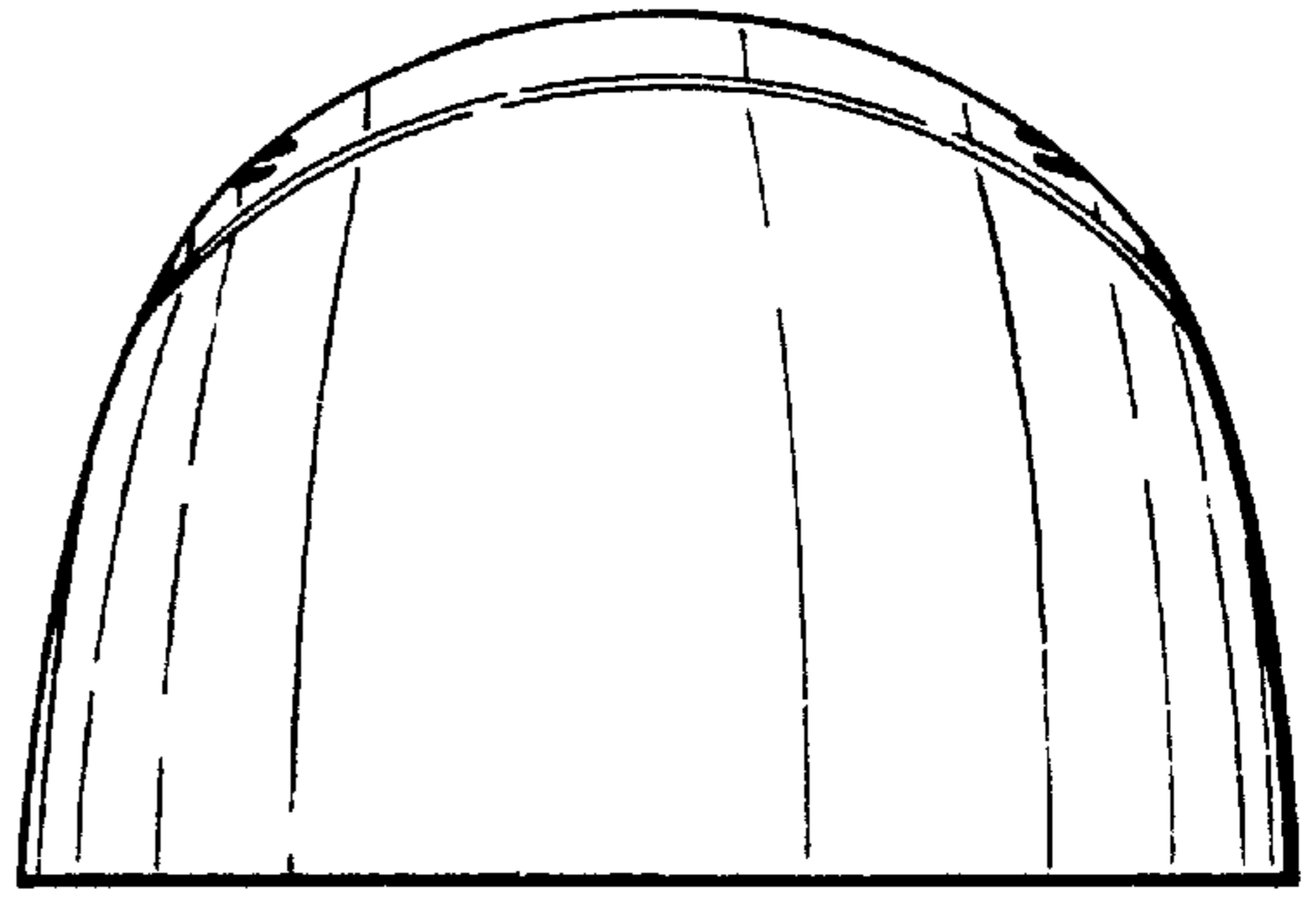


FIG. 3

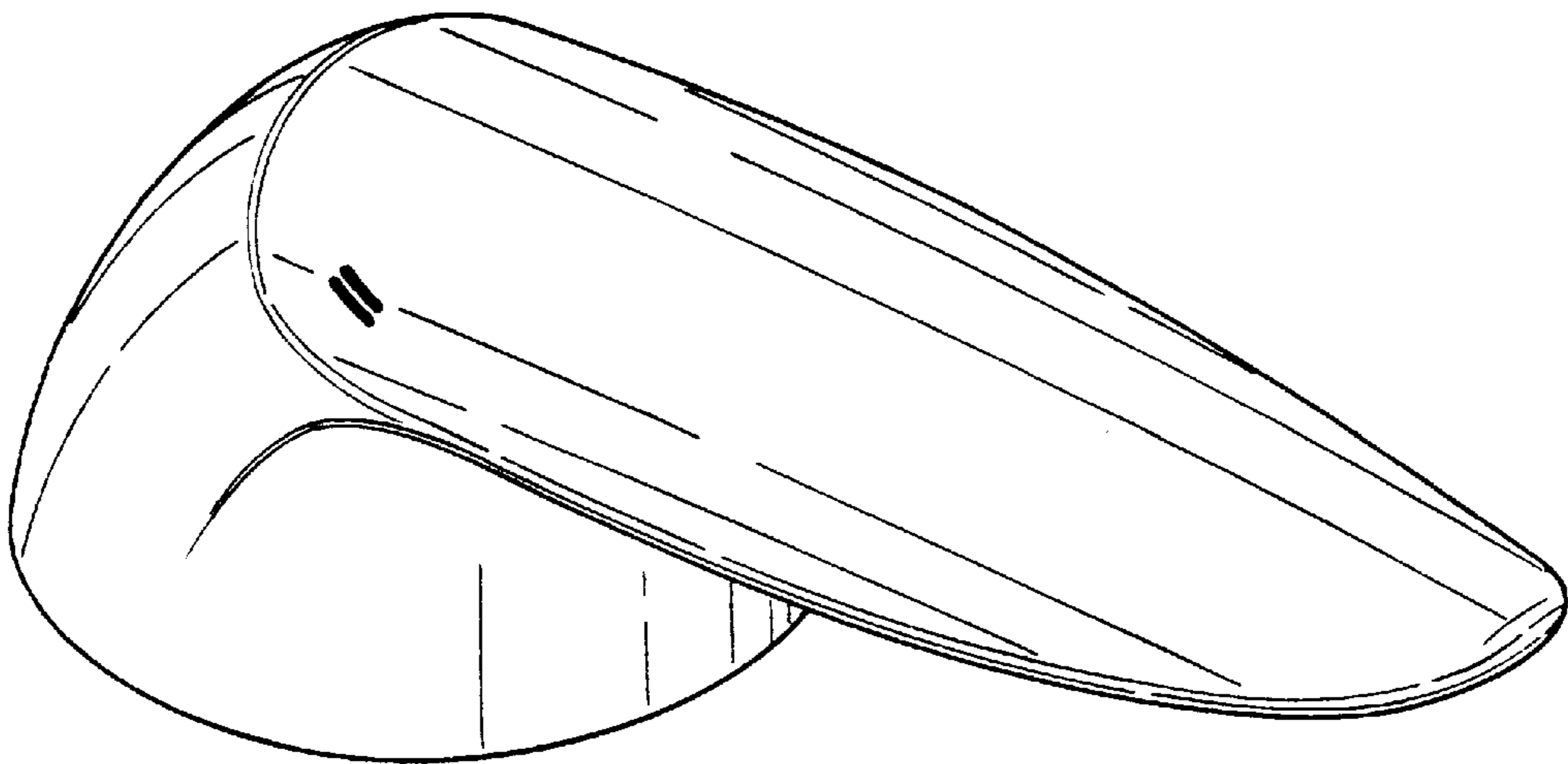


FIG. 1

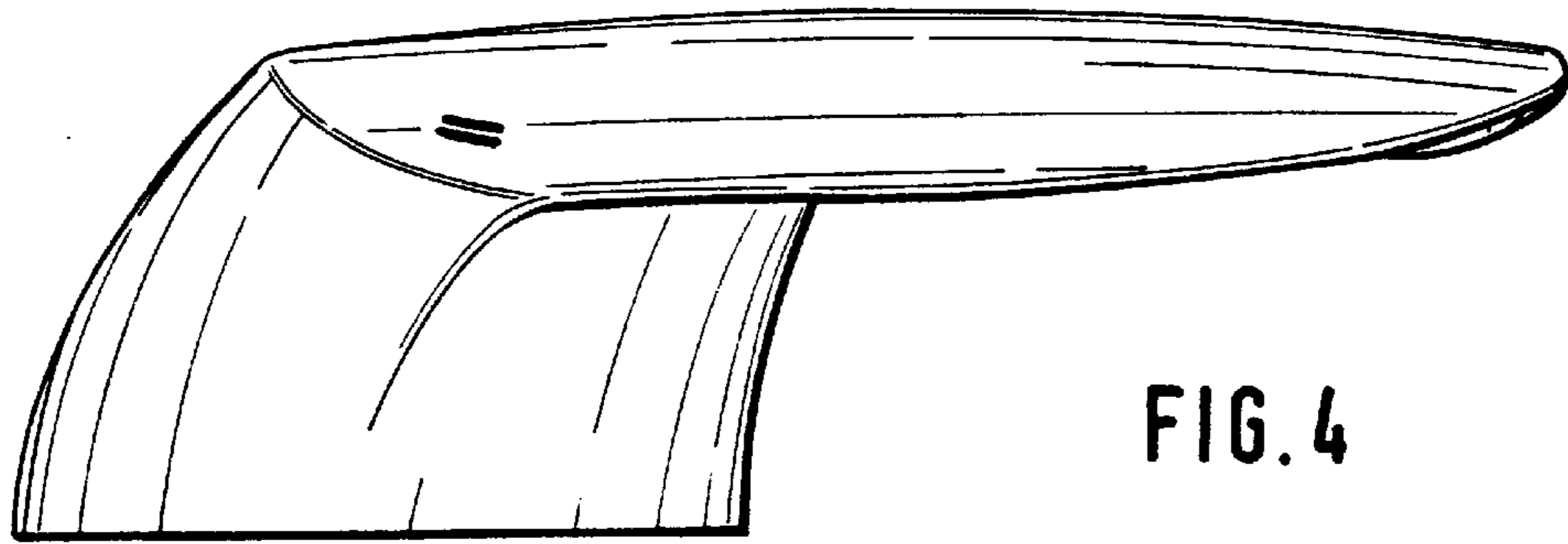


FIG. 4

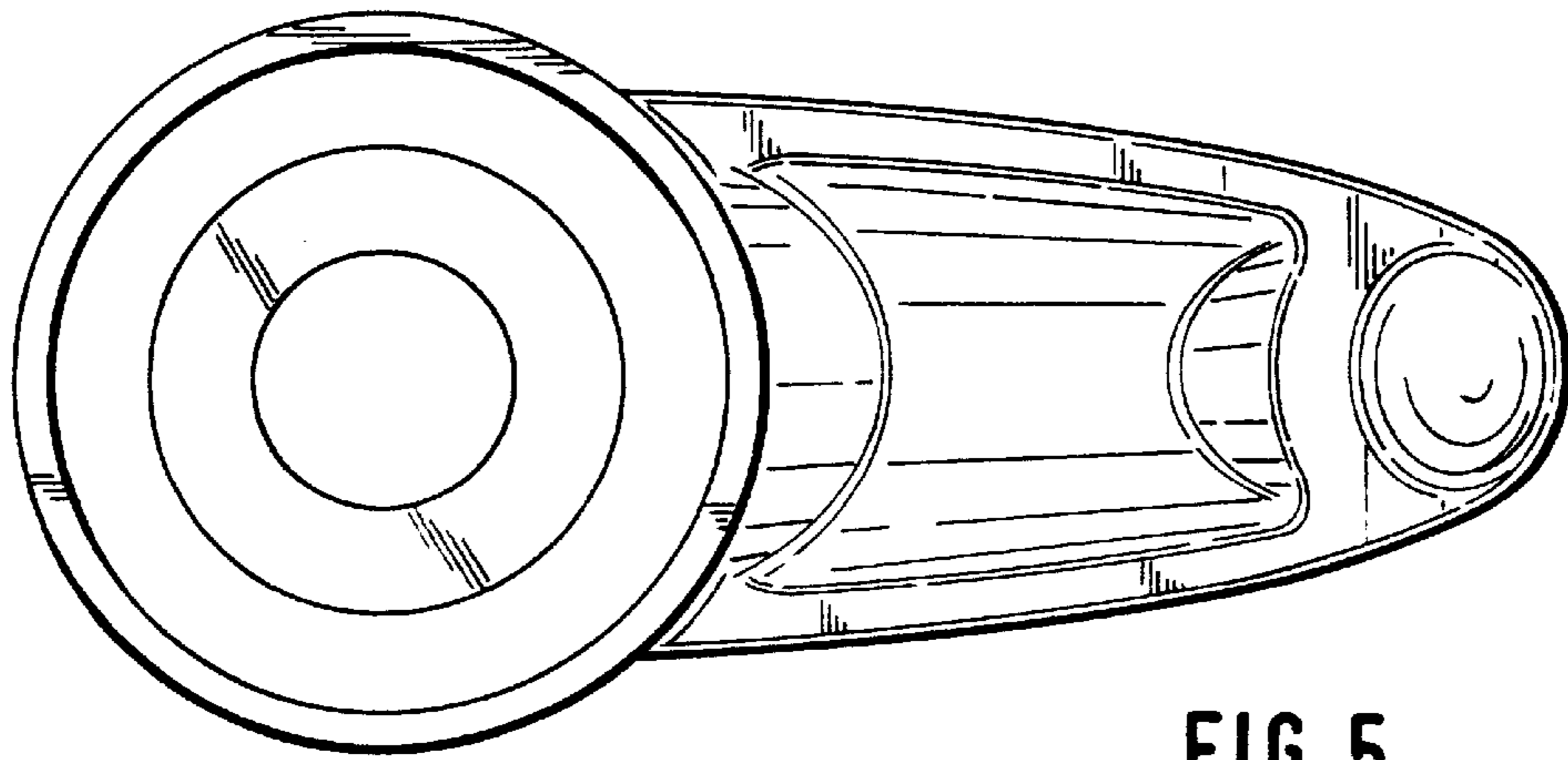


FIG. 5

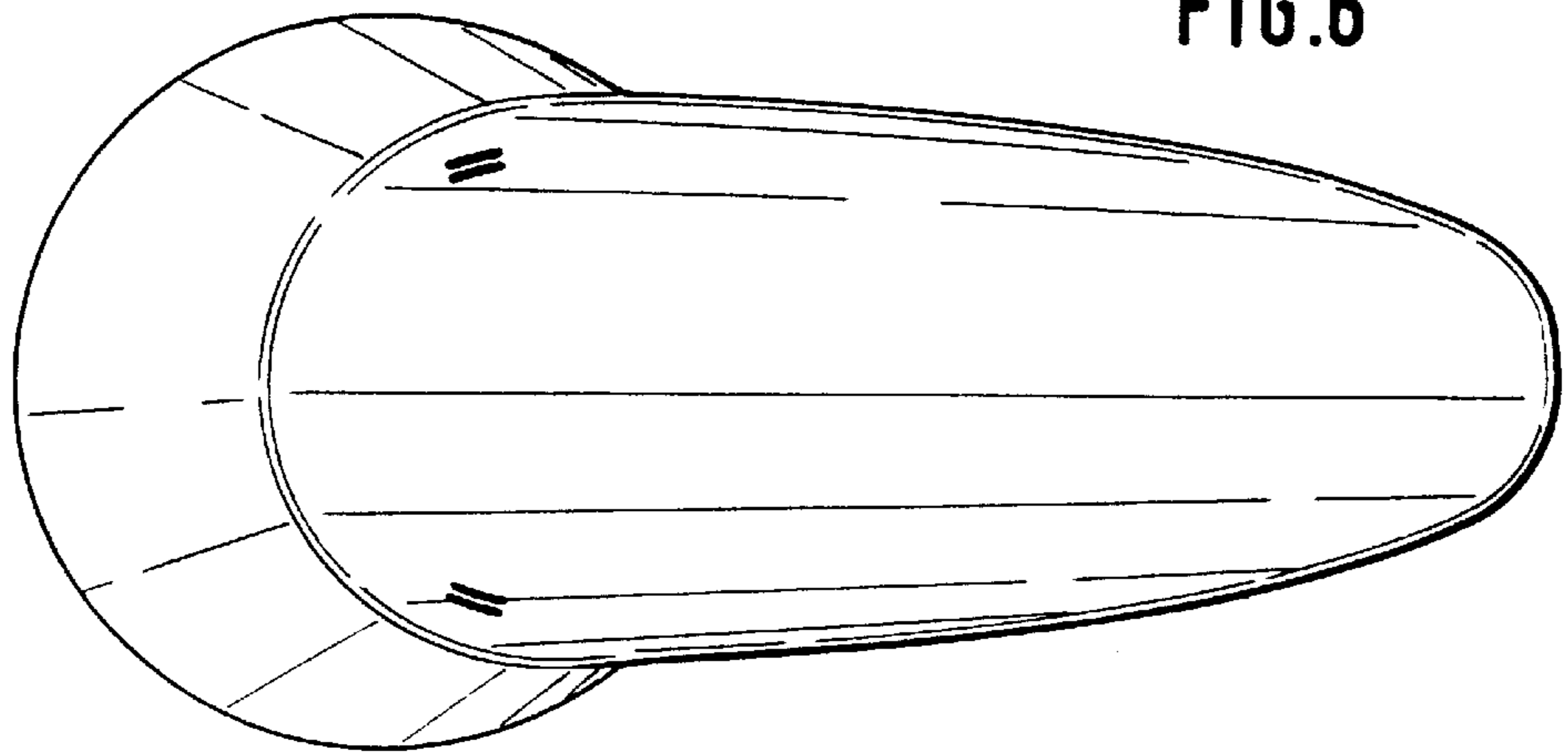


FIG. 6