



US00D420103S

United States Patent [19] Rude

[11] **Patent Number: Des. 420,103**

[45] **Date of Patent: ** Feb. 1, 2000**

[54] **REPETITIVE STAMPED VALVE GUARD**

3,662,560 5/1972 Veazey 138/110 X
3,963,144 6/1976 Berwald .
4,605,126 8/1986 Goedken et al. .
4,697,528 10/1987 Rehbein .

[75] Inventor: **Arthur D. Rude**, Ash Grove, Mo.

[73] Assignee: **Custom Metalcraft, Inc.**, Springfield, Mo.

[**] Term: **14 Years**

Primary Examiner—Eric Watterson
Attorney, Agent, or Firm—Bergert & Bergert

[21] Appl. No.: **29/076,308**

[57] **CLAIM**

The ornamental design for a repetitive stamped valve guard, as shown and described.

[22] Filed: **Sep. 16, 1997**

[51] **LOC (7) Cl.** **23-01**

[52] **U.S. Cl.** **D23/249**

[58] **Field of Search** D23/233–237,
D23/244–249, 260–269; 137/377–379;
138/110, 377, 382, 15

DESCRIPTION

FIG. 1 is a perspective view of my new design, showing the valve guard applied to a tank assembly with bottom discharge valve, with the tank and valve shown in broken lines; FIG. 2 is a perspective view in elevation thereof; FIG. 3 is a top plan view thereof; FIG. 4 is a front elevational view thereof; FIG. 5 is a left end elevational view thereof, the right end being a mirror image; FIG. 6 is a rear elevational view thereof; and, FIG. 7 is a cross-sectional view thereof, taken along line 7—7 of FIG. 3.

The broken line representation of the tank and valve in FIG. 1 is for the purpose of illustration and forms no part of the claimed design.

[56] **References Cited**

U.S. PATENT DOCUMENTS

- D. 31,742 10/1899 Wilhelm .
- D. 296,027 5/1988 Dietzen .
- D. 319,286 8/1991 Waltke et al. .
- 1,469,646 10/1923 Rowland .
- 1,602,506 10/1926 Rowland .
- 2,327,654 8/1943 McIntosh .
- 2,476,578 7/1949 Barnwell .
- 2,946,223 7/1960 Lauer, Jr. .
- 3,593,739 7/1971 Merger 137/377

1 Claim, 2 Drawing Sheets

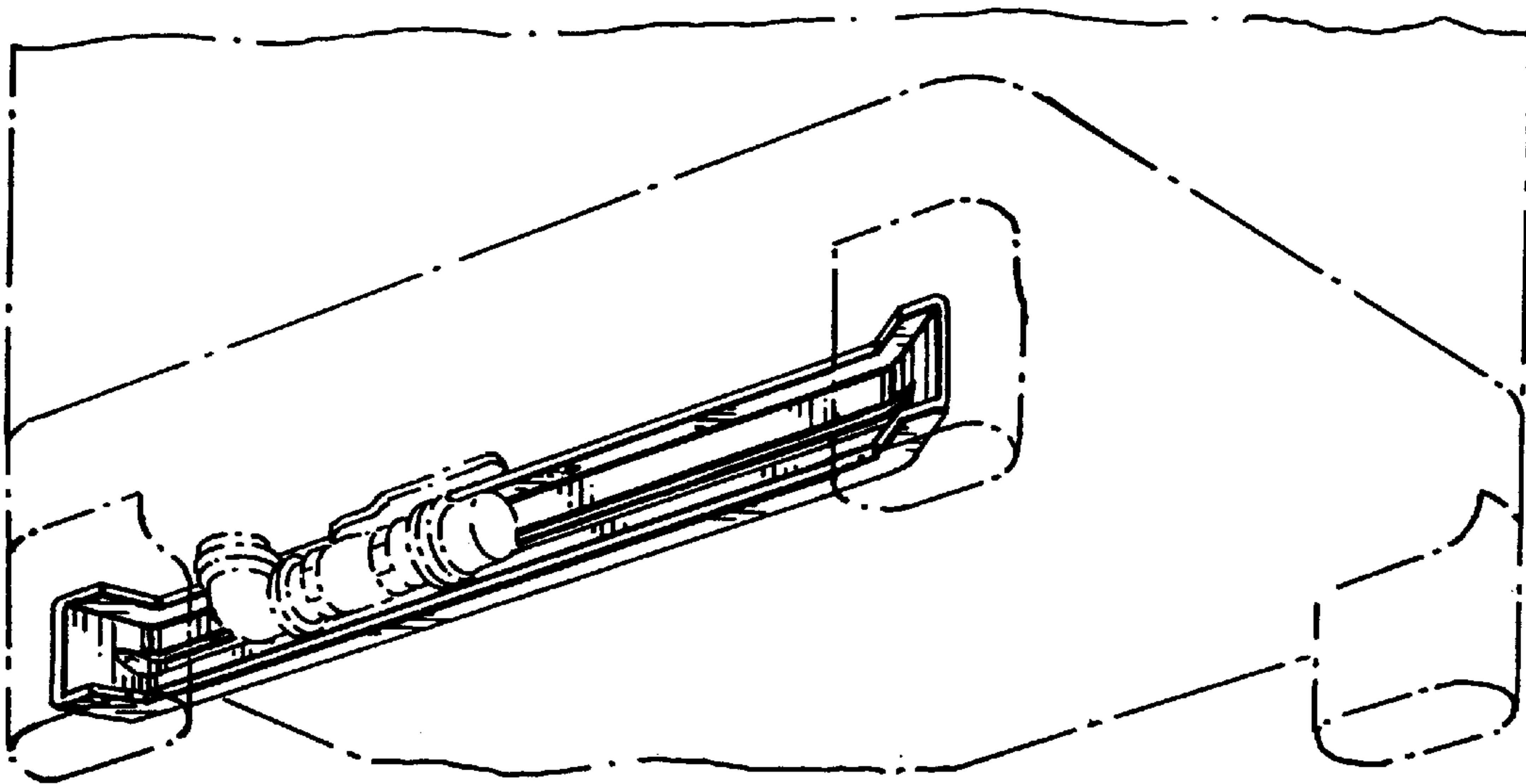


FIG. 1

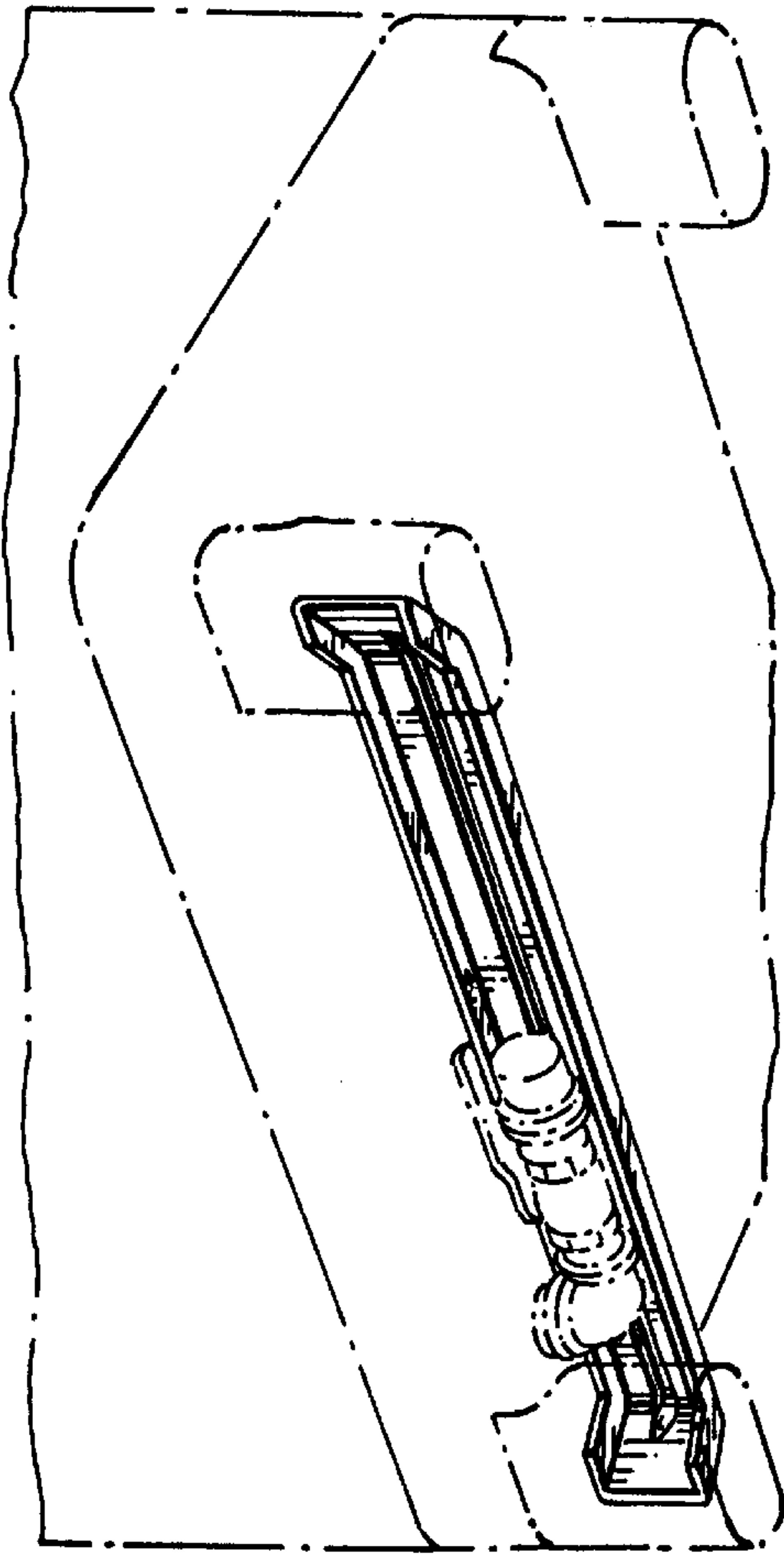


FIG. 4

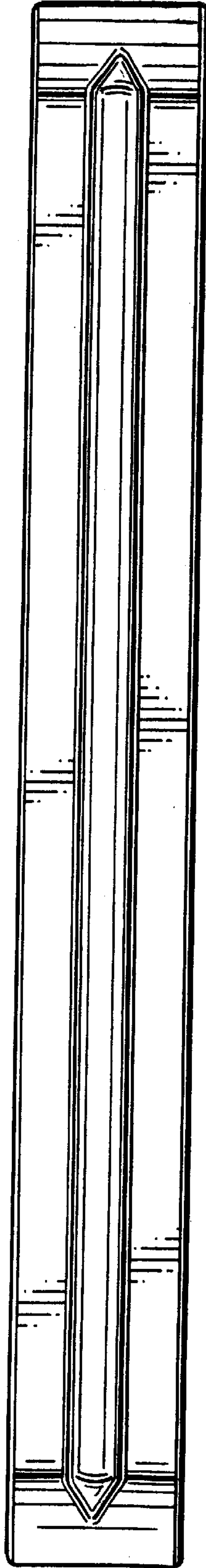


FIG. 6

