



US00D420102S

# United States Patent [19]

Warshawsky et al.

[11] **Patent Number: Des. 420,102**

[45] **Date of Patent: \*\* Feb. 1, 2000**

[54] **LAVATORY SET**

[75] Inventors: **Ari Zev Warshawsky**, New York;  
**Jerome Warshawsky**, Hewlett Harbor;  
**Frank Antoniello**, Commack, all of  
N.Y.

[73] Assignee: **IW Industries Inc.**, Melville, N.Y.

[\*\*] Term: **14 Years**

[21] Appl. No.: **29/101,918**

[22] Filed: **Mar. 12, 1999**

[51] **LOC (7) Cl.** ..... **23-01**

[52] **U.S. Cl.** ..... **D23/241**

[58] **Field of Search** ..... **D23/238-243,**  
**D23/250-257; D8/300-310; 4/675-678;**  
**137/801**

[56] **References Cited**

**U.S. PATENT DOCUMENTS**

D. 404,467 1/1999 Doughty et al. .... D23/242

D. 405,160 2/1999 Lord ..... D23/241  
D. 406,318 3/1999 Lord ..... D23/241  
D. 406,876 3/1999 Ko ..... D23/241

*Primary Examiner*—Eric Watterson  
*Attorney, Agent, or Firm*—Alfred M. Walker

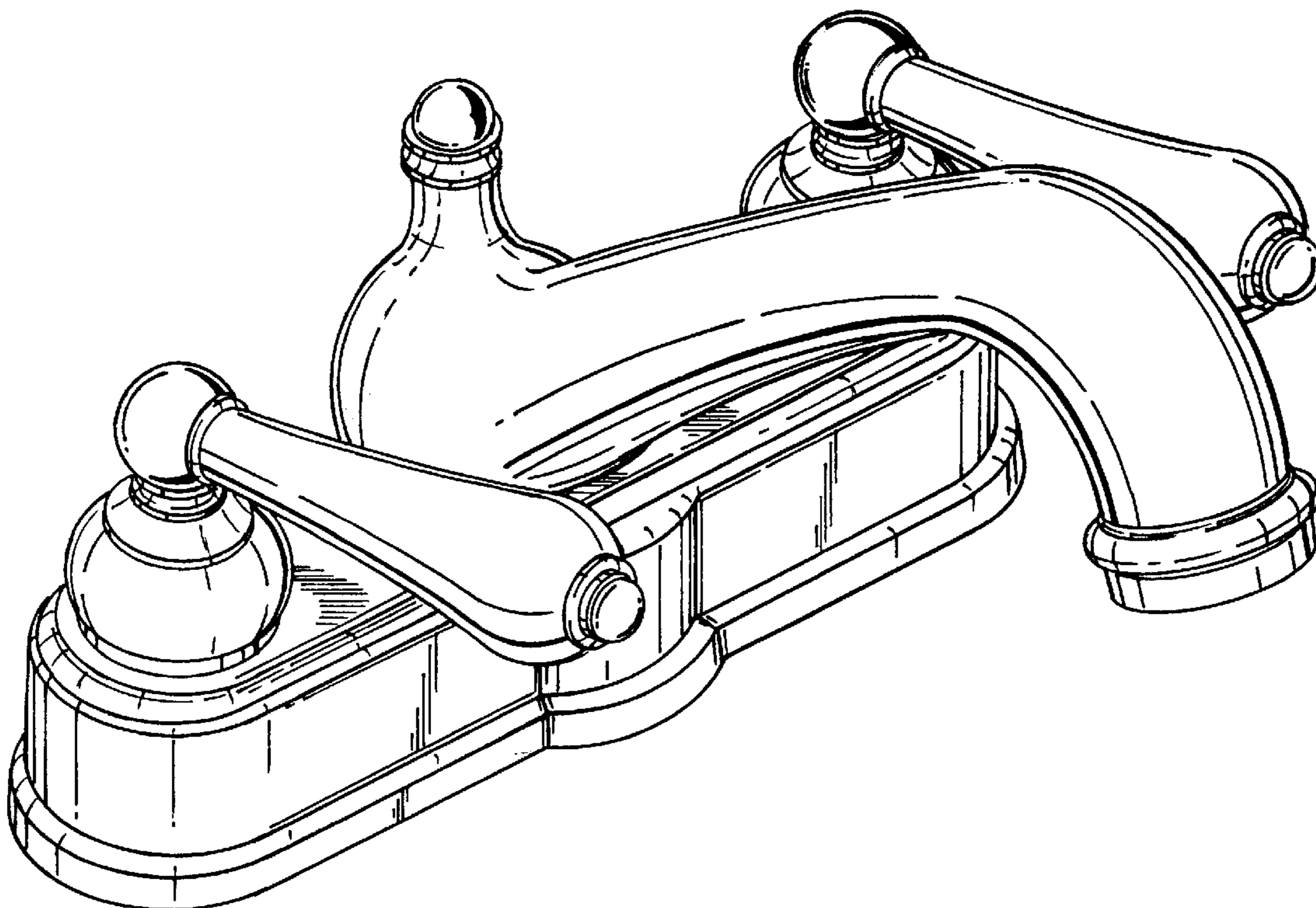
[57] **CLAIM**

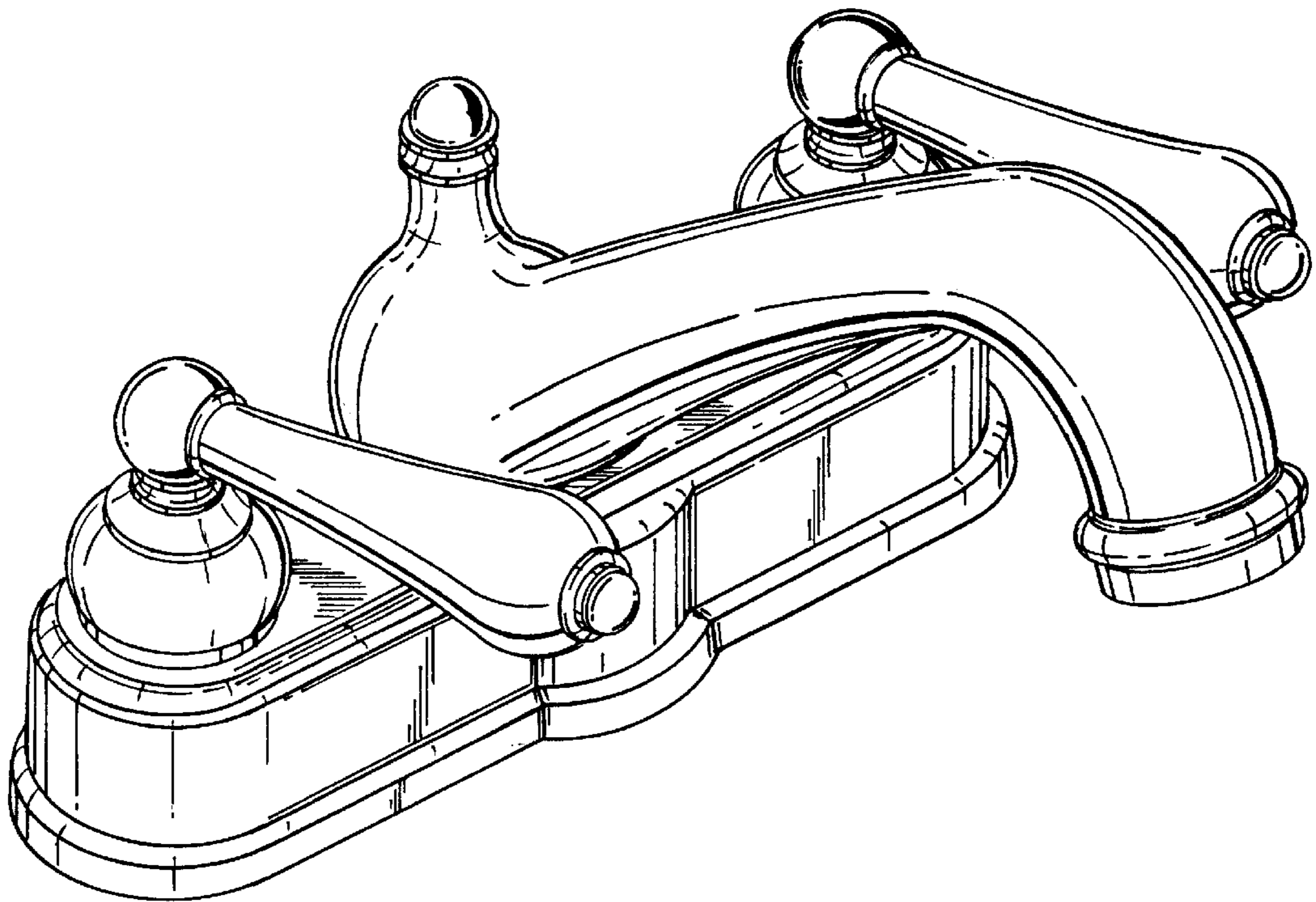
The ornamental design for a lavatory set, as shown and described.

**DESCRIPTION**

FIG. 1 is a perspective view of a lavatory set, showing our new design;  
FIG. 2 is a right side elevational view thereof, the left side being a mirror image thereof;  
FIG. 3 is a top plan view thereof;  
FIG. 4 is a front elevational view thereof; and,  
FIG. 5 is a rear view thereof.

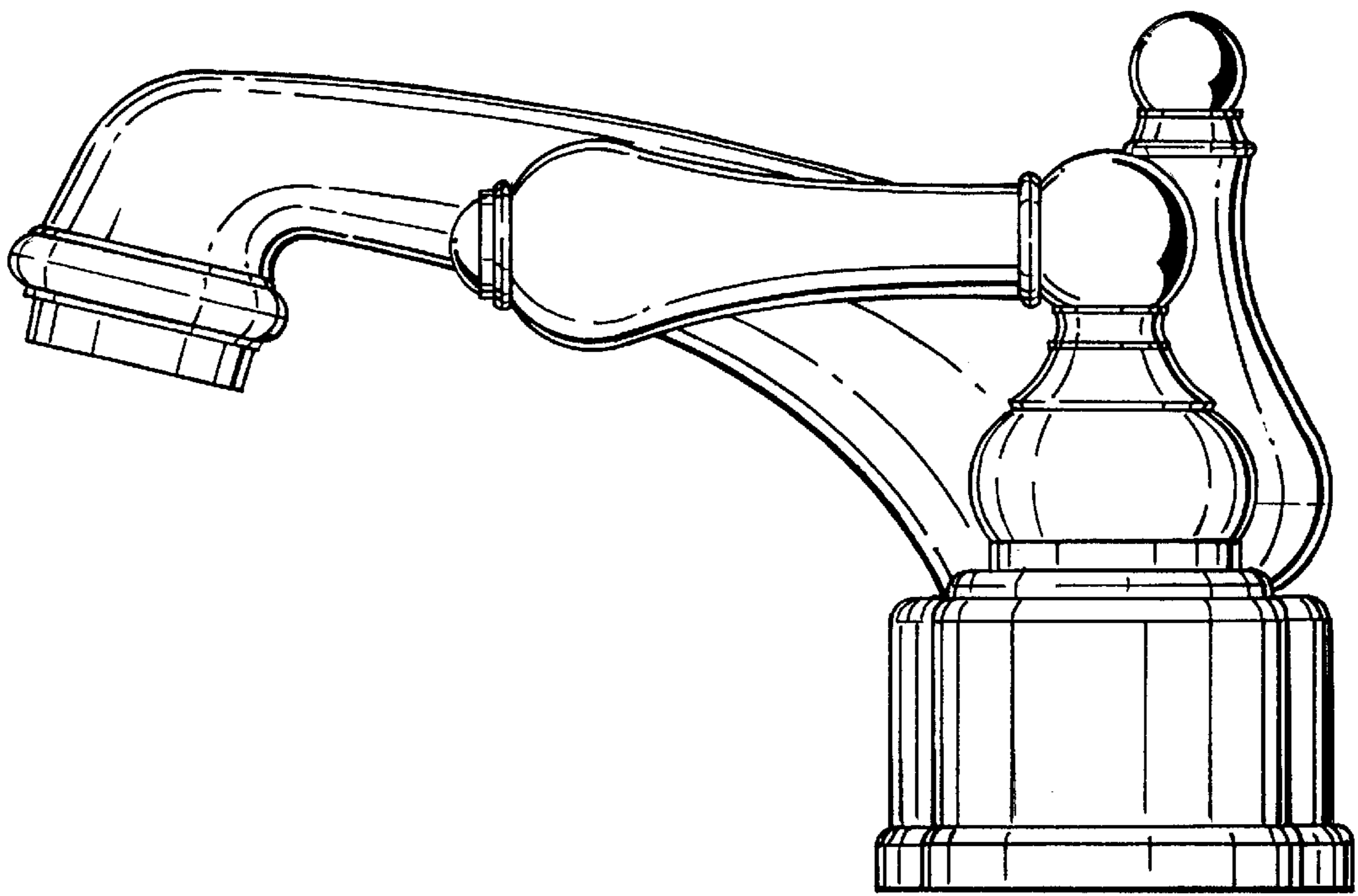
**1 Claim, 5 Drawing Sheets**

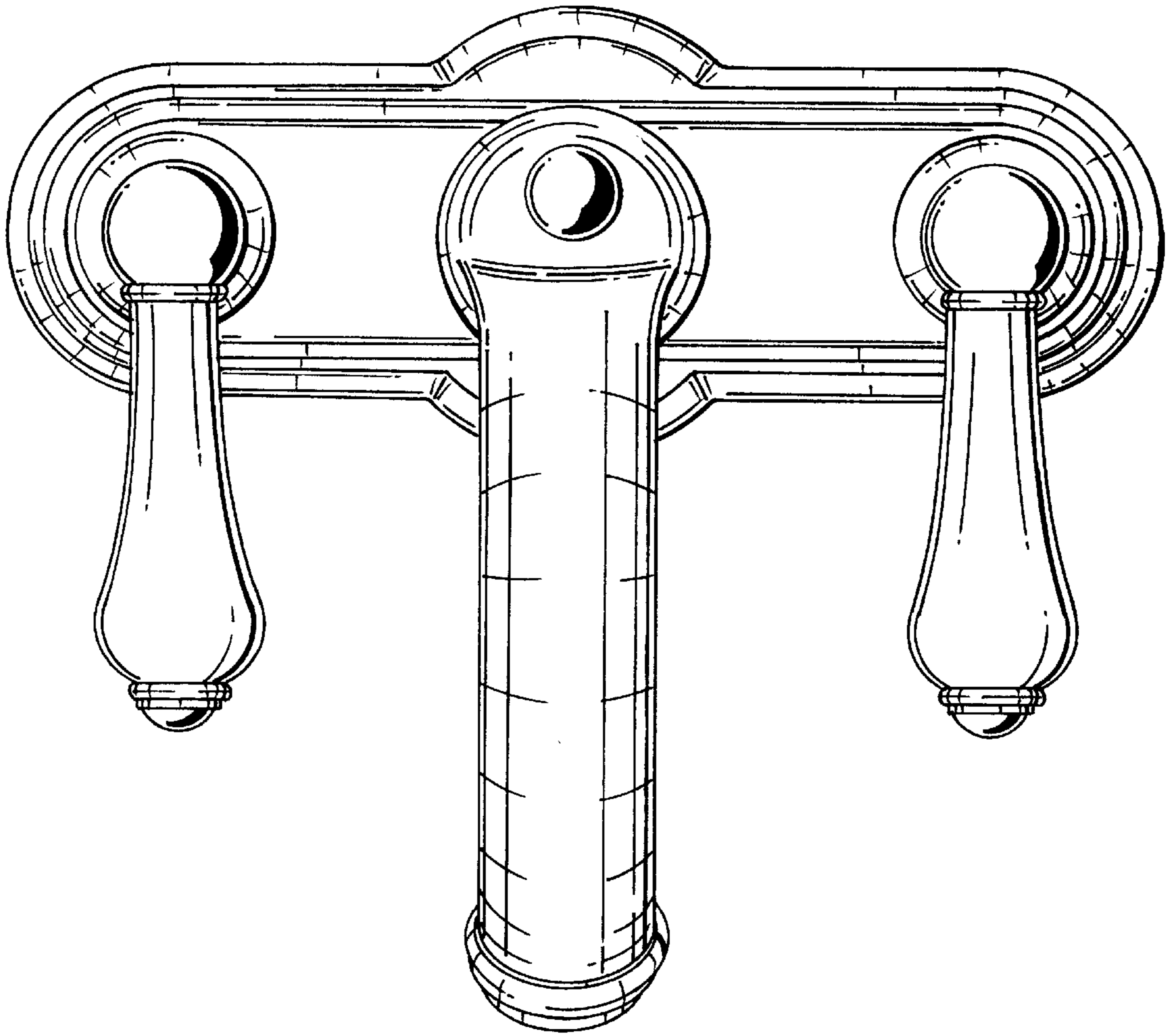




**Fig. 1**

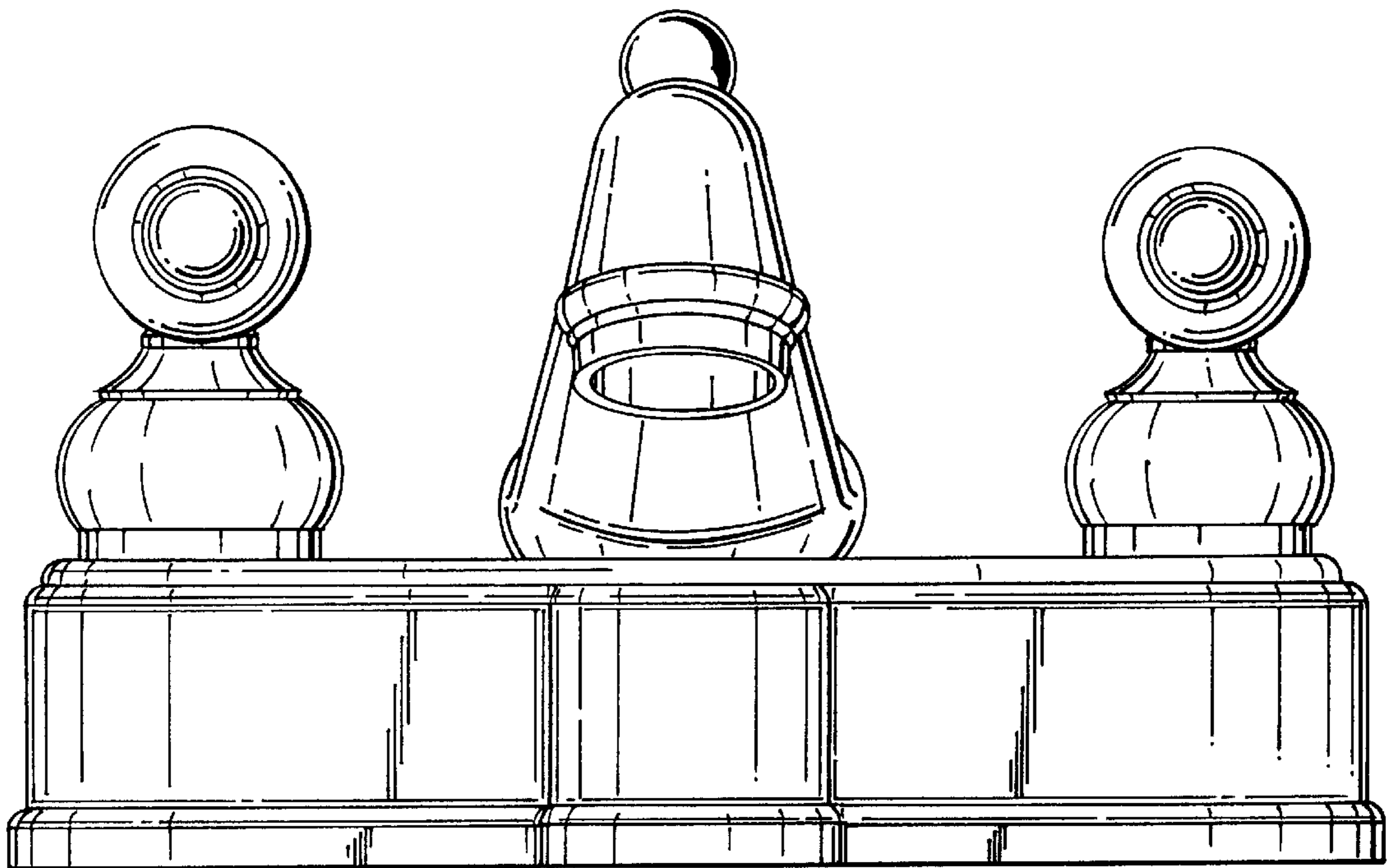
***Fig. 2***





**Fig. 3**

***Fig. 4***



***Fig. 5***

