



US00D420100S

United States Patent [19]

[11] Patent Number: **Des. 420,100**

Sato et al.

[45] Date of Patent: **** Feb. 1, 2000**

[54] **MANIFOLD FOR SOLENOID-OPERATED DIRECTIONAL CONTROL VALVE**

4,509,556	4/1985	Scanlon	137/884
5,086,803	2/1992	Nakajima	137/884
5,706,858	1/1998	Miyazoe et al.	137/884
5,848,607	12/1998	Bell et al.	137/884

[75] Inventors: **Hideharu Sato; Takumi Matsumoto,**
both of Ibaraki, Japan

Primary Examiner—Robin V. Taylor
Attorney, Agent, or Firm—Oblon, Spivak, McClelland,
Maier & Neustadt, P.C.

[73] Assignee: **SMC Corporation,** Tokyo, Japan

[**] Term: **14 Years**

[57] CLAIM

[21] Appl. No.: **29/094,746**

The ornamental design for manifold for solenoid-operated directional control valve, as shown and described.

[22] Filed: **Oct. 9, 1998**

DESCRIPTION

[30] Foreign Application Priority Data

Apr. 13, 1998 [JP] Japan 10-10531

FIG. 1 is a top, front and right side perspective view of manifold for solenoid-operated directional control valve embodying our new design;
FIG. 2 is a front elevational view thereof;
FIG. 3 is a top plan view thereof;
FIG. 4 is a bottom plan view thereof;
FIG. 5 is a right side elevational view thereof;
FIG. 6 is a left side elevational view thereof; and,
FIG. 7 is a top, front and left side perspective view thereof, shown in use with a solenoid transfer valve which is shown in broken lines and forming no part of the claimed design.

[51] **LOC (7) Cl.** **23-01**

[52] **U.S. Cl.** **D23/233**

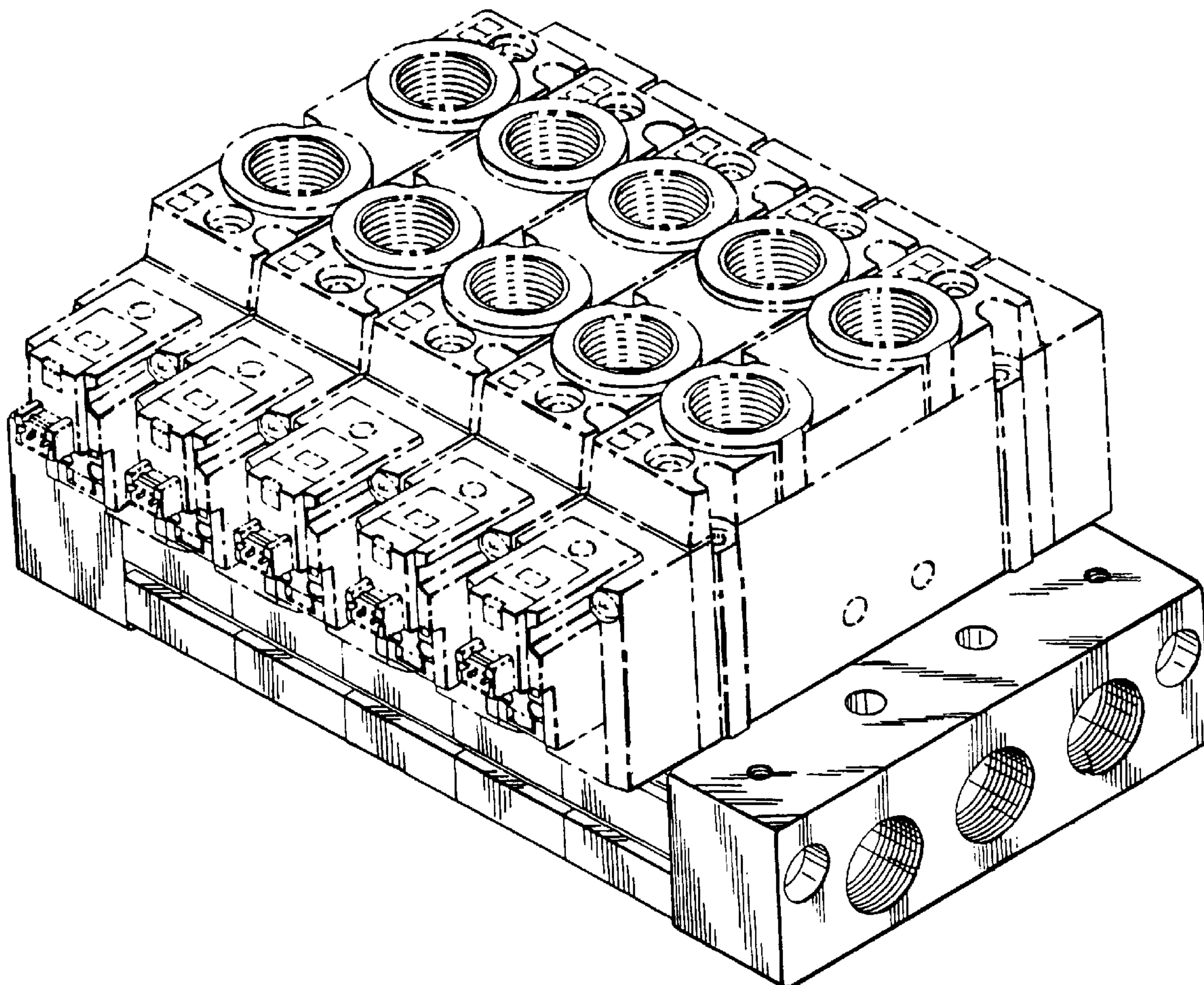
[58] **Field of Search** D23/233-236,
D23/245-248; 137/596.13, 596.16, 625.64,
884

[56] References Cited

U.S. PATENT DOCUMENTS

D. 389,560 1/1998 Hayashi et al. D23/233
4,382,452 5/1983 Loveless 137/624.64

1 Claim, 3 Drawing Sheets



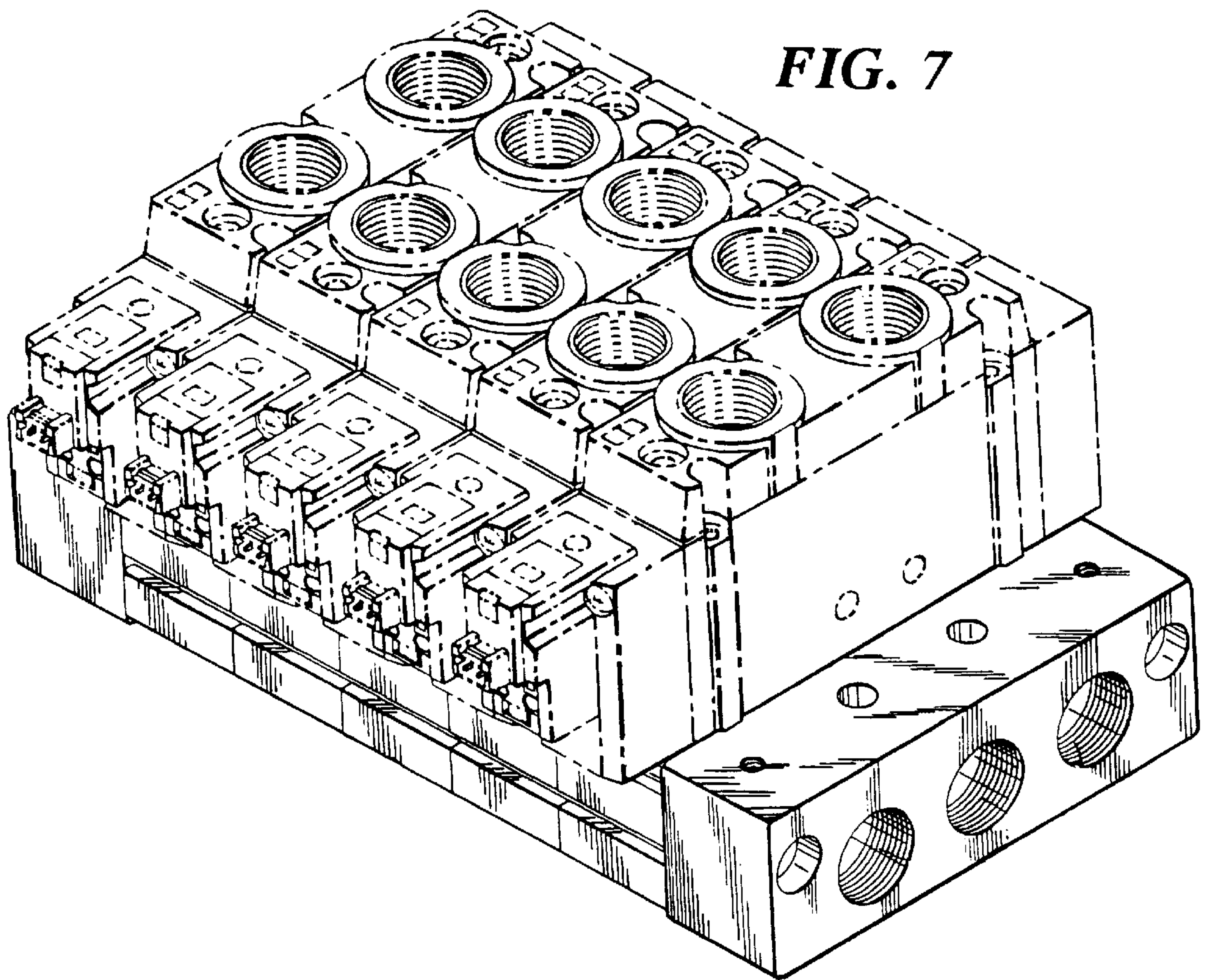
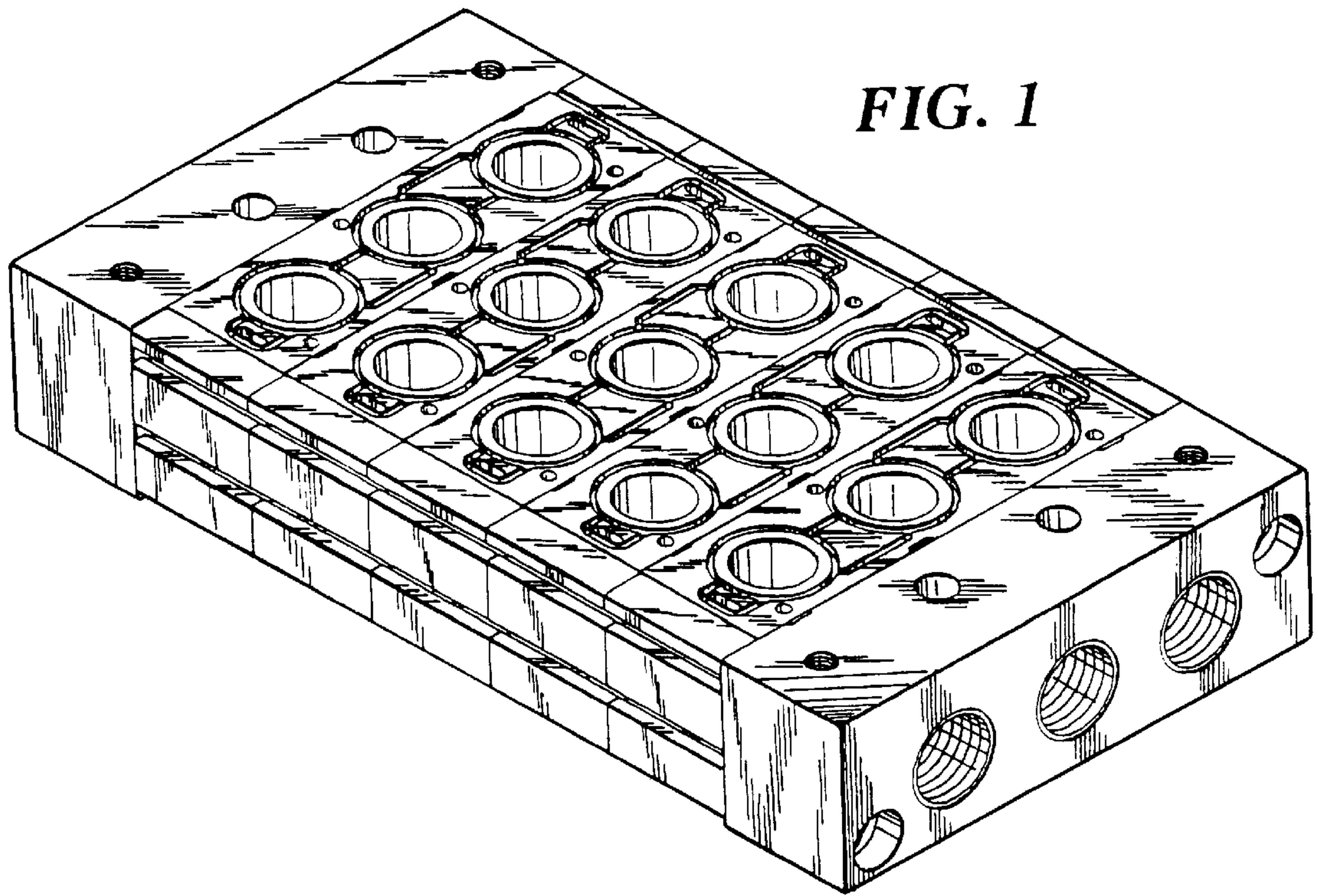


FIG.2

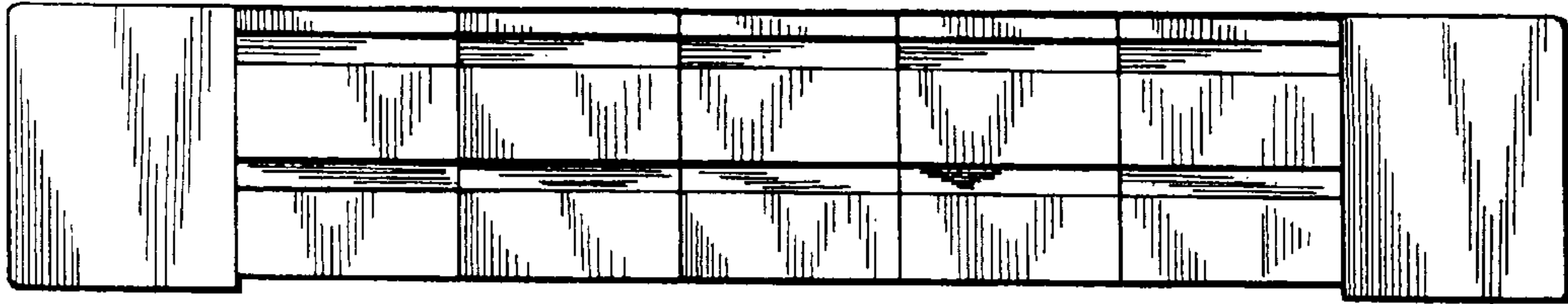


FIG.3

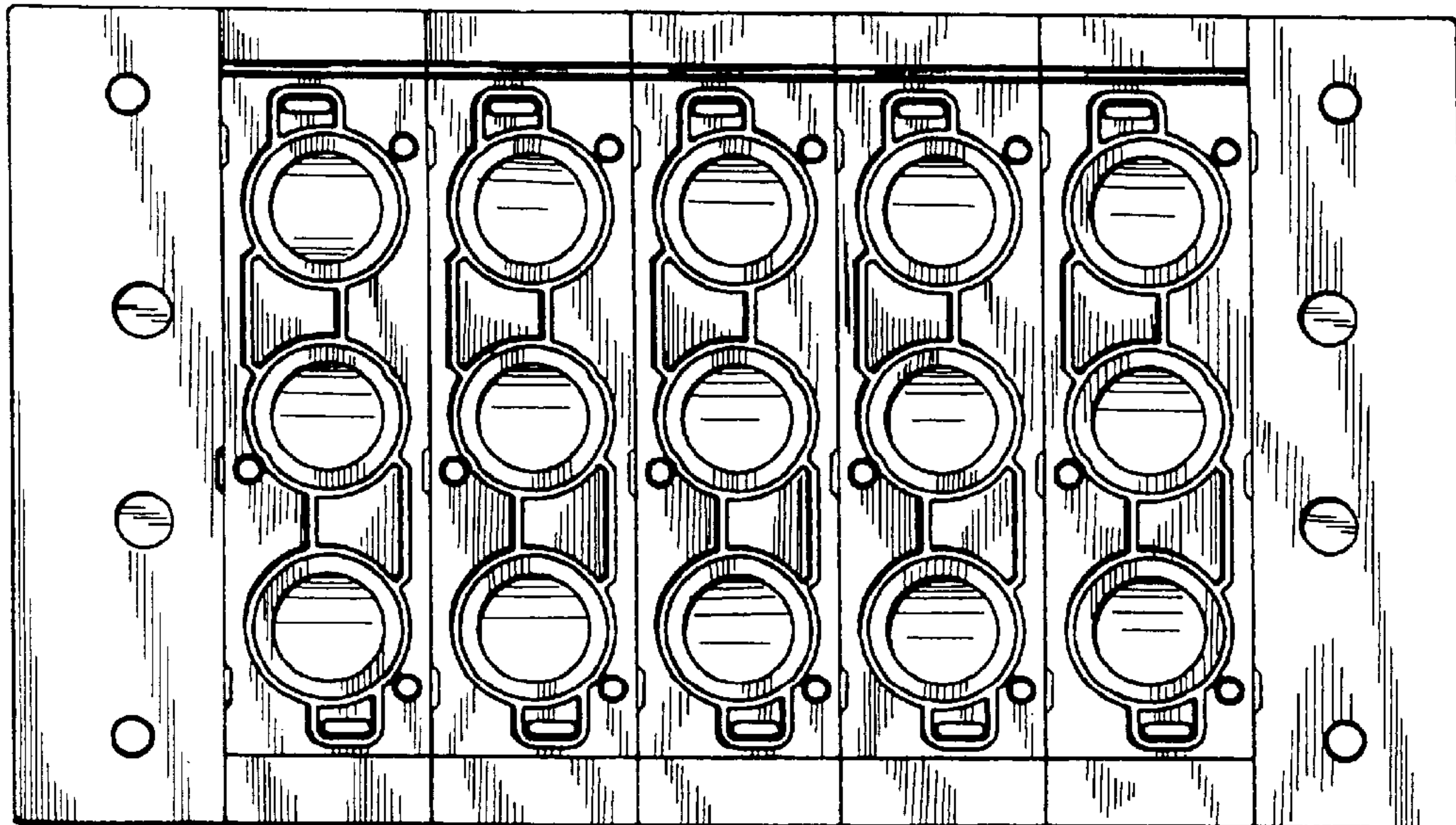
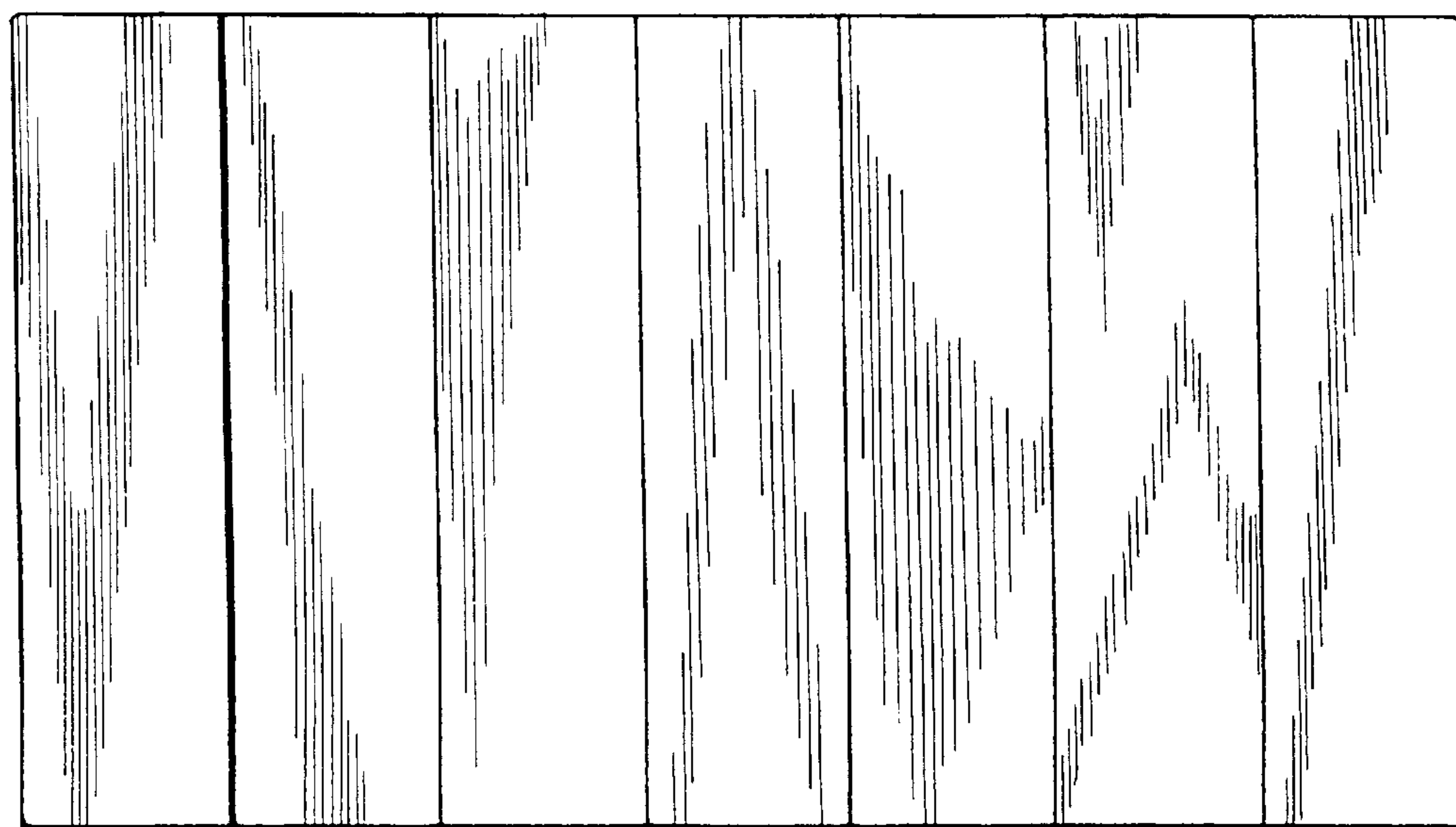


FIG.4



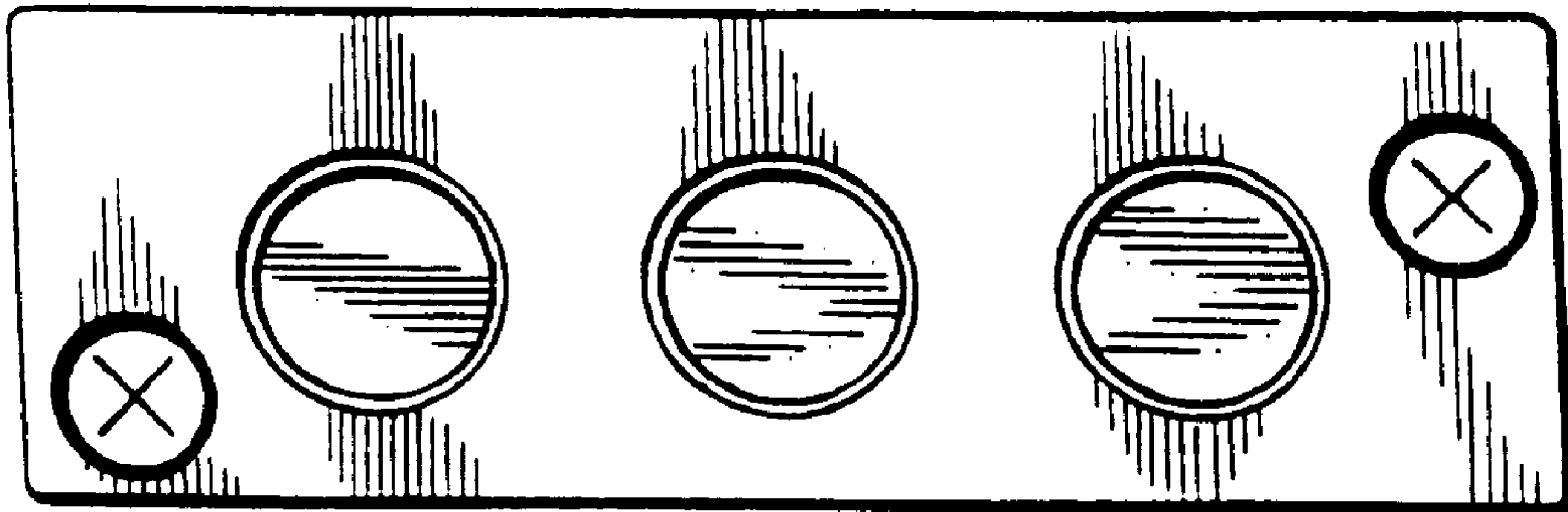


FIG. 5

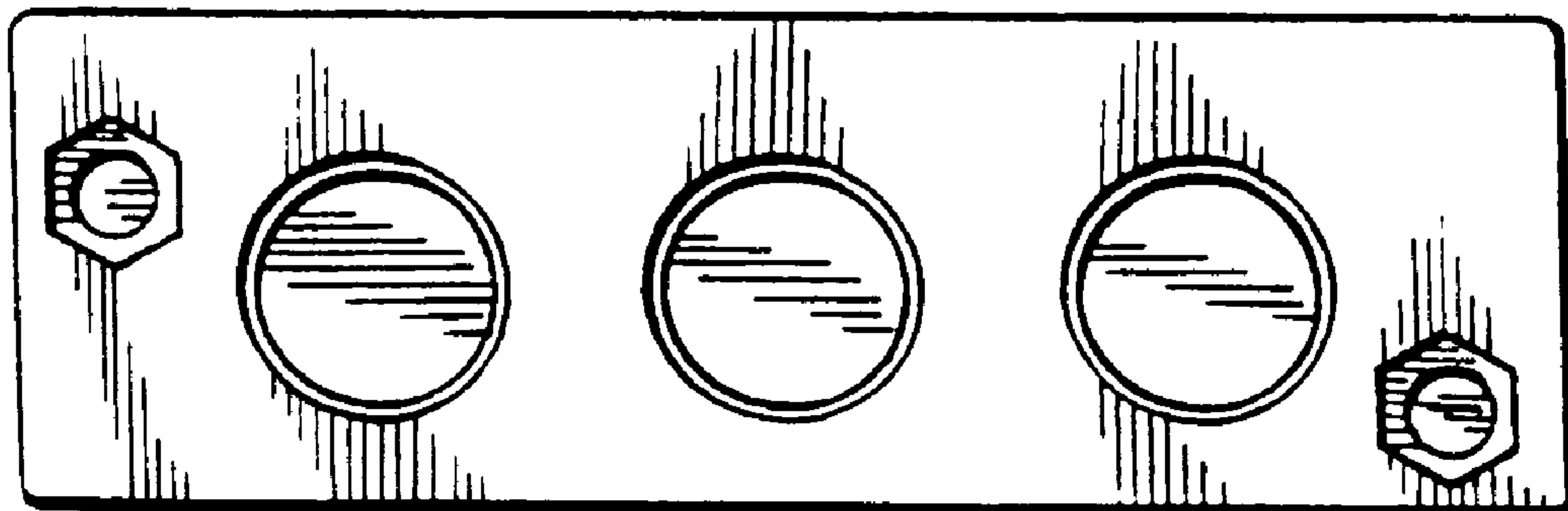


FIG. 6