



US00D420099S

# United States Patent [19]

Lewis et al.

[11] Patent Number: **Des. 420,099**

[45] Date of Patent: **\*\* Feb. 1, 2000**

## [54] FITTING FOR A VALVE SWITCH

[75] Inventors: **Alan Lewis**, Carlsbad; **John Newbold**, San Diego, both of Calif.

[73] Assignee: **Nordson Corporation**, Westlake, Ohio

[\*\*] Term: **14 Years**

[21] Appl. No.: **29/074,786**

[22] Filed: **Jul. 31, 1997**

### Related U.S. Application Data

[63] Continuation of application No. 29/068,742, Mar. 31, 1997, abandoned.

[51] **LOC (7) Cl.** ..... **23-01**

[52] **U.S. Cl.** ..... **D23/233**

[58] **Field of Search** ..... D23/233, 245, D23/249; 222/129, 135, 136

### [56] References Cited

#### U.S. PATENT DOCUMENTS

D. 379,492 5/1997 Walker et al. .... D23/233  
5,607,581 3/1997 Gerner et al. .

### OTHER PUBLICATIONS

Tri-Continent Scientific, "Accupump Modular Liquid-Handling System", Doc. 7703-01, pp. 1-4.

PFC Precision Series, "PD-9000".

Dispensit Model 1000 Series, "Rod Positive Displacement Dispense Valve", 1993.

*Primary Examiner*—Brian N. Vinson

*Attorney, Agent, or Firm*—Wood, Herron & Evans, L.L.P.

### [57] CLAIM

The ornamental design for a fitting for a valve switch, as shown and described.

### DESCRIPTION

FIG. 1 is a perspective view of a fitting for a valve switch showing my new design;

FIG. 2 is a left side elevational view thereof;

FIG. 3 is a top plan view thereof;

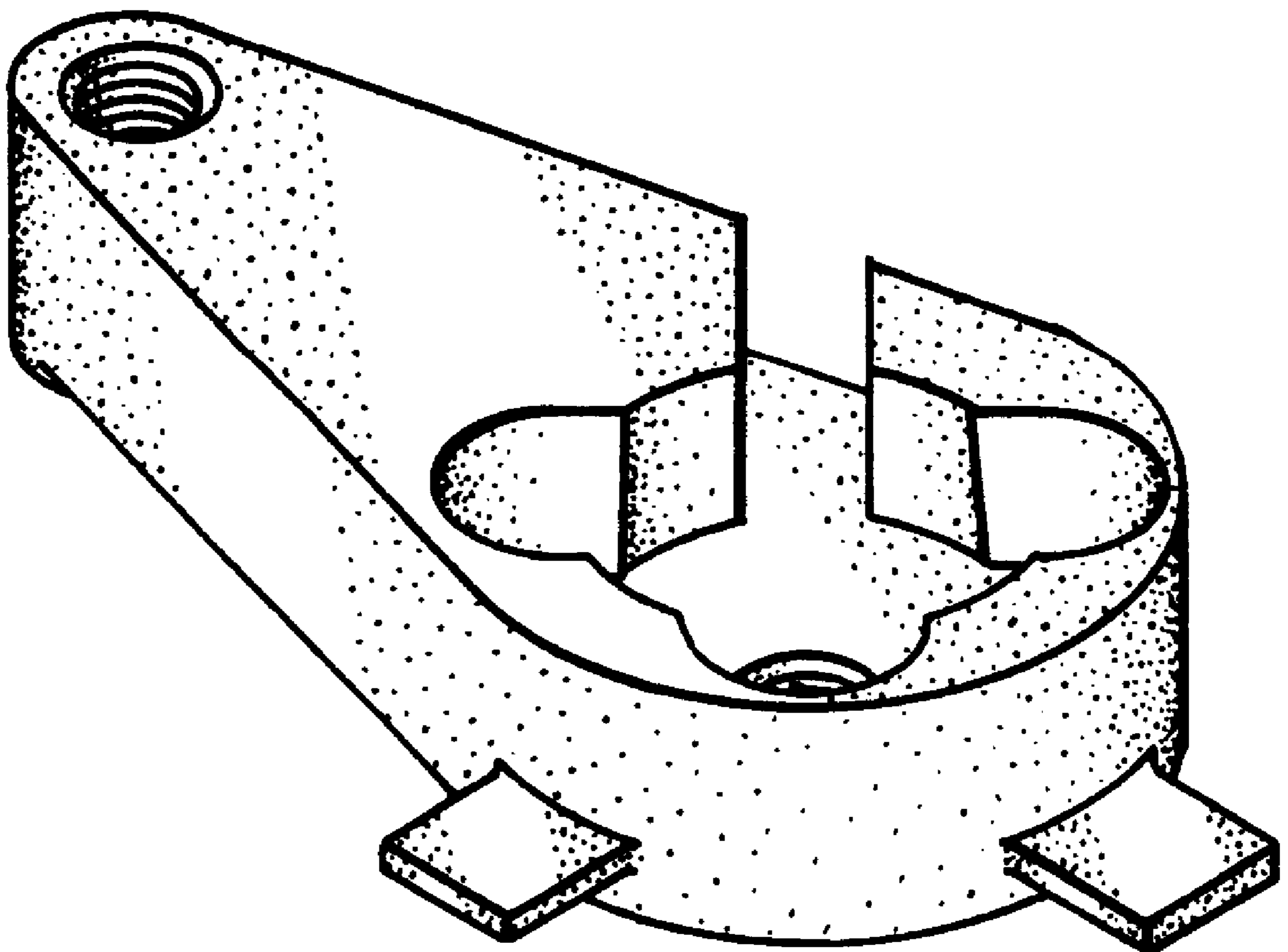
FIG. 4 is a right side elevational view thereof;

FIG. 5 is a front elevational view thereof;

FIG. 6 is a rear elevational view thereof; and,

FIG. 7 is a bottom elevational view thereof.

**1 Claim, 1 Drawing Sheet**



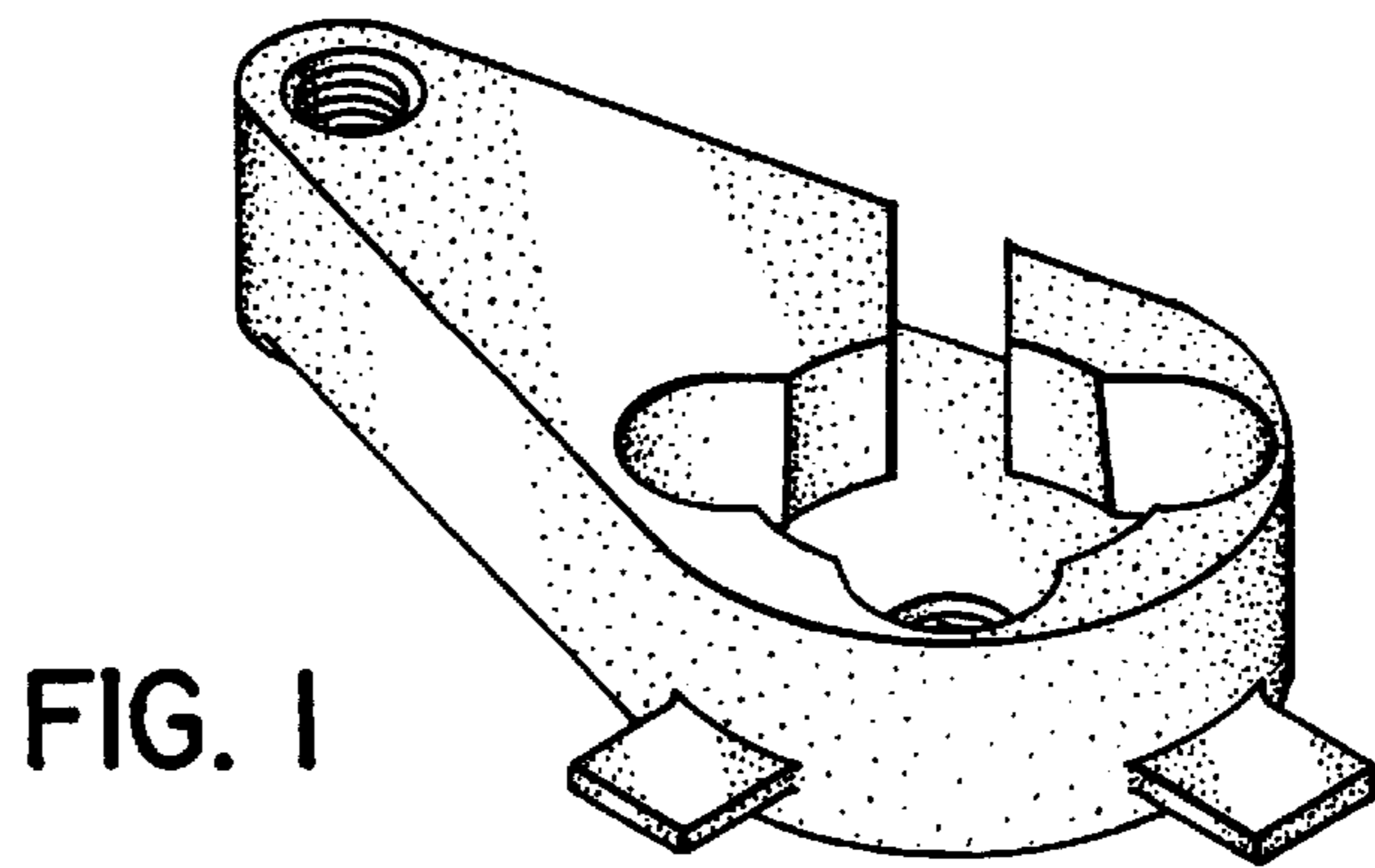


FIG. 1

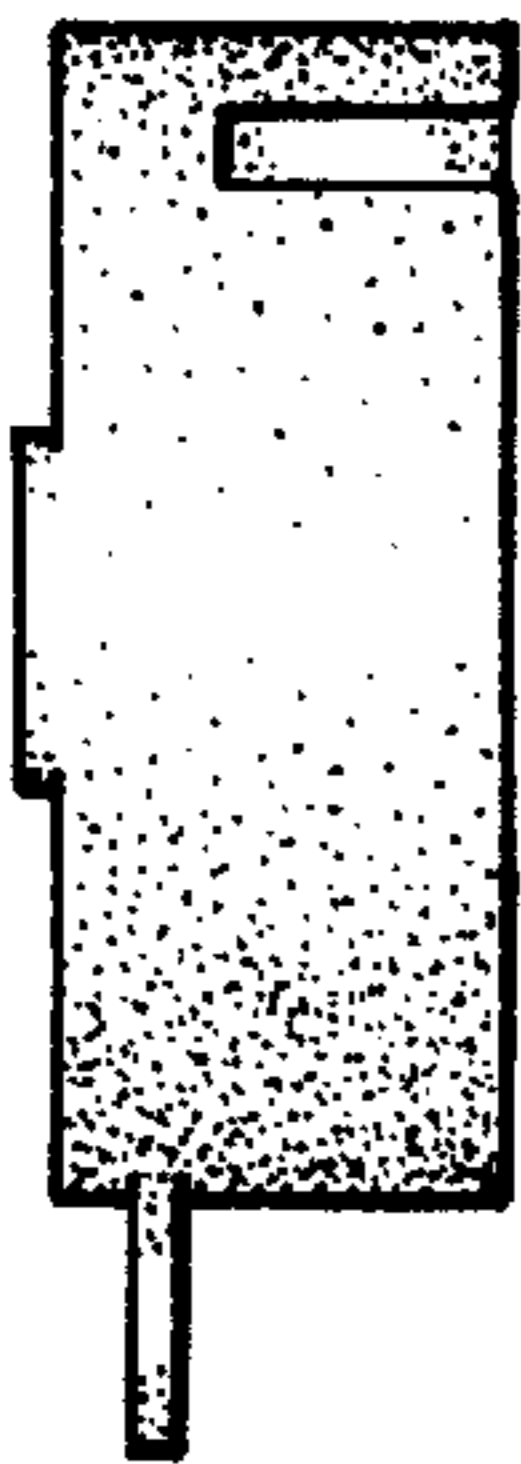


FIG. 2

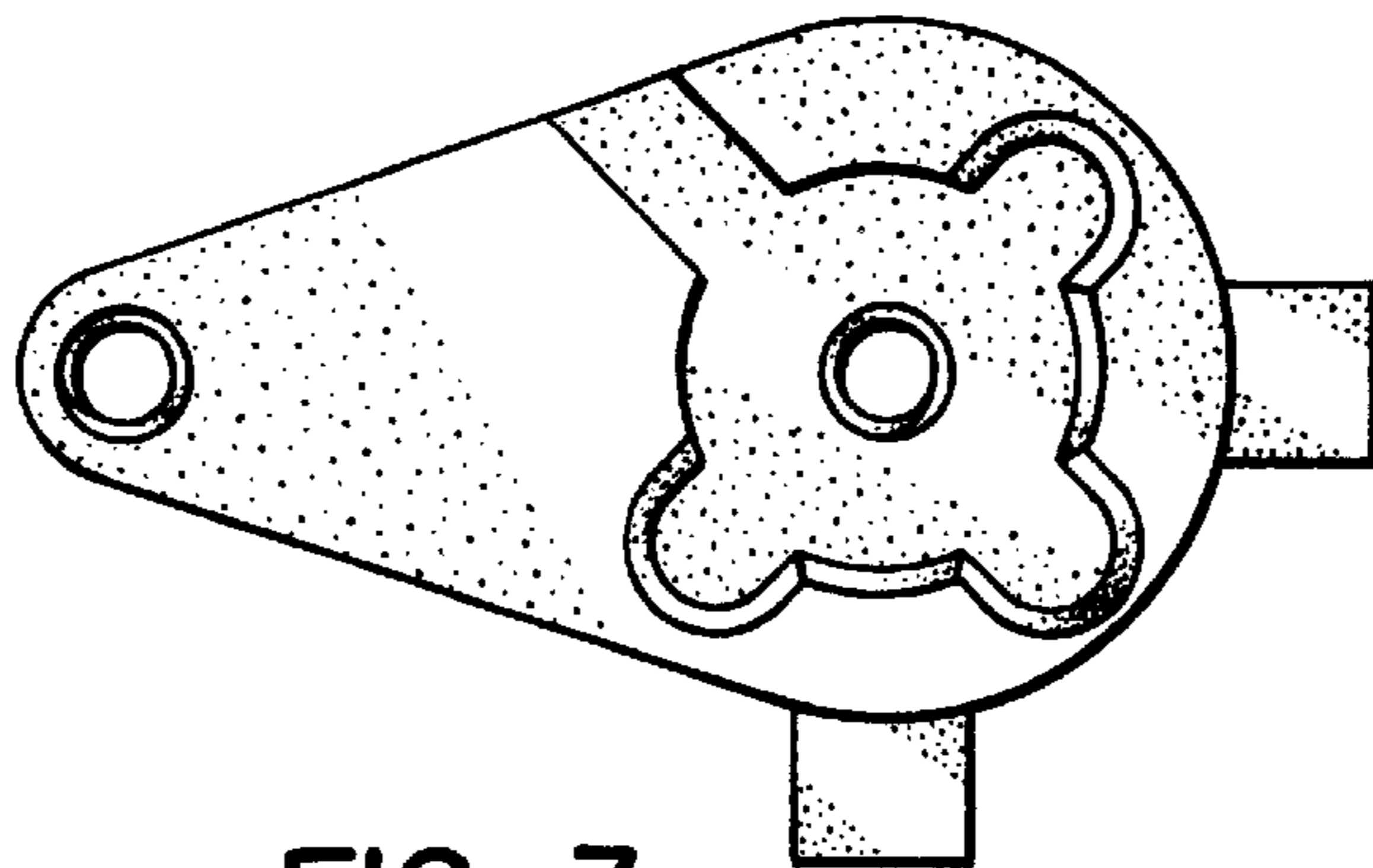


FIG. 3

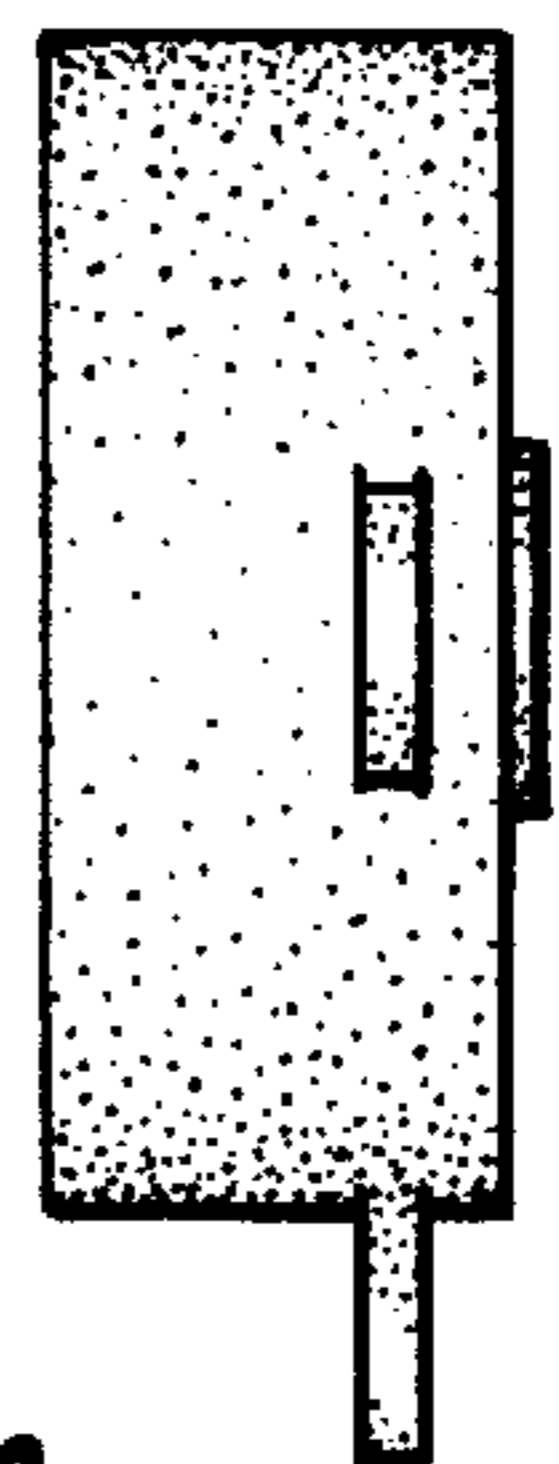


FIG. 4



FIG. 5



FIG. 6

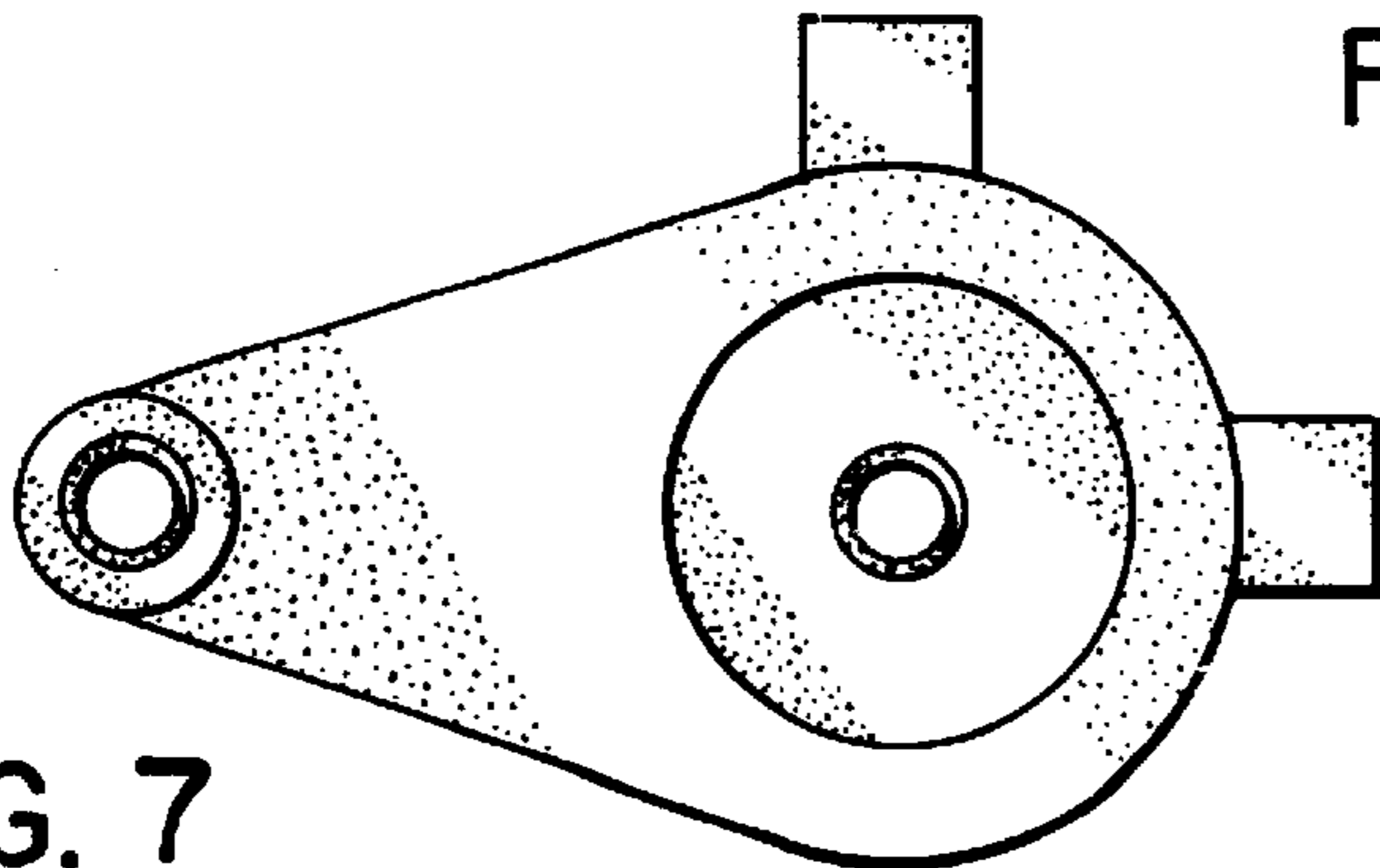


FIG. 7