



US00D420096S

United States Patent [19]
Tracy

[11] **Patent Number: Des. 420,096**

[45] **Date of Patent: ** Feb. 1, 2000**

[54] **WATER CANNON**

2,731,296 1/1956 Griffith 239/279
4,171,095 10/1979 Filan et al. 239/200

[76] Inventor: **Wyeth Tracy**, 591 Albright Rd,
Uxbridge Ont., Canada, L9P 1R4

Primary Examiner—Robin V. Taylor
Attorney, Agent, or Firm—Riches, McKenzie & Herbert

[**] Term: **14 Years**

[57] **CLAIM**

[21] Appl. No.: **29/100,635**

I claim the ornamental design for a water cannon, as shown and described.

[22] Filed: **Feb. 16, 1999**

[30] **Foreign Application Priority Data**

DESCRIPTION

Dec. 15, 1998 [CA] Canada 1998-3046

FIG. 1—is a front elevational view of a water cannon showing my new design;

[51] **LOC (7) Cl.** **23-01**

FIG. 2—is a side elevational view thereof;

[52] **U.S. Cl.** **D23/214**

FIG. 3—is a top view thereof;

[58] **Field of Search** D23/214-219;
239/200, 261, 273, 276, 279

FIG. 4—is a rear elevational view;

FIG. 5—is a side elevational view, the side being opposite to that shown in FIG. 2; and,

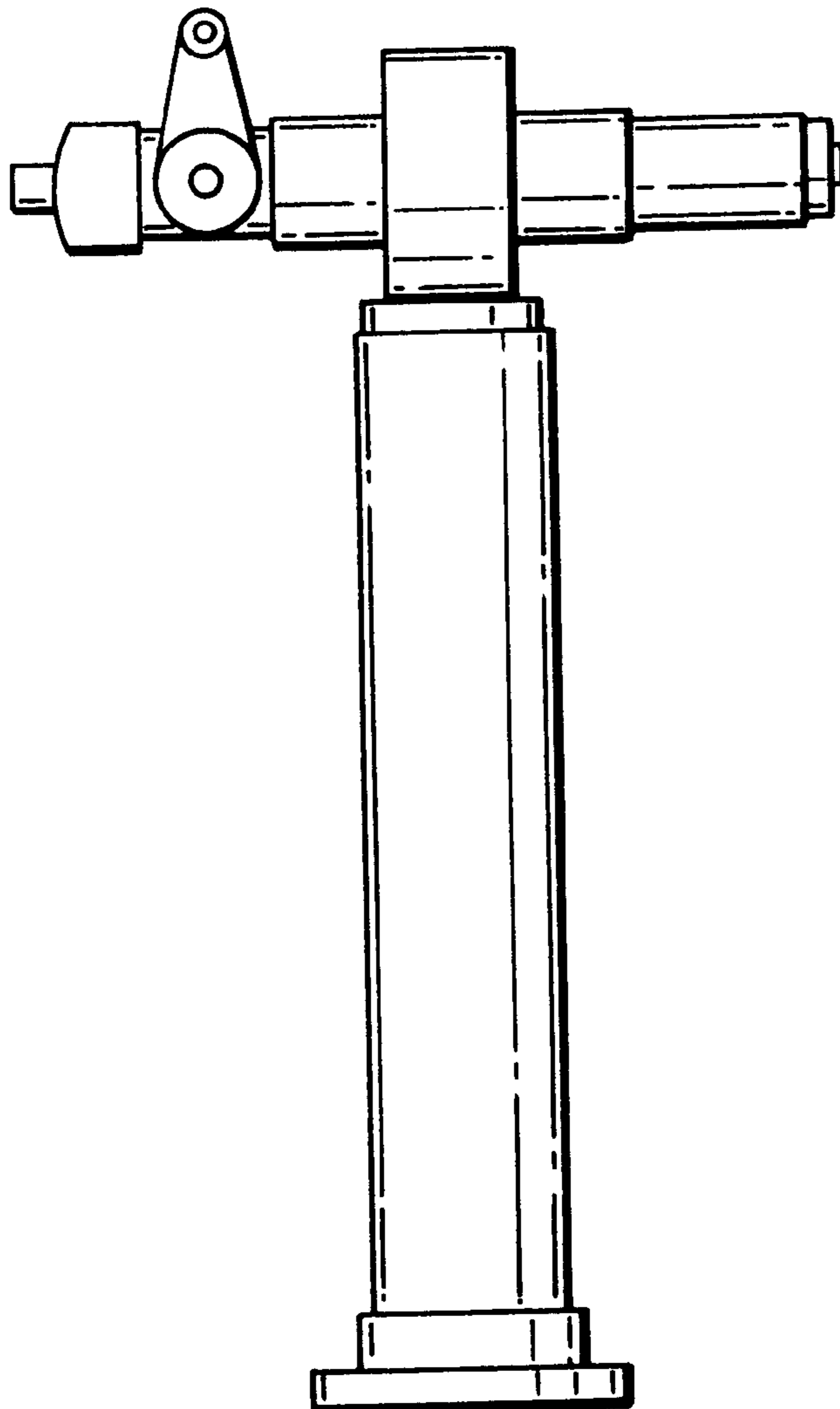
FIG. 6—is a bottom view thereof.

[56] **References Cited**

U.S. PATENT DOCUMENTS

D. 316,744 5/1991 Clivio D23/218

1 Claim, 2 Drawing Sheets



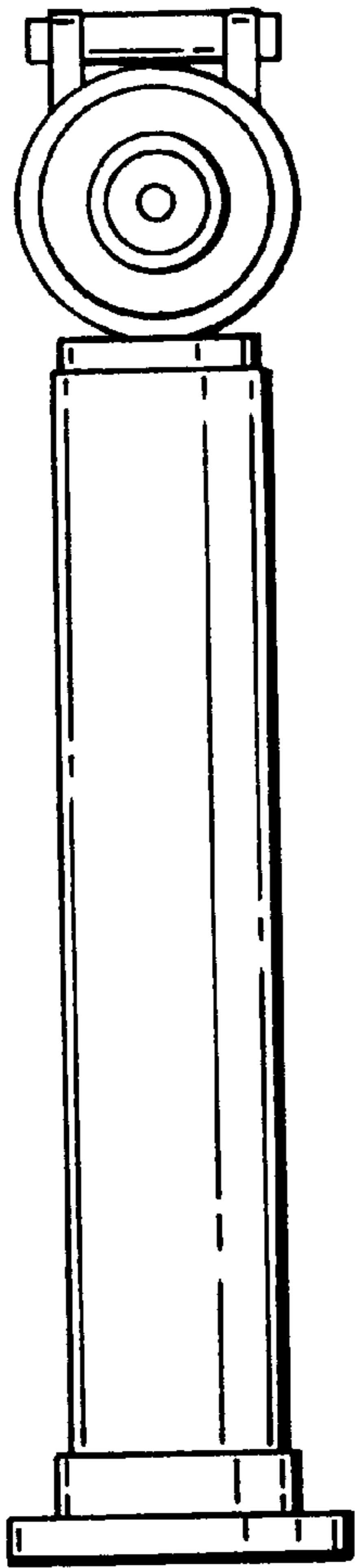


FIG. 1.

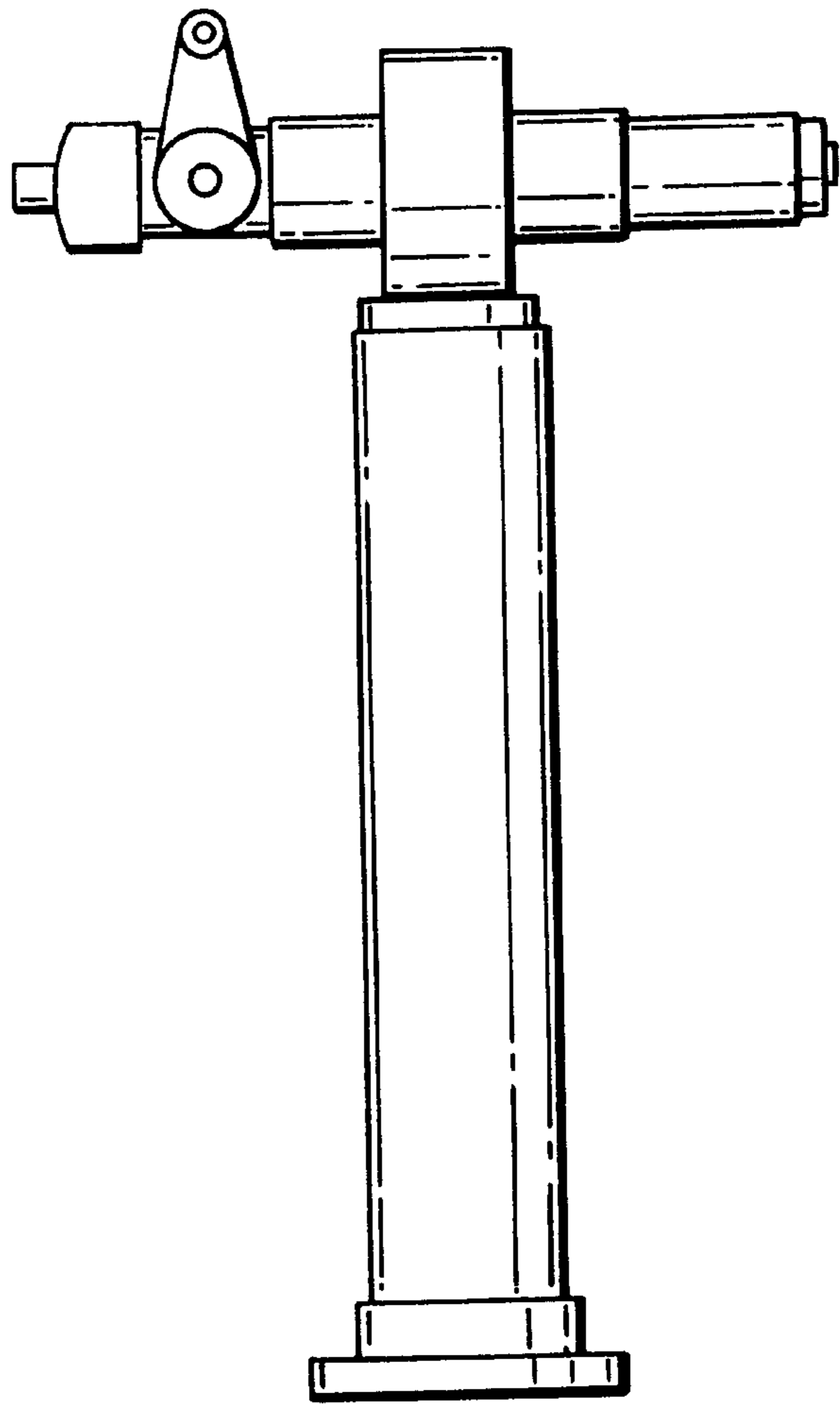


FIG. 2.

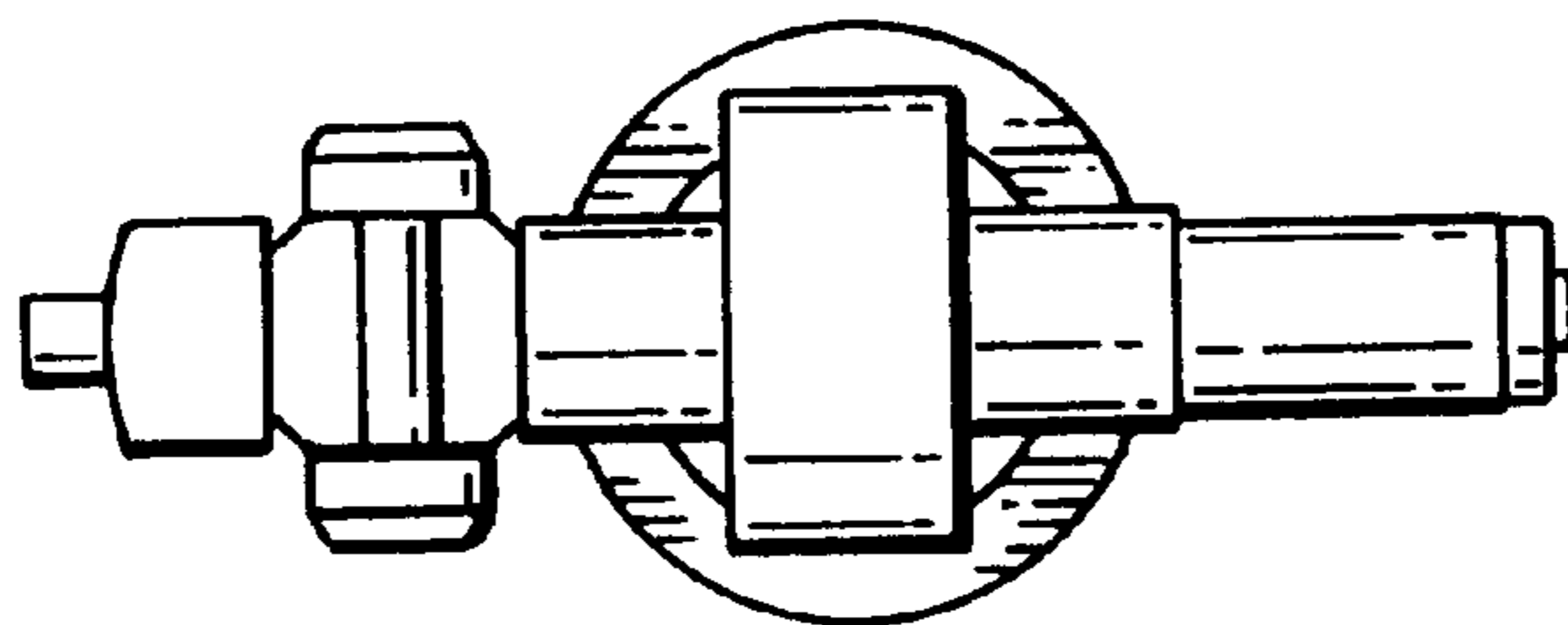


FIG. 3.

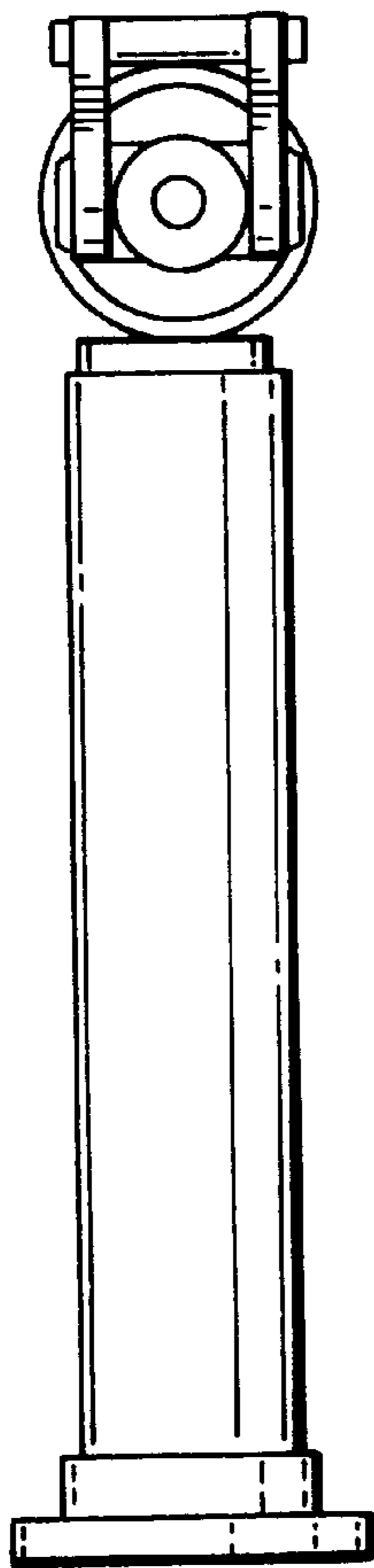


FIG. 4.

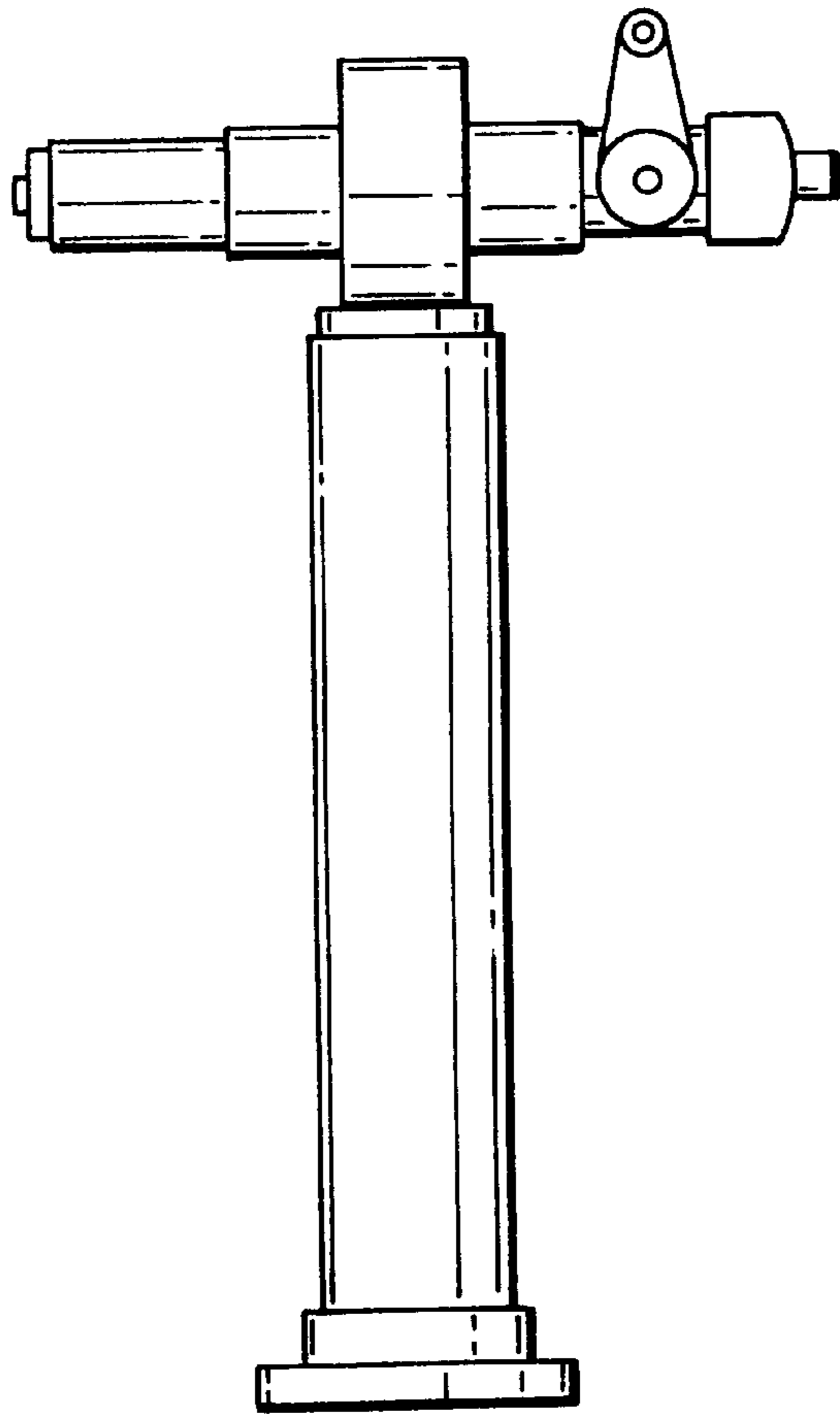


FIG. 5.

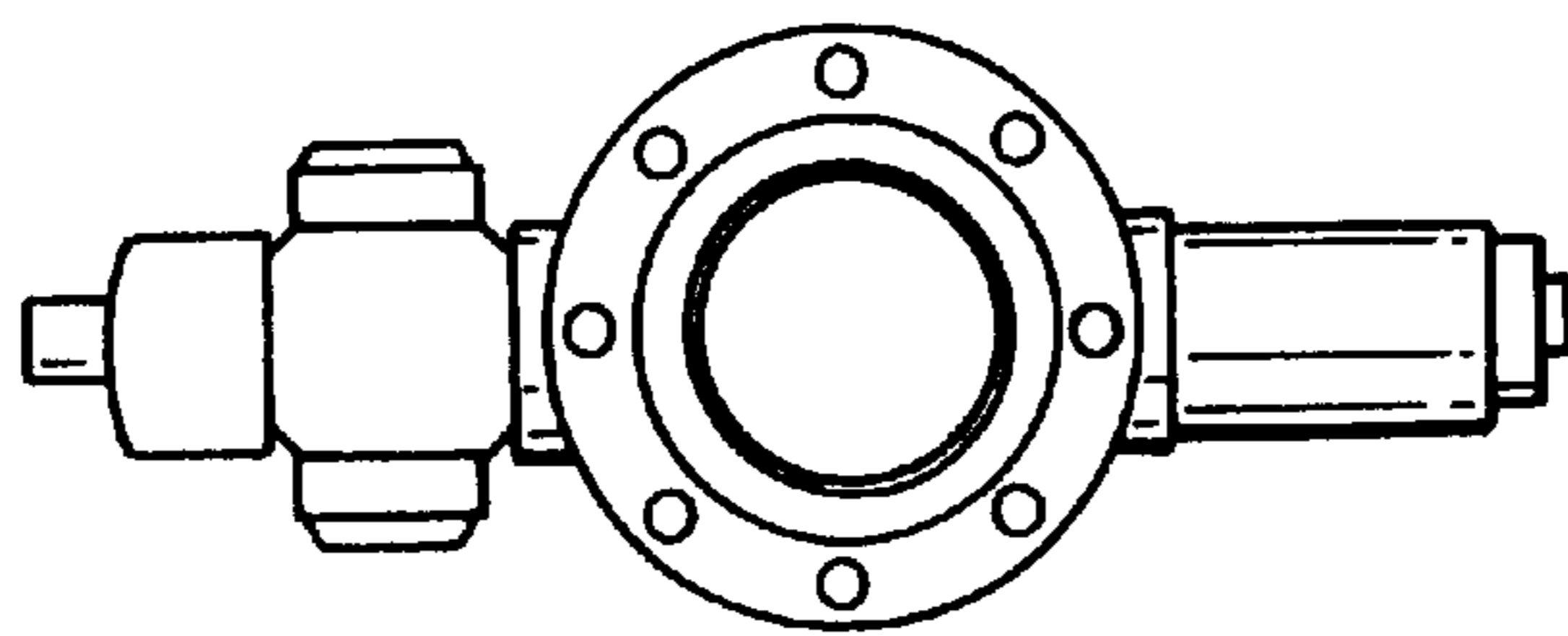


FIG. 6.