



US00D420092S

# United States Patent [19]

Lisseveld

[11] Patent Number: **Des. 420,092**

[45] Date of Patent: **\*\* Feb. 1, 2000**

[54] **MAGNETIC FLUID CONDITIONER SHELL**

[76] Inventor: **Wouter Lisseveld**, P.O. Box 4011, Ft. Myers Beach, Fla. 33932

[\*\*] Term: **14 Years**

[21] Appl. No.: **29/101,757**

[22] Filed: **Mar. 11, 1999**

[51] **LOC (7) Cl.** ..... **23-01**

[52] **U.S. Cl.** ..... **D23/207**

[58] **Field of Search** ..... D23/200, 207-209; 210/695, 222, 223

5,248,437	9/1993	Forrest	.....	210/695
5,520,158	5/1996	Williamson	.....	123/538
5,529,688	6/1996	Kacarov et al.	.....	210/222
5,534,156	7/1996	Sanderson	.....	210/695
5,536,401	7/1996	Burns	.....	210/222
5,637,226	6/1997	Adams et al.	.....	210/695
5,716,520	2/1998	Mason	.....	210/222

*Primary Examiner*—Robin V. Taylor  
*Attorney, Agent, or Firm*—Edward M. Livingston, Esq.

### [57] CLAIM

The ornamental design for a magnetic fluid conditioner shell, as shown and described.

### DESCRIPTION

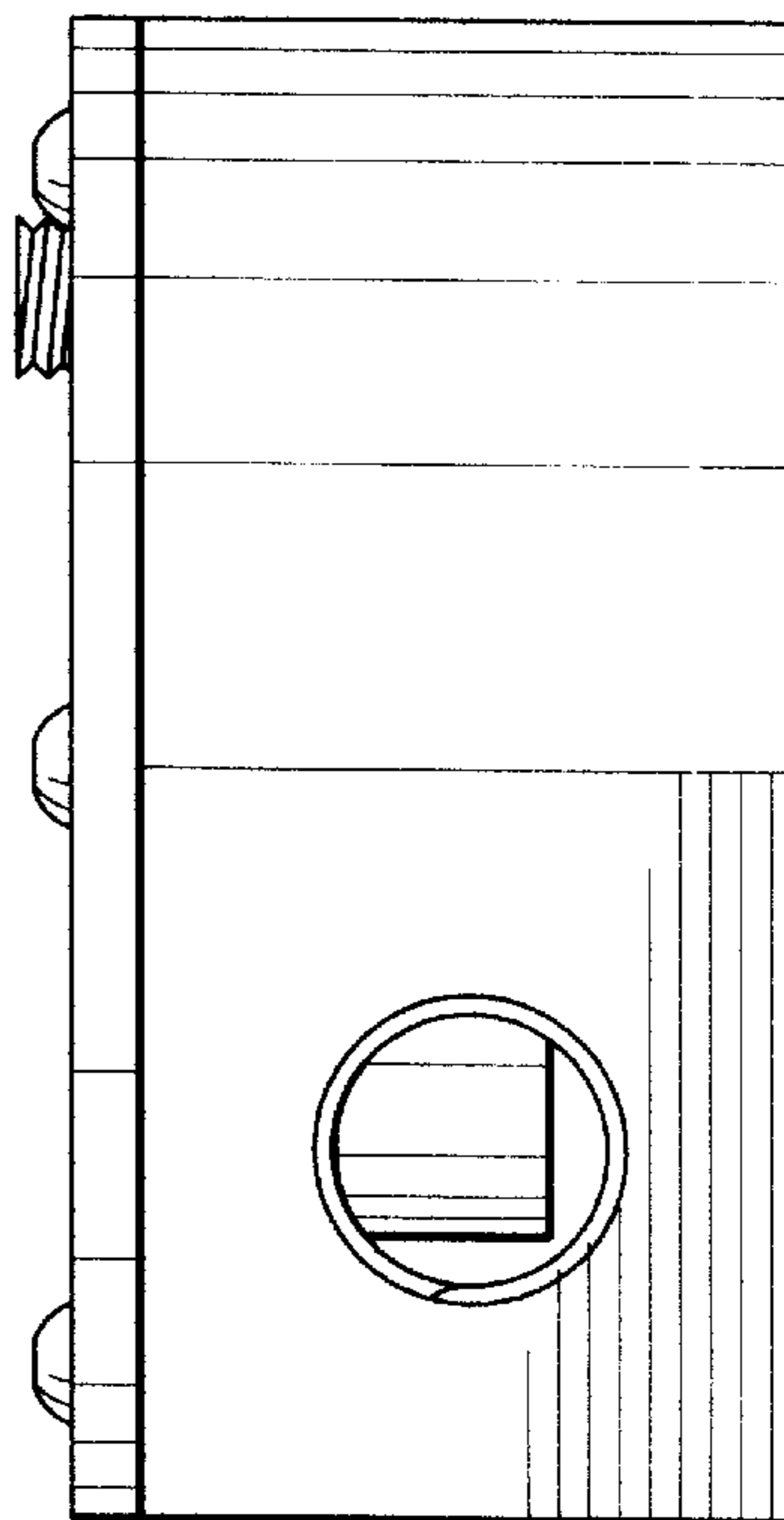
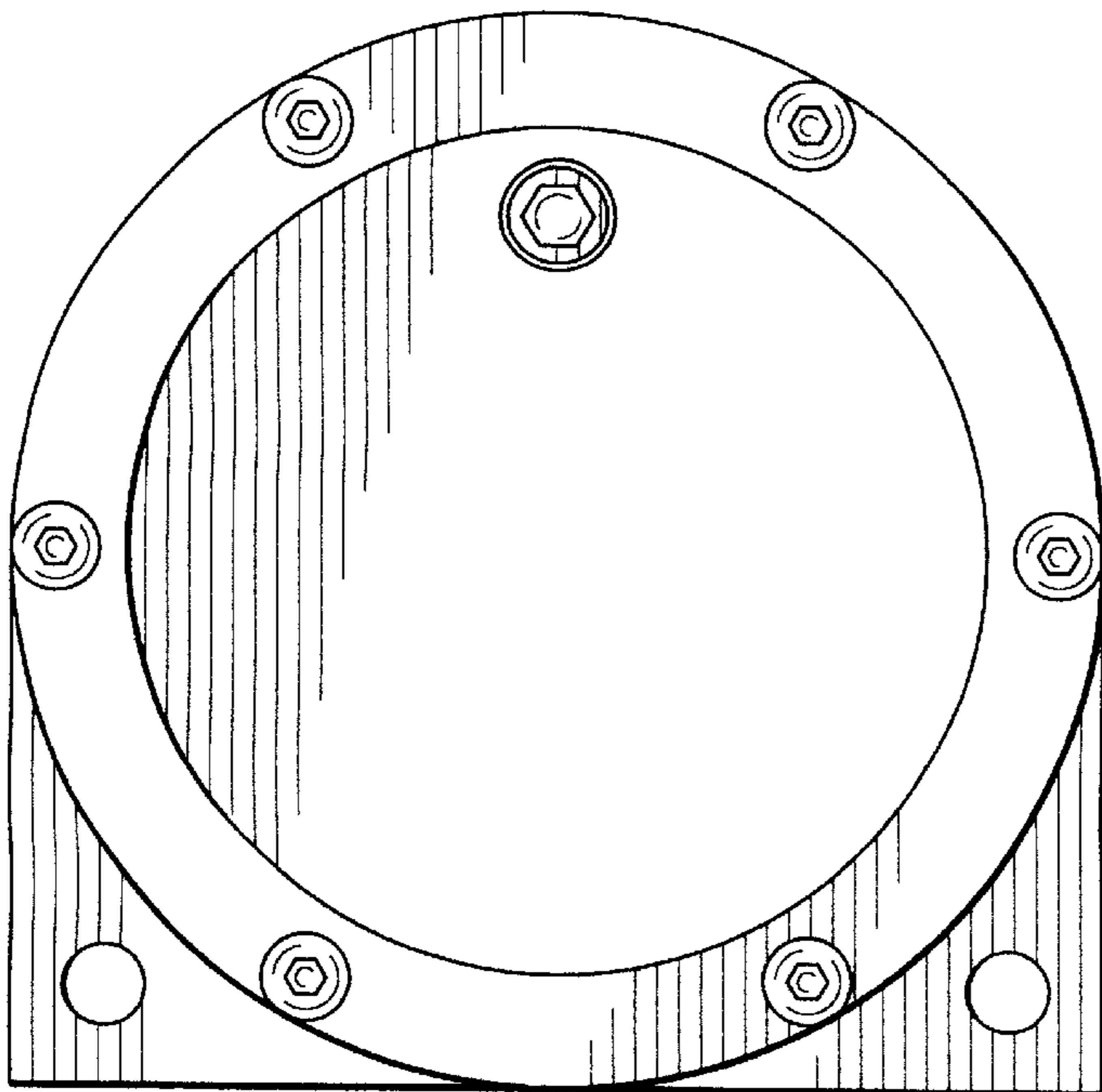
FIG. 1 is a front view of the magnetic fluid conditioner shell; FIG. 2 is a back view of the magnetic fluid conditioner shell; FIG. 3 is a left side view of the magnetic fluid conditioner shell; FIG. 4 is a right side view of the magnetic fluid conditioner shell; FIG. 5 is a top view of the magnetic fluid conditioner shell; and, FIG. 6 is a bottom view of the magnetic fluid conditioner shell.

### [56] References Cited

#### U.S. PATENT DOCUMENTS

D. 262,306	12/1981	Carpenter	.....	D23/207
D. 318,516	7/1991	Ellison et al.	.....	D23/207
D. 342,304	12/1993	Kashani	.....	D23/207
4,065,386	12/1977	Rigby	.....	210/60
4,460,516	7/1984	Kapitanov	.....	261/1
4,519,919	5/1985	Whyte et al.	.....	210/695
4,731,186	3/1988	Belasco	.....	210/695
4,865,747	9/1989	Larson et al.	.....	210/695
4,879,045	11/1989	Eggerichs	.....	210/695
5,055,188	10/1991	Johnston et al.	.....	210/222

**1 Claim, 2 Drawing Sheets**



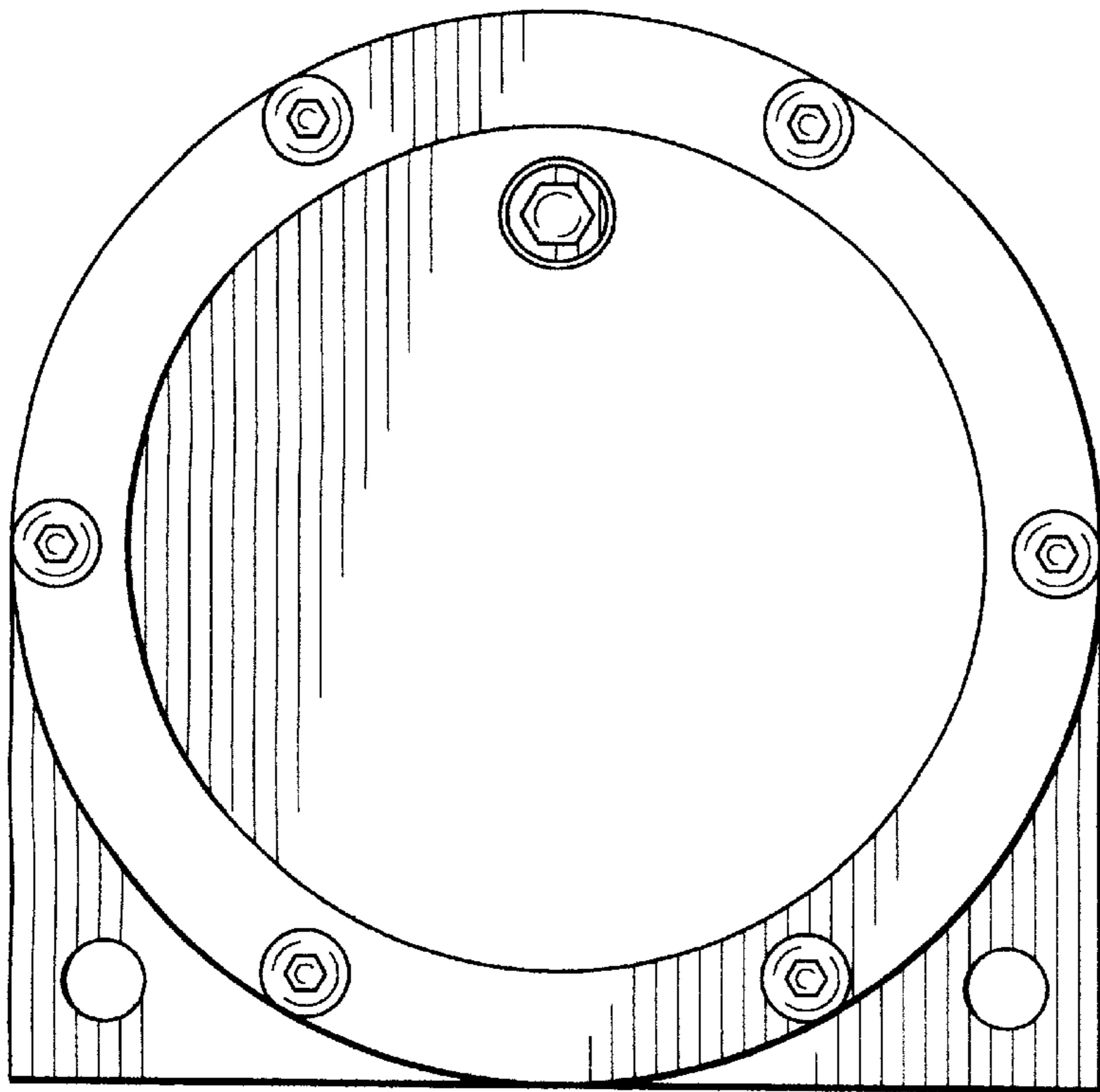


FIG. 1

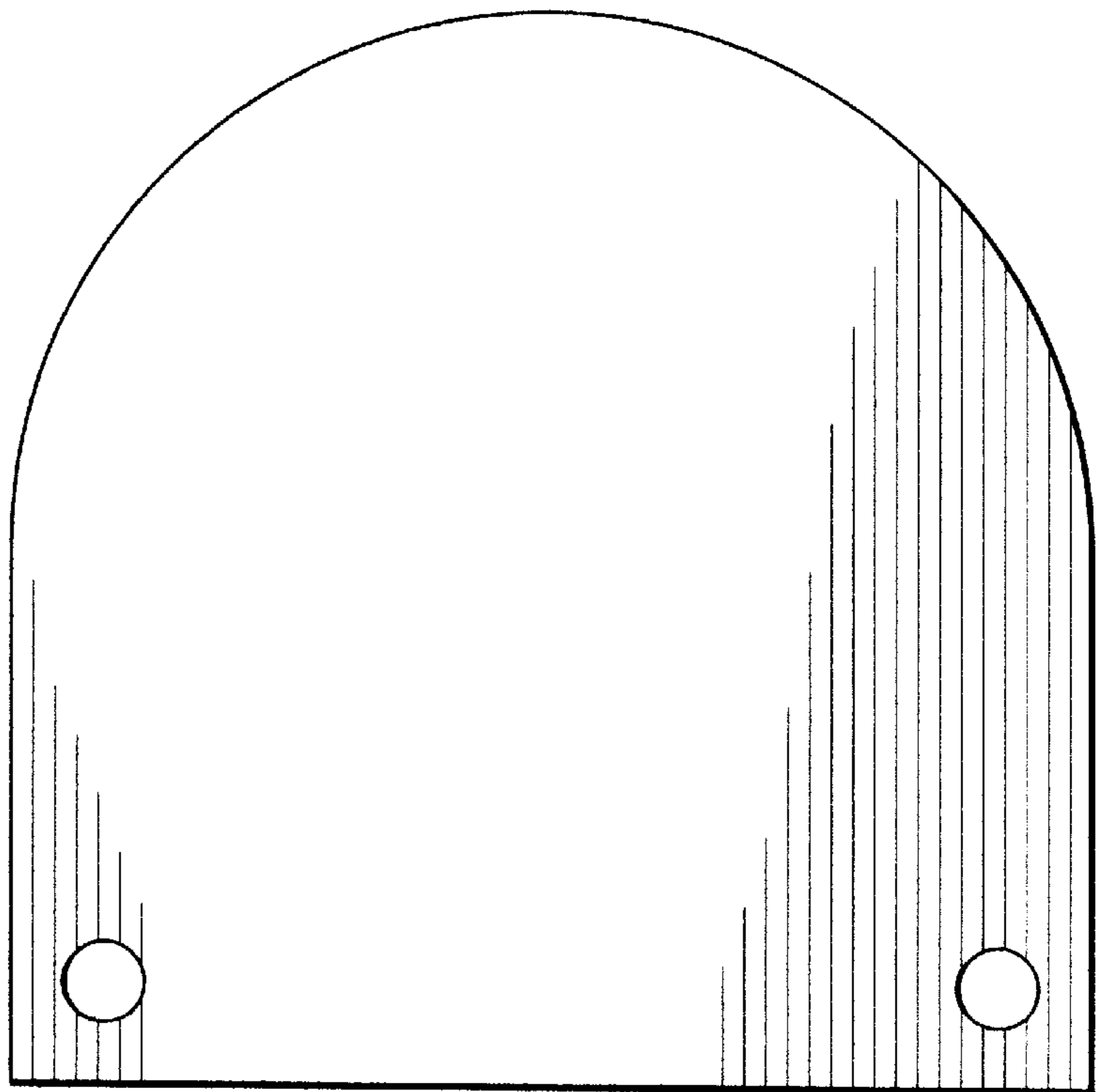


FIG. 2

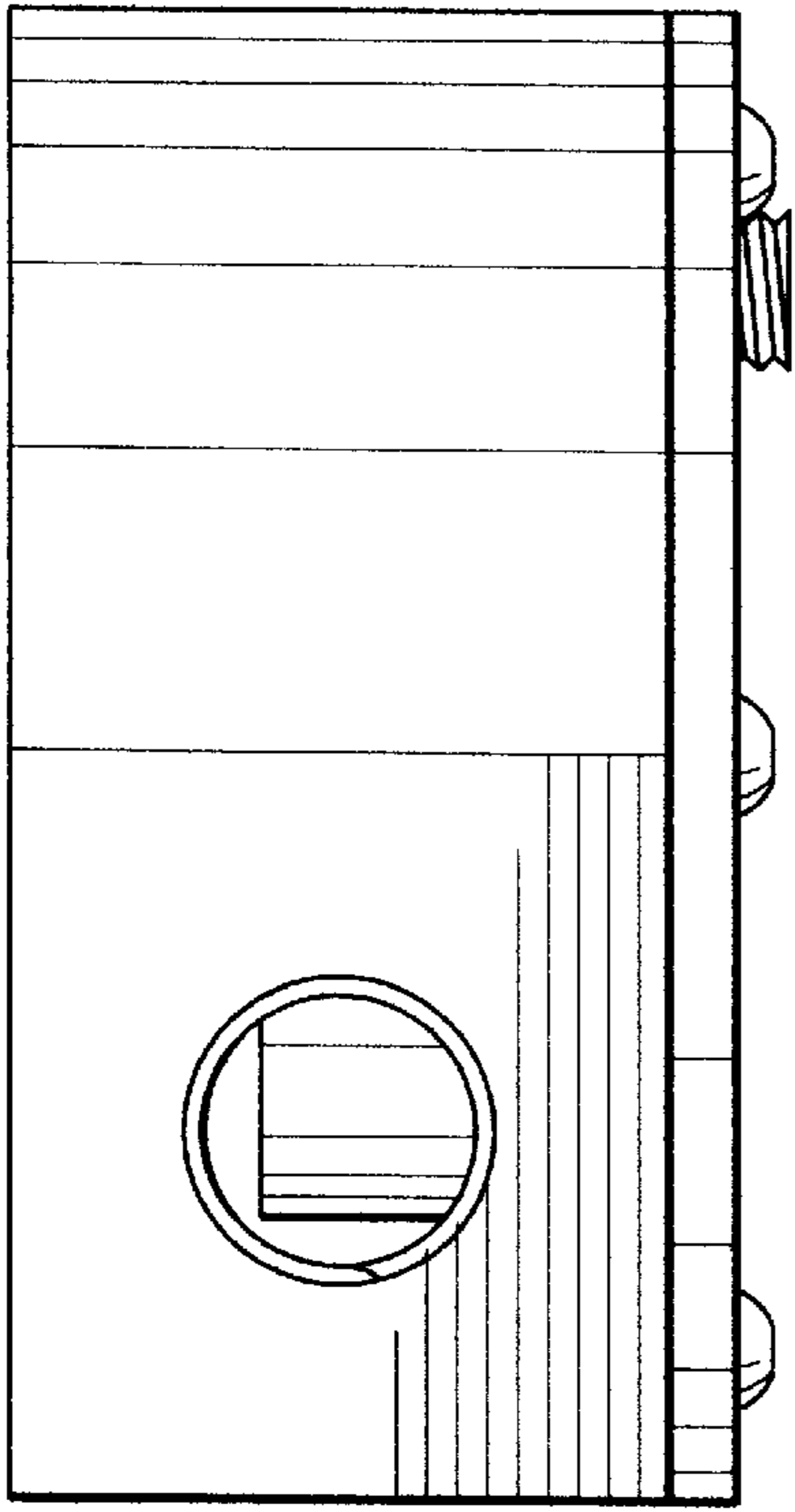


FIG. 3

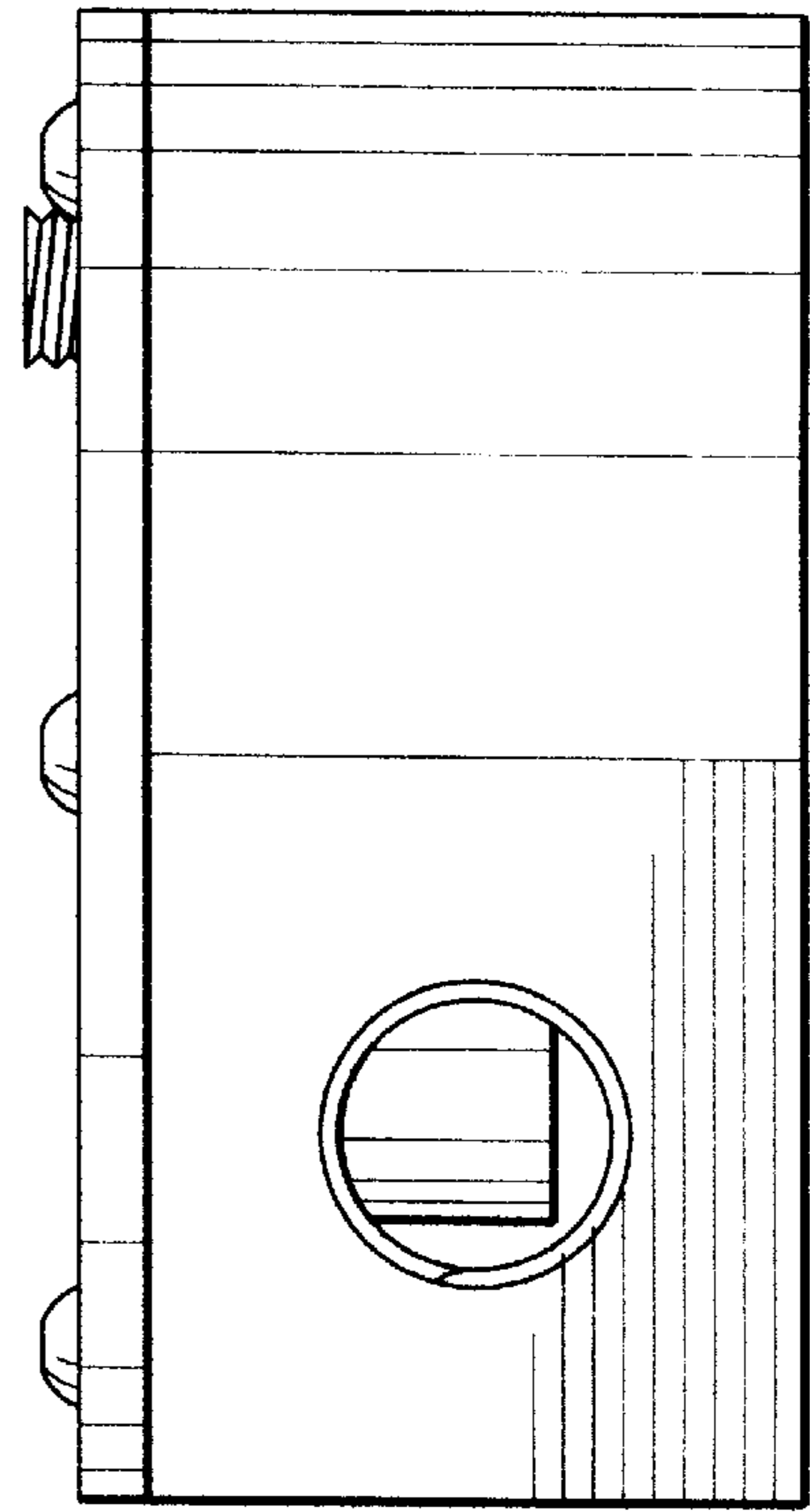


FIG. 4

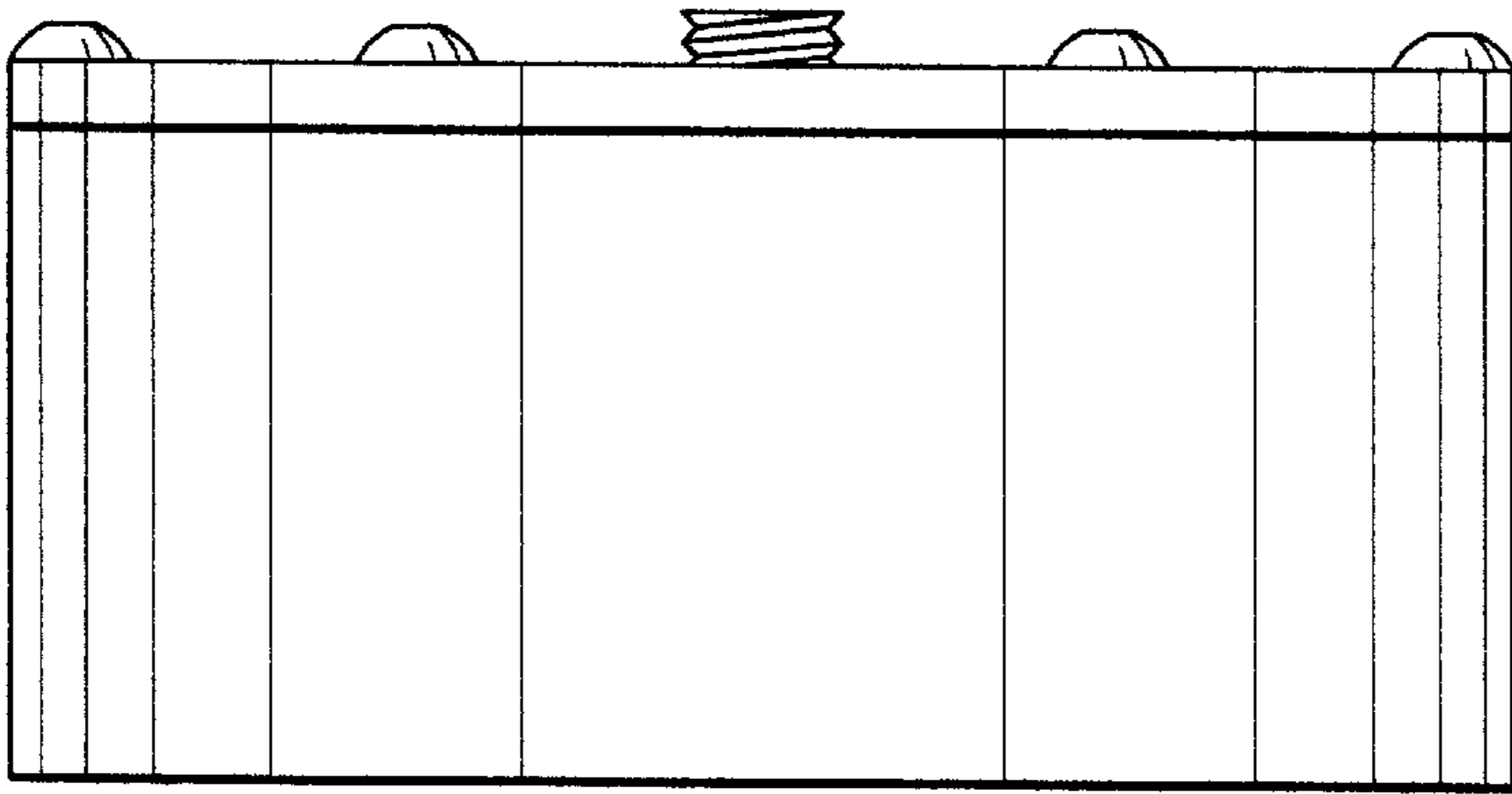


FIG. 5

FIG. 6

