



US00D420091S

United States Patent [19]
Kim et al.

[11] **Patent Number: Des. 420,091**
[45] **Date of Patent: ** Feb. 1, 2000**

[54] **FISHING REEL**

[75] Inventors: **Hyunkyu Kim**, Broken Arrow; **Robert Bagby**, Bixby, both of Okla.; **Richard J. Robbins**, Derby, Kans.

[73] Assignee: **Zebco Division of Brunswick Corporation**, Tulsa, Okla.

[**] Term: **14 Years**

[21] Appl. No.: **29/101,489**

[22] Filed: **Mar. 5, 1999**

[51] **LOC (7) Cl.** **22-05**

[52] **U.S. Cl.** **D22/140**

[58] **Field of Search** D22/137, 138,
D22/139, 140, 141; 43/19, 19.2; 242/370,
223, 224, 311

[56] **References Cited**

U.S. PATENT DOCUMENTS

- D. 153,417 4/1949 Clickner D22/140
- D. 212,752 11/1968 Jaquemin D22/137
- D. 223,606 5/1972 Hess D11/140

- D. 281,093 10/1985 Heimovics et al. D22/141
- D. 281,190 10/1985 Sakai D22/141
- D. 290,636 6/1987 Robbins et al. D22/141
- D. 299,848 2/1989 Hiraishi et al. D22/140
- D. 308,090 5/1990 Yeh D22/139

Primary Examiner—Louis S. Zarfaz
Assistant Examiner—Inga-Maria Hyttinen
Attorney, Agent, or Firm—Fellers, Snider, Blankenship,
Bailey & Tippens

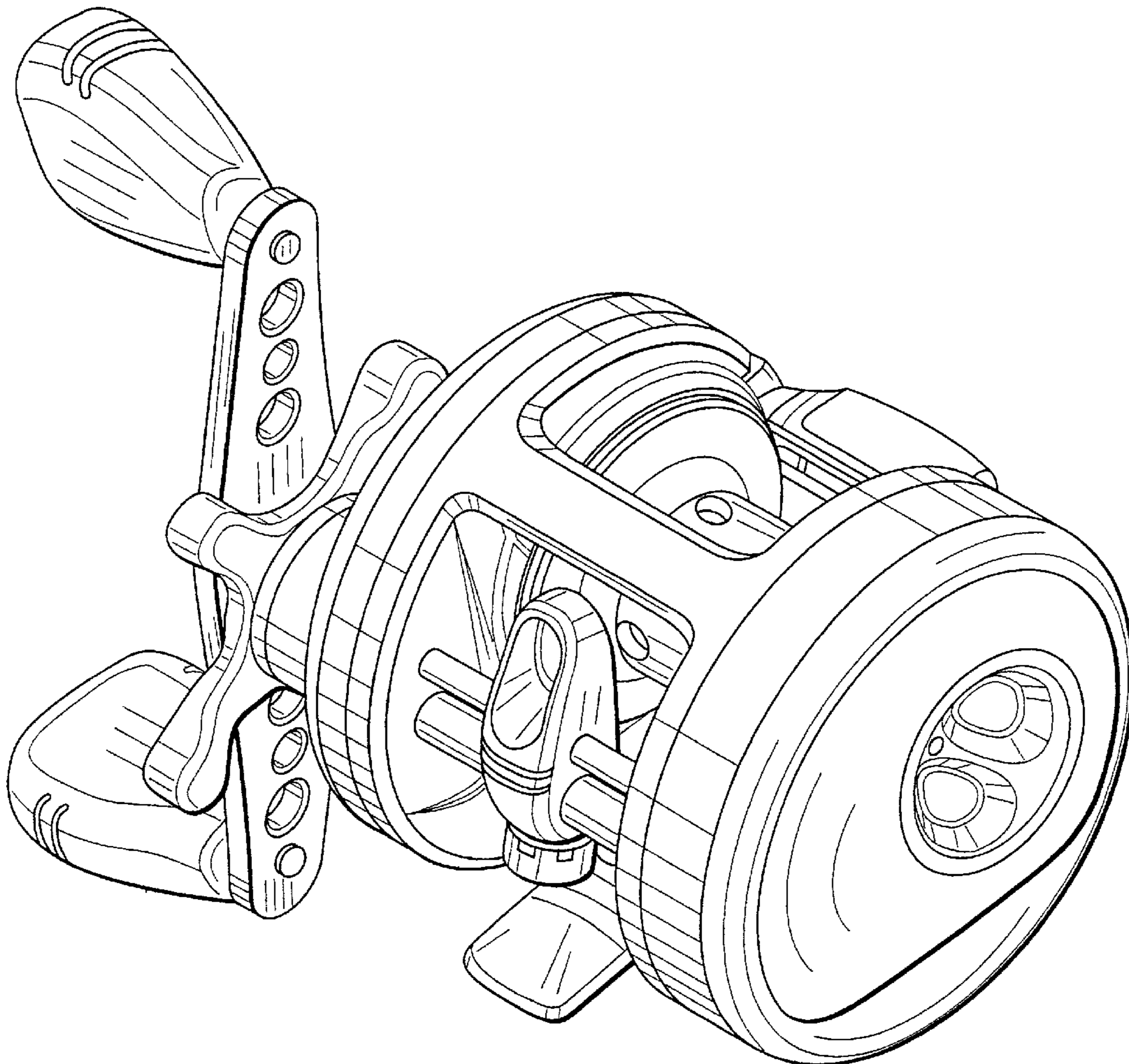
[57] **CLAIM**

The ornamental design for a fishing reel, as shown.

DESCRIPTION

FIG. 1 is a right side perspective view of a fishing reel showing our design;
FIG. 2 is a left side perspective view thereof;
FIG. 3 is a rear elevational view thereof;
FIG. 4 is a front elevational view thereof;
FIG. 5 is a top plan view thereof;
FIG. 6 is a bottom view thereof;
FIG. 7 is a right side elevational view thereof; and,
FIG. 8 is a left side elevational view thereof.

1 Claim, 6 Drawing Sheets



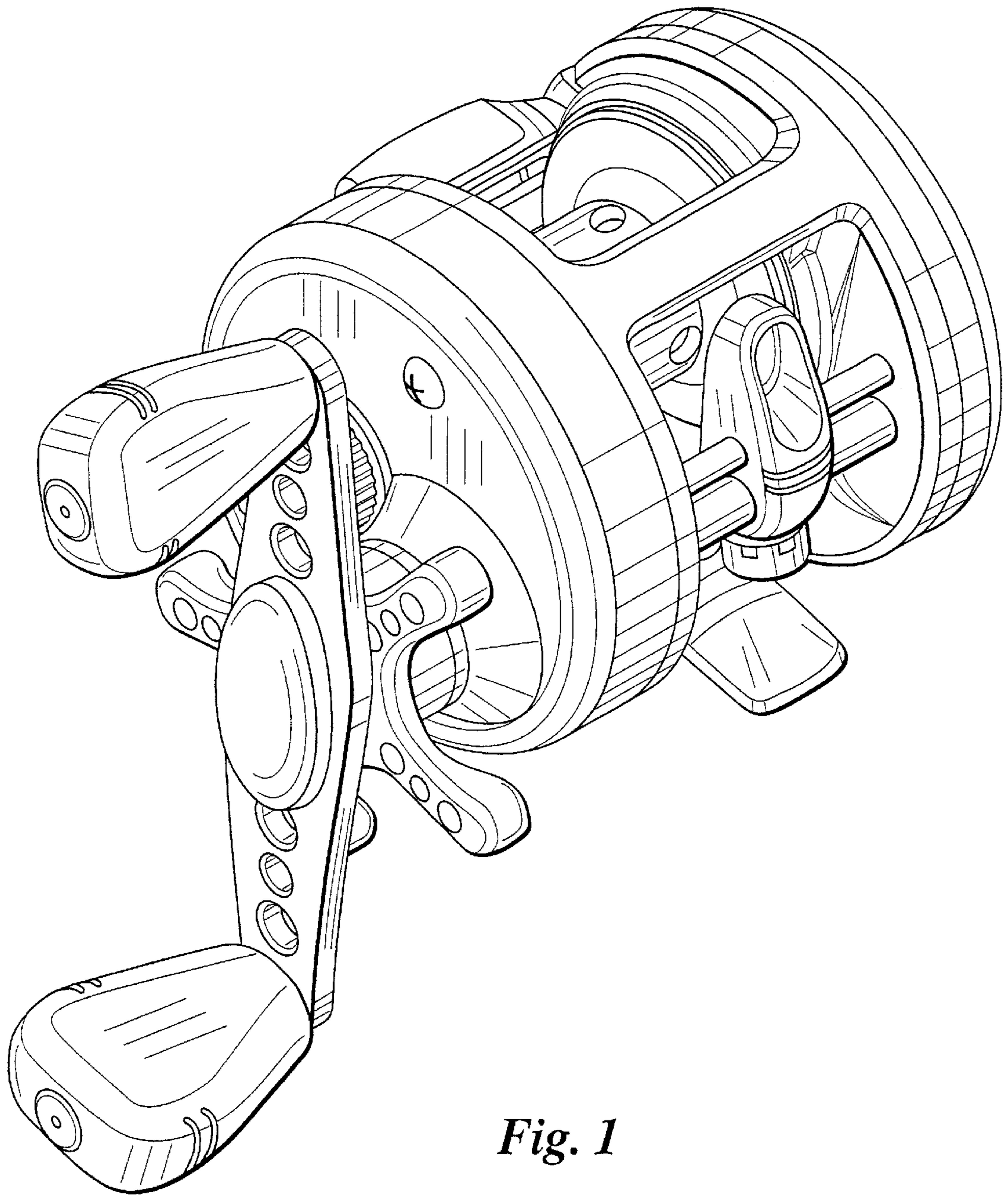


Fig. 1

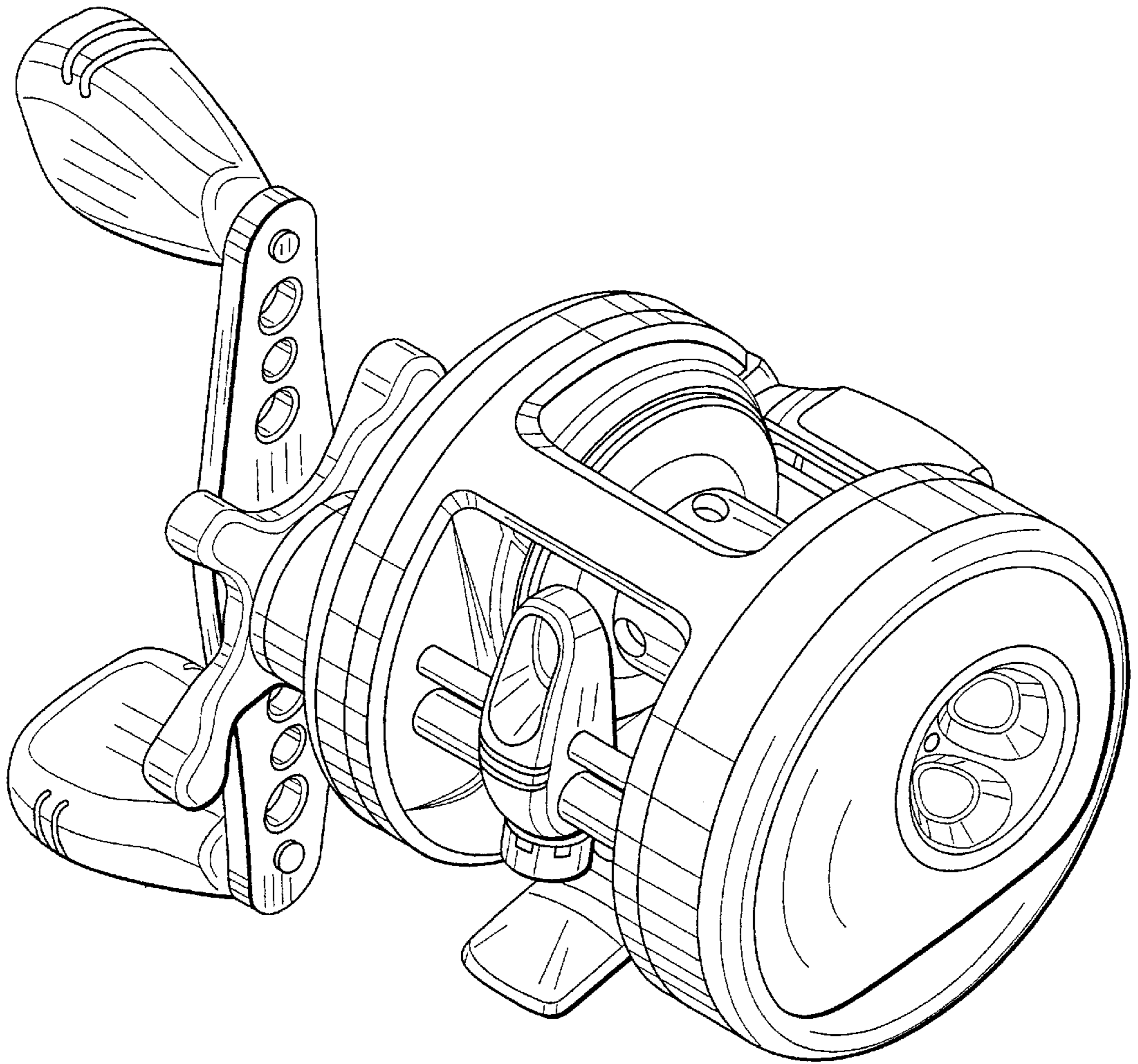


Fig. 2

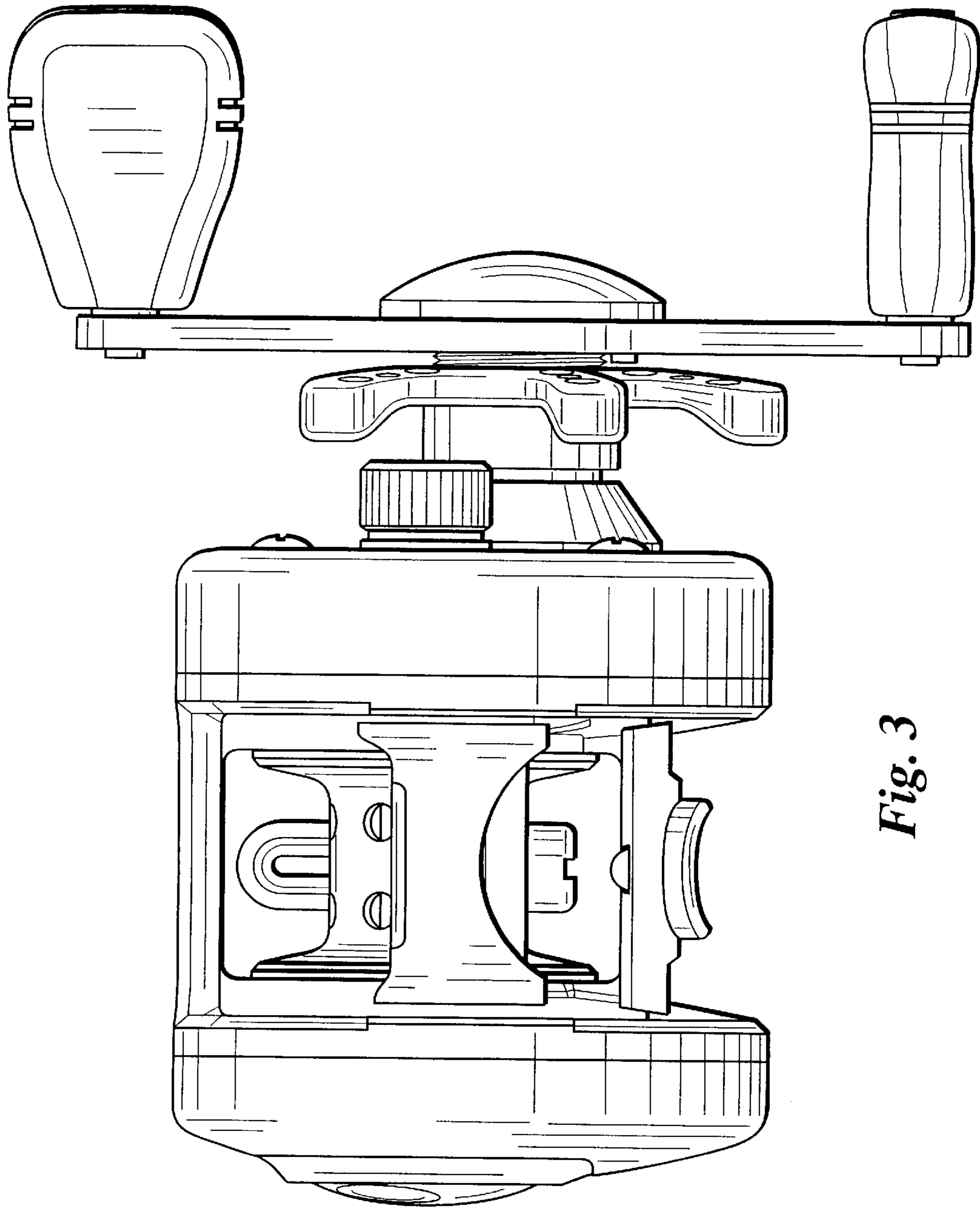


Fig. 3

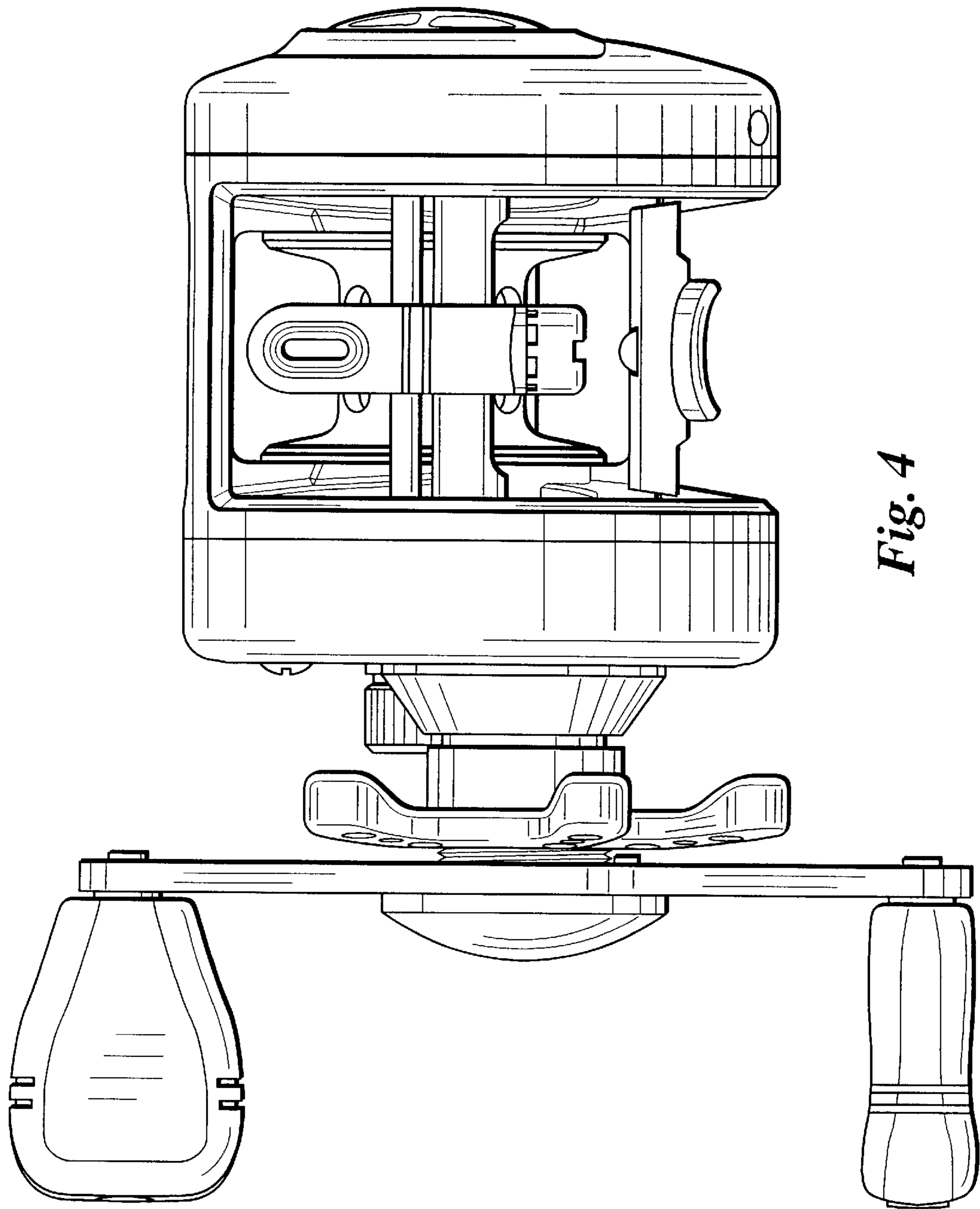


Fig. 4

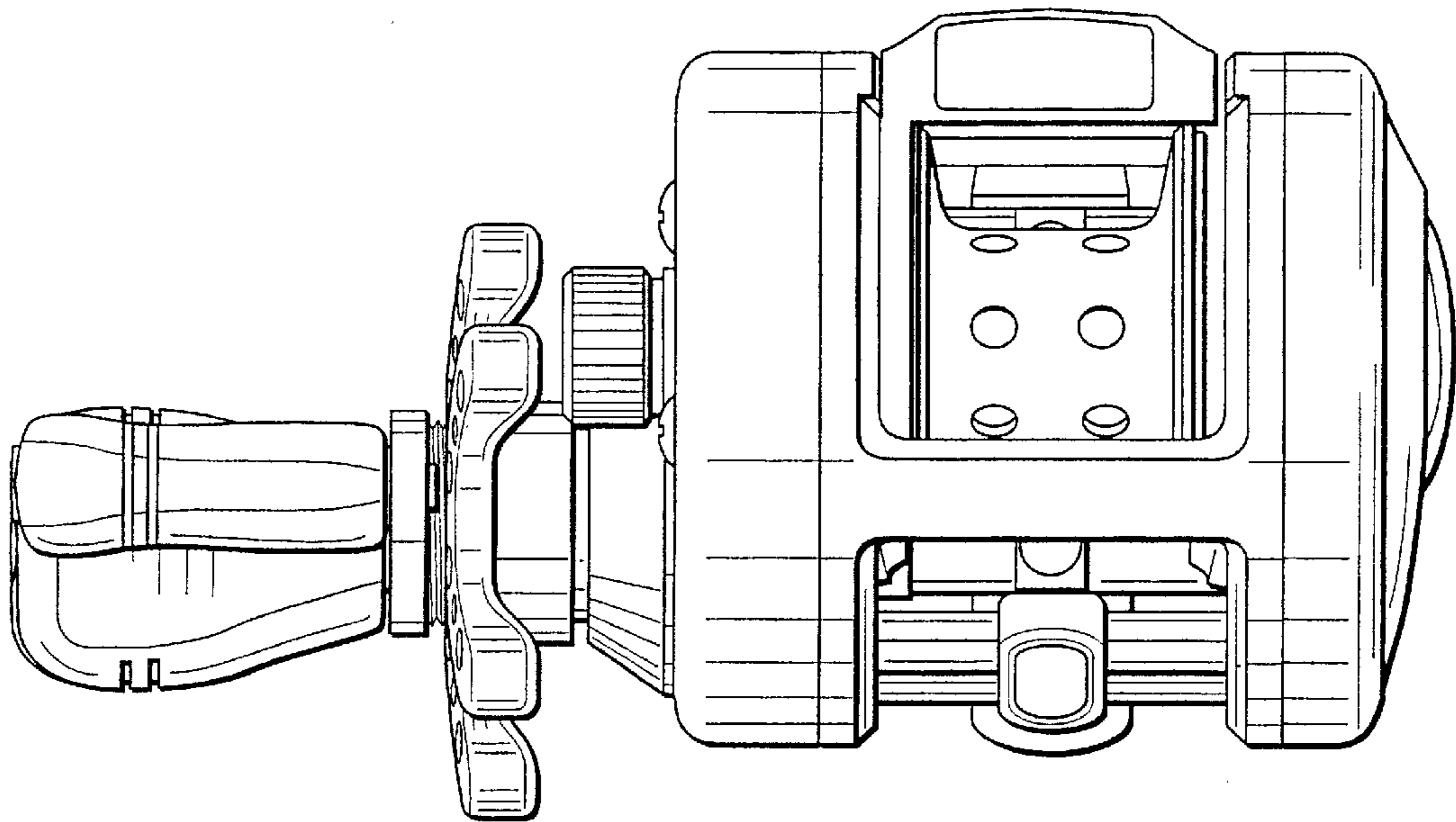


Fig. 5

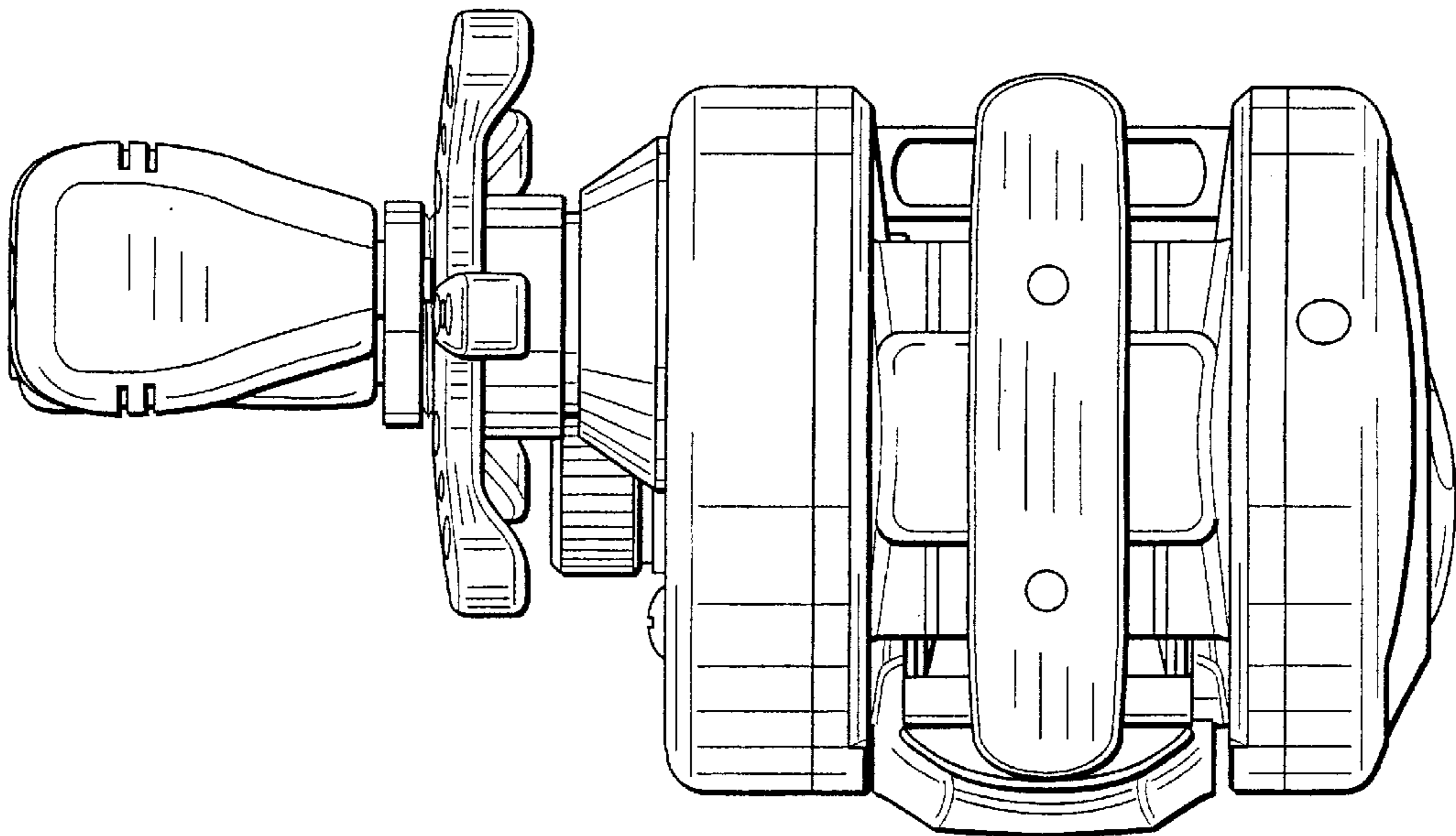


Fig. 6

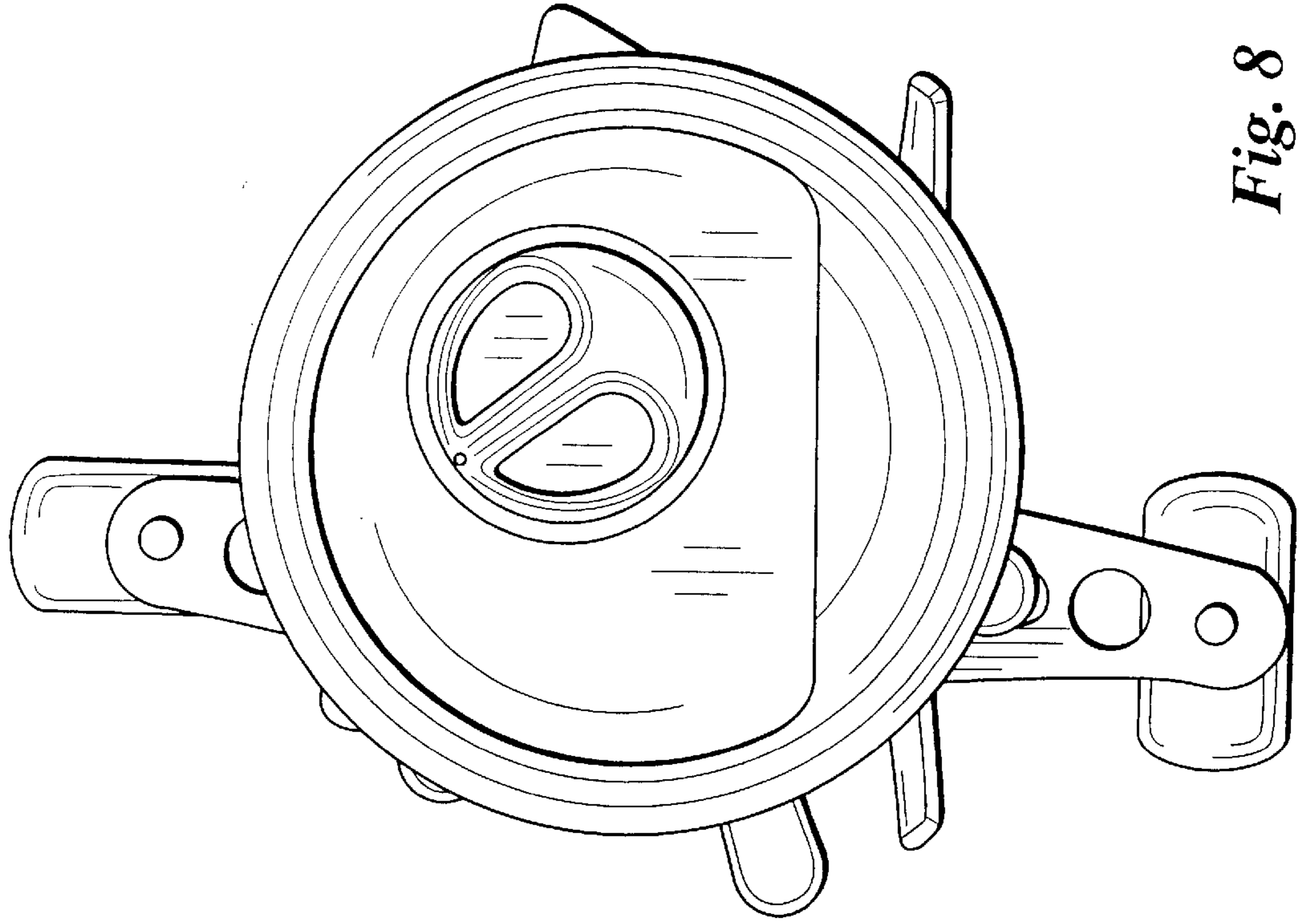


Fig. 8

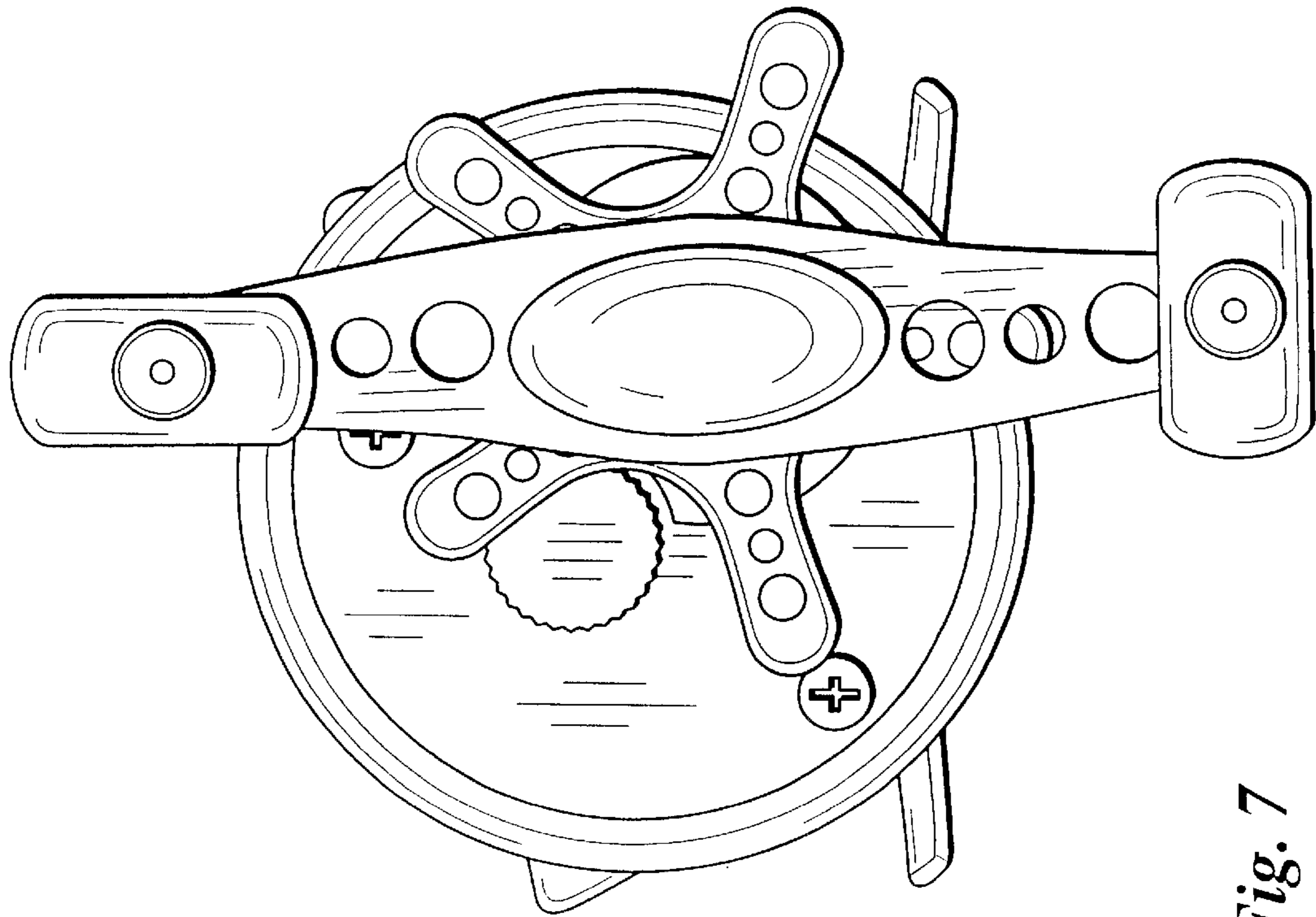


Fig. 7