



US00D420088S

United States Patent [19] Sheehan

[11] Patent Number: **Des. 420,088**

[45] Date of Patent: **** Feb. 1, 2000**

[54] **GUN SIGHT**

[76] Inventor: **Timothy J. Sheehan**, P.O. Box 20489,
Sedona, Ariz. 86341-0489

[**] Term: **14 Years**

[21] Appl. No.: **29/094,812**

[22] Filed: **Oct. 9, 1998**

Related U.S. Application Data

[63] Continuation-in-part of application No. 29/066,418, Feb. 14, 1997.

[51] **LOC (7) Cl.** **22-01**

[52] **U.S. Cl.** **D22/109; D16/130**

[58] **Field of Search** **D22/108, 109, D22/100; 33/233, 241, 245, 247, 265, 252; D16/130, 134, 136; 42/100, 101**

[56] **References Cited**

U.S. PATENT DOCUMENTS

D. 399,291	10/1998	Emerson	D22/109
D. 399,292	10/1998	Emerson	D22/109
D. 403,734	1/1999	Kay	D22/109
D. 404,788	1/1999	Gangl, Jr.	D22/109
846,217	3/1907	King, Jr.	.	
1,363,553	12/1920	Barringer	33/241
1,425,321	8/1922	Etherington	.	
2,488,836	12/1949	Sweetman	.	
2,645,017	2/1953	Hasse	.	

4,494,327	1/1985	Cullity	33/241
4,601,121	7/1986	Iolly	42/100
4,745,698	5/1988	Schwulst	.	
5,025,565	6/1991	Stenerson et al.	33/265
5,065,519	11/1991	Bindon	33/241

FOREIGN PATENT DOCUMENTS

11838	8/1915	United Kingdom	.
WO 98/36233	8/1998	WIPO	.

Primary Examiner—Paula A. Mortimer
Attorney, Agent, or Firm—Eric J. Sheets

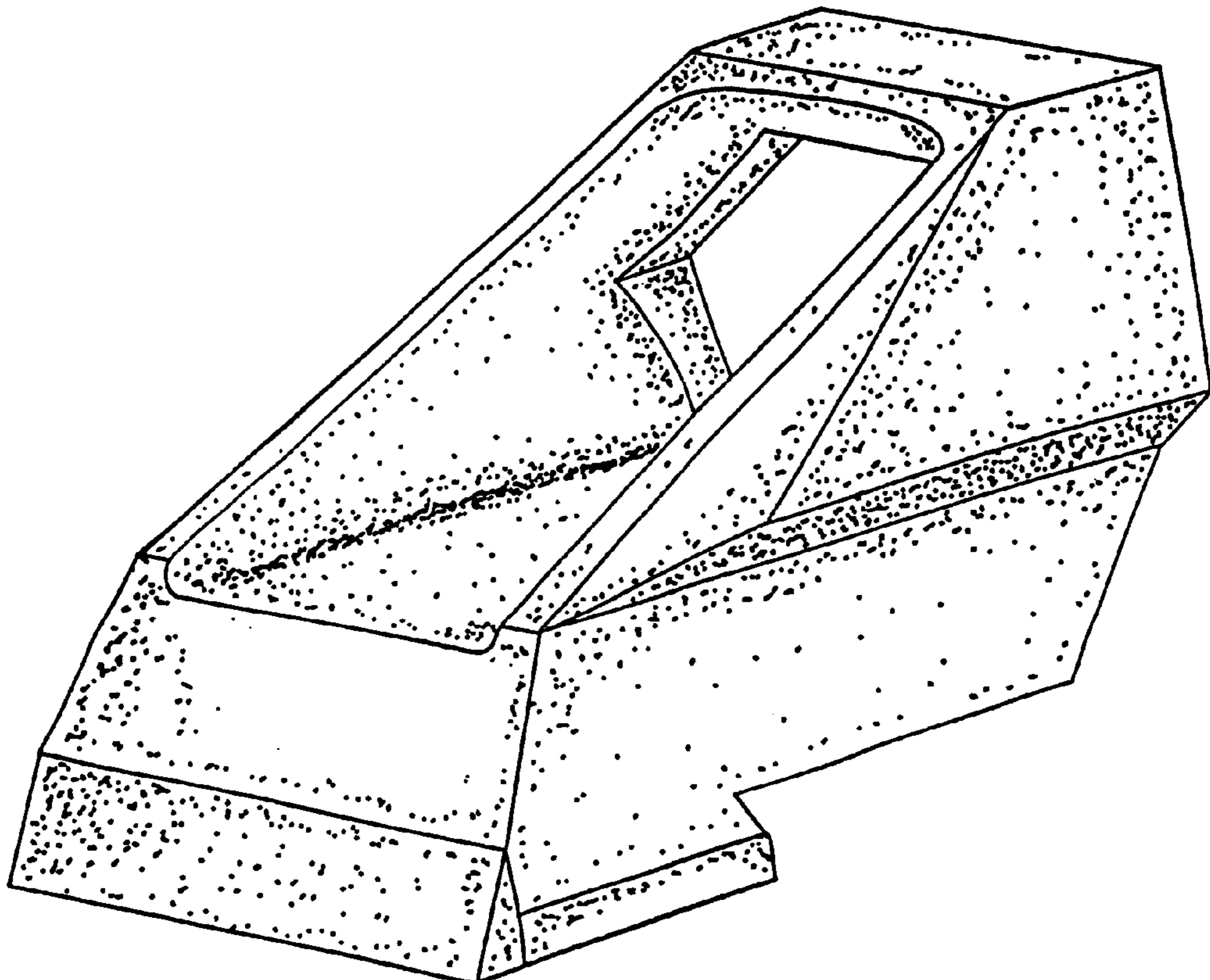
[57] **CLAIM**

The ornamental design for a gun sight, as shown and described.

DESCRIPTION

FIG. 1 is a perspective view of a gun sight as seen from the left rear portion, showing my new design; FIG. 2 is a perspective view of a gun sight as seen from the front left portion, showing my new design; FIG. 3 is a top elevational view thereof; FIG. 4 is a front view thereof; FIG. 5 is a side view thereof; FIG. 6 is a rear view thereof; FIG. 7 is a bottom view thereof; and, FIG. 8 is a perspective view thereof shown mounted on a firearm, the firearm shown in broken lines are for illustrative purposes only and form no part of the claimed design.

1 Claim, 3 Drawing Sheets



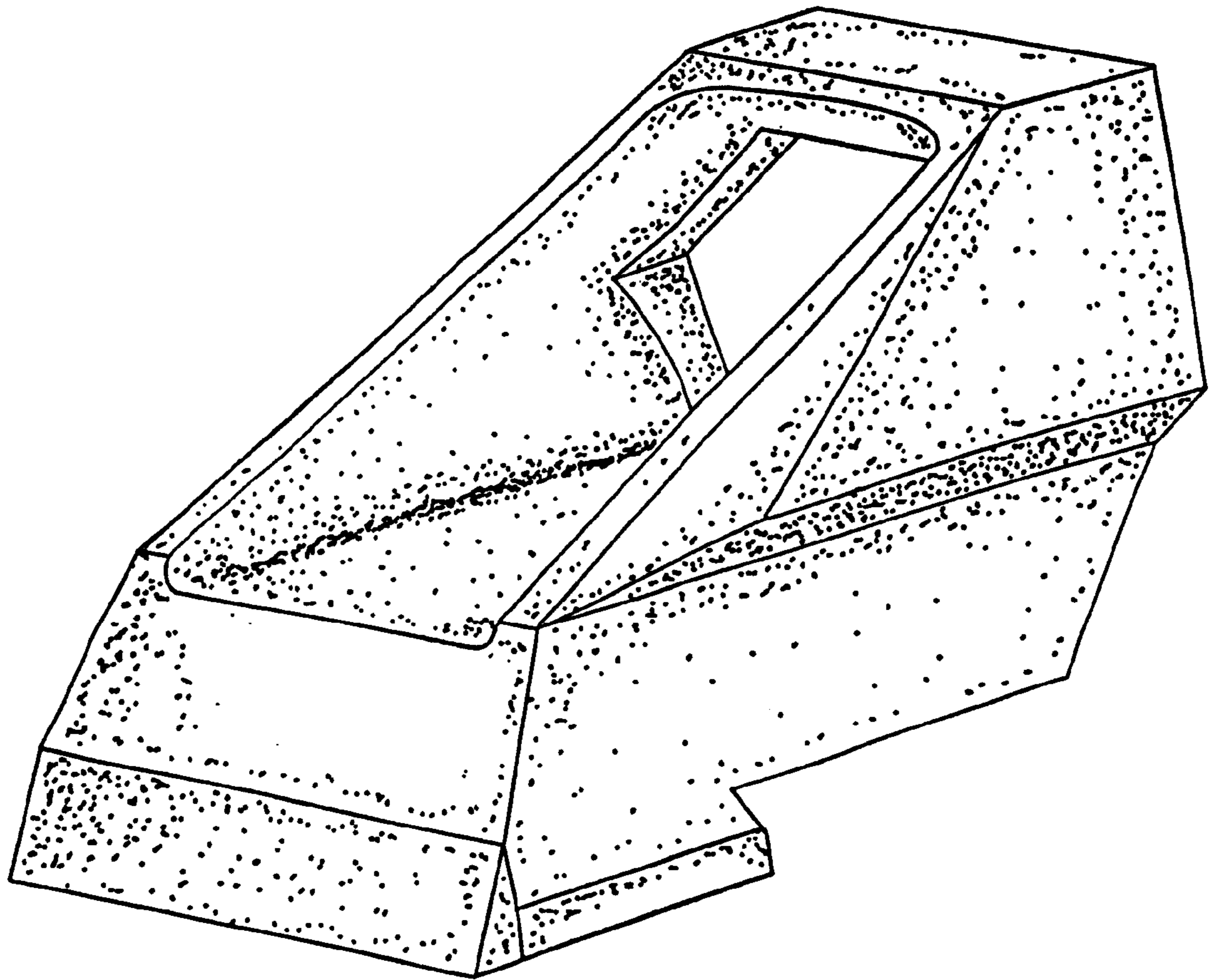


FIG.1

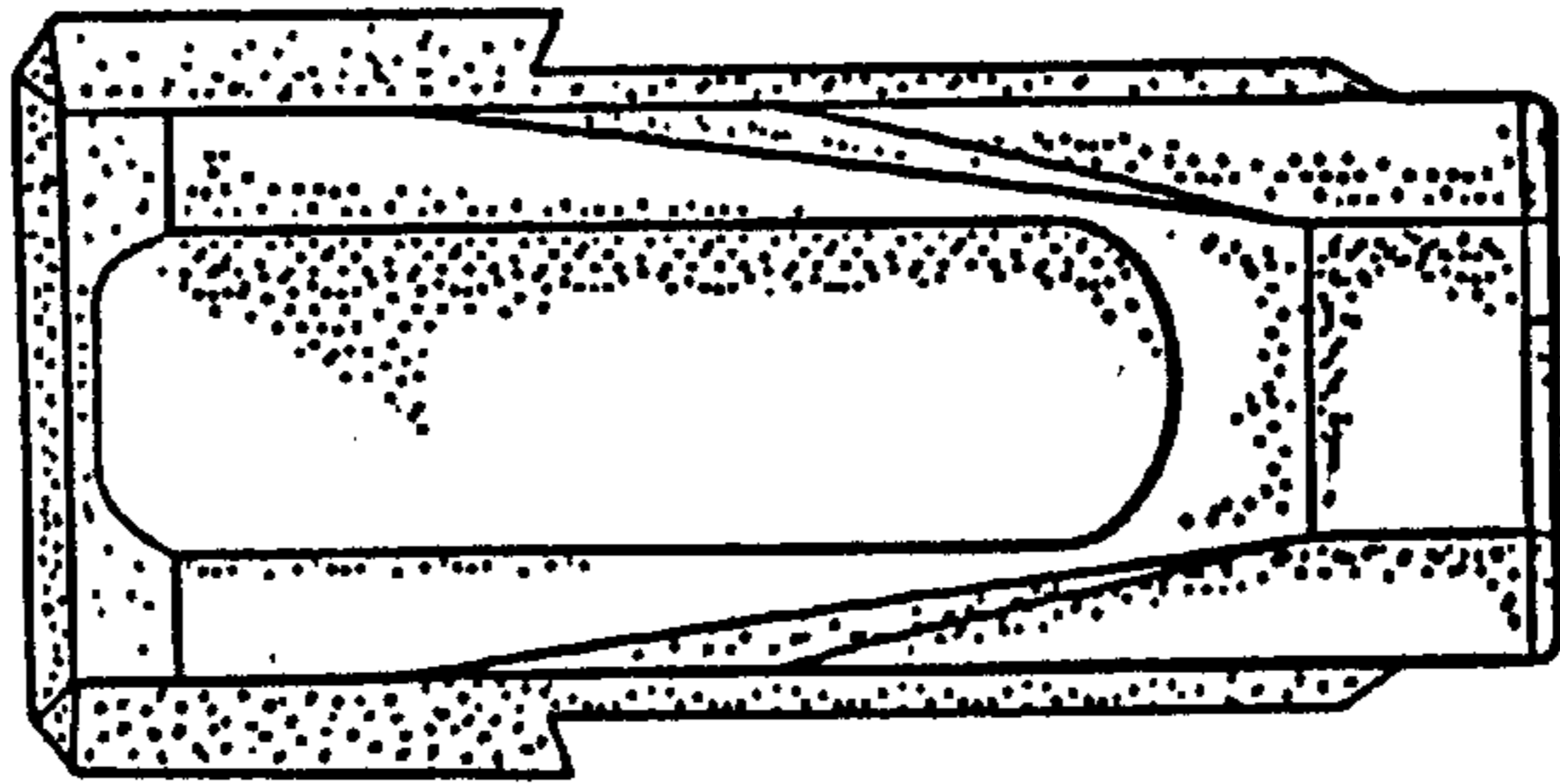


FIG. 2

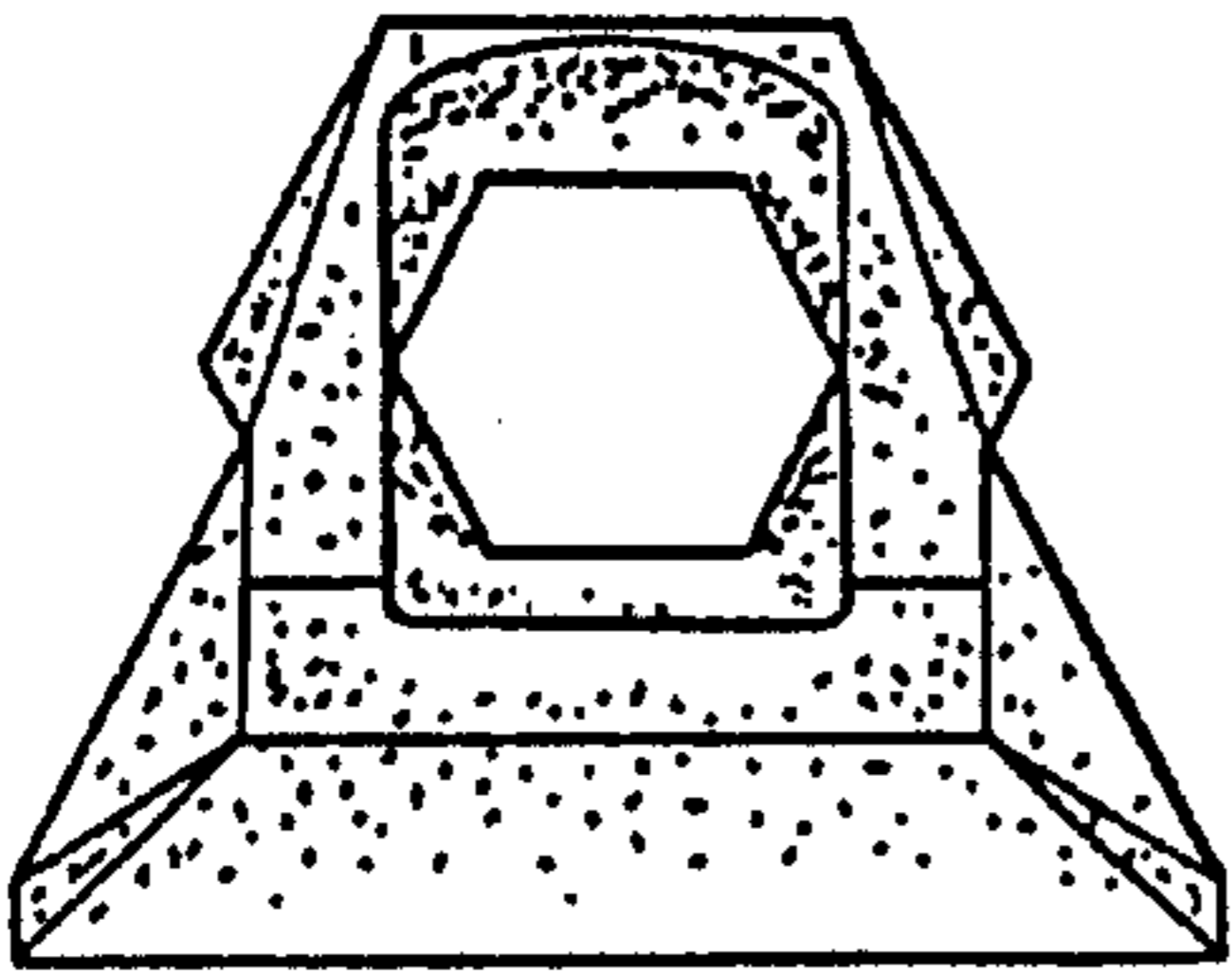


FIG. 3

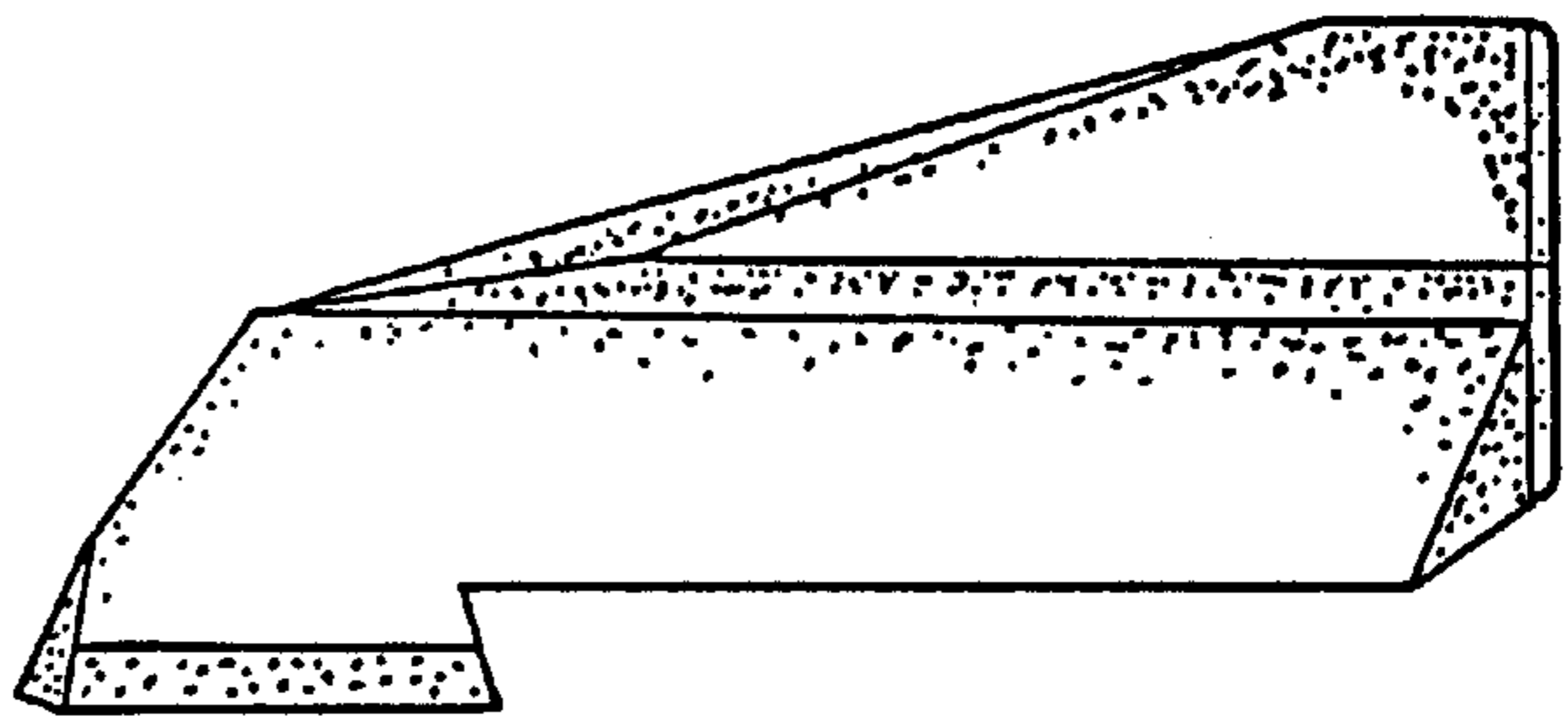


FIG. 4

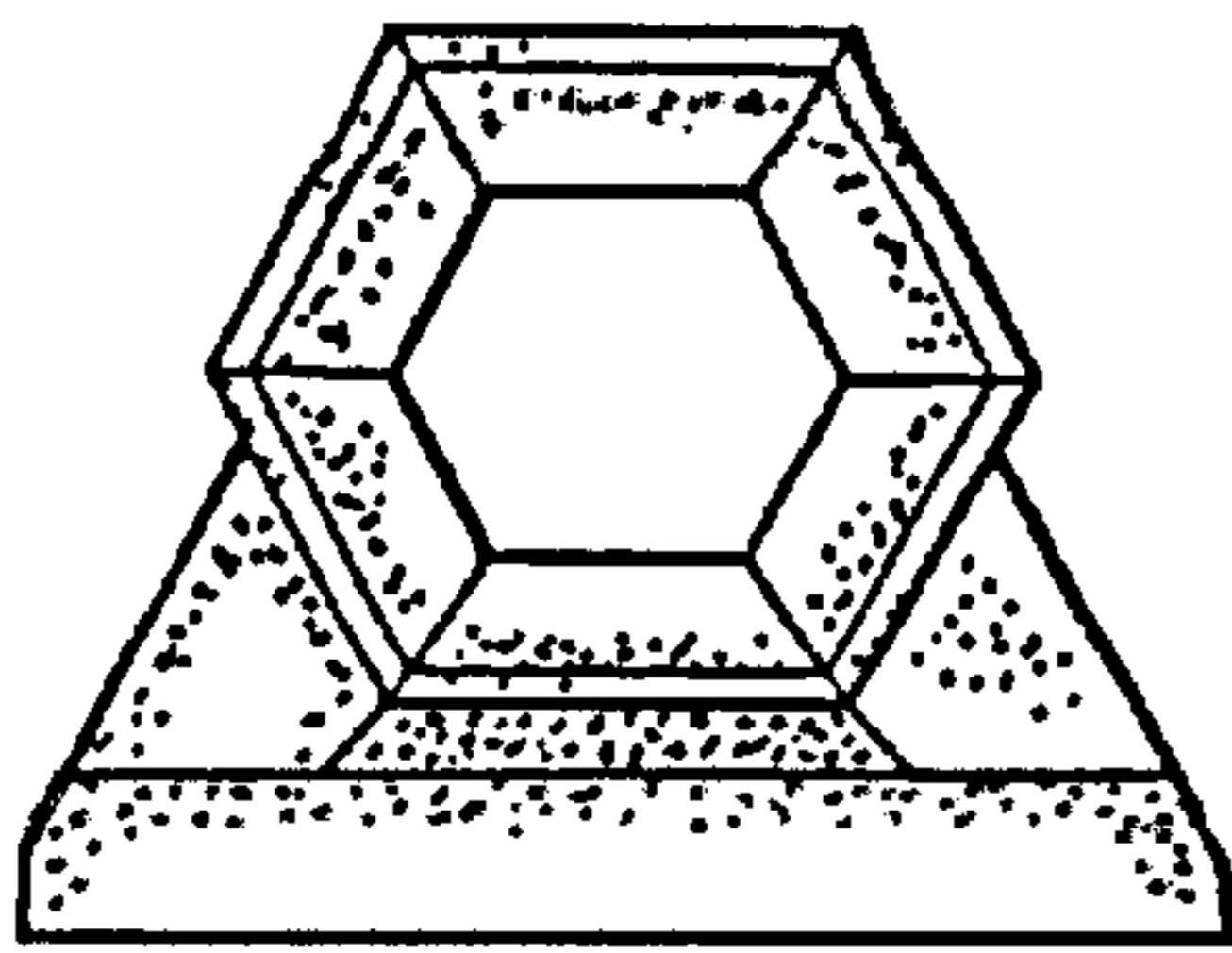


FIG. 5

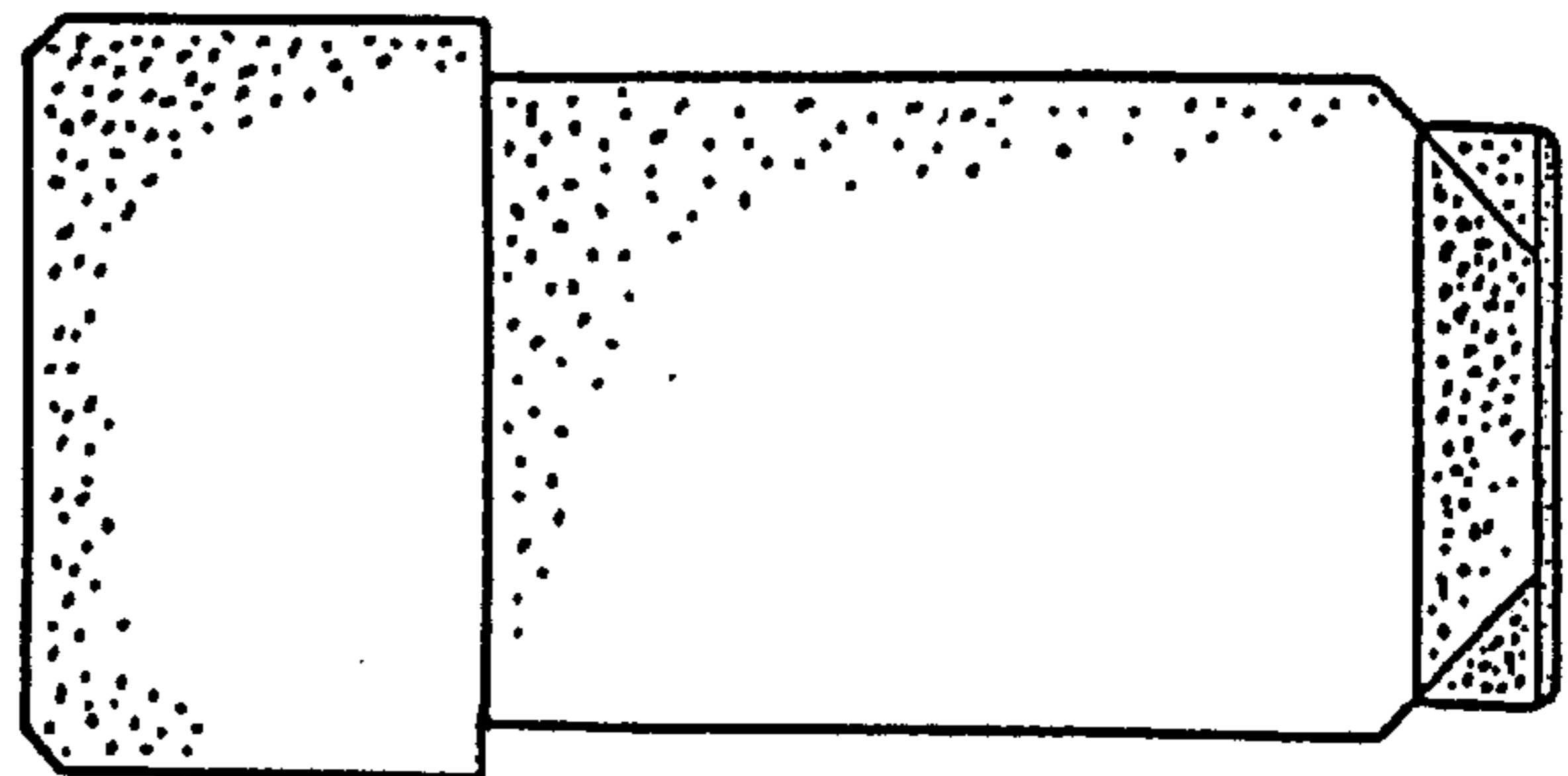


FIG. 6

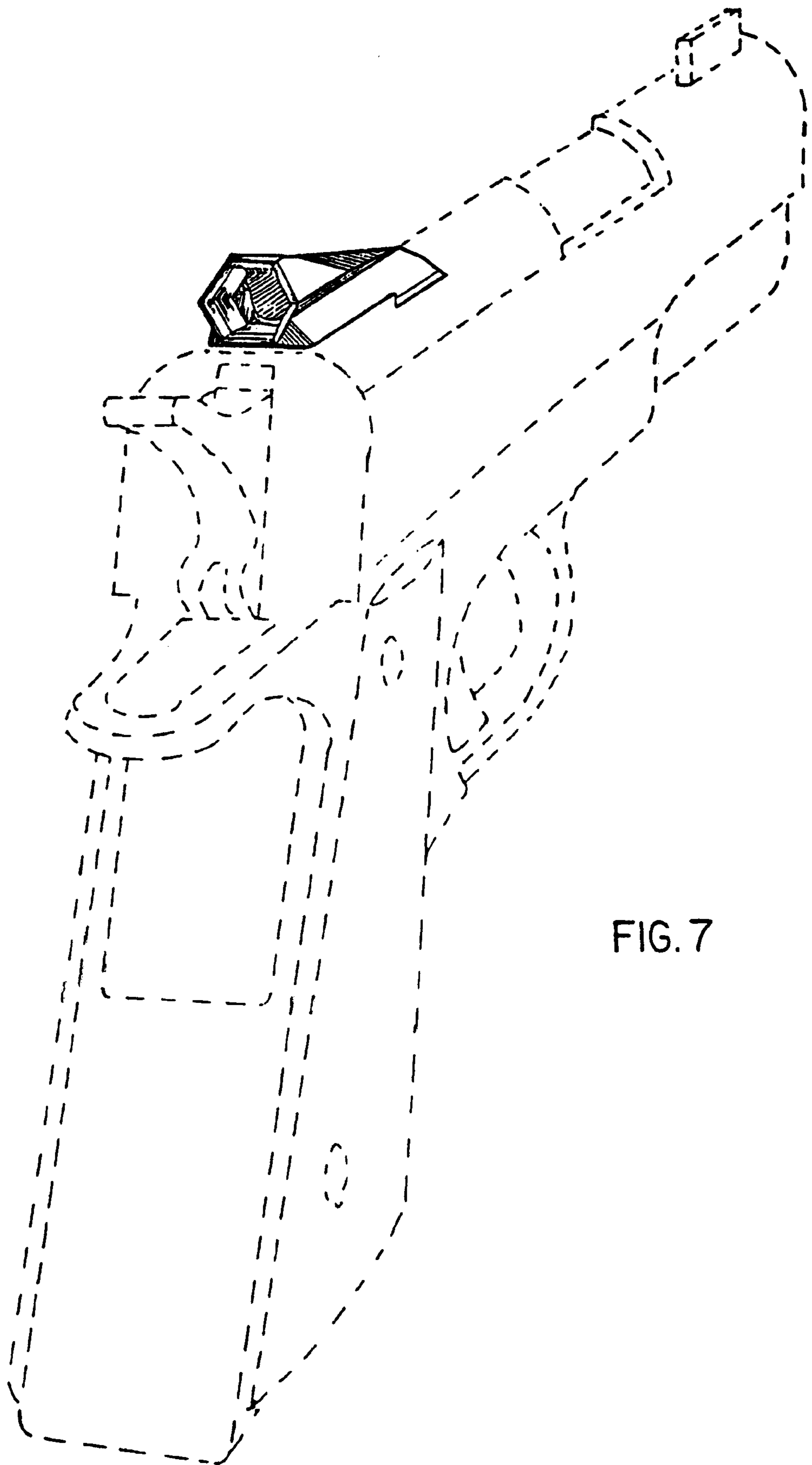


FIG. 7

UNITED STATES PATENT AND TRADEMARK OFFICE
CERTIFICATE OF CORRECTION

PATENT NO. : Des. 420,088

Page 1 of 2

DATED : February 1, 2000

INVENTOR(S) : Timothy J. Sheehan

It is certified that error appears in the above-identified patent and that said Letters Patent is hereby corrected as shown below:

Title page, in Description:

Delete the sentence "Figure 1 is a perspective view of an aperture sighting device, as seen from the left rear portion, showing my new design;"

Delete the sentence "Figure 2 is a perspective view of an aperture sighting device, as seen from the left front portion, showing my new design;" and insert "Figure 1 is a perspective view of a gun sight, as seen from the left front portion, showing my new design;" in its place.

Delete the sentence "Figure 3 is a top elevational view thereof;" and insert "Figure 2 is a top elevational view thereof;" in its place.

Delete the sentence "Figure 4 is a front view thereof;" and insert "Figure 3 is a front view thereof;" in its place.

Delete the sentence "Figure 5 is a side view thereof;" and insert "Figure 4 is a side view thereof;" in its place.

Delete the sentence "Figure 6 is a rear view thereof;" and insert "Figure 5 is a rear view thereof;" in its place.

Delete the sentence "Figure 7 is a bottom view thereof;" and insert "Figure 6 is a bottom view thereof;" in its place.

UNITED STATES PATENT AND TRADEMARK OFFICE
CERTIFICATE OF CORRECTION

PATENT NO. : Des. 420,088

Page 2 of 2

DATED : February 1, 2000

INVENTOR(S) : Timothy J. Sheehan

It is certified that error appears in the above-identified patent and that said Letters Patent is hereby corrected as shown below:

Delete the sentence "Figure 8 is a perspective view thereof shown mounted on a firearm, the firearm shown in broken lines are for illustrative purposes only and form no part of the claimed design." and insert "Figure 7 is a perspective view thereof shown mounted on a firearm, the firearm shown in broken lines is for illustrative purposes only and forms no part of the claimed design." in its place.

Signed and Sealed this
Nineteenth Day of December, 2000

Attest:



Q. TODD DICKINSON

Attesting Officer

Commissioner of Patents and Trademarks