



US00D420085S

United States Patent [19]

[11] **Patent Number: Des. 420,085**

Bernatz

[45] **Date of Patent: ** Feb. 1, 2000**

[54] **DISTANCE MARKER FOR GOLF COURSE**

*Primary Examiner—Mitchell Siegel
Attorney, Agent, or Firm—Willie Krawitz*

[76] Inventor: **Thomas H. Bernatz**, 2914 E. Katella Ave., Orange, Calif. 92867

[57] **CLAIM**

[**] Term: **14 Years**

The ornamental design for a distance marker for golf course, as shown and described.

[21] Appl. No.: **29/099,686**

DESCRIPTION

[22] Filed: **Jan. 27, 1999**

FIG. 1 is a perspective view of a distance marker for golf course, showing my design;

[51] **LOC (7) Cl. 21-02**

FIG. 2 is a top plan thereof;

[52] **U.S. Cl. D21/794**

FIG. 3 is a front elevation view thereof;

[58] **Field of Search D21/789-795;
423/285, 406, 131**

FIG. 4 is a left side elevation view thereof;

FIG. 5 is a bottom plan view thereof;

[56] **References Cited**

U.S. PATENT DOCUMENTS

- D. 266,445 10/1982 Yokotaki D21/718
- D. 376,635 12/1996 Lee D21/791
- D. 384,386 9/1997 Eakins D21/794
- D. 385,937 11/1997 Lee D21/791

FIG. 6 is a rear elevation view thereof; and,

FIG. 7 is a right side elevation view thereof.

The broken line showing of yardage is for illustrative purposes only and forms no part of the claimed design.

1 Claim, 2 Drawing Sheets

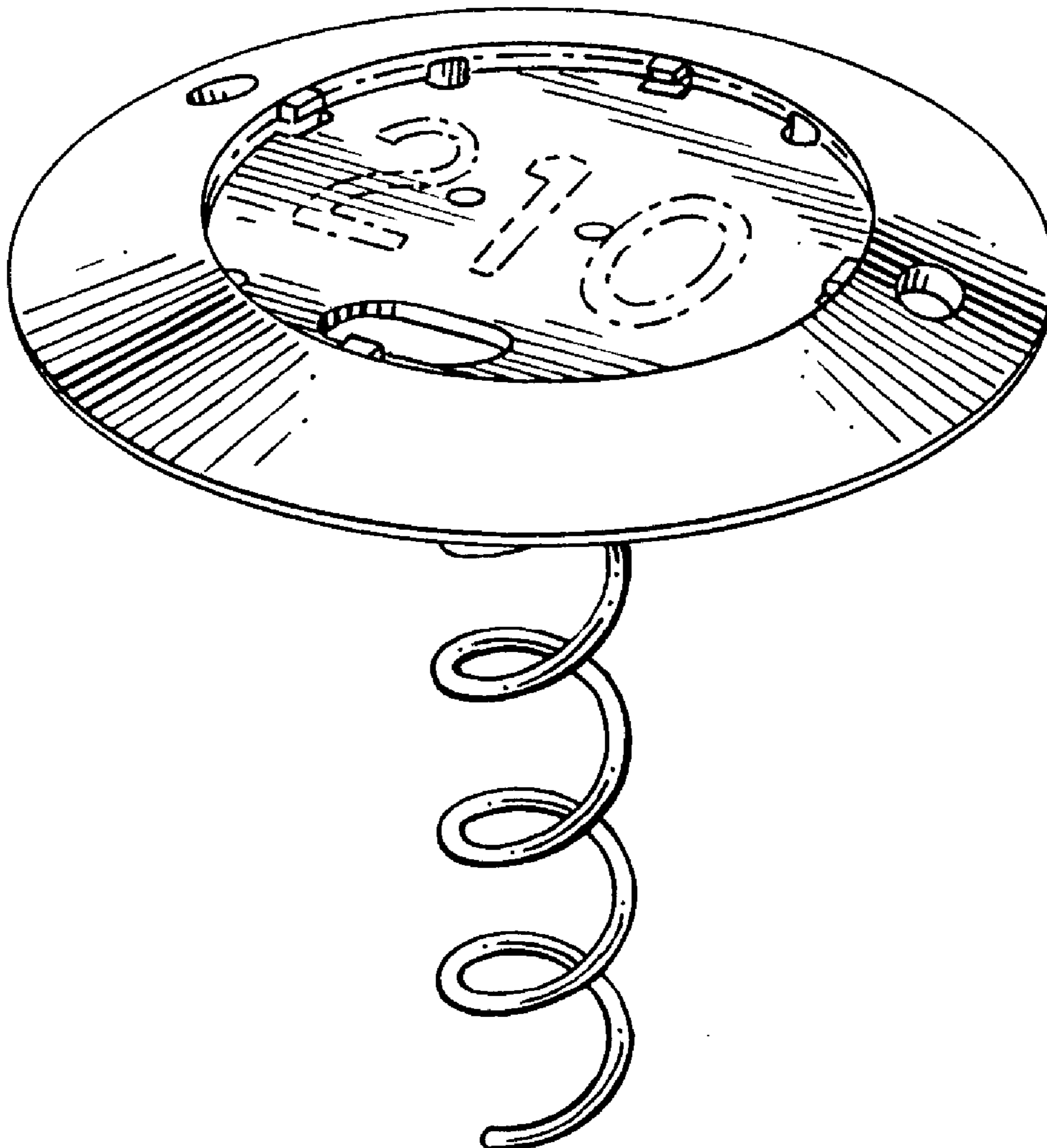


FIG. 1

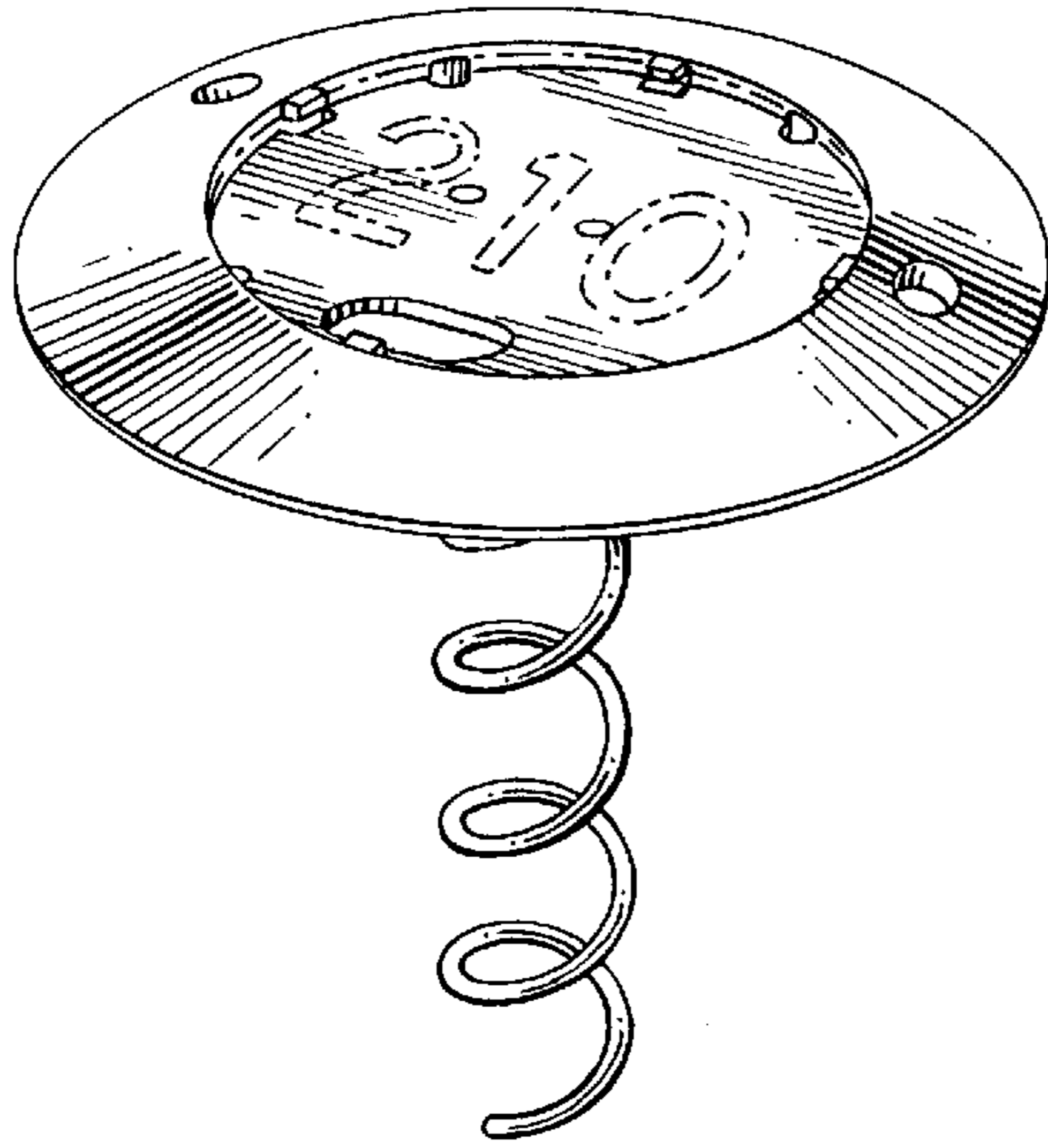


FIG. 2

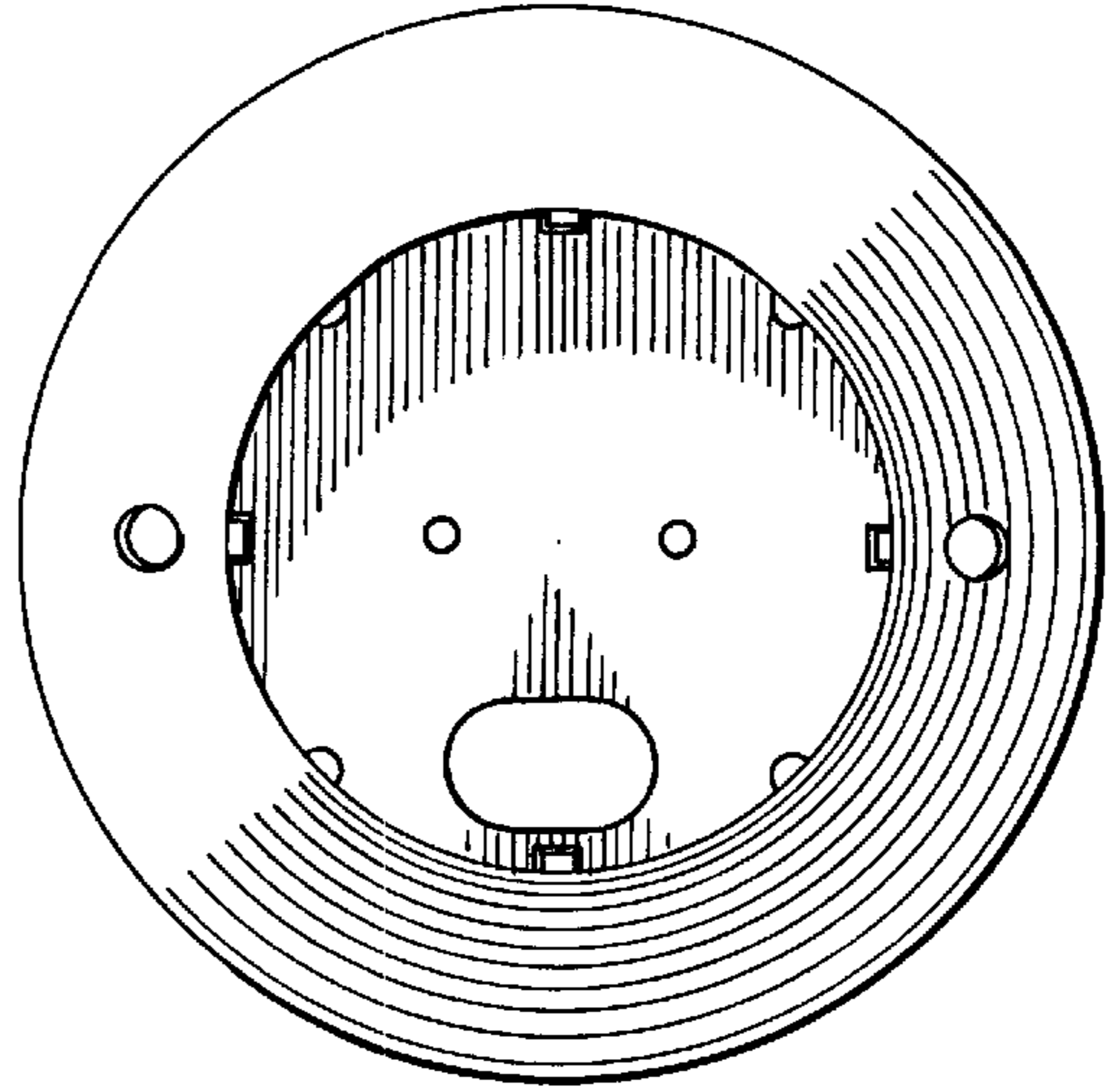


FIG. 3

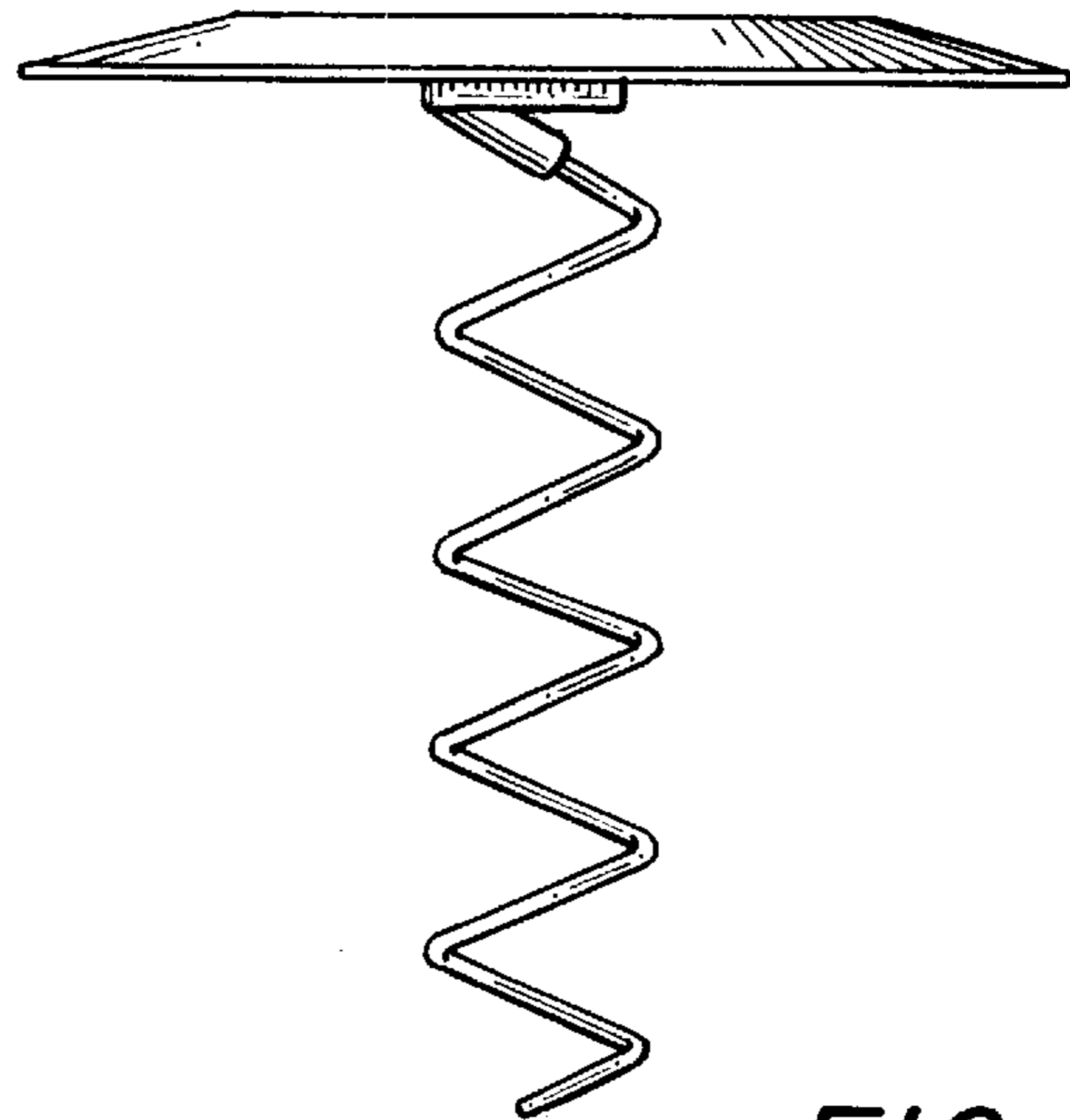


FIG. 4

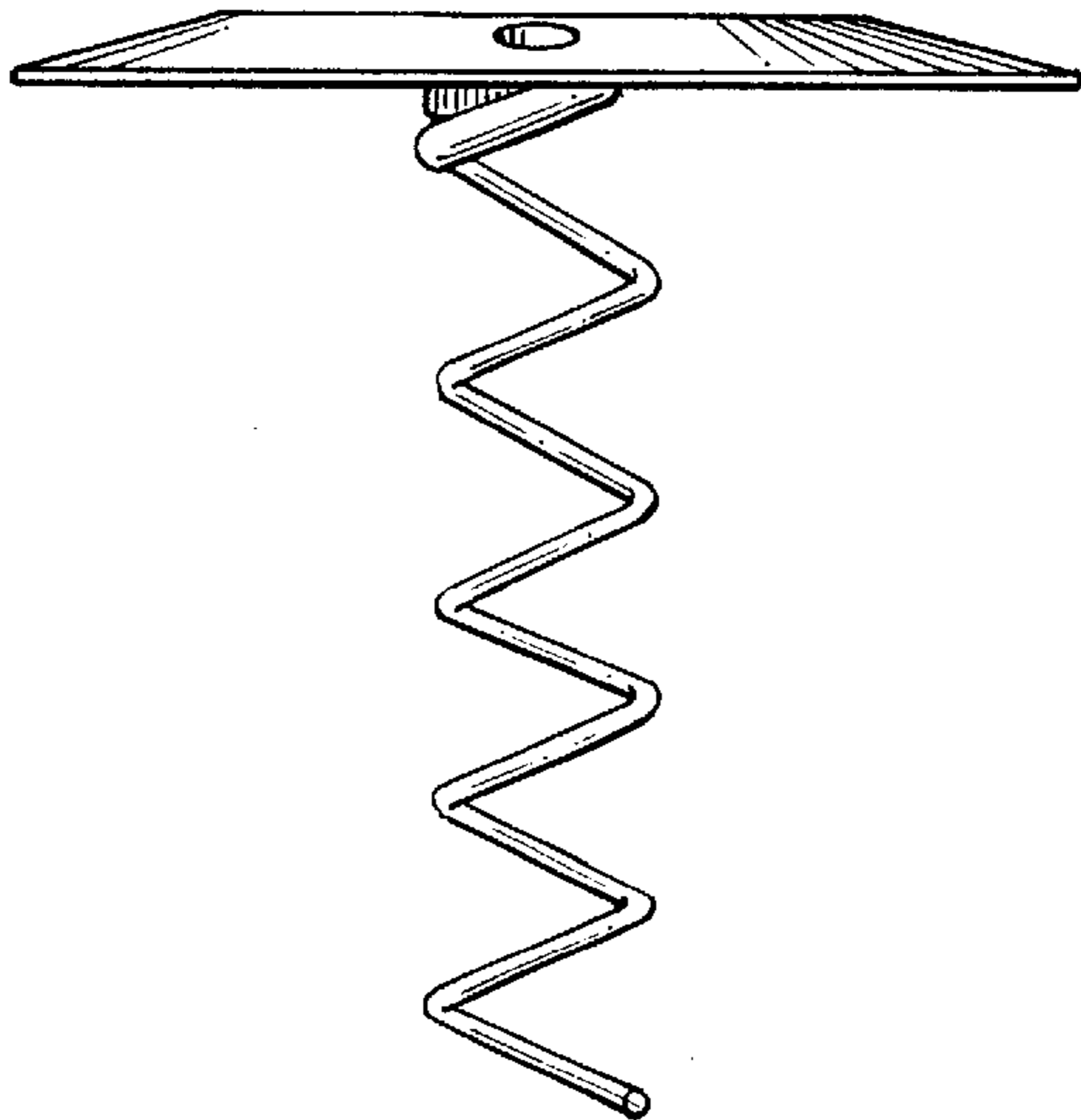


FIG. 5

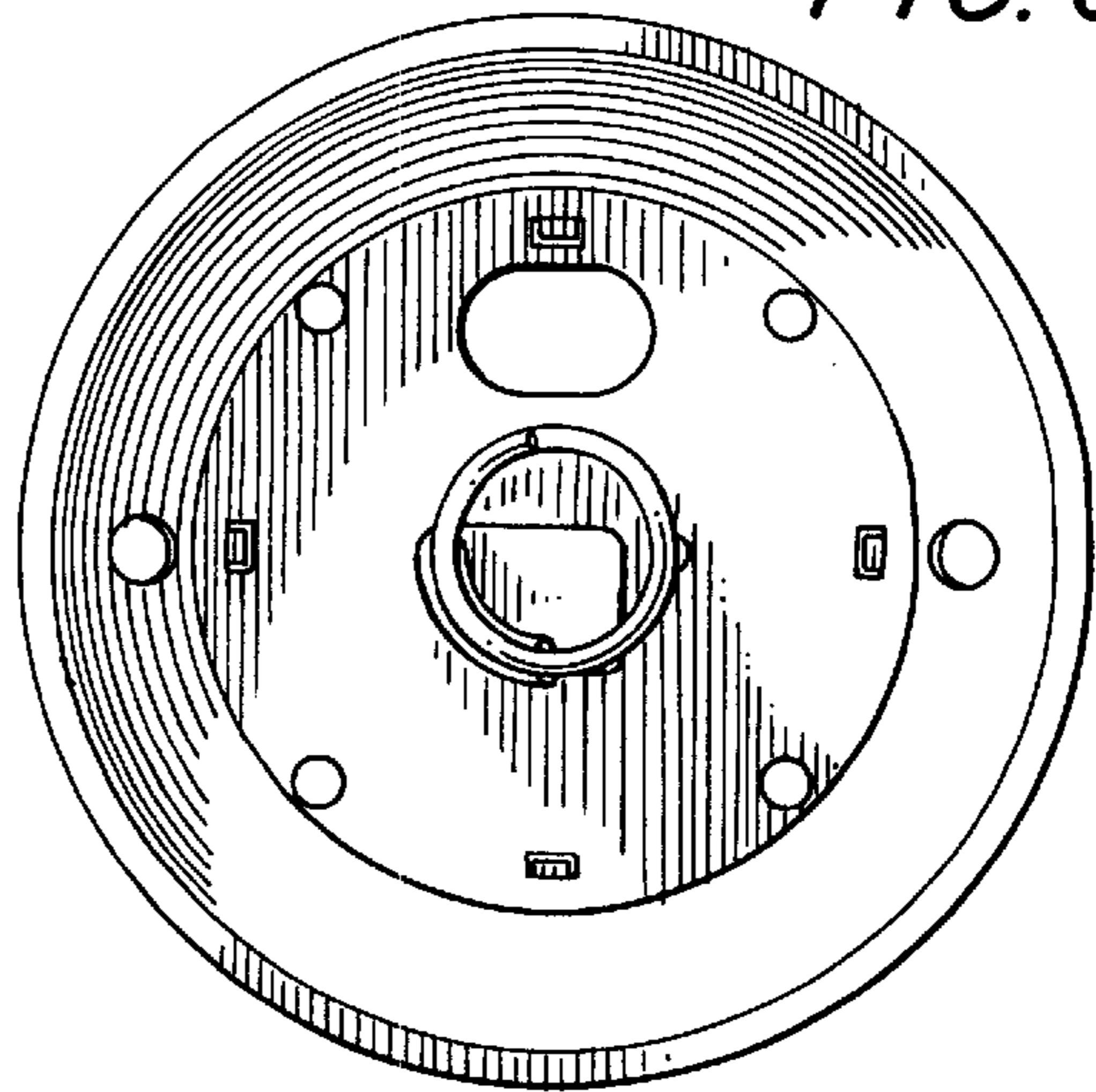


FIG. 6

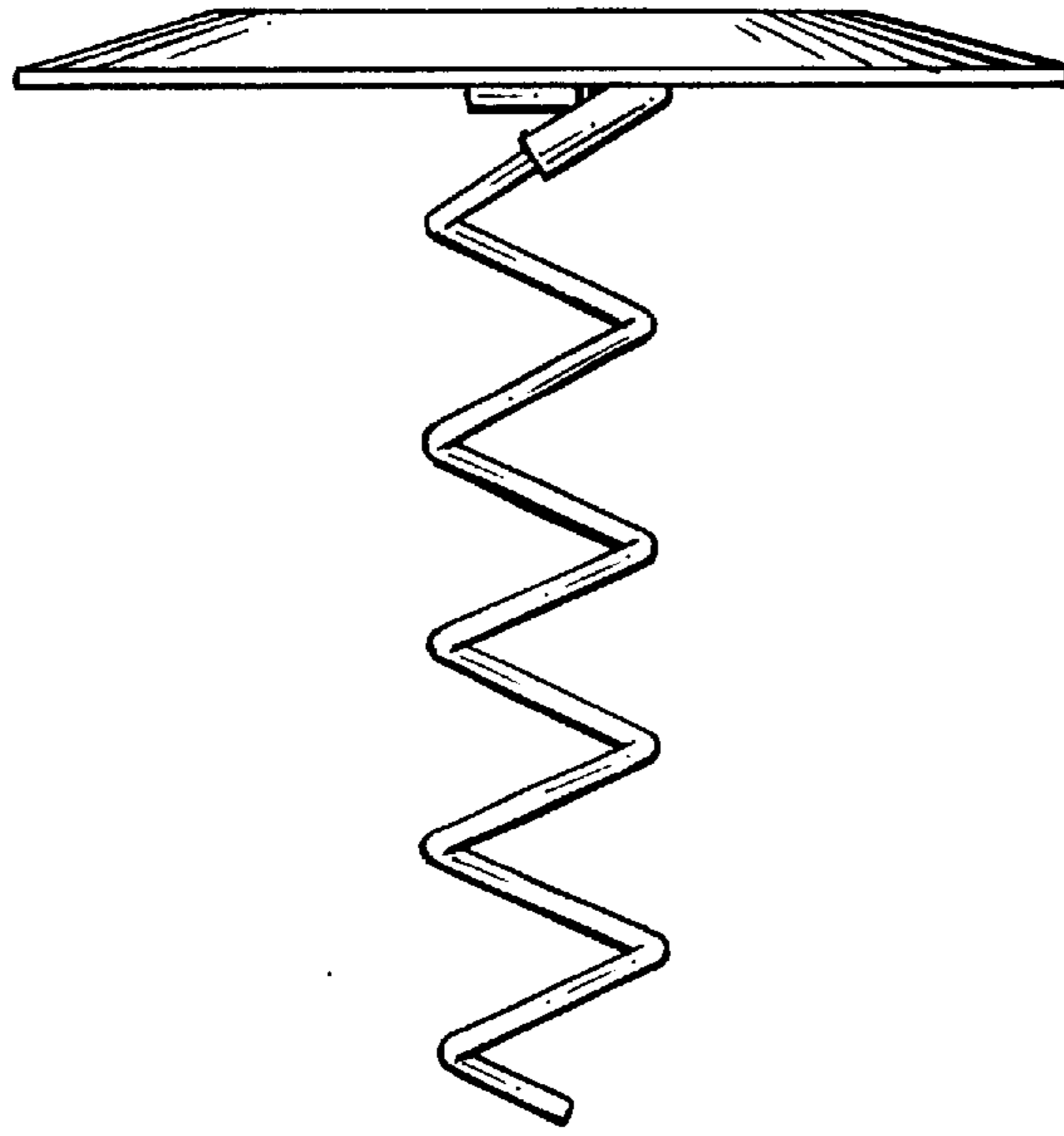


FIG. 7

