



US00D420084S

United States Patent [19] Hooper

[11] Patent Number: Des. 420,084

[45] Date of Patent: ** Feb. 1, 2000

[54] **GOLF MAT FRAME AND TRAY**

[75] Inventor: **Michael Hooper**, Chestermere, Canada

[73] Assignee: **766089 Alberta Ltd.**, Calgary, Canada

[**] Term: **14 Years**

[21] Appl. No.: **29/099,917**

[22] Filed: **Jan. 29, 1999**

[30] **Foreign Application Priority Data**

Jul. 31, 1998 [CA] Canada 1998-1832

[51] **LOC (7) Cl.** **21-02**

[52] **U.S. Cl.** **D21/792**

[58] **Field of Search** D21/789-795;
473/150, 157, 278

[56] **References Cited**

U.S. PATENT DOCUMENTS

D. 187,460 3/1960 Wetherby D21/795

D. 312,117 11/1990 Duncan D21/792

D. 365,619 12/1995 Foster D21/792

Primary Examiner—Mitchell Siegel

Attorney, Agent, or Firm—Thomas E. Malyszko

[57] **CLAIM**

The ornamental design for a golf mat frame and tray, as shown and described.

DESCRIPTION

FIG. 1 is a top perspective view of a golf mat frame and tray according to my design;

FIG. 2 is a top perspective view showing the tray of FIG. 1 separated from the golf mat frame;

FIG. 3 is a top plan view of the golf mat frame and tray of FIG. 1;

FIG. 4 is a rear elevational view taken from the left of FIG. 3;

FIG. 5 is a front elevational view taken from the right of FIG. 3;

FIG. 6 is a side elevational view taken from the bottom of FIG. 3;

FIG. 7 is a top perspective view of a second embodiment of a golf mat frame and tray according to my design;

FIG. 8 is a top perspective view showing the tray of FIG. 7 separated from the golf mat frame;

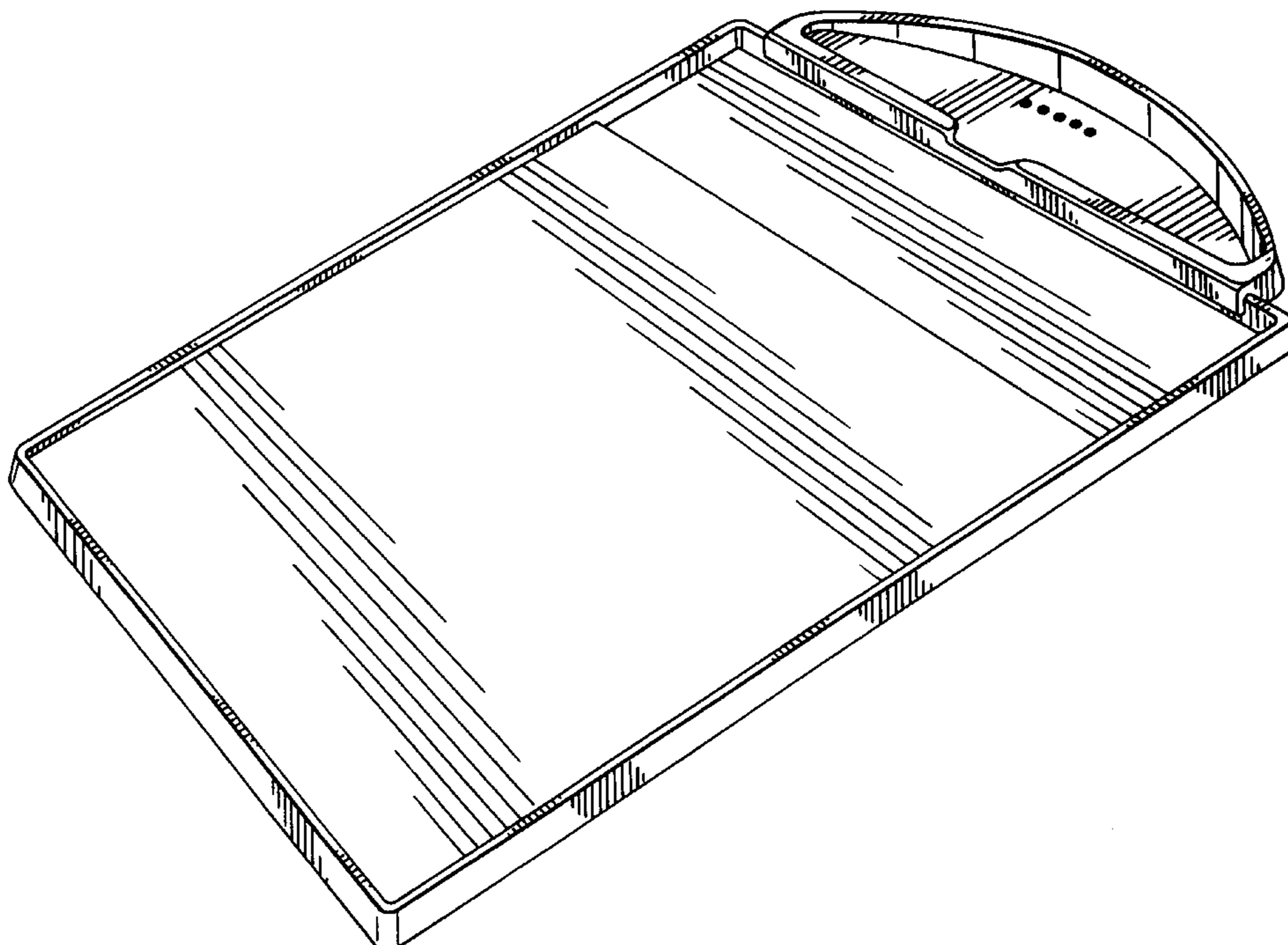
FIG. 9 is a top plan view of the golf mat frame and tray of FIG. 7;

FIG. 10 is a rear elevational view taken from the left of FIG. 9;

FIG. 11 is a front elevational view taken from the right of FIG. 9; and,

FIG. 12 is a side elevational view taken from the bottom of FIG. 9.

1 Claim, 6 Drawing Sheets



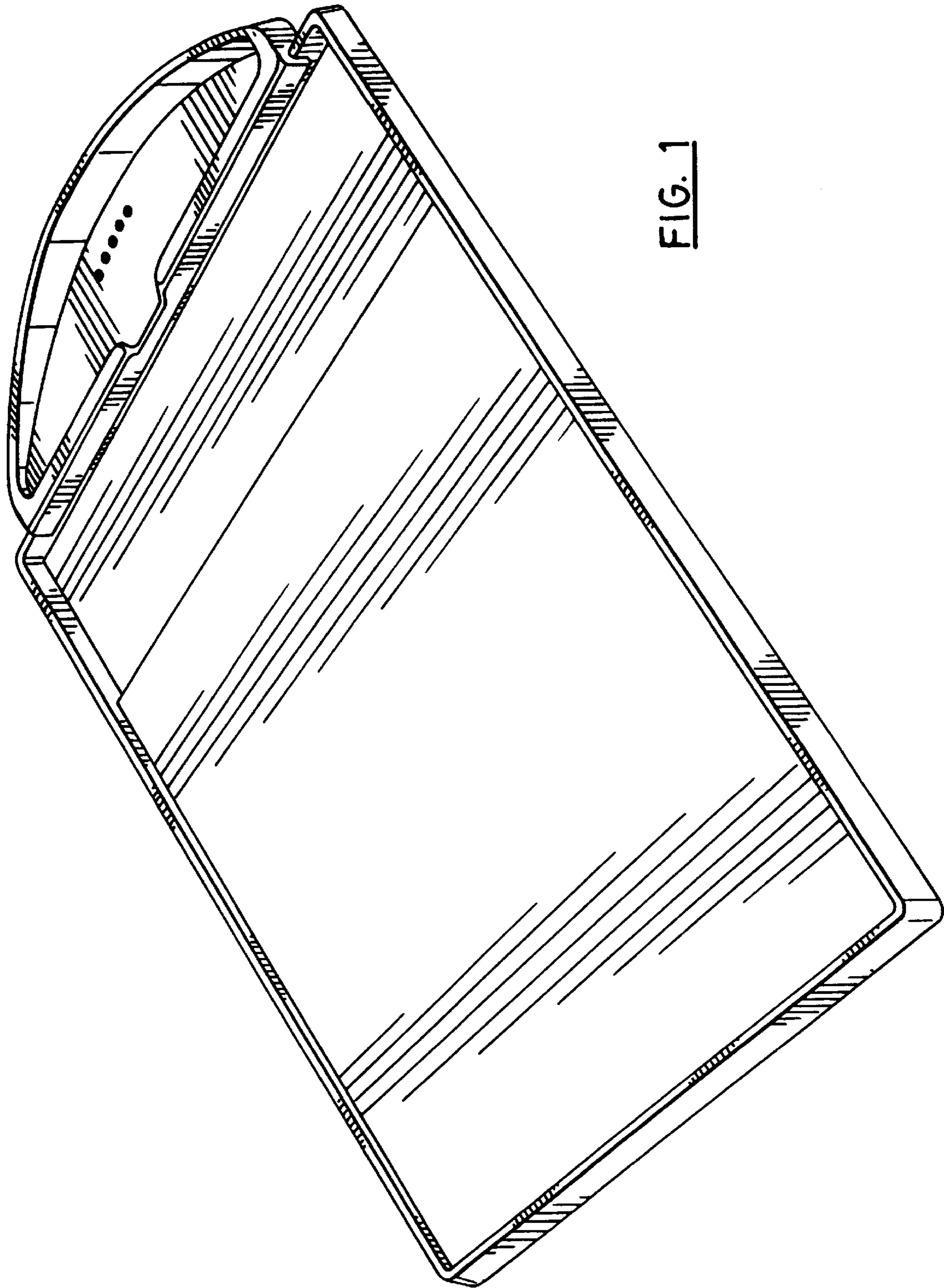


FIG. 1

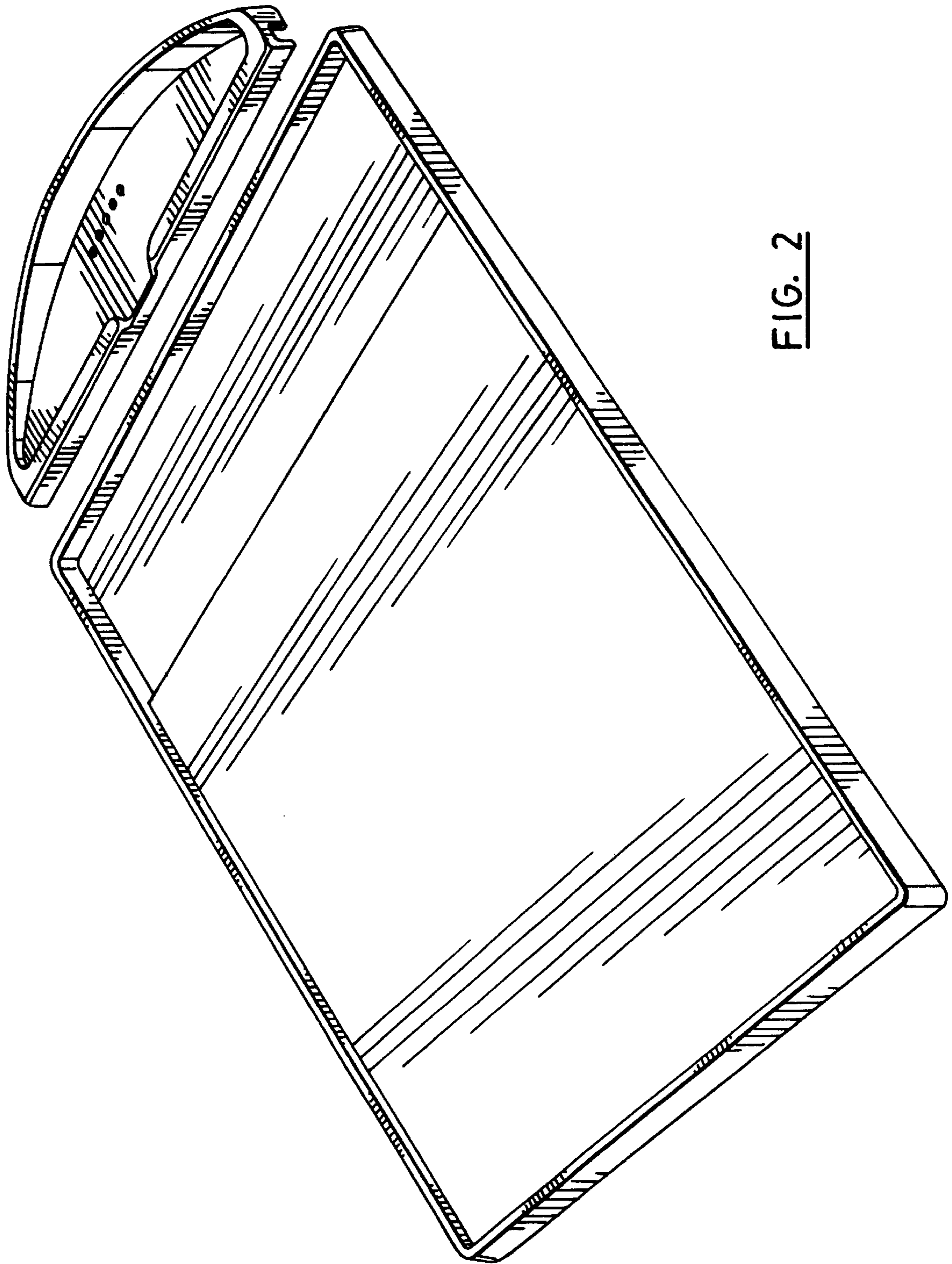


FIG. 2

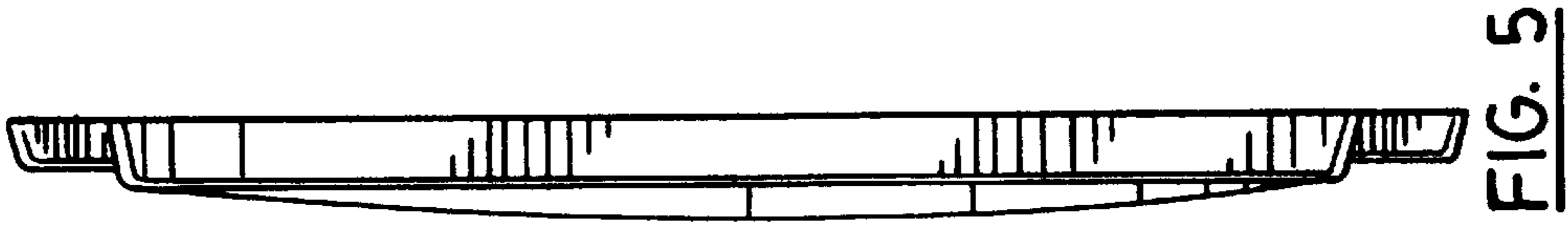


FIG. 5

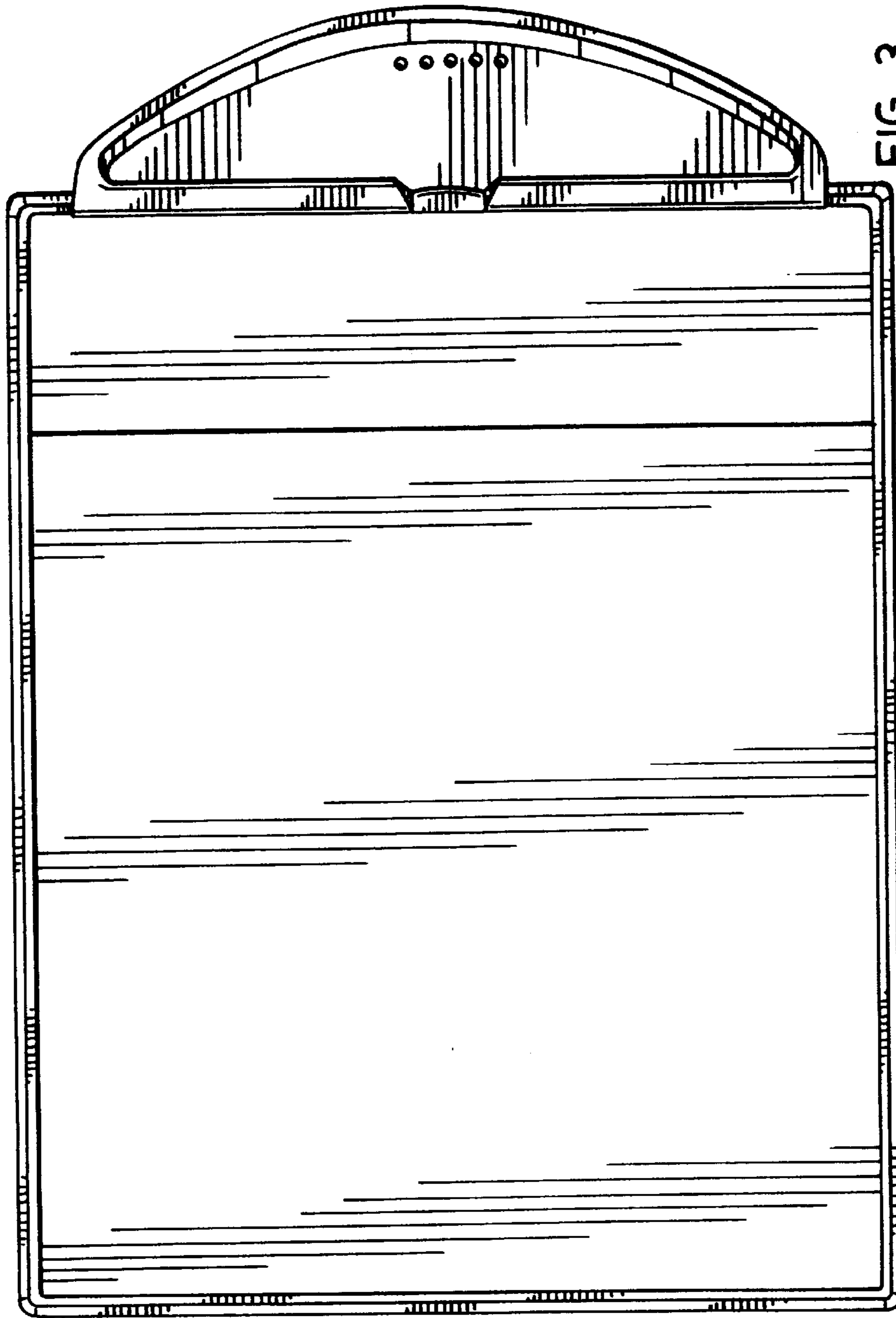


FIG. 3

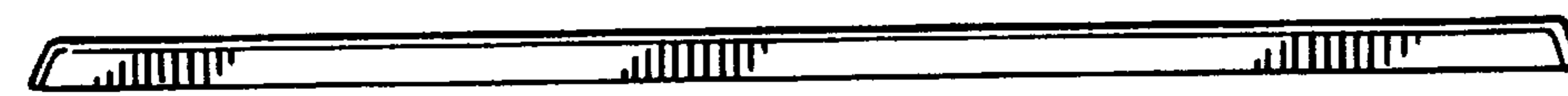


FIG. 4

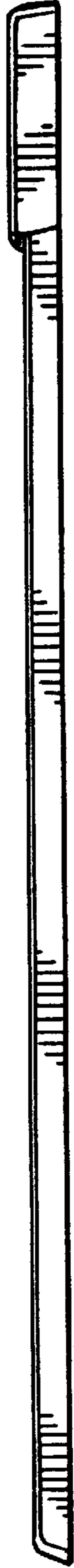


FIG. 6

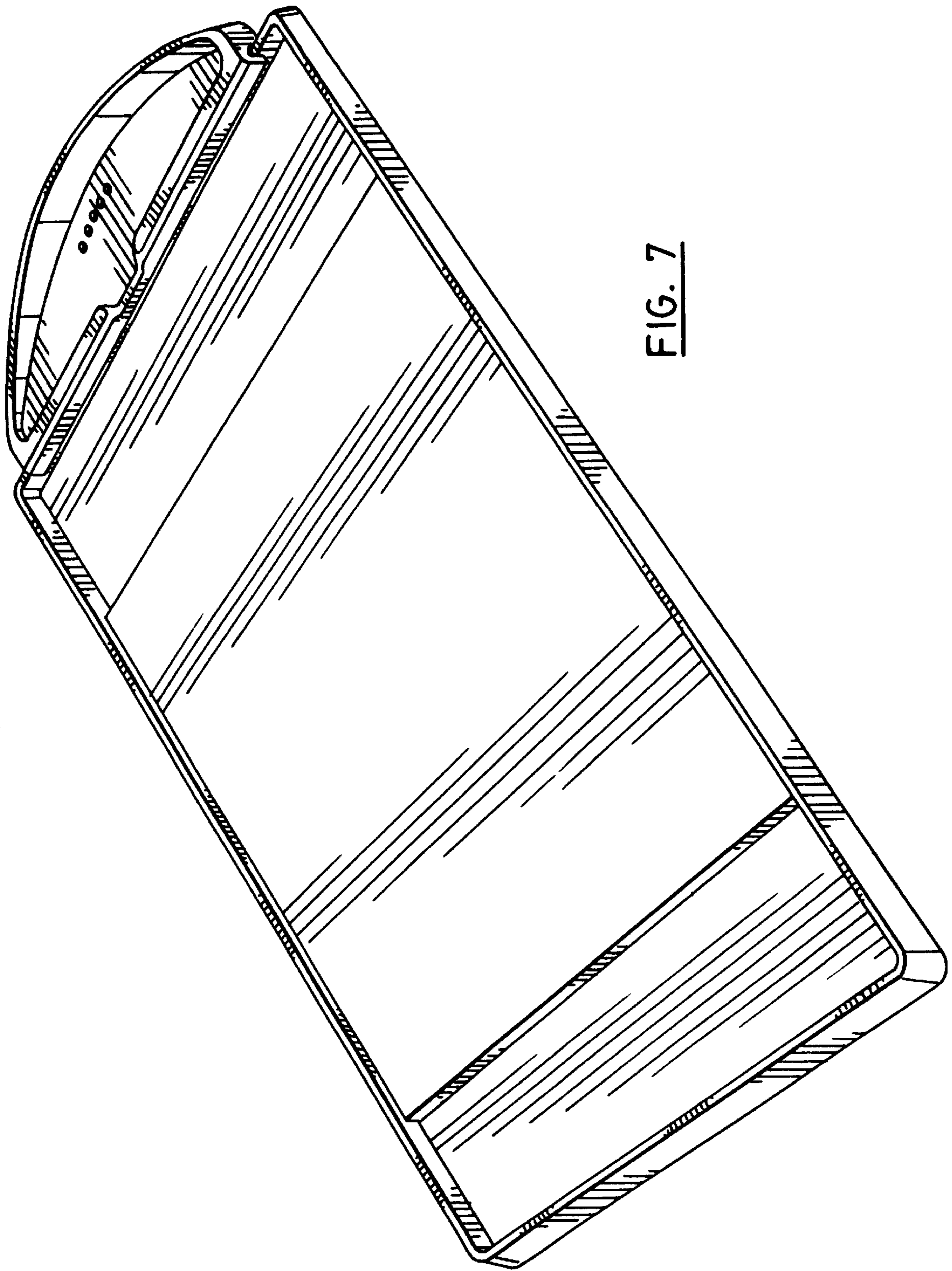


FIG. 7

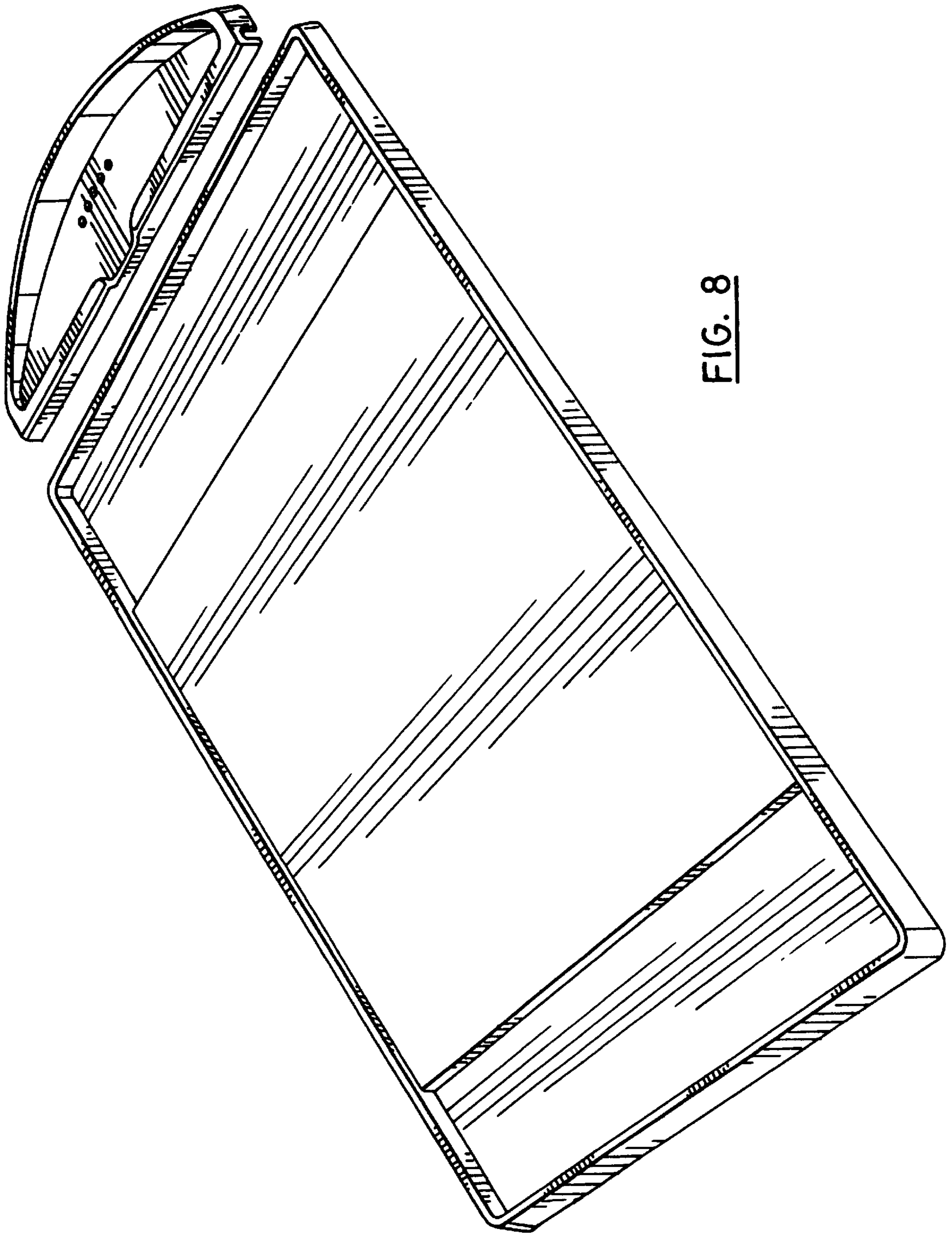


FIG. 8

