



US00D420071S

United States Patent [19] Tench

[11] Patent Number: **Des. 420,071**

[45] Date of Patent: **** Feb. 1, 2000**

[54] **EXERCISE CHAIR**

[76] Inventor: **Lee Tench**, 4401 Roswell Rd., Atlanta, Ga. 30342

[**] Term: **14 Years**

[21] Appl. No.: **29/099,846**

[22] Filed: **Jan. 29, 1999**

[51] **LOC (7) Cl.** **21-02**

[52] **U.S. Cl.** **D21/690; D21/691**

[58] **Field of Search** D21/662, 686, D21/690, 691; 482/142, 134, 104, 148, 92; D6/334; D24/183

[56] **References Cited**

U.S. PATENT DOCUMENTS

- D. 269,701 7/1983 Miller D24/183
- D. 339,835 9/1993 Hsieh D21/691

- 4,382,596 5/1983 Silberman 482/142
- 4,468,025 8/1984 Sferle 482/142
- 5,387,171 2/1995 Casey et al. 482/130
- 5,868,649 2/1999 Erickson et al. 482/111

Primary Examiner—Philip S. Hyder
Attorney, Agent, or Firm—Jones & Askew

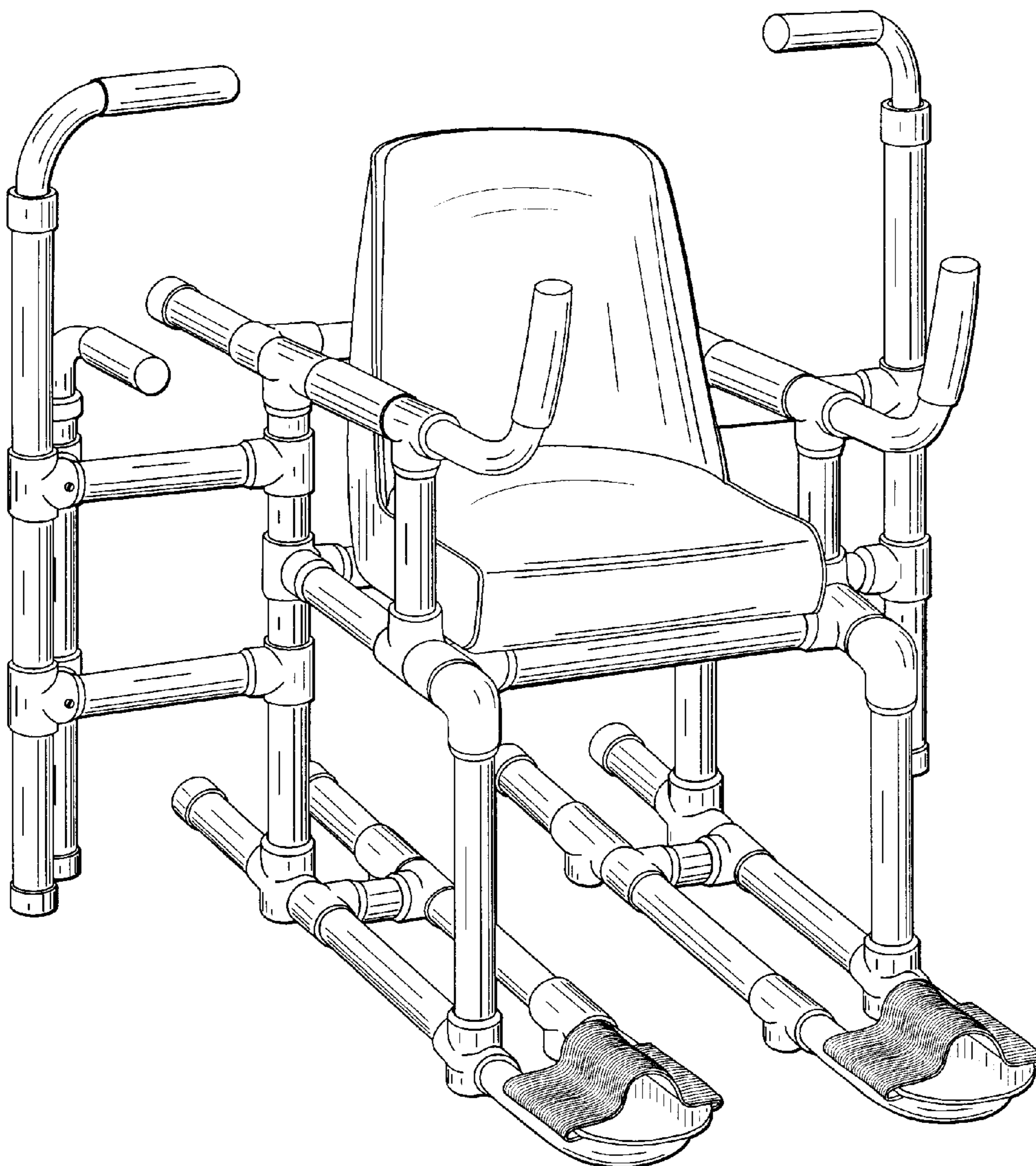
[57] **CLAIM**

The ornamental design for an exercise chair, as shown.

DESCRIPTION

FIG. 1 is a perspective view;
FIG. 2 is a front view thereof;
FIG. 3 is a back view thereof;
FIG. 4 is a right side view thereof;
FIG. 5 is a left side view thereof;
FIG. 6 is a top view thereof; and
FIG. 7 is a bottom view thereof.

1 Claim, 4 Drawing Sheets



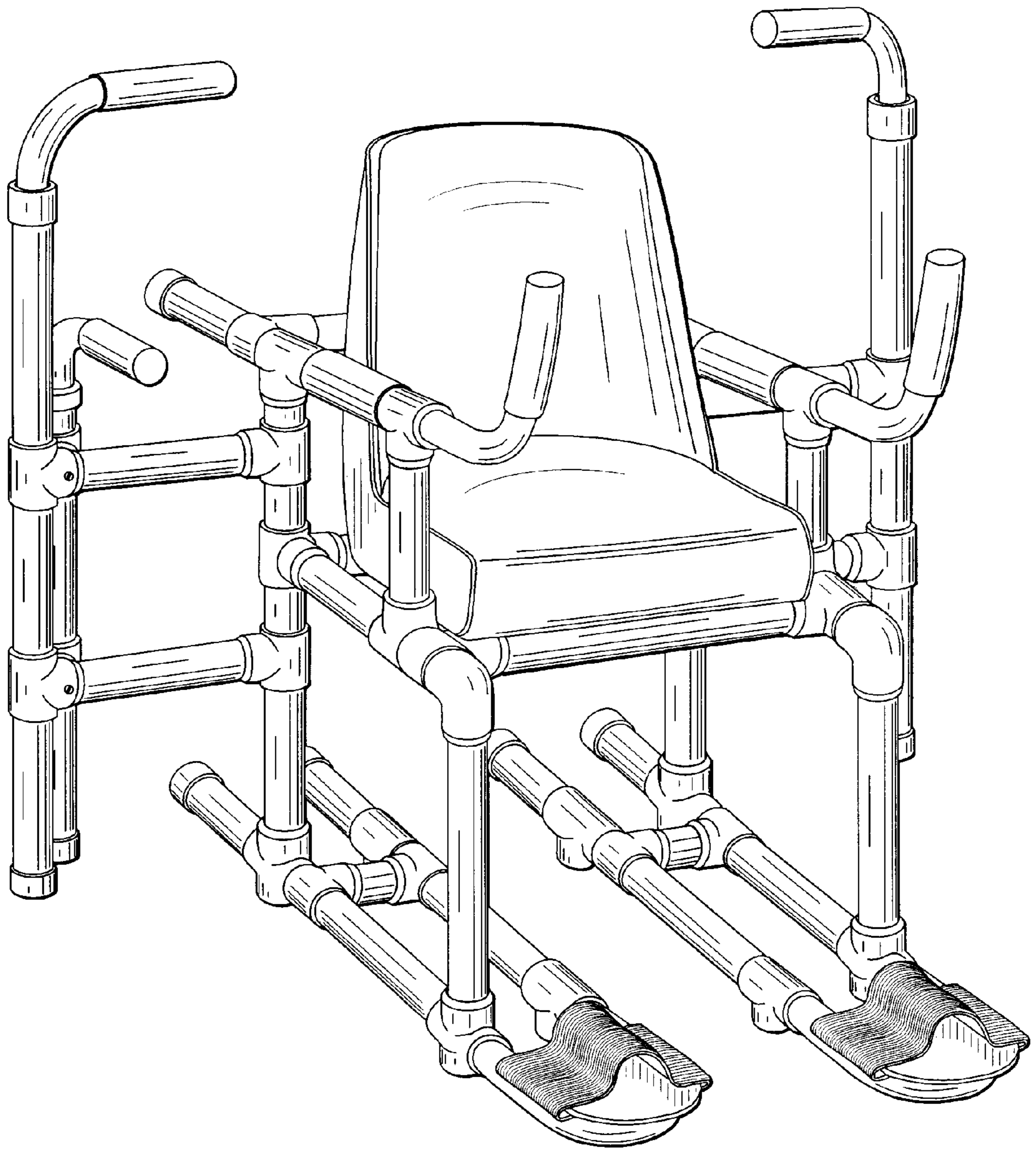


FIG. 1

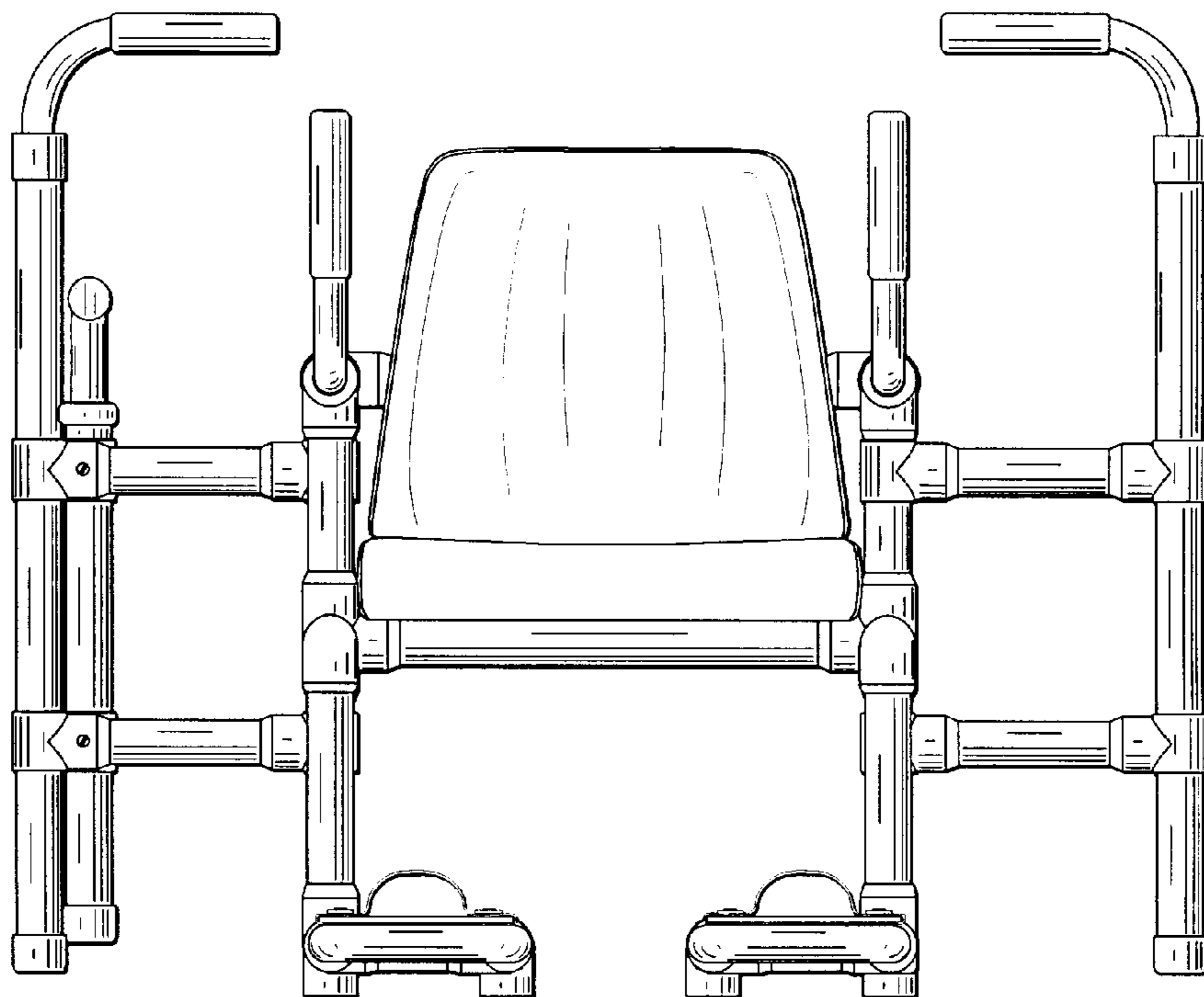


FIG. 2

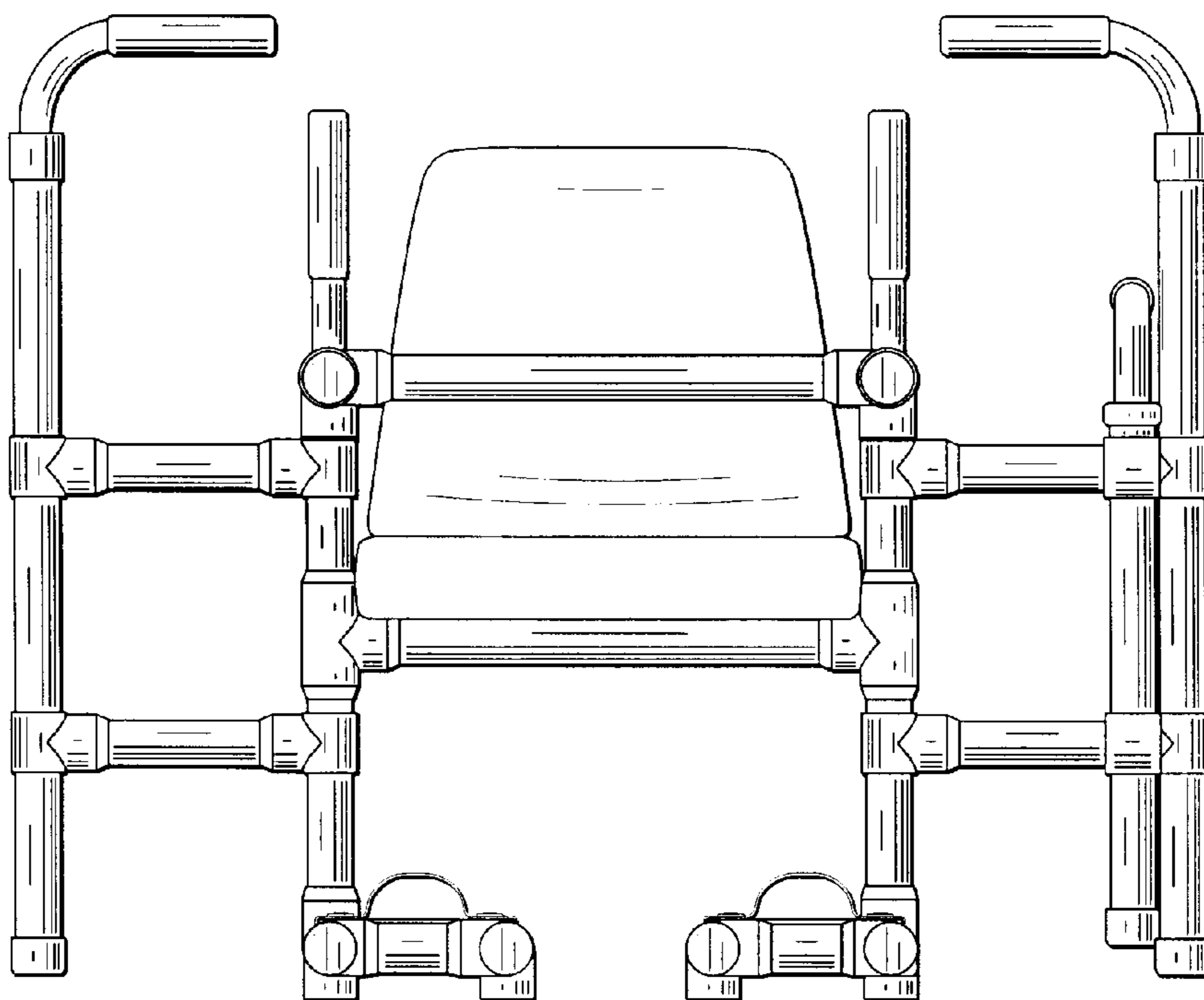


FIG. 3

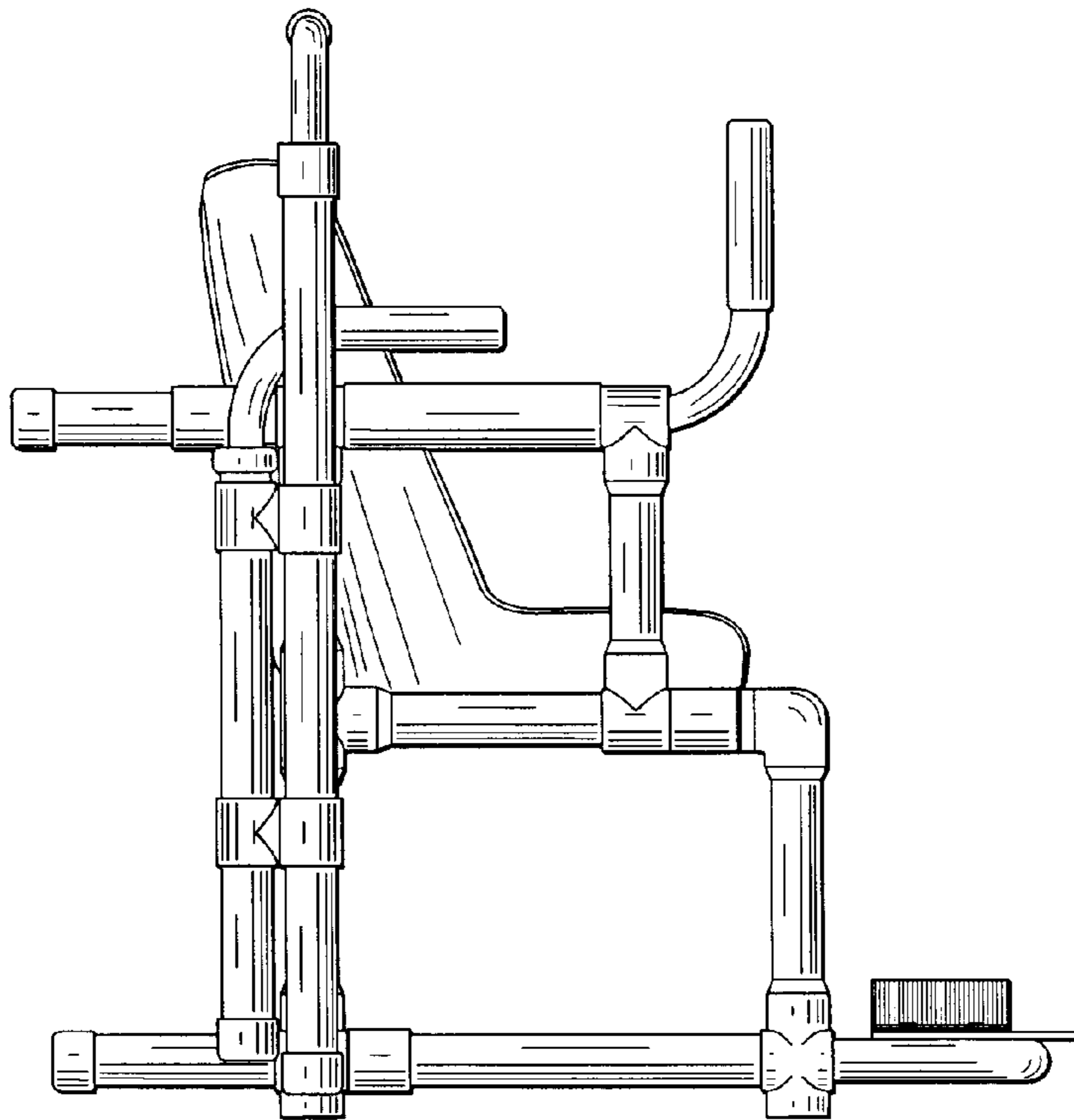


FIG. 4

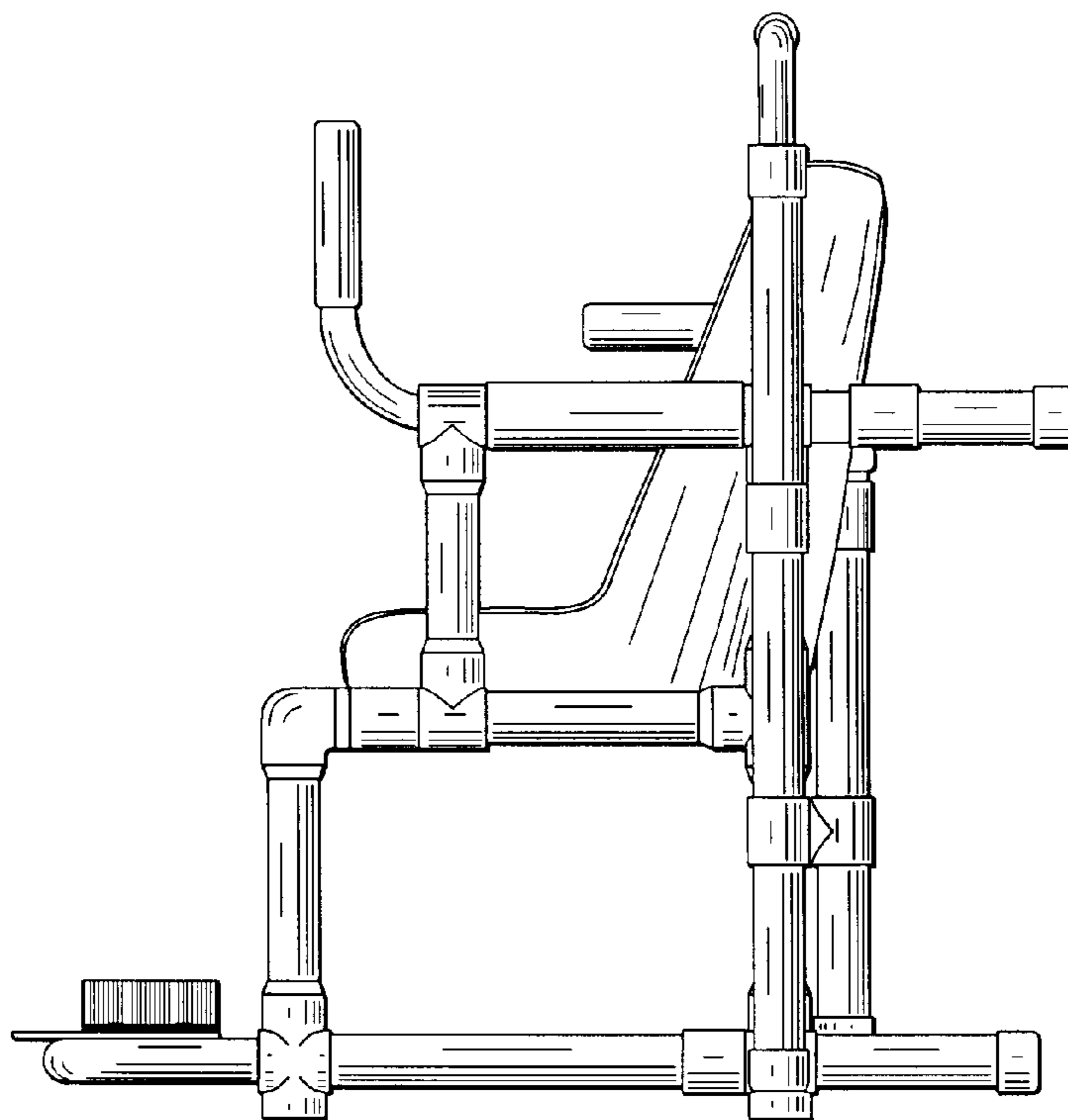


FIG. 5

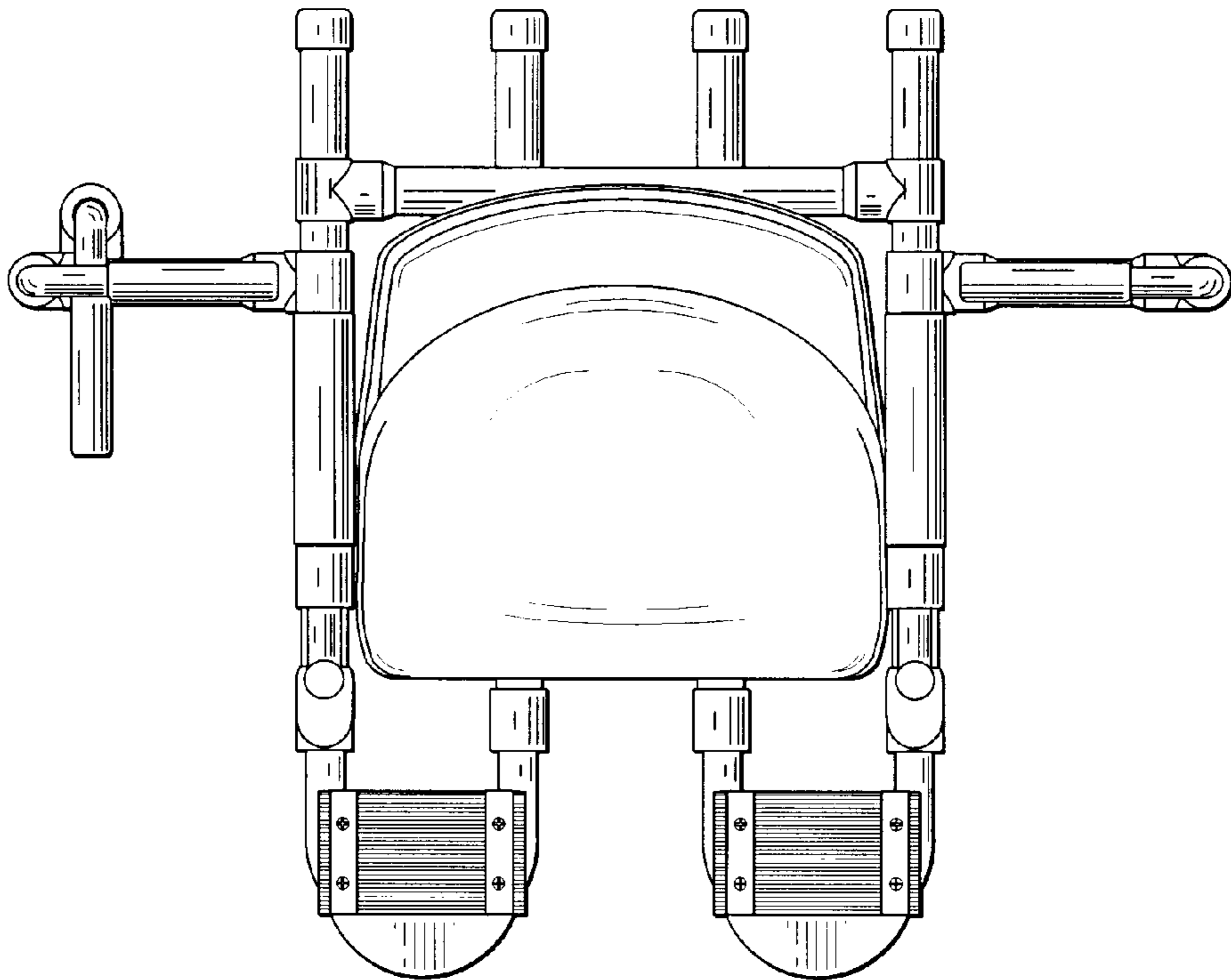


FIG. 6

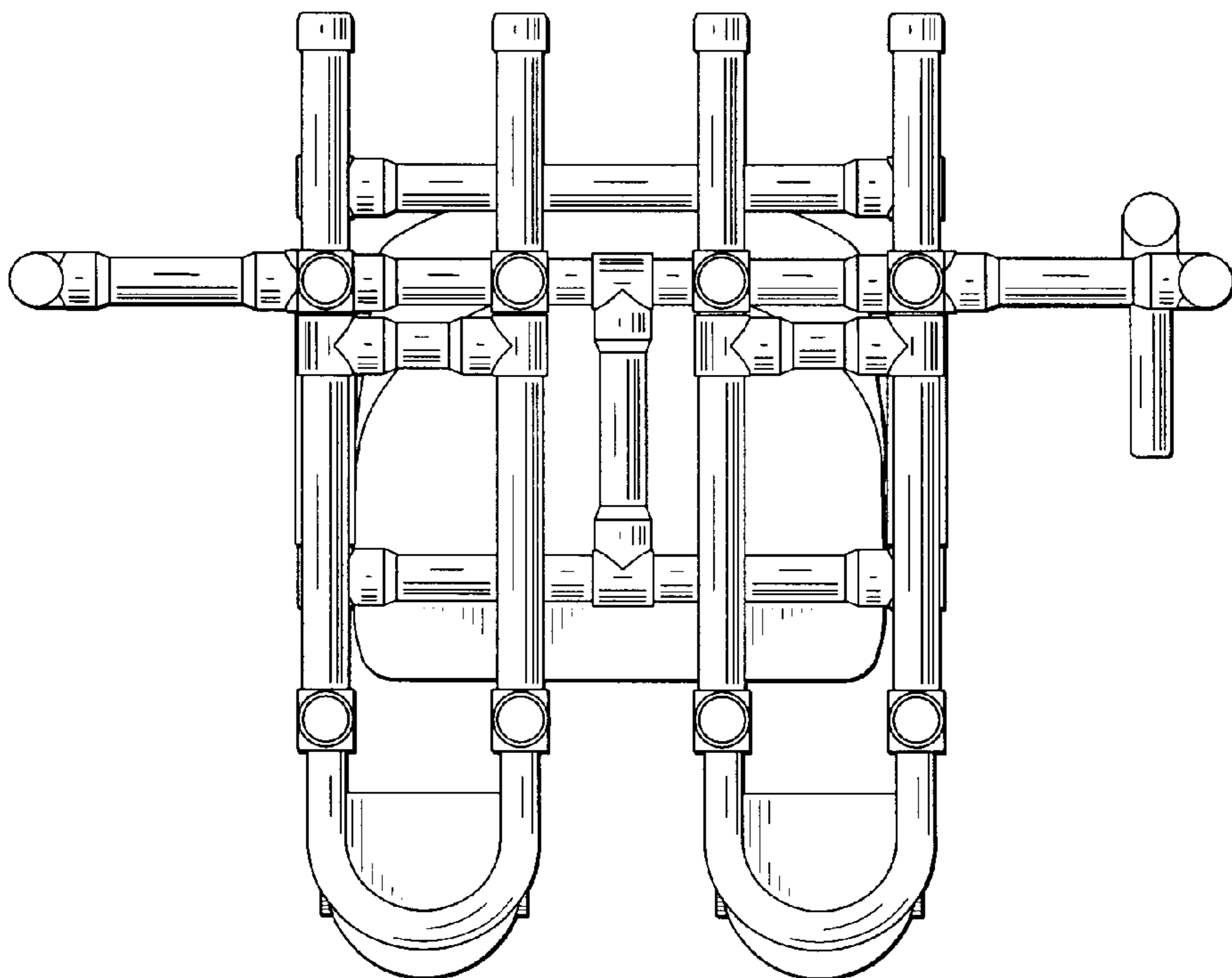


FIG. 7