



US00D420069S

**United States Patent** [19]  
**Conner**

[11] **Patent Number: Des. 420,069**  
[45] **Date of Patent: \*\* Feb. 1, 2000**

[54] **ABDOMINAL EXERCISE DEVICE FRAME**

5,746,688 5/1998 Prager ..... 482/142  
5,769,766 6/1998 Huang ..... 482/140

[76] Inventor: **G. Wayne Conner**, 1056 Quail Hill Rd., Newton, N.C. 28658

*Primary Examiner*—Philip S. Hyder

[\*\*] Term: **14 Years**

[57] **CLAIM**

[21] Appl. No.: **29/101,201**

The ornamental design for an abdominal exercise device frame, as shown and described.

[22] Filed: **Feb. 26, 1999**

**DESCRIPTION**

[51] **LOC (7) Cl.** ..... **21-02**

[52] **U.S. Cl.** ..... **D21/686**

[58] **Field of Search** ..... D21/662, 686,  
D21/687, 690, 691, 694; 482/140, 141,  
142, 148, 131, 104

FIG. 1 is a front view of the abdominal exercise device frame of the present invention;

FIG. 2 is a left side view of the abdominal exercise device frame of FIG. 1;

FIG. 3 is a right side view of the abdominal exercise device frame of FIG. 1;

FIG. 4 is a top view of the abdominal exercise device frame of FIG. 1;

FIG. 5 is a back view of the abdominal exercise device frame of FIG. 1, the bottom being plain and unornamental; and,

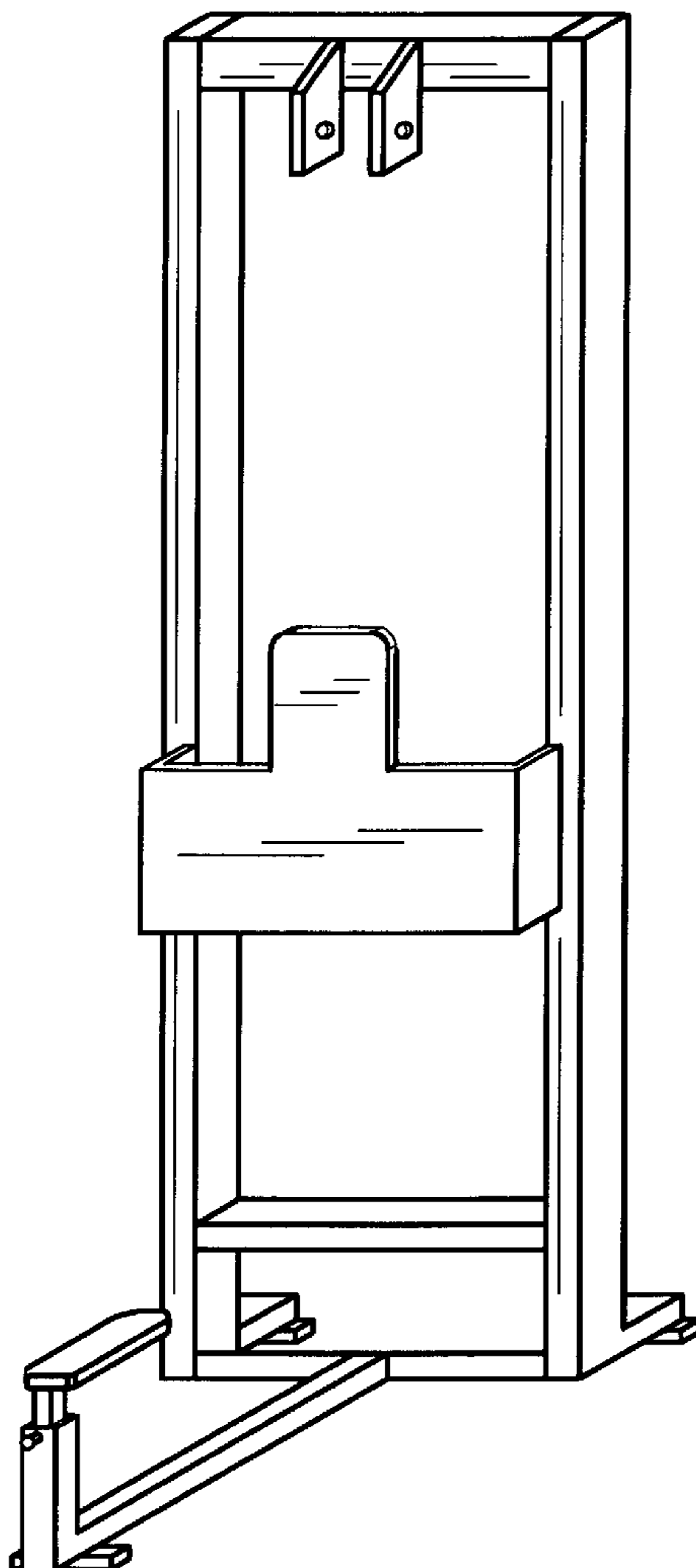
FIG. 6 is a front, top, right side perspective view of the abdominal exercise device frame as shown in FIG. 1.

[56] **References Cited**

**U.S. PATENT DOCUMENTS**

4,456,248	6/1984	Smith	.....	482/142
4,678,187	7/1987	Prsala	.....	482/142
4,830,367	5/1989	Foran	.....	482/140
4,832,336	5/1989	Lahman	.....	482/140
5,518,487	5/1996	Hallmark	.....	482/140
5,567,202	10/1996	Hager	.....	482/131

**1 Claim, 2 Drawing Sheets**



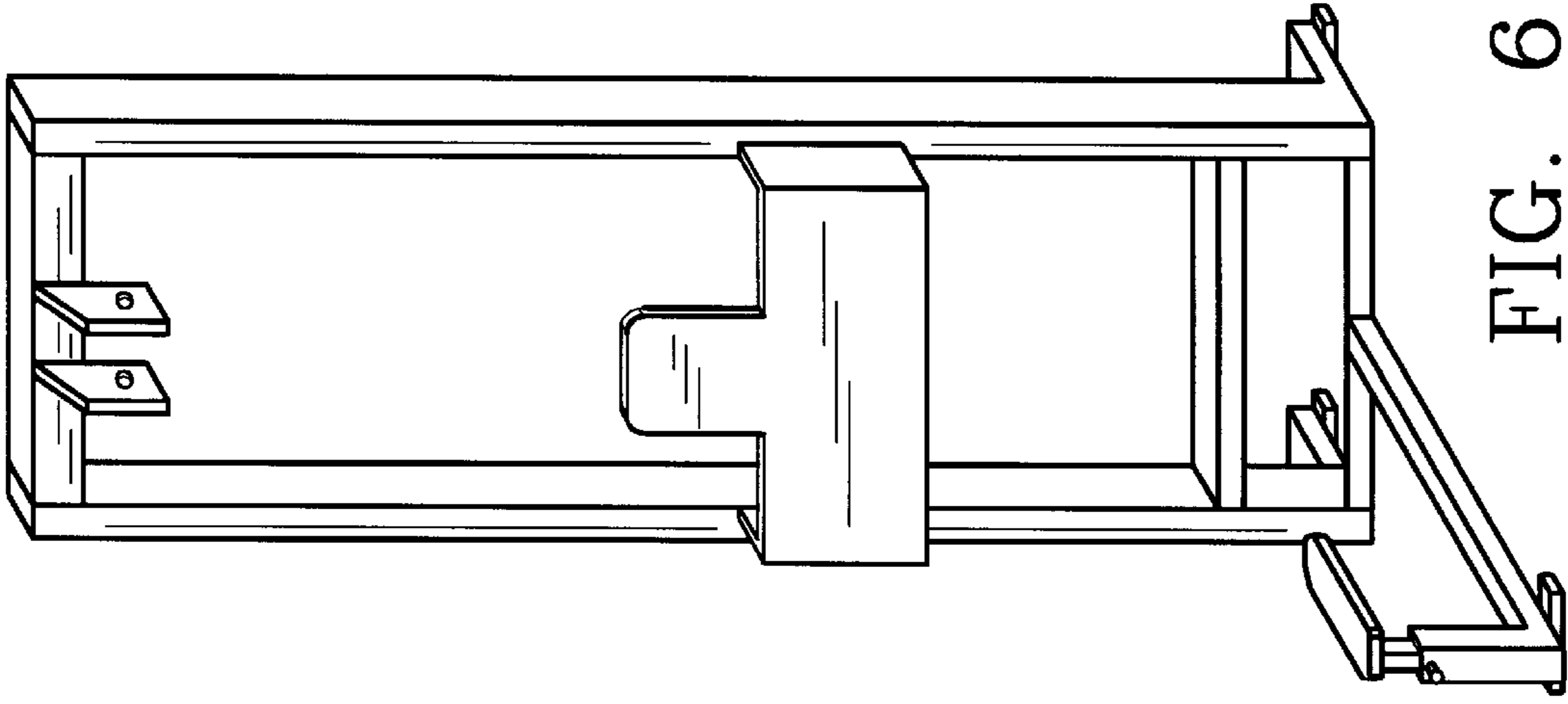


FIG. 6

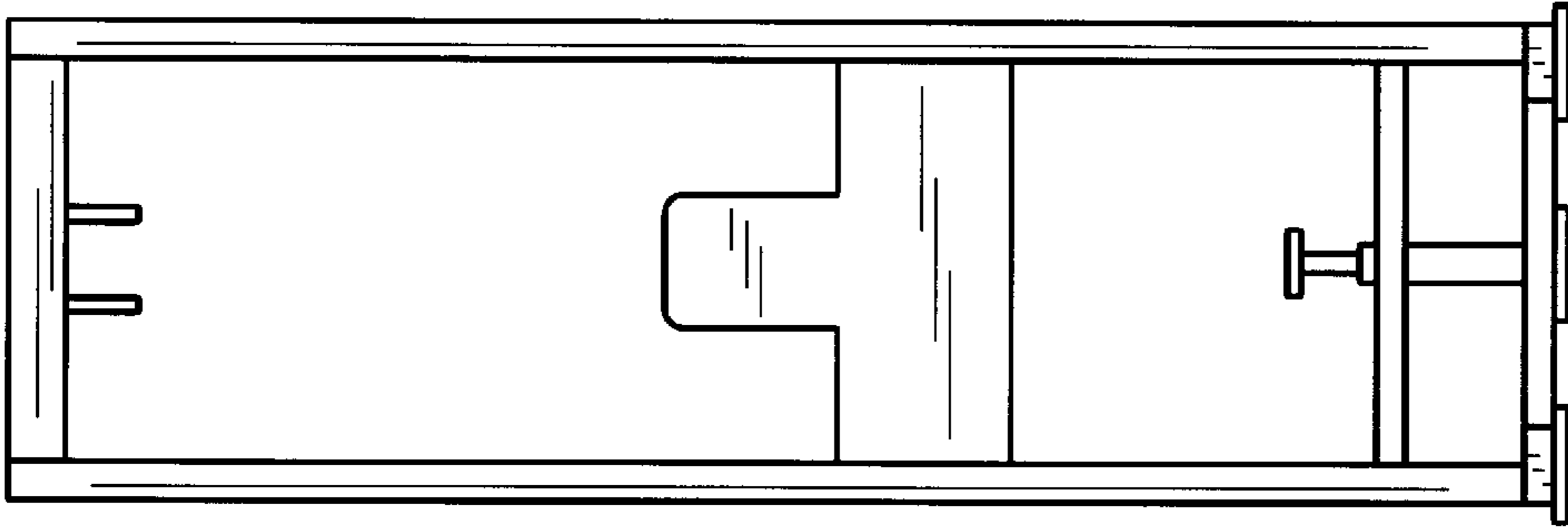


FIG. 5

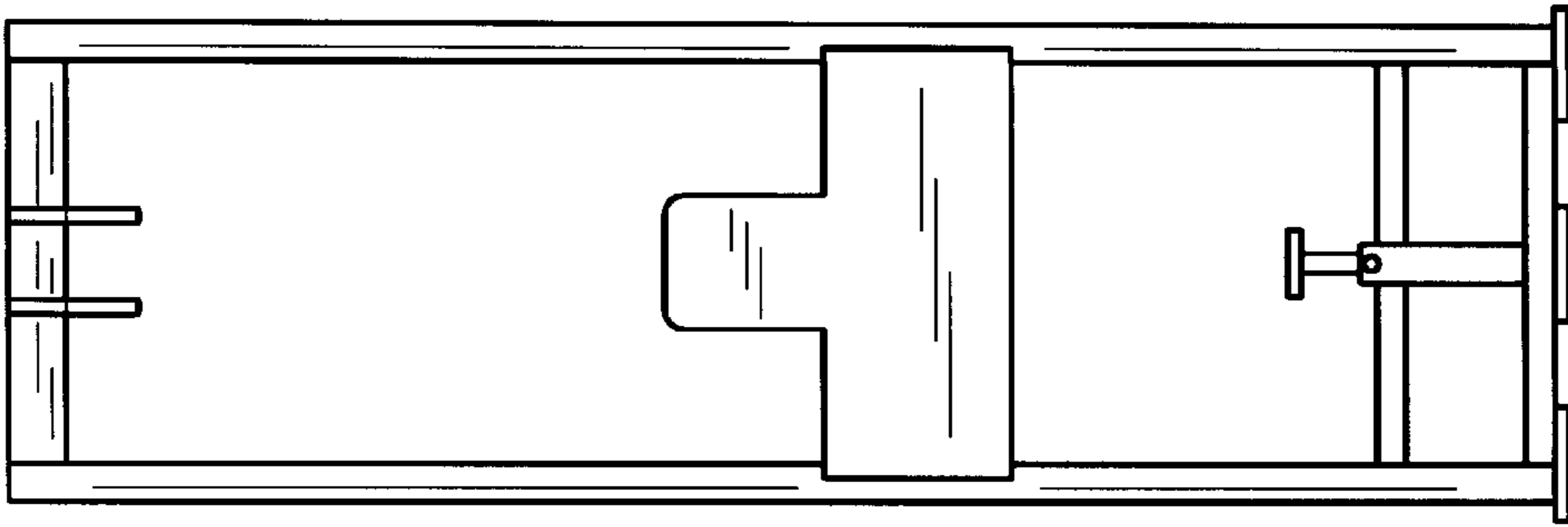


FIG. 1

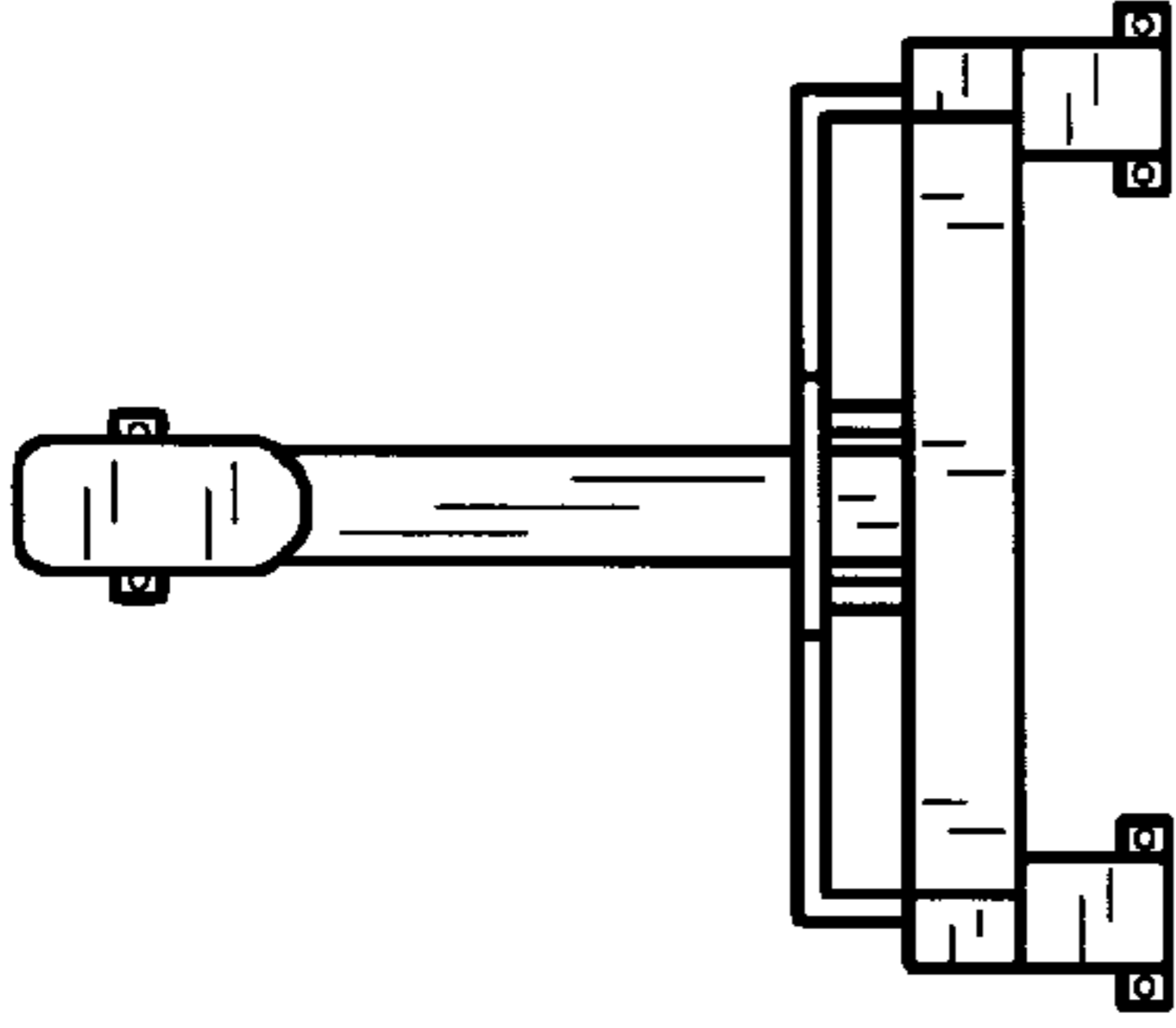


FIG. 4

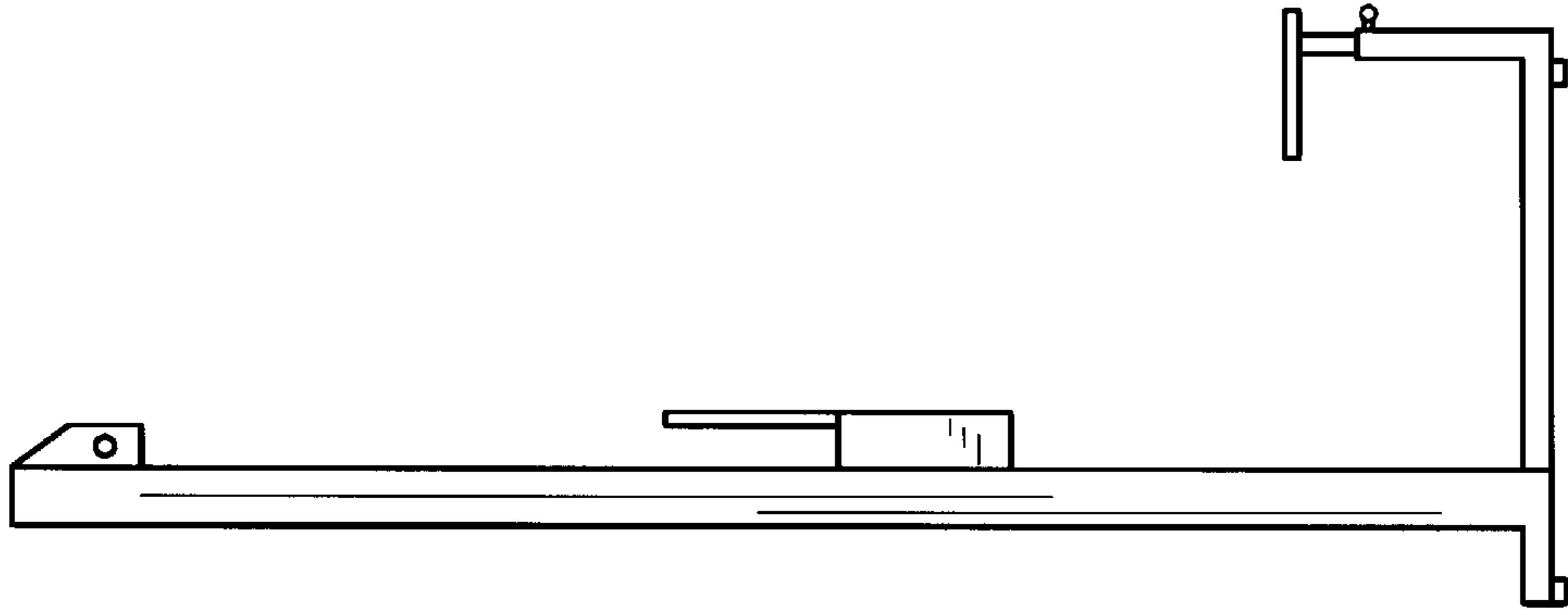


FIG. 2

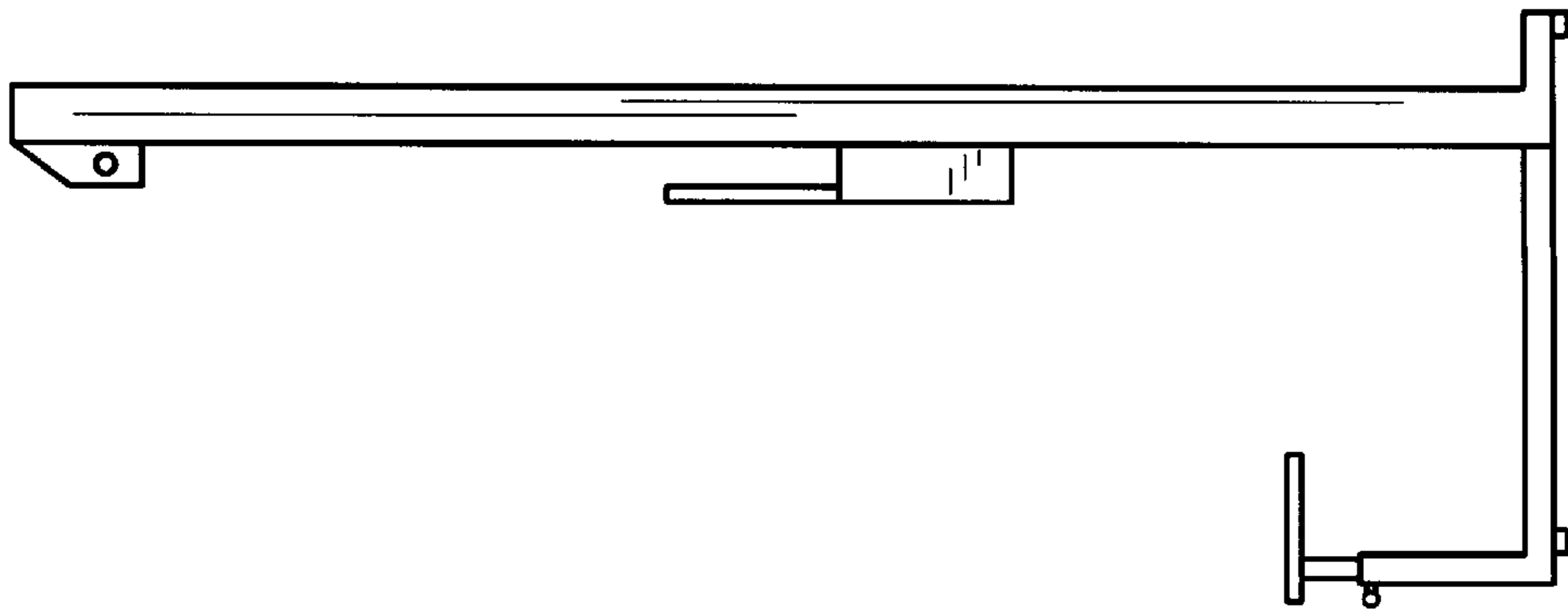


FIG. 3