



US00D420062S

# United States Patent [19] Glickman

[11] Patent Number: **Des. 420,062**

[45] Date of Patent: **\*\* Feb. 1, 2000**

[54] **SINGLE STUD CONSTRUCTION TOY BLOCK**

[75] Inventor: **Joel I. Glickman**, Huntingdon Valley, Pa.

[73] Assignee: **Connector Set Limited Partnership**, Hatfield, Pa.

[\*\*] Term: **14 Years**

[21] Appl. No.: **29/098,084**

[22] Filed: **Dec. 21, 1998**

[51] **LOC (7) Cl.** ..... **21-01**

[52] **U.S. Cl.** ..... **D21/504; D21/503**

[58] **Field of Search** ..... D21/484-505; D25/113; 446/85, 88, 93-96, 102-111, 116-117, 119-121, 124-125, 128, 476

[56] **References Cited**

**U.S. PATENT DOCUMENTS**

D. 272,256	1/1984	Chatani et al. ....	D21/499
D. 328,929	8/1992	Jarnros .....	D21/503
D. 403,721	1/1999	Bean .....	D21/503
1,971,545	8/1934	Tompkins .....	446/121
2,649,803	8/1953	Andre .....	446/102
2,861,388	11/1958	Favaretto .....	446/124
3,162,973	12/1964	Christiansen .	
3,220,141	11/1965	Goss, III .	
3,412,502	11/1968	Riches .	
3,487,579	1/1970	Brettingen .	
3,554,384	1/1971	Denatale .....	D21/499
3,877,170	4/1975	Bakker .	
4,044,497	8/1977	Bettens .....	446/128
4,246,718	1/1981	Chatani .	
4,305,221	12/1981	Chatani .	

4,306,373	12/1981	Chatani et al. .	
4,744,780	5/1988	Volpe .....	446/128
5,000,713	3/1991	Cheng .....	446/128
5,186,672	2/1993	Tung .....	446/108
5,683,283	11/1997	Glynn .	
5,823,843	10/1998	Pohlman .....	446/108

**FOREIGN PATENT DOCUMENTS**

229861	8/1960	Australia .	
0 039 100	11/1981	European Pat. Off. .	
1150976	1/1958	France .	
1180316	6/1959	France .	
24 29 491	1/1975	Germany .	
935308	8/1963	United Kingdom .	
1049484	11/1966	United Kingdom .	

**OTHER PUBLICATIONS**

Fisher Price Catalog, Block #2027, May 1992.

*Primary Examiner*—Raphael Barkai  
*Attorney, Agent, or Firm*—Schweitzer Cornman Gross & Bondell LLP

[57] **CLAIM**

The ornamental design for a single stud construction toy block, as shown and described.

**DESCRIPTION**

FIG. 1 is a top perspective view of single stud construction toy block according to the invention; FIG. 2 is a bottom perspective view thereof; FIG. 3 is a top plan view thereof; FIG. 4 is a bottom plan view thereof; and, FIG. 5 is an end elevational view thereof, the opposite end elevational view and the front and back elevational views thereof being identical.

**1 Claim, 2 Drawing Sheets**

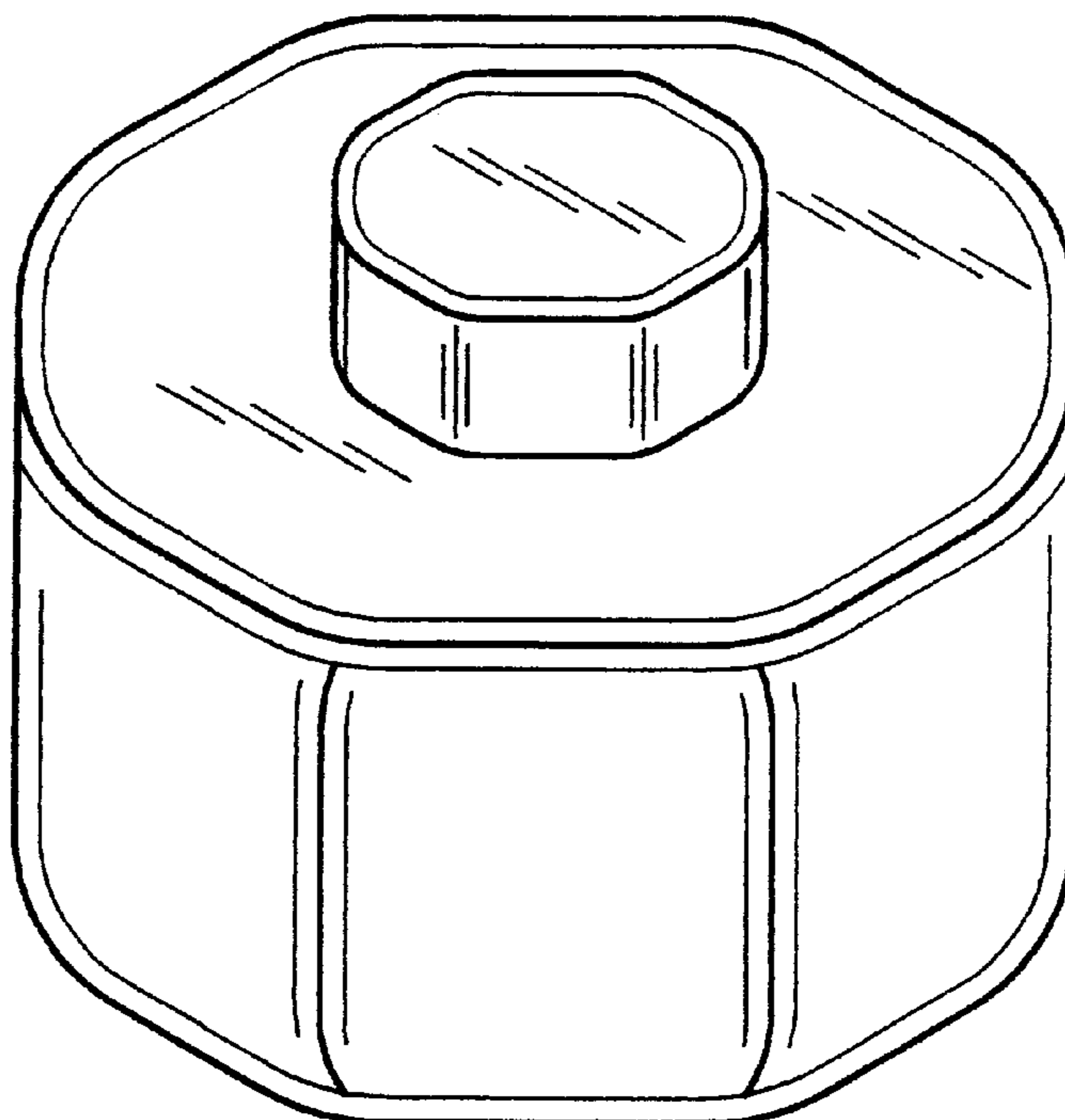


FIG. 1

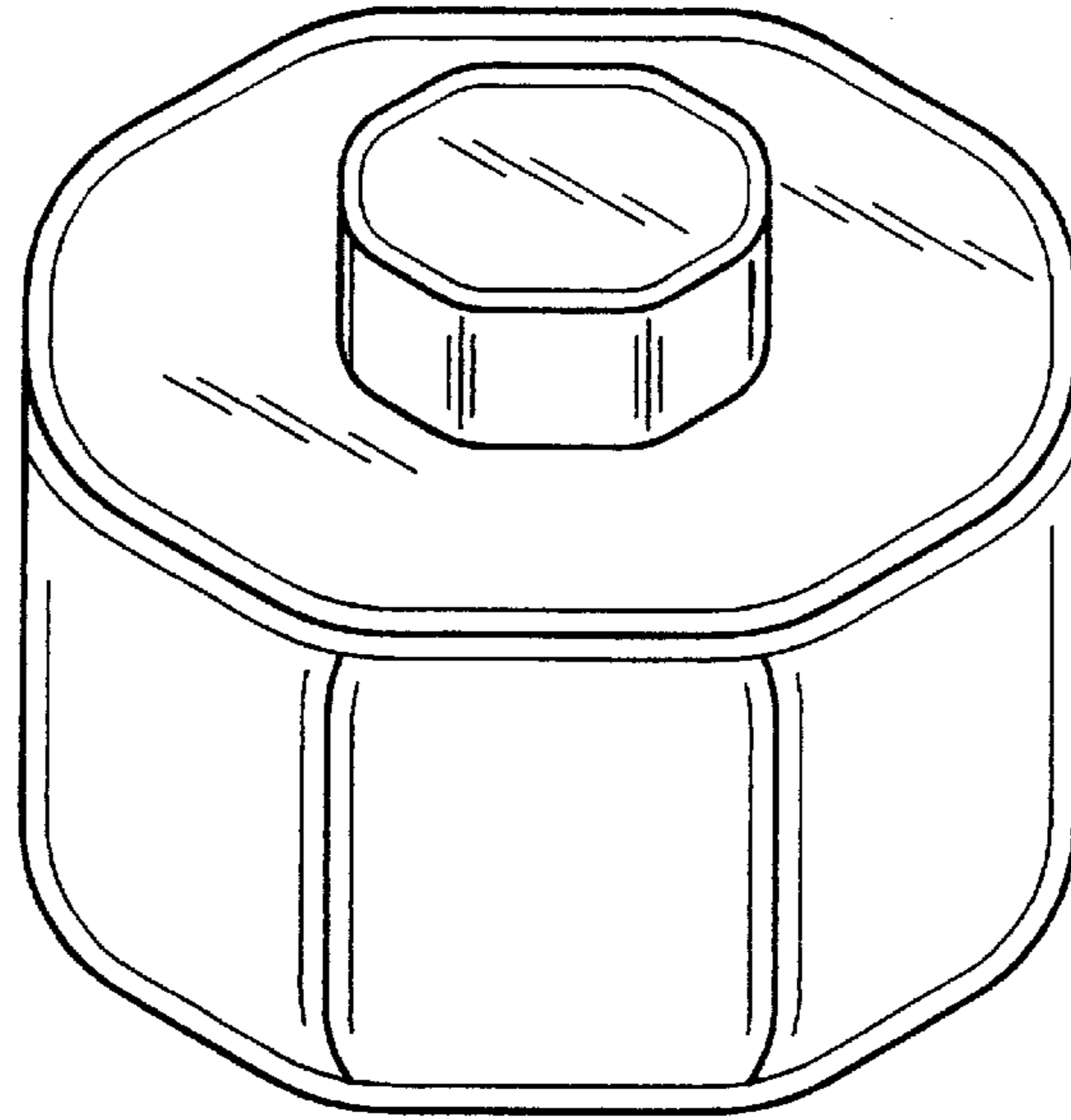
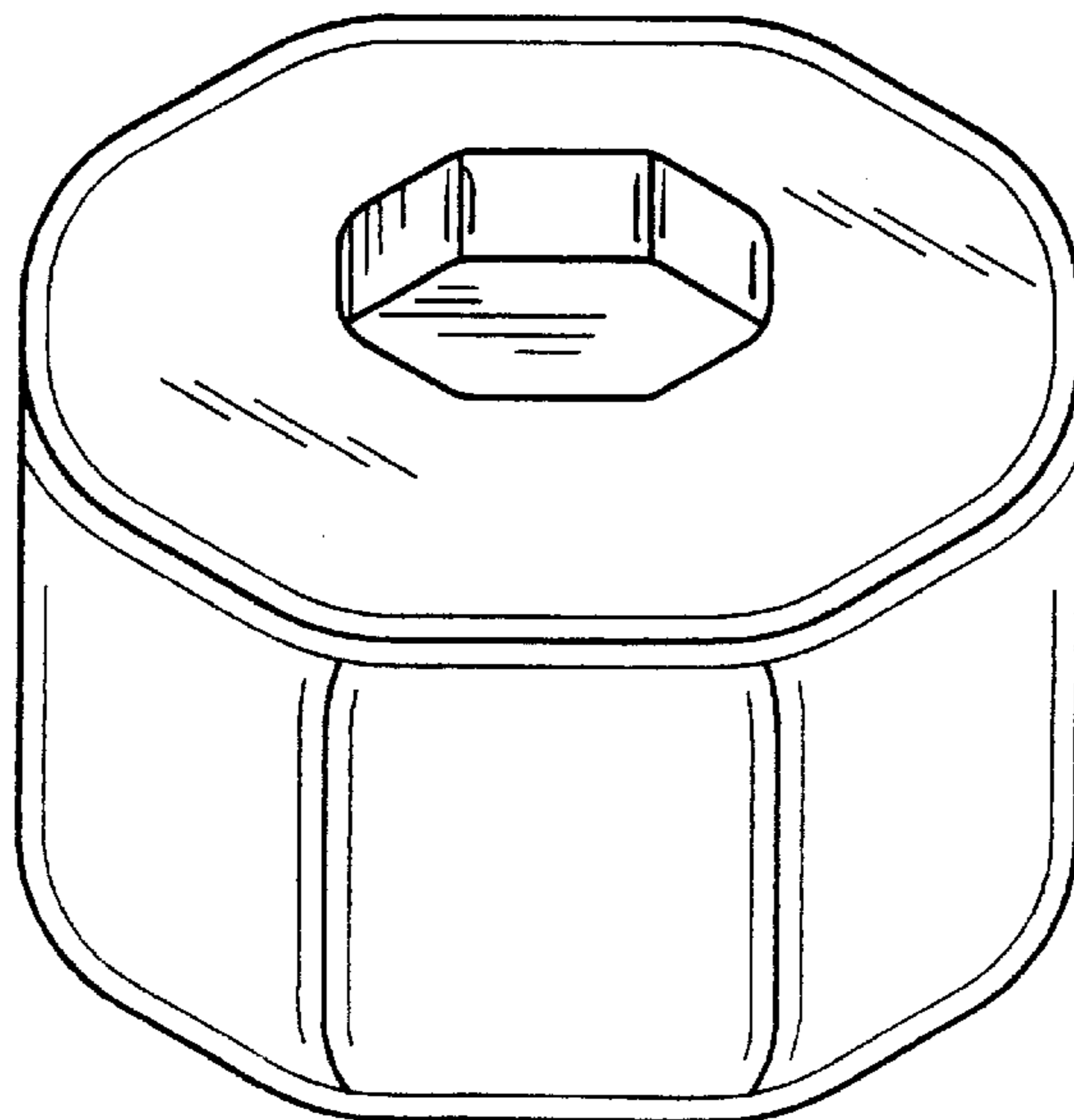
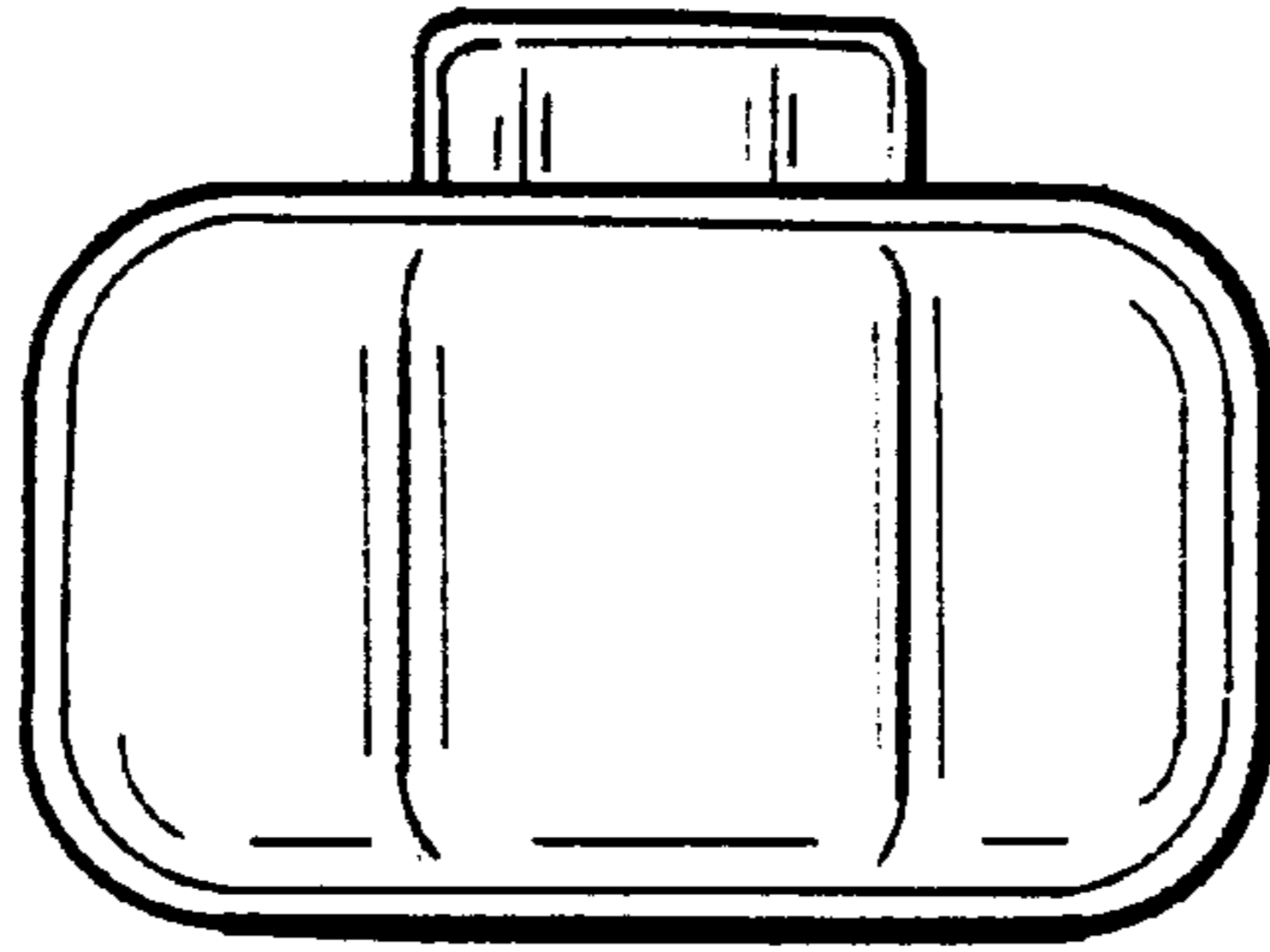


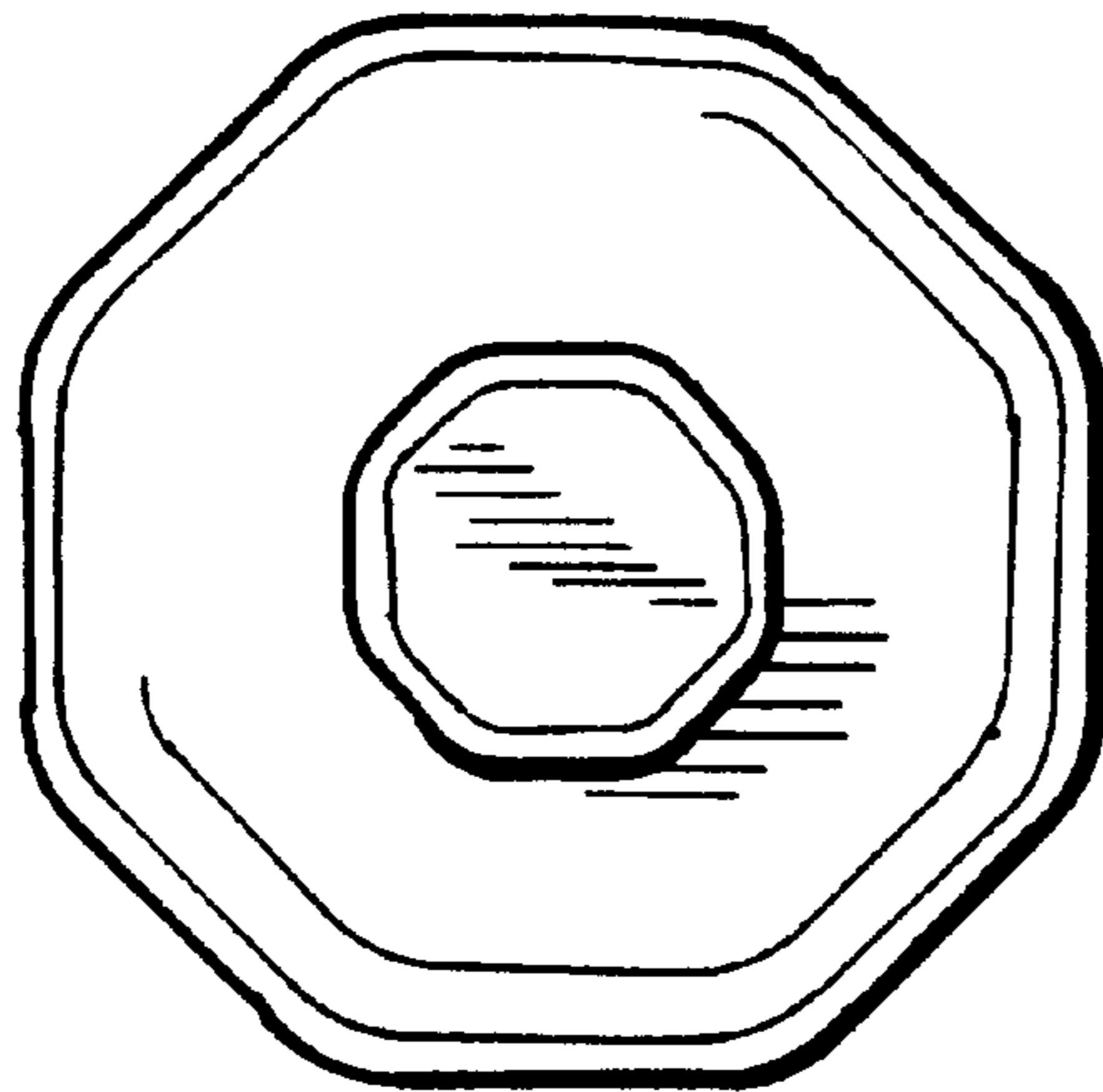
FIG. 2



**FIG. 5**



**FIG. 3**



**FIG. 4**

