



US00D420061S

United States Patent [19]
Petersen

[11] **Patent Number: Des. 420,061**

[45] **Date of Patent: ** Feb. 1, 2000**

[54] **TOY BUILDING ELEMENT WITH SIMULATED INSECT WINGS**

3,455,049 7/1969 Dyer et al. 446/102
3,866,348 2/1975 Roby et al. 446/121
4,307,533 12/1981 Sims et al. 446/95

[75] Inventor: **Hanna Kamecka Petersen**, Solrød Strand, Denmark

Primary Examiner—Raphael Barkai
Attorney, Agent, or Firm—Kane,Dalsimer,Sullivan,Kurucz, Levy,Eisele and Richard, LLP

[73] Assignee: **INTERLEGO AG**, Baar, Switzerland

[**] Term: **14 Years**

[57] **CLAIM**

[21] Appl. No.: **29/095,023**

The ornamental design for a toy building element with simulated insect wings, as shown and described.

[22] Filed: **Oct. 14, 1998**

DESCRIPTION

[51] **LOC (7) Cl.** **21-01**

[52] **U.S. Cl.** **D21/493**

[58] **Field of Search** D21/484-505,
D21/650, 658; 446/85, 87, 95, 97, 102,
104, 107, 117, 120, 121, 128

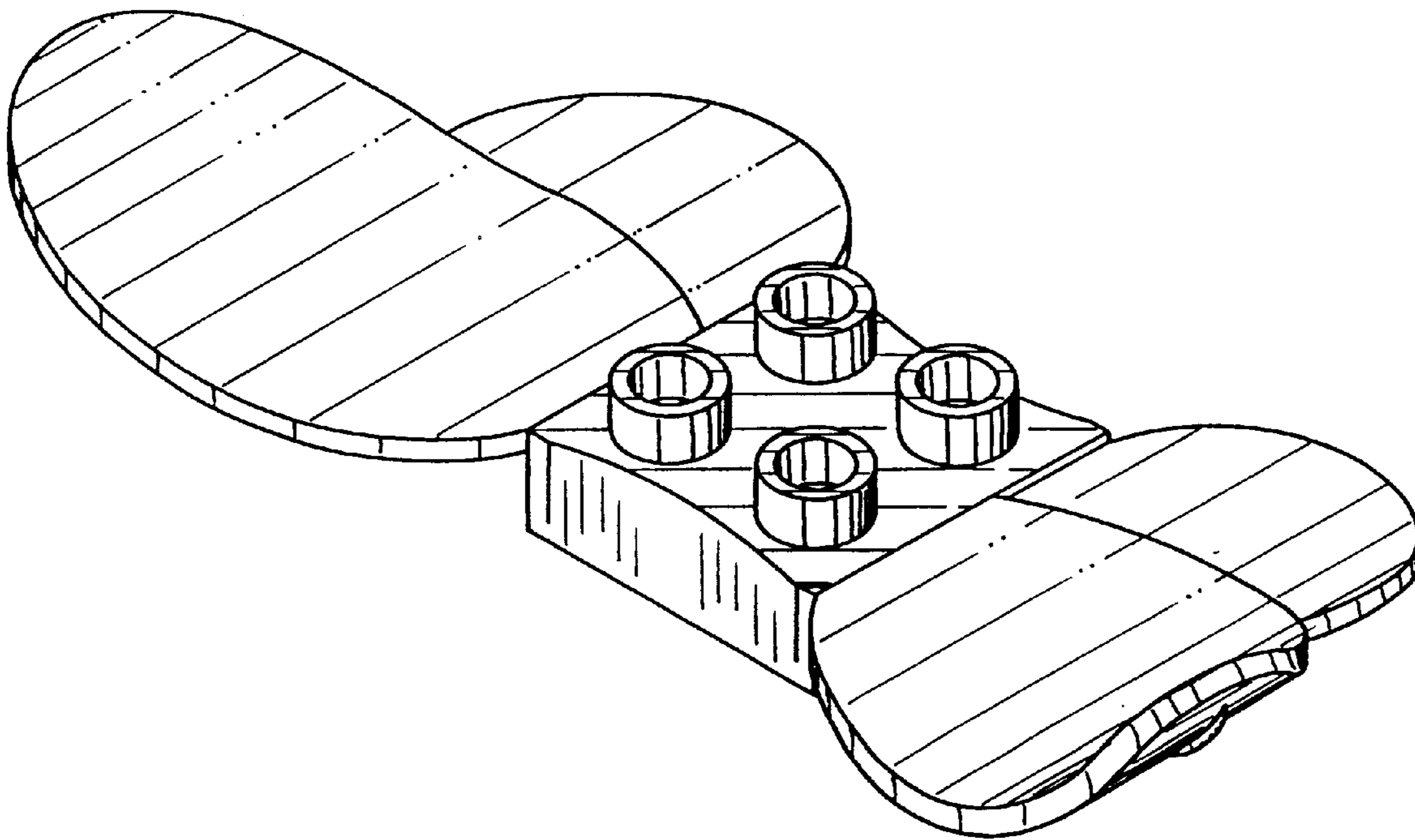
FIG. 1 is a top perspective view of the toy building element with simulated insect wings;
FIG. 2 is a top plan view thereof;
FIG. 3 is a front elevational view thereof;
FIG. 4 is a bottom plan view thereof;
FIG. 5 is a right side elevational view thereof;
FIG. 6 is a left side elevational view thereof;
FIG. 7 is a rear elevational view thereof; and,
FIG. 8 is a bottom perspective view thereof.

[56] **References Cited**

U.S. PATENT DOCUMENTS

D. 198,856 8/1964 Rossi D21/650
D. 271,406 11/1983 Osborne D21/650
D. 356,369 3/1995 El-Assir D21/650

1 Claim, 3 Drawing Sheets



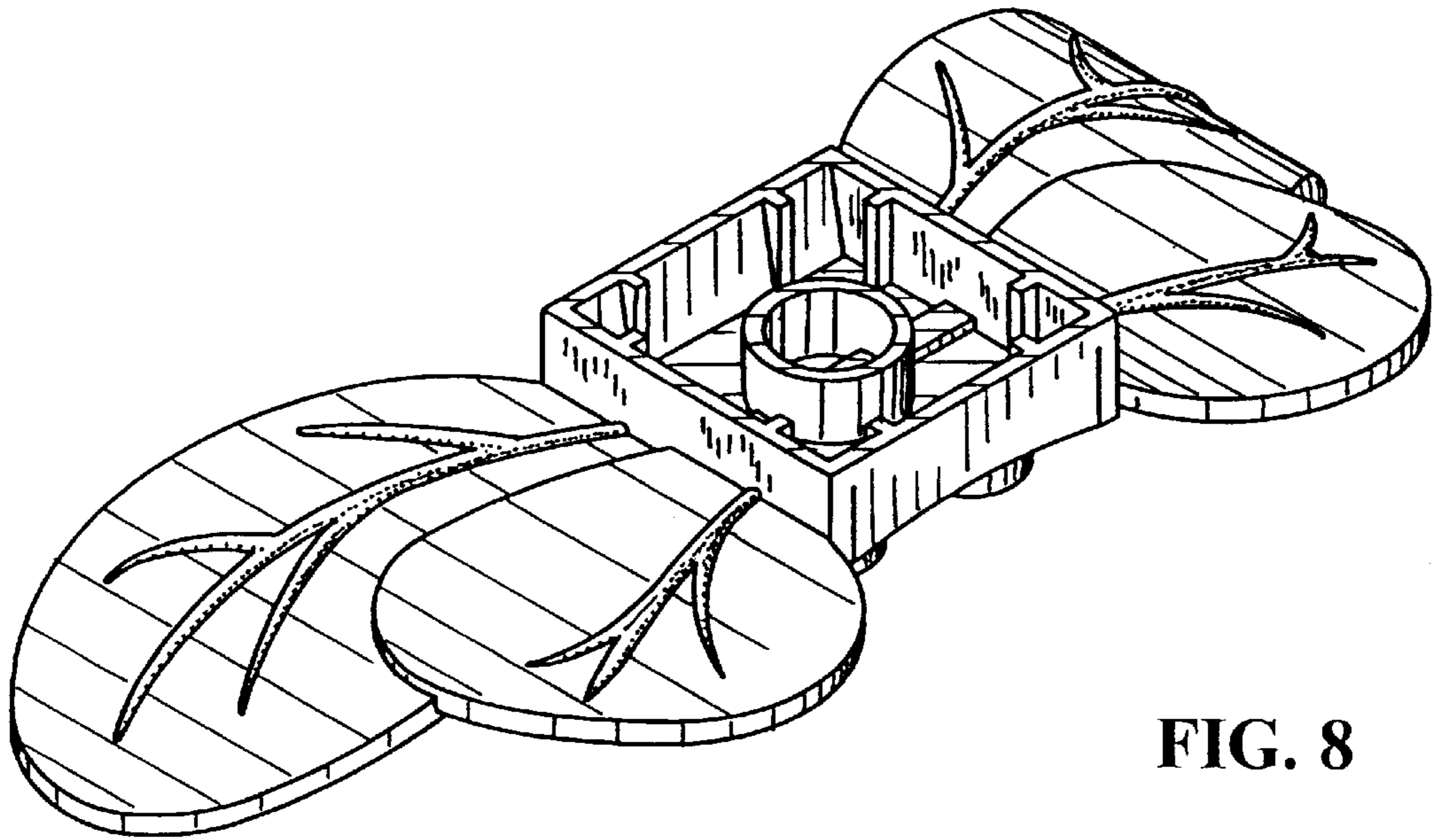


FIG. 8

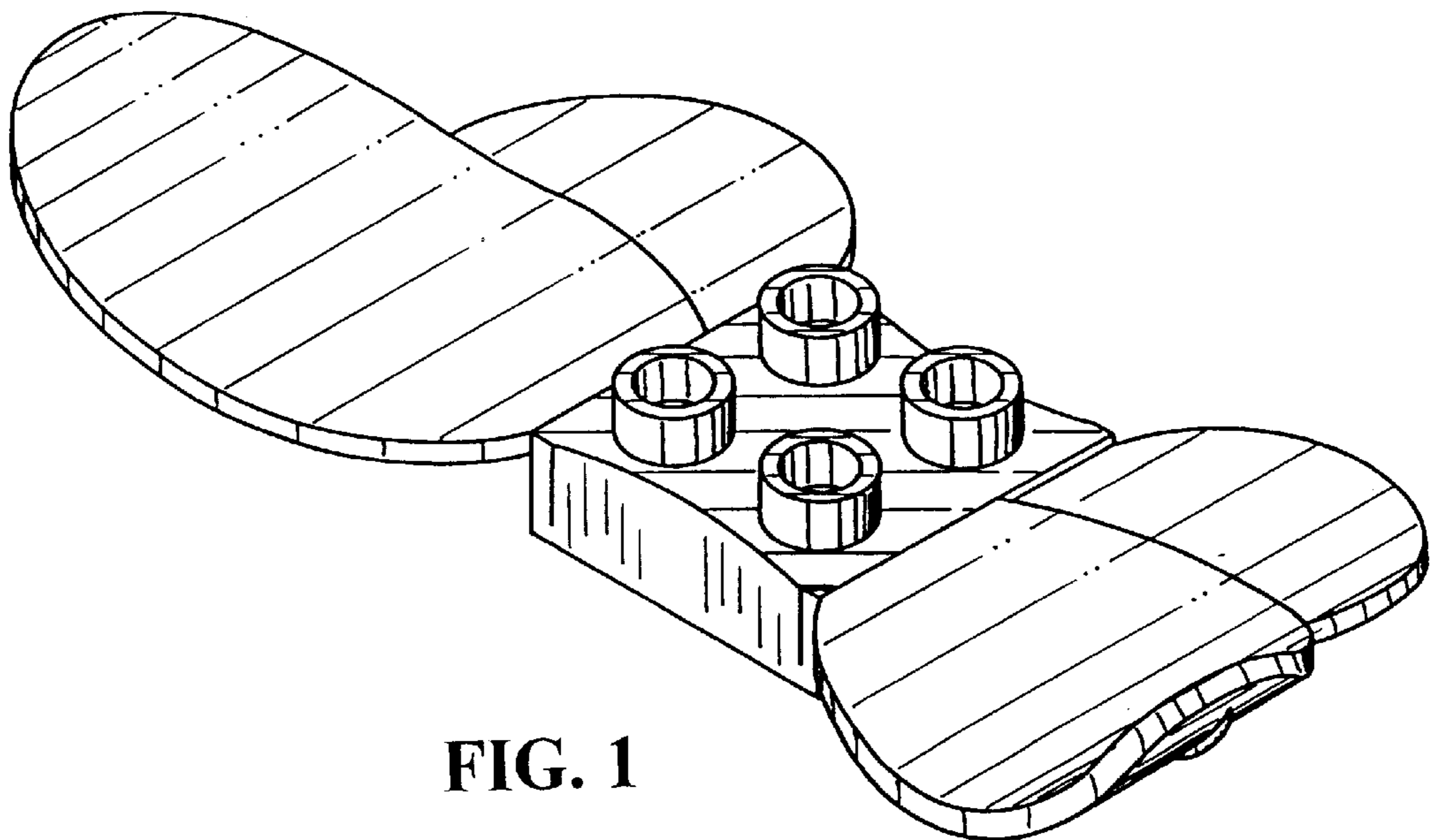


FIG. 1

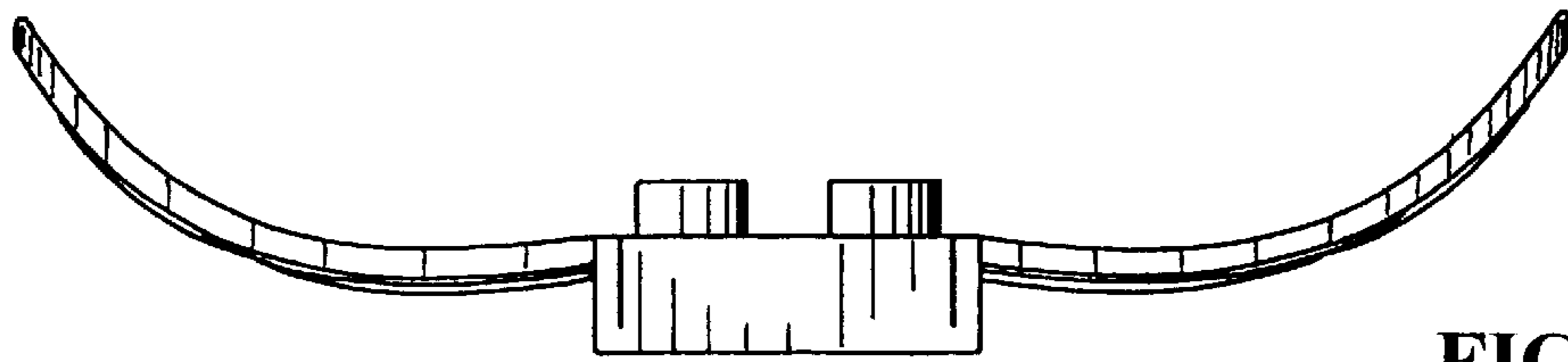


FIG. 3

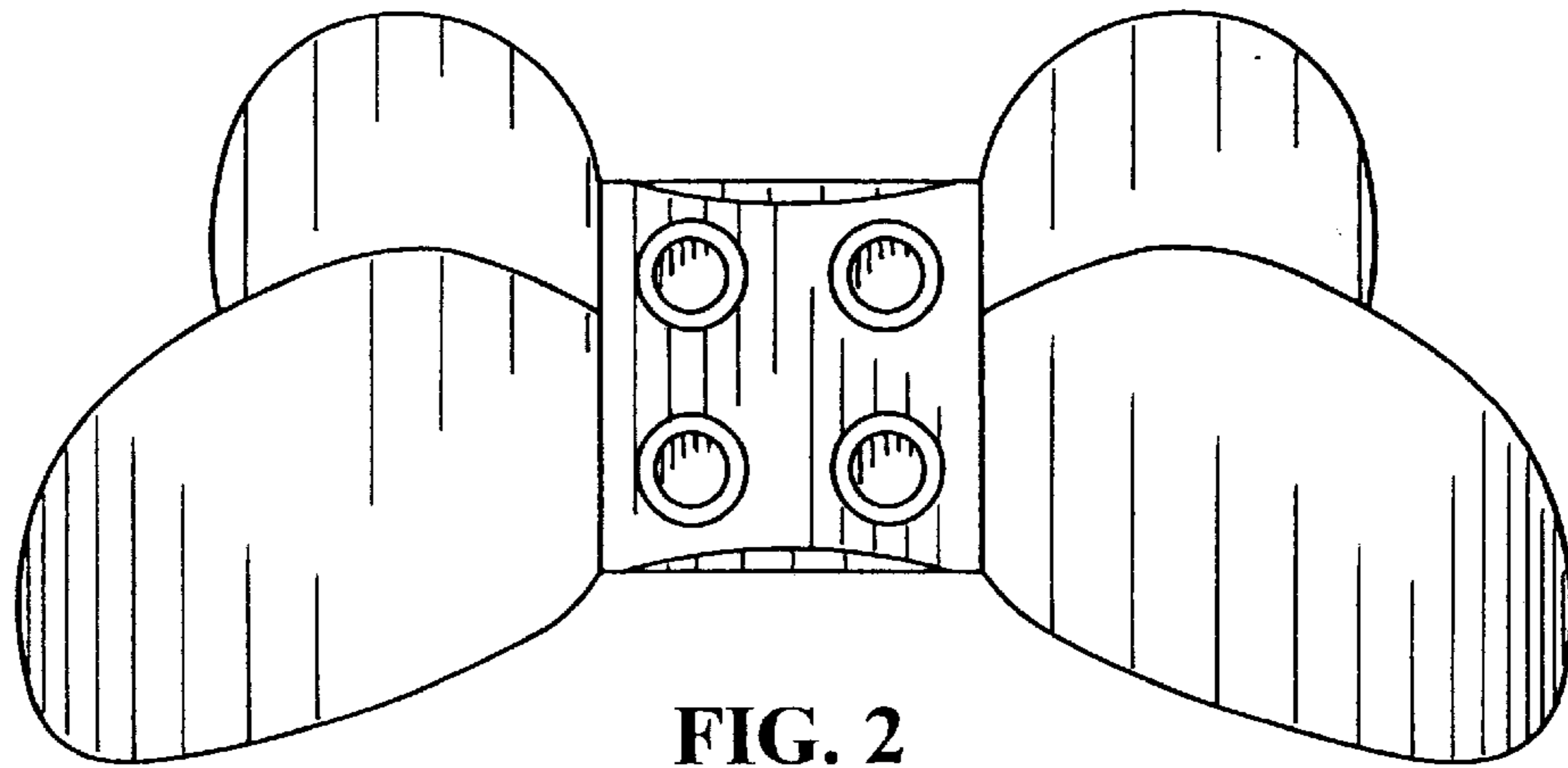


FIG. 2

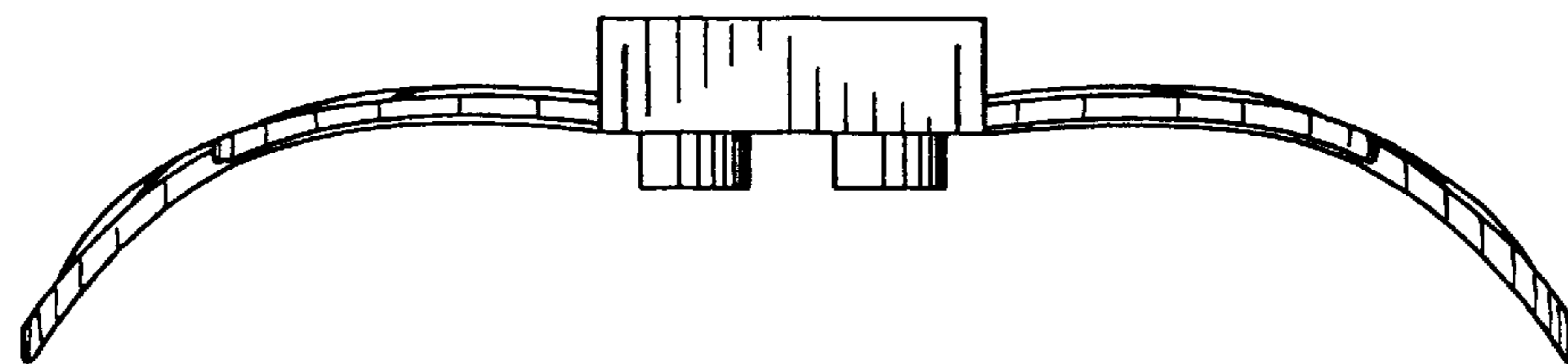


FIG. 7

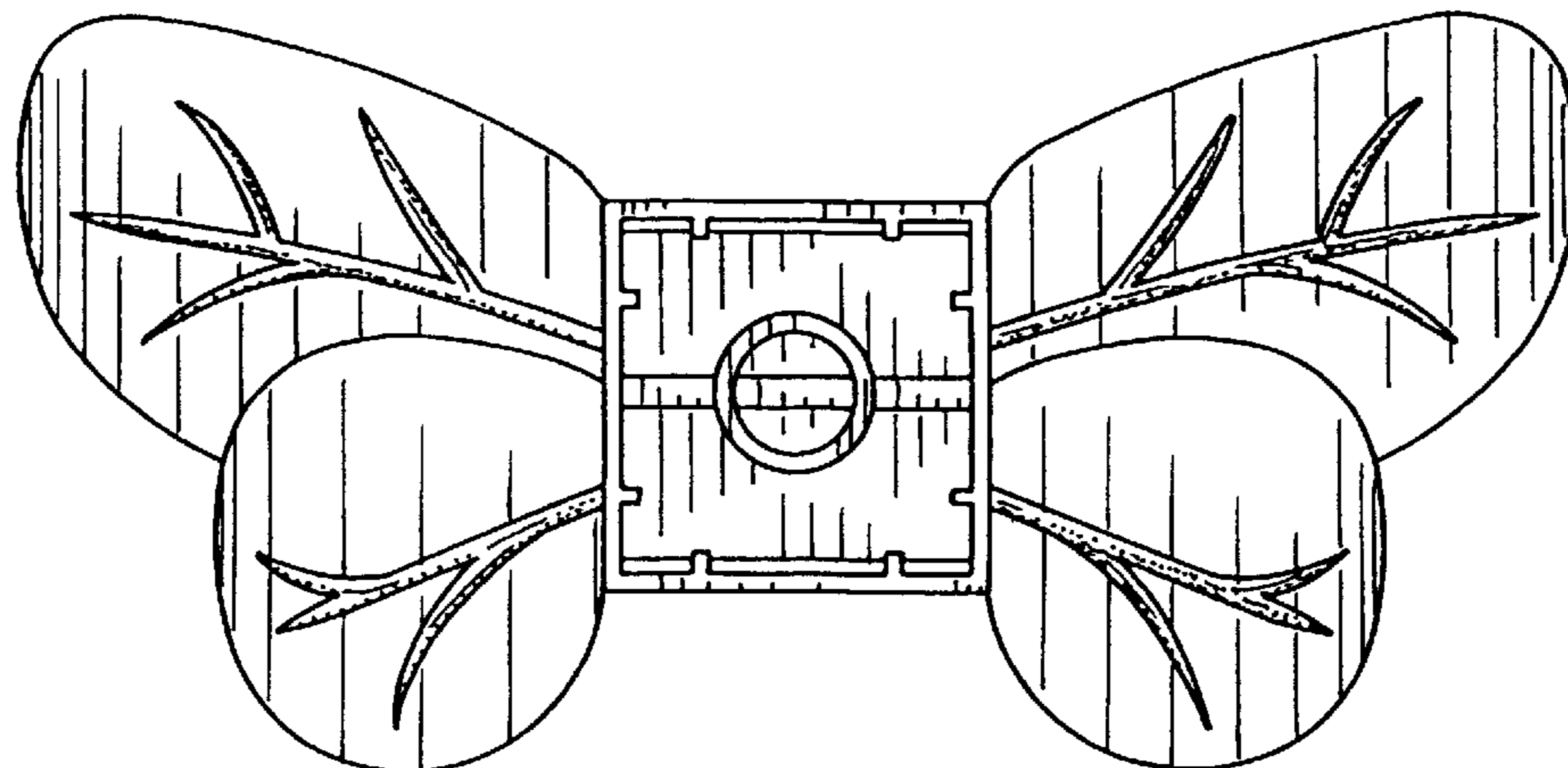


FIG. 4

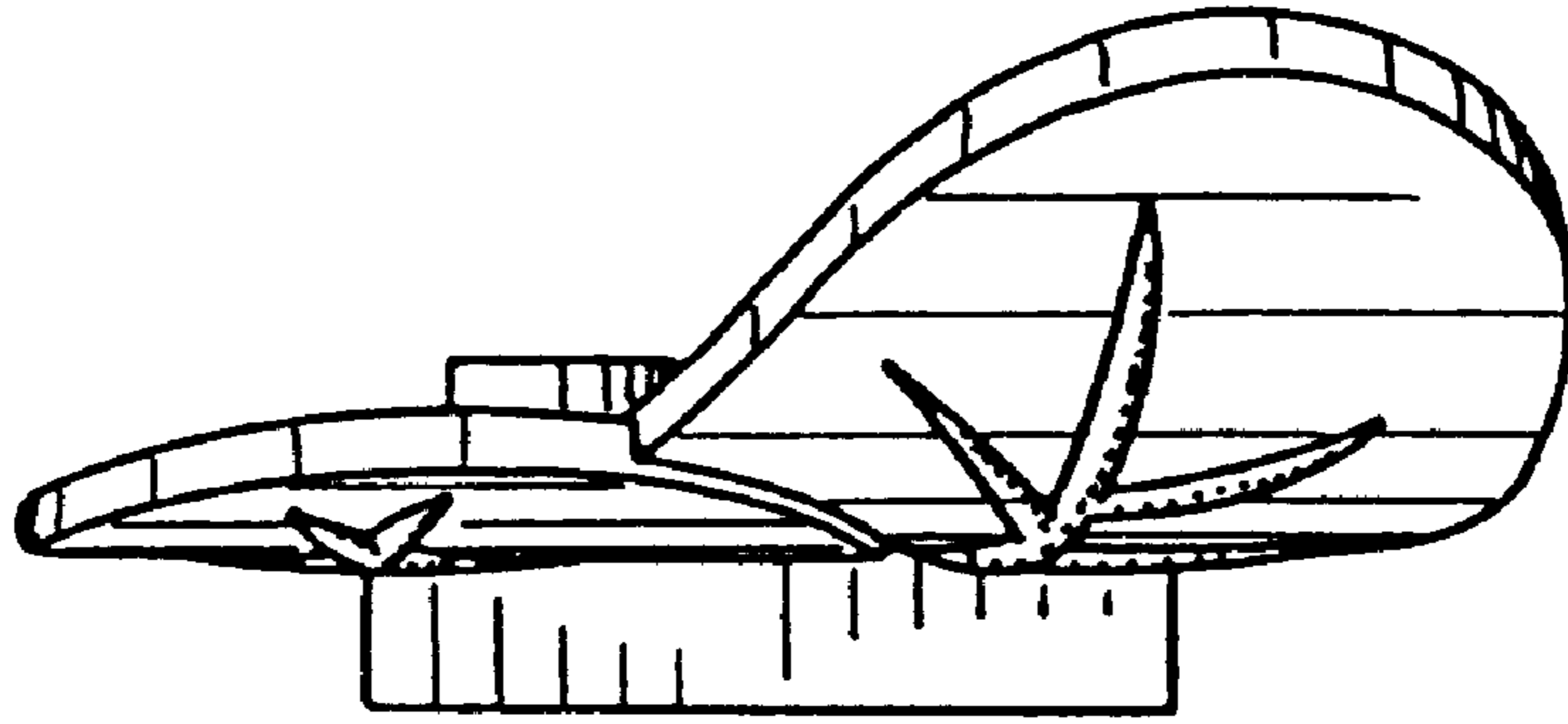


FIG. 6

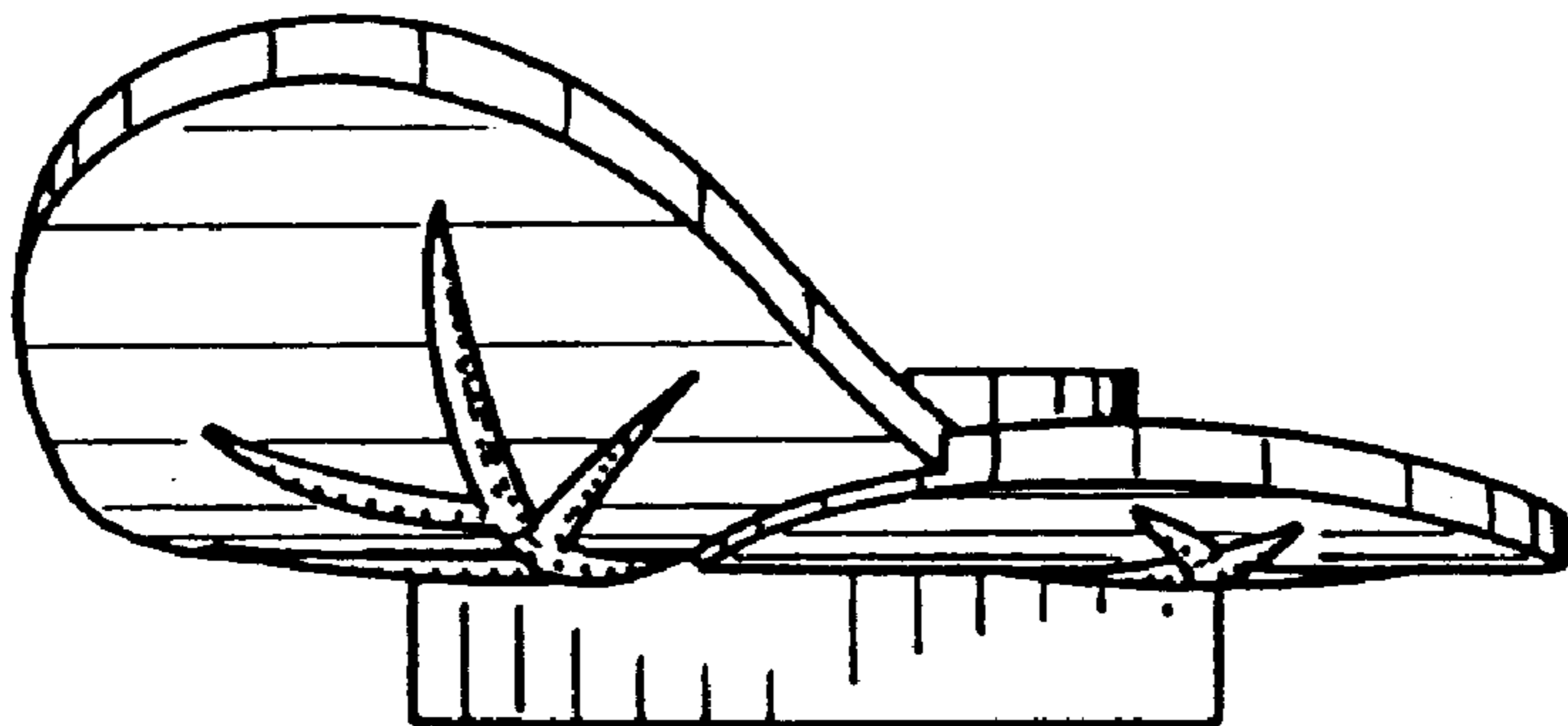


FIG. 5