



US00D420057S

United States Patent [19]
Colombo

[11] **Patent Number: Des. 420,057**
[45] **Date of Patent: ** Feb. 1, 2000**

[54] **MULTI-LEVEL GAME BOARD**
[76] Inventor: **Keith A. Colombo**, 100 Euston Ct.,
Royal Palm Bch, Fla. 33411
[**] Term: **14 Years**
[21] Appl. No.: **29/099,094**
[22] Filed: **Jan. 13, 1999**
[51] **LOC (7) Cl. 21-01**
[52] **U.S. Cl. D21/337**
[58] **Field of Search D21/334-368;**
273/236-288

D. 387,390 12/1997 Seiler D21/23
3,684,285 8/1972 Kane 273/241
5,085,440 2/1992 Van Dam 273/241
5,338,040 8/1994 Cutler 273/241

Primary Examiner—Sandra L. Morris
Attorney, Agent, or Firm—Bowen, Lhota & Firtell, P.A.

[57] **CLAIM**

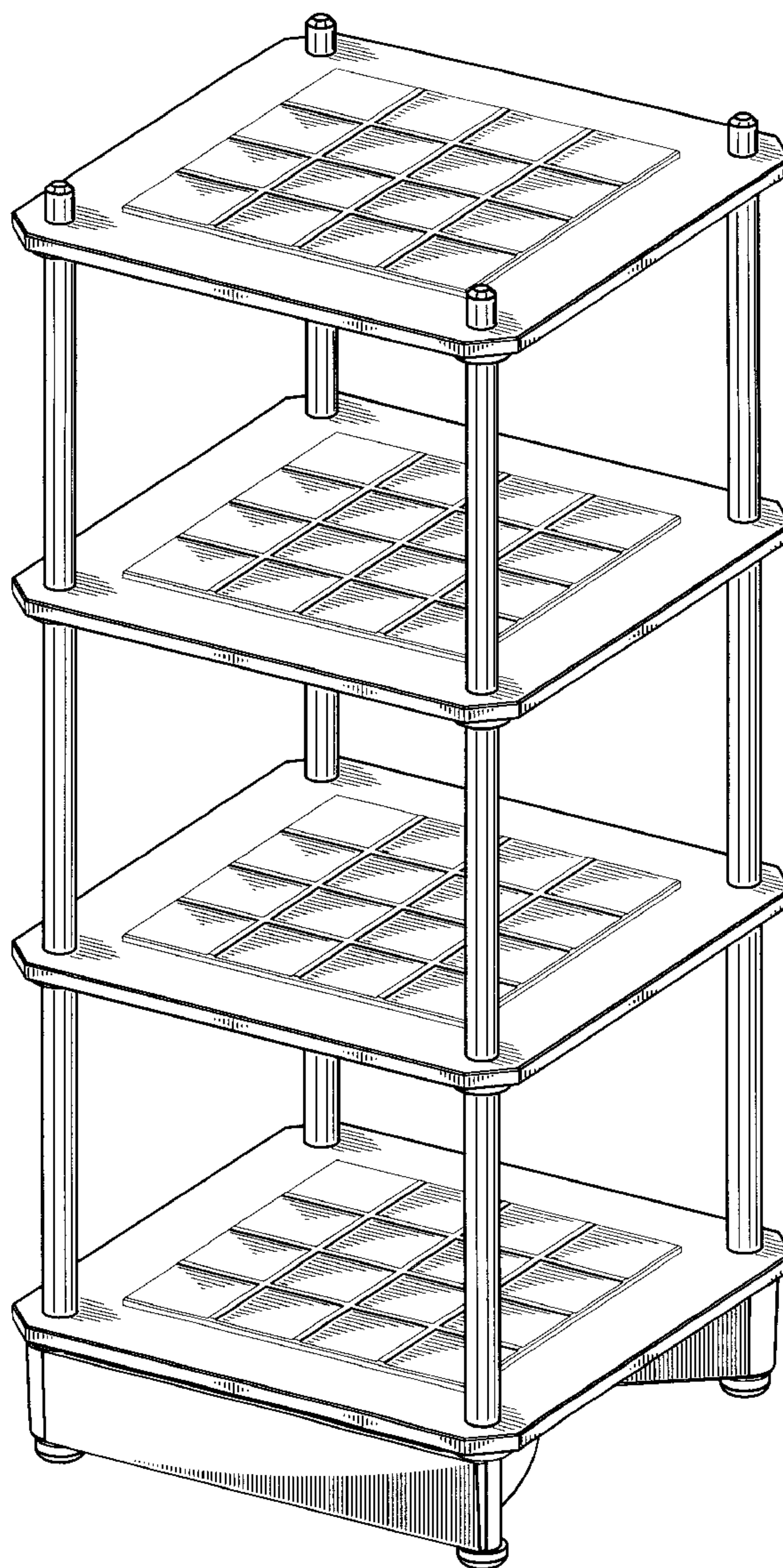
The ornamental design for a multi-level game board, as shown and described.

DESCRIPTION

FIG. 1 is a front perspective view of the multi-level game board, showing the new design;
FIG. 2 is a front view thereof;
FIG. 3 is a side view thereof;
FIG. 4 is a top view thereof; and,
FIG. 5 is a bottom view thereof.

[56] **References Cited**
U.S. PATENT DOCUMENTS
D. 296,798 7/1988 Smith D21/23
D. 348,488 7/1994 Overman D21/23
D. 355,447 2/1995 Crump D21/23

1 Claim, 4 Drawing Sheets



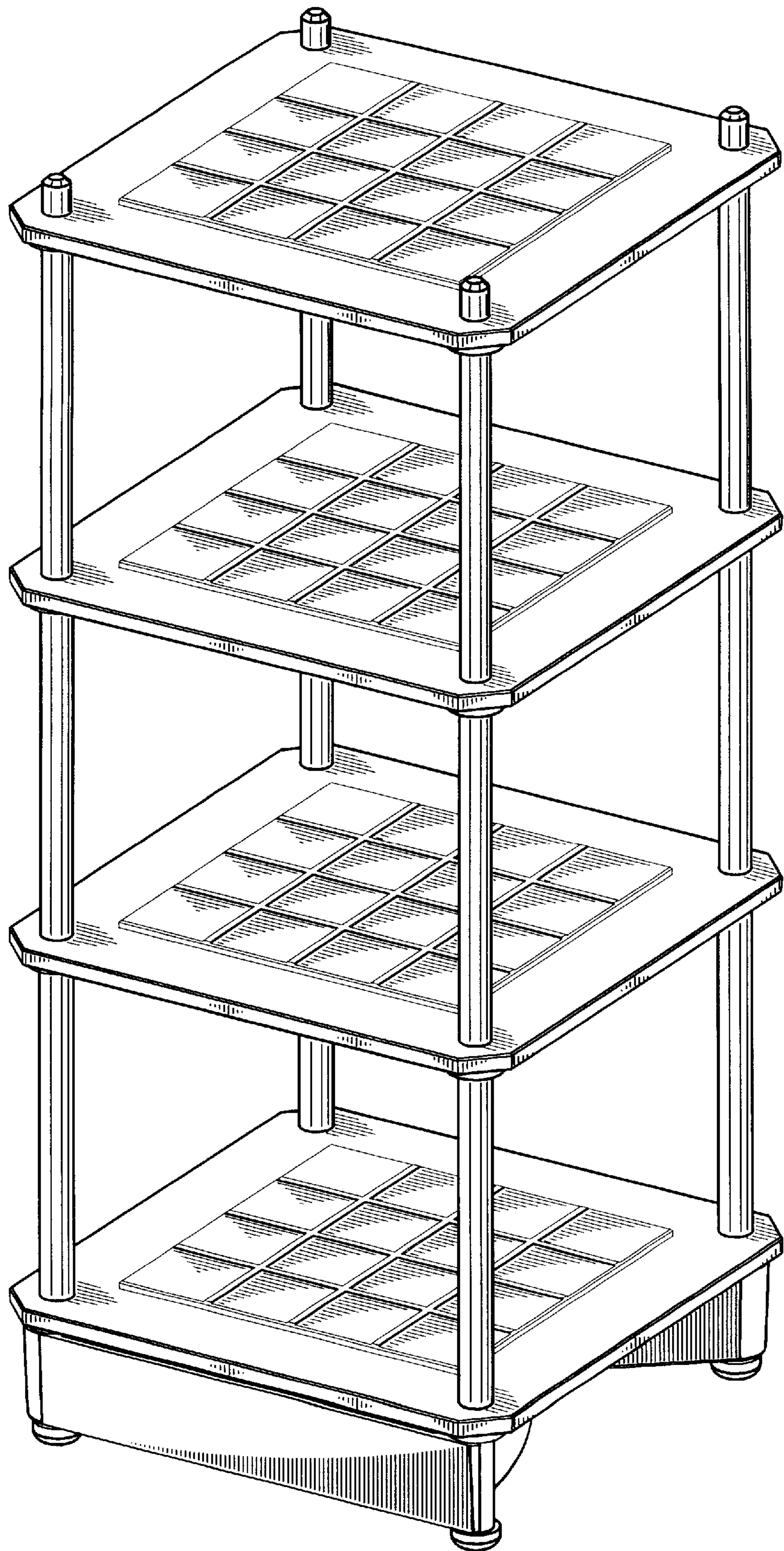


Fig. 1

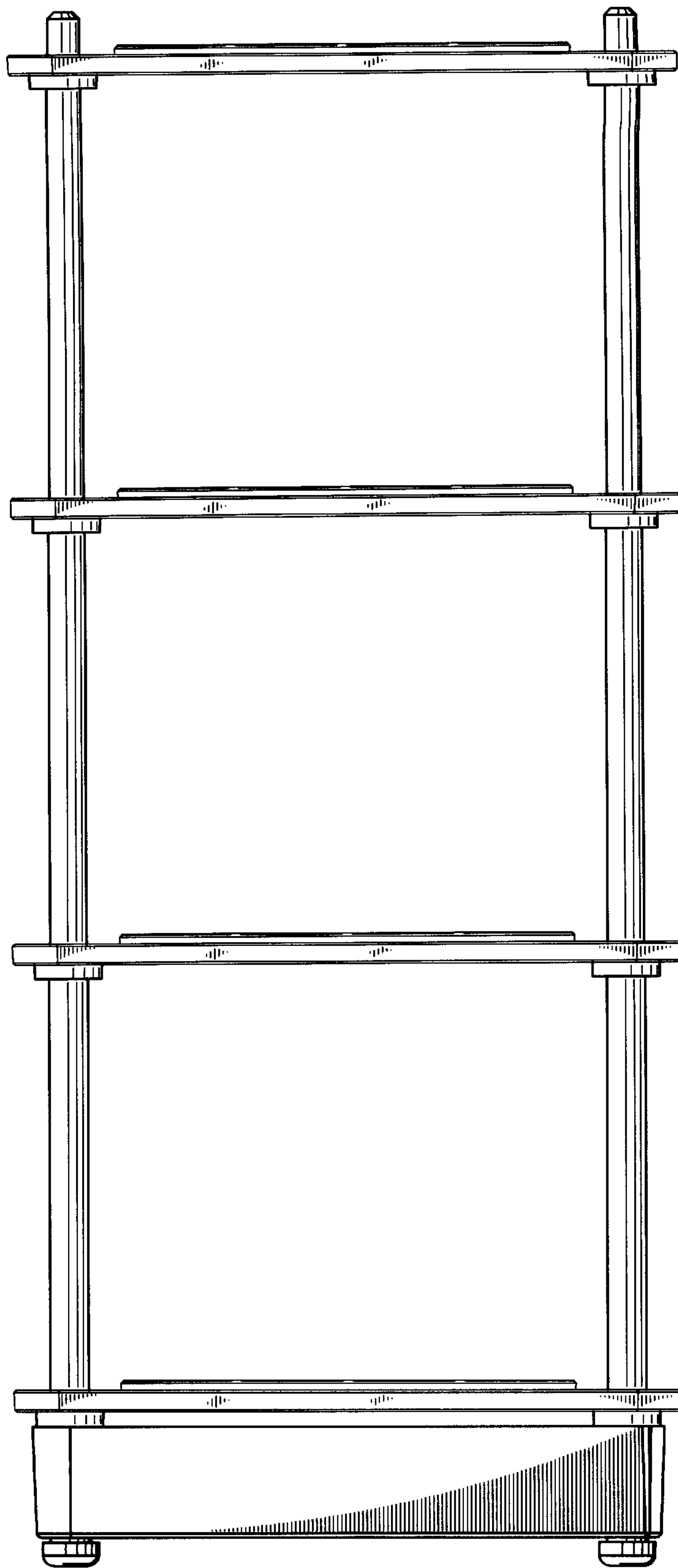


Fig. 2

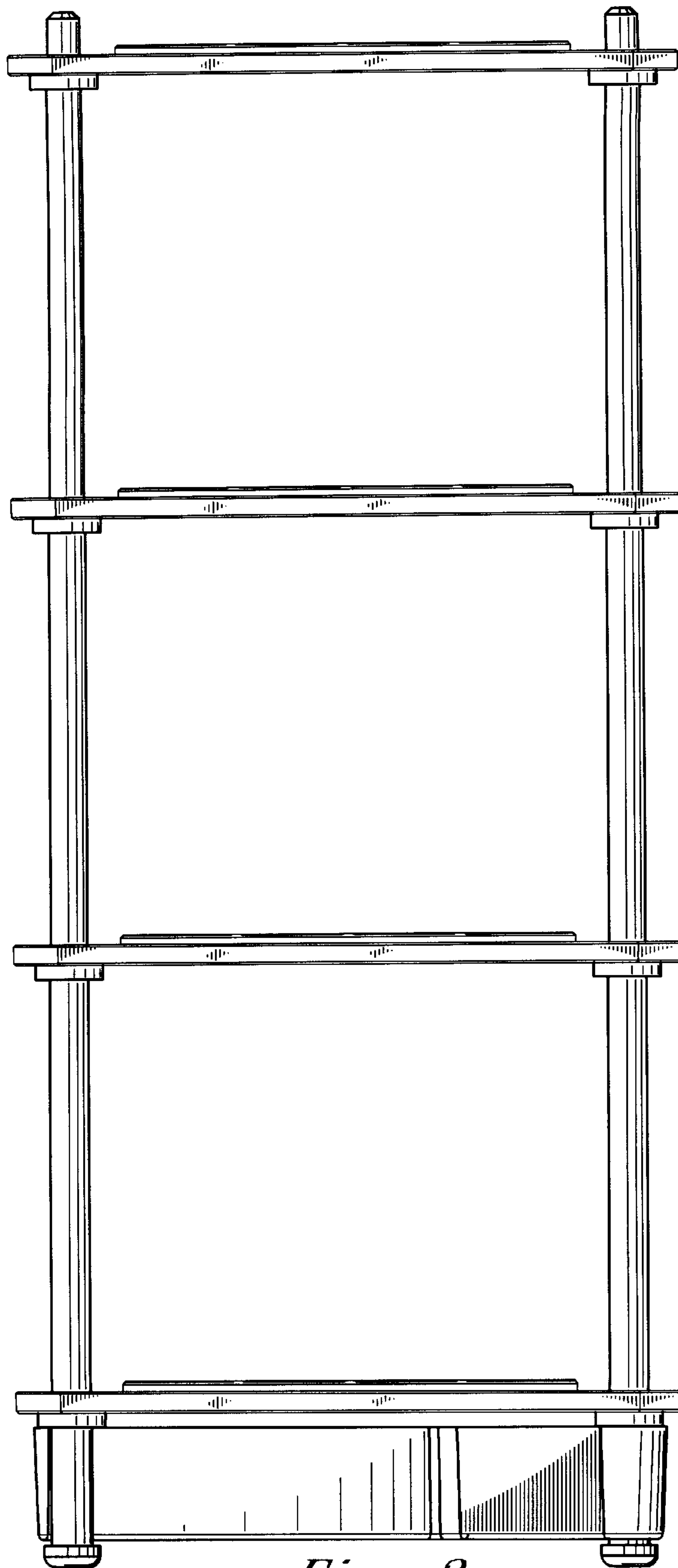


Fig. 3

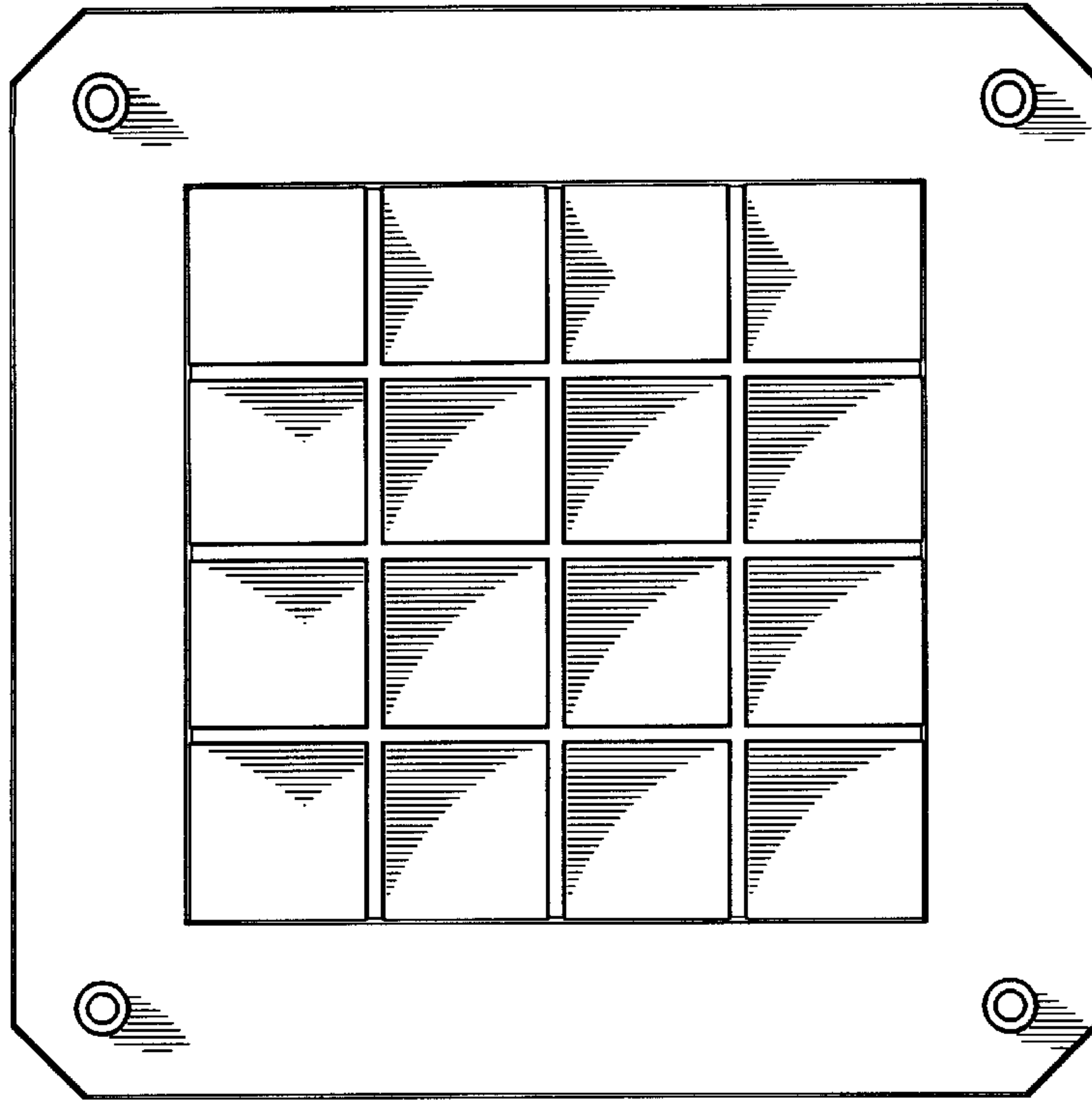


Fig. 4

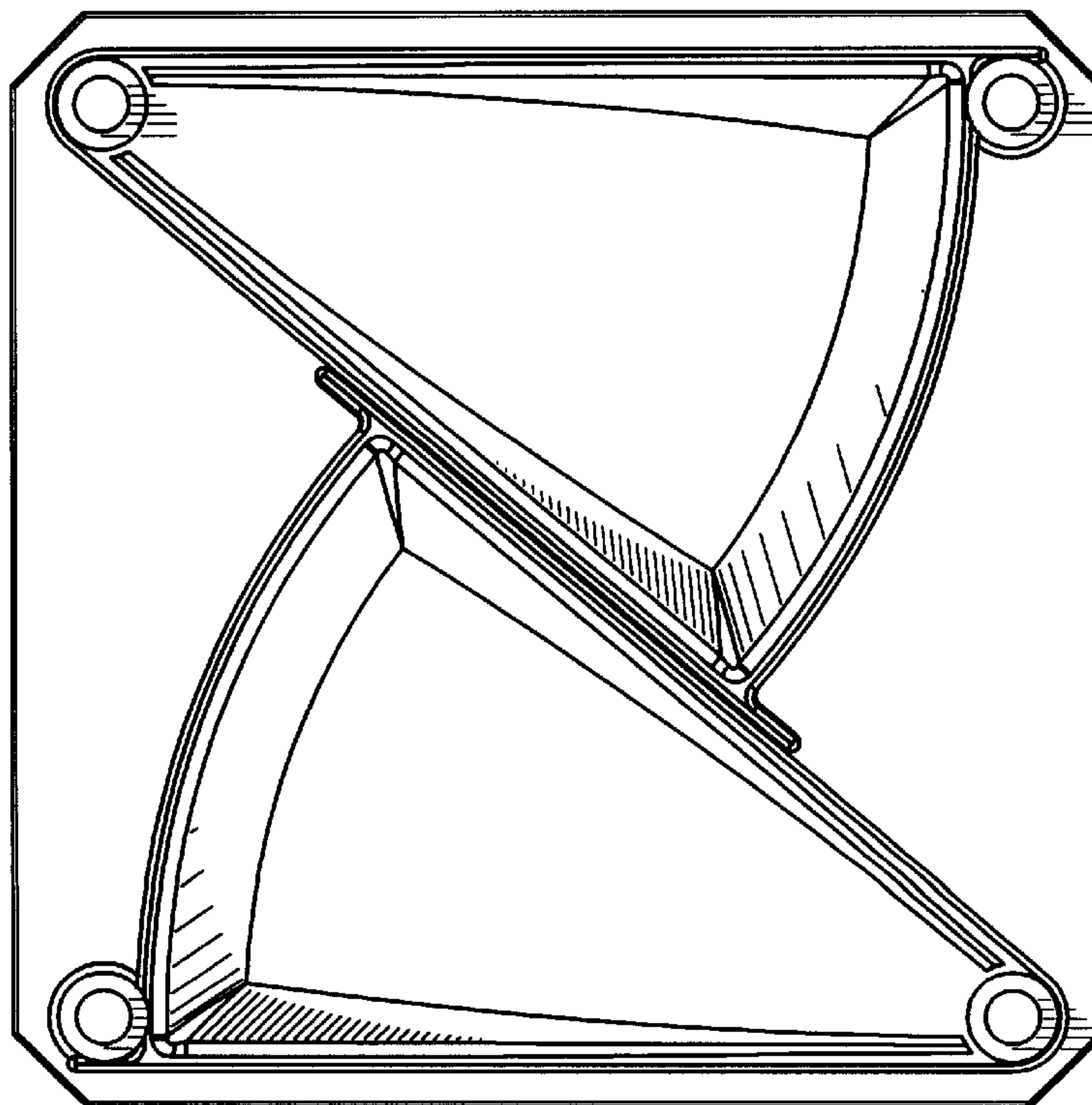


Fig. 5