



US00D420048S

# United States Patent [19]

Sims et al.

[11] Patent Number: **Des. 420,048**

[45] Date of Patent: **\*\* Feb. 1, 2000**

[54] **MOTORIZED ERASER**

3,254,629 6/1966 Dicorte ..... 15/3.53  
4,866,319 9/1989 Crutchfield ..... 15/3.53 X

[76] Inventors: **Anson Sims**, 12708 Daria Ave.,  
Granada Hills, Calif. 91344; **Richard  
May**, 816 Duncan Pl., Manhattan  
Beach, Calif. 90266

*Primary Examiner*—Martie K. Holtje  
*Attorney, Agent, or Firm*—Loeb & Loeb LLP; F. J.  
Far-hadian

[\*\*] Term: **14 Years**

### [57] CLAIM

[21] Appl. No.: **29/101,439**

The ornamental design for a motorized eraser, as shown and described.

[22] Filed: **Mar. 4, 1999**

### DESCRIPTION

[51] **LOC (7) Cl.** ..... **19-06**

FIG. 1 is a front perspective view of a motorized eraser showing our new design;

[52] **U.S. Cl.** ..... **D19/53; D19/51; D19/56**

FIG. 2 is a right side elevational view thereof, the left side elevational view being a mirror image thereof;

[58] **Field of Search** ..... D19/35, 36, 41-51,

D19/53, 54-58, 81-85; 15/3.53; D8/61,  
62

FIG. 3 is a front elevational view;

FIG. 4 is an end elevational view;

### [56] References Cited

#### U.S. PATENT DOCUMENTS

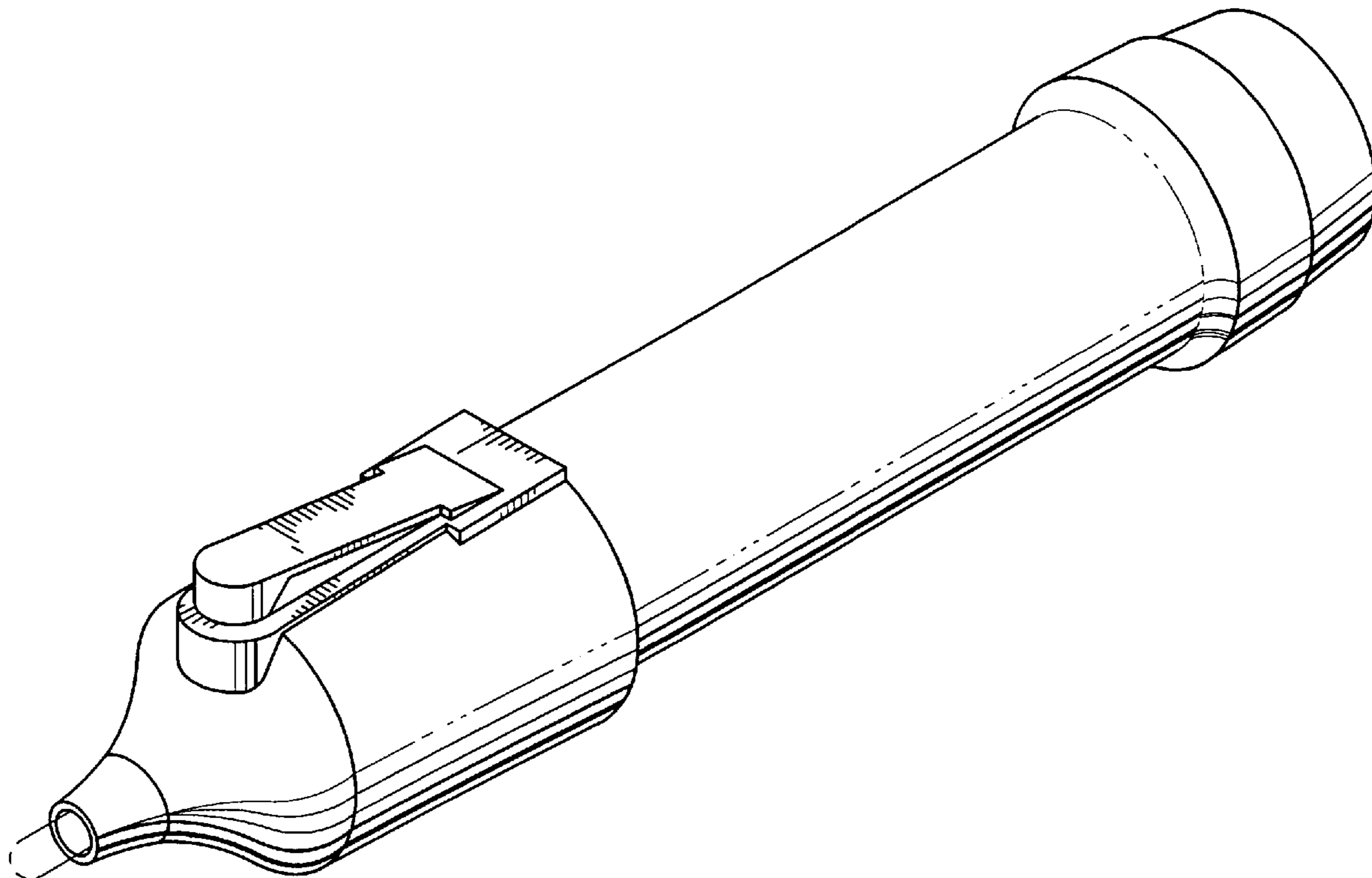
- D. 264,547 5/1982 Watson ..... D19/53 X
- D. 324,699 3/1992 Ohashi ..... D19/53
- D. 332,624 1/1993 Hollowood ..... D19/43 X
- 2,079,356 5/1937 Lukowski ..... 15/3.53
- 2,487,903 11/1949 Sturzenegger ..... 15/3.53

FIG. 5 is an end elevational view opposite that in FIG. 4; and,

FIG. 6 is a rear elevational view thereof.

The eraser portion depicted by means of broken lines in FIGS. 1, 2, 3, and 6 has been shown for illustrative purposes only and forms no part of the claimed design.

**1 Claim, 2 Drawing Sheets**



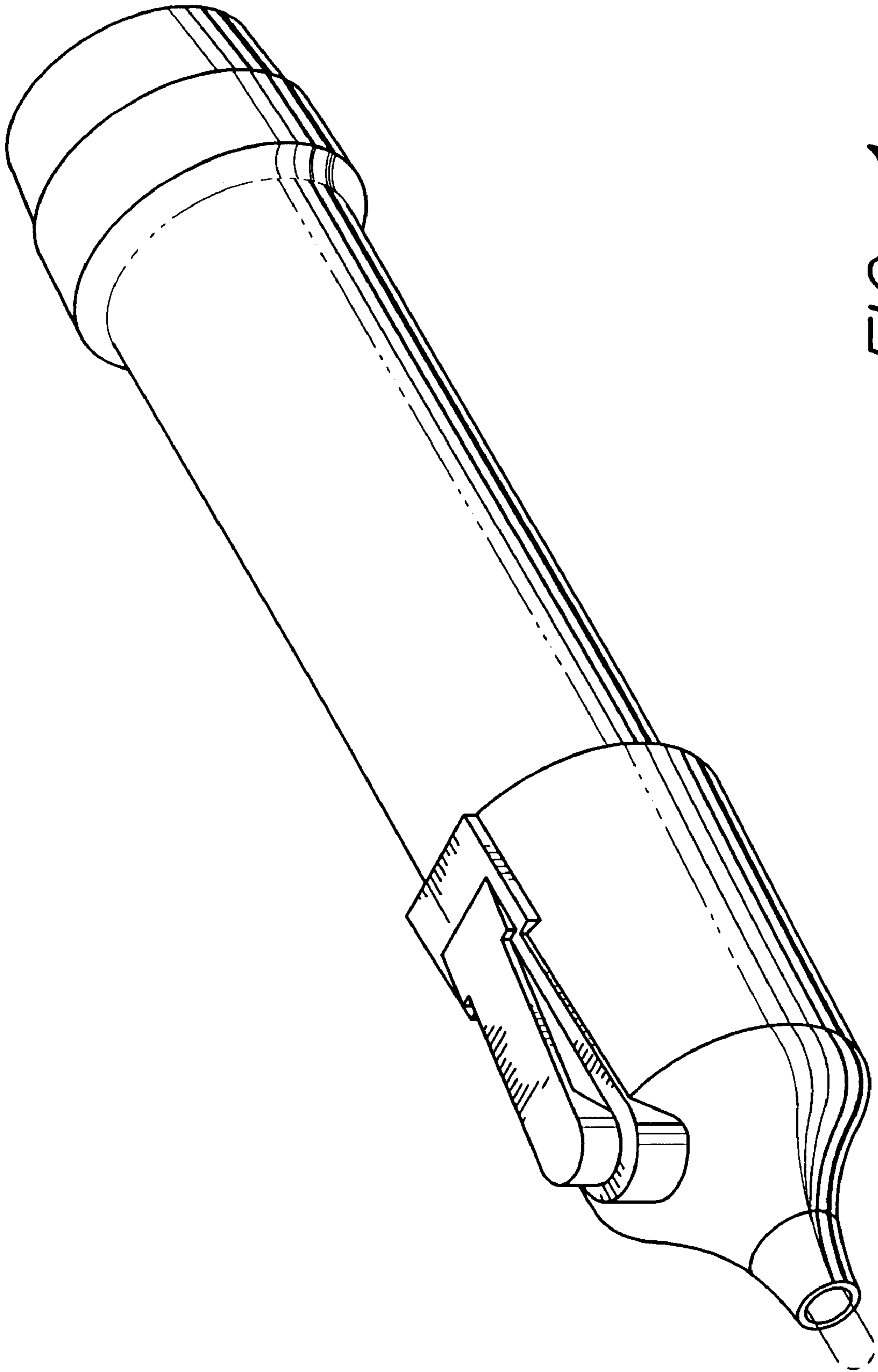


FIG. 1

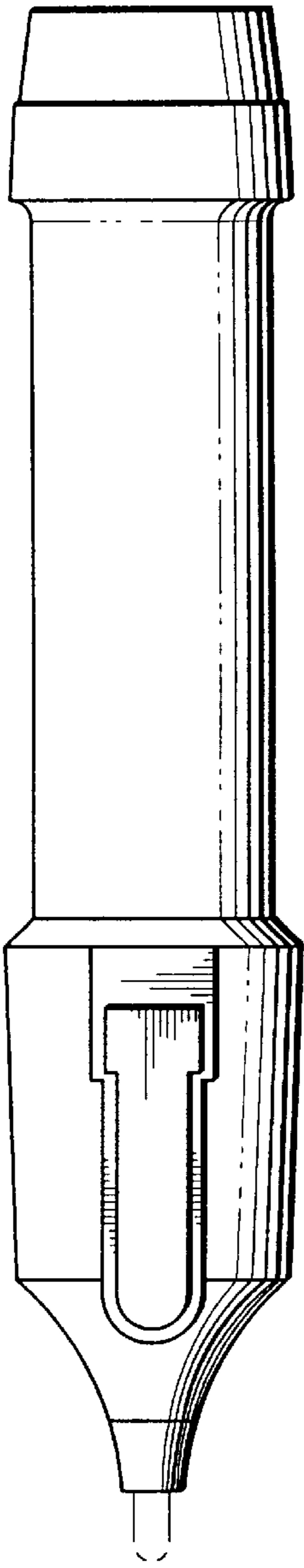


FIG. 3

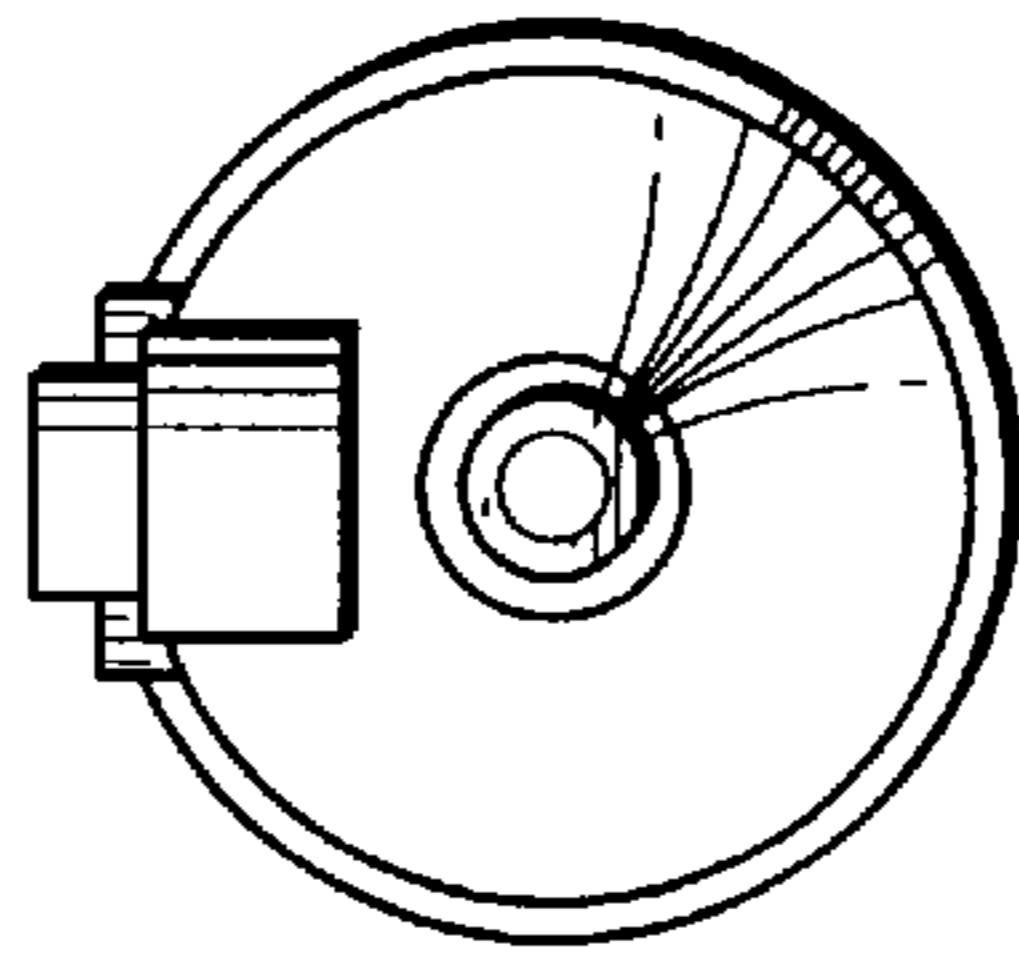


FIG. 4

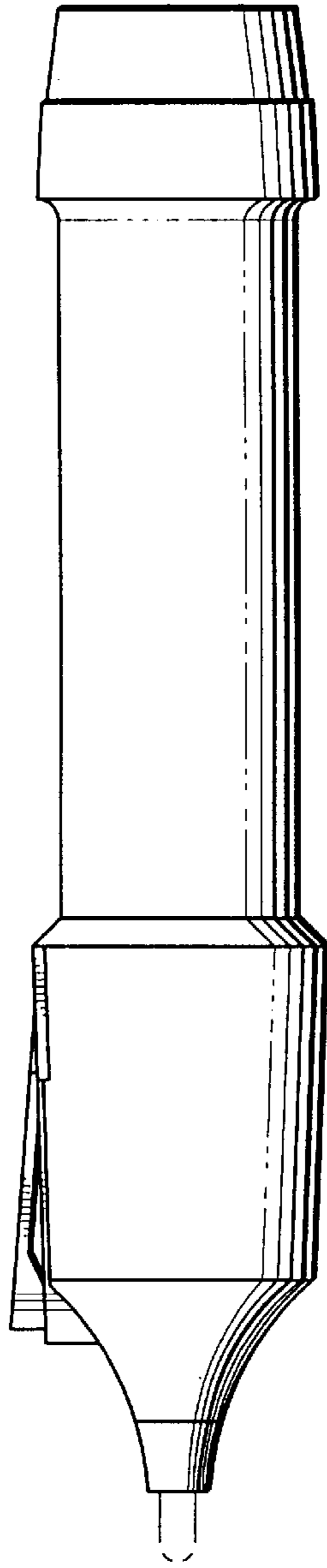


FIG. 2

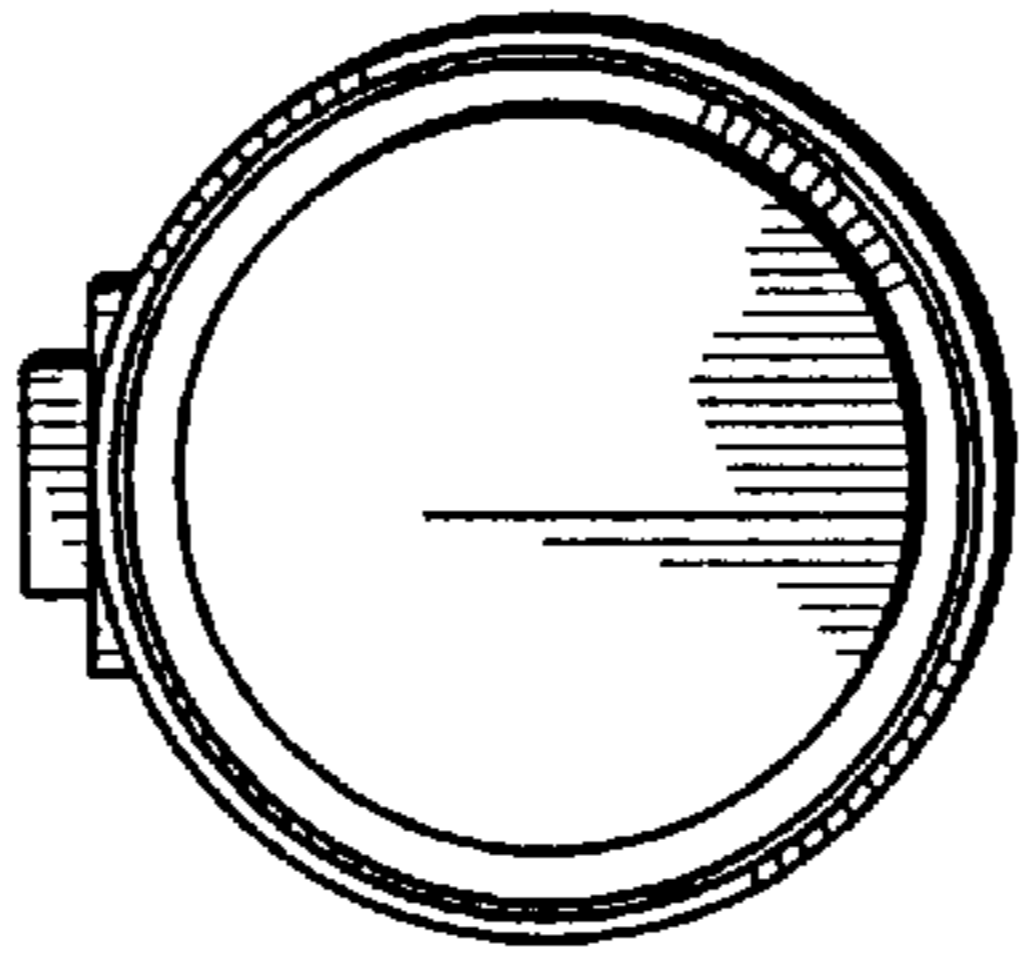


FIG. 5

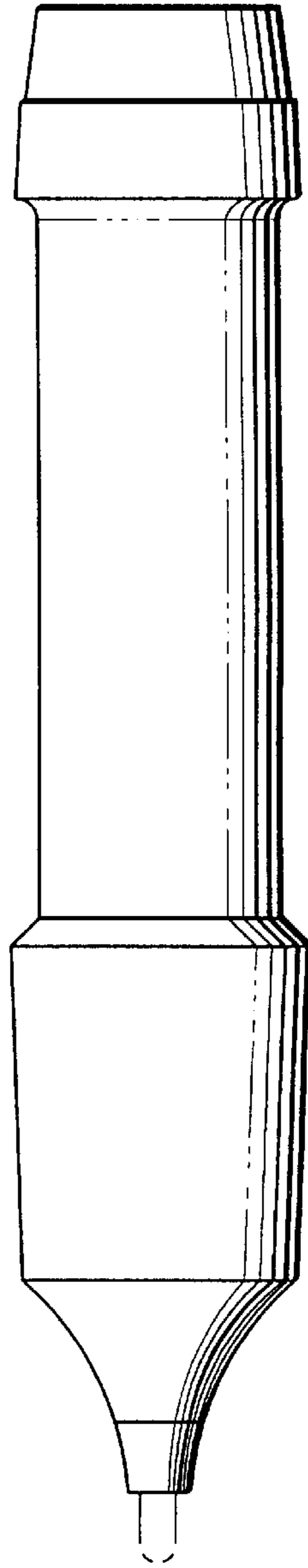


FIG. 6