



US00D420042S

United States Patent [19]

[11] **Patent Number: Des. 420,042**

Kawashima et al.

[45] **Date of Patent: ** Feb. 1, 2000**

[54] **CLEANING MEMBER FOR FIXING ROLLER
IN AN IMAGE FORMING APPARATUS**

Primary Examiner—Louis S. Zarfes

Assistant Examiner—G. Andll

[75] Inventors: **Tomomichi Kawashima; Shuho
Yokokawa; Kunitomo Takahashi;
Tsukasa Onose; Hiroshi Hakuta**, all of
Ibaraki, Japan

Attorney, Agent, or Firm—Sughrue, Mion, Zinn, Macpeak
& Seas, PLLC

[73] Assignee: **Hitachi Koki Co., Ltd.**, Ibaraki, Japan

[57] **CLAIM**

[**] Term: **14 Years**

The ornamental design for a cleaning member for fixing
roller in an image forming apparatus, as shown and
described.

[21] Appl. No.: **29/081,131**

DESCRIPTION

[22] Filed: **Dec. 23, 1997**

FIG. 1 is a perspective view of the top, front and right side
of a cleaning member for fixing roller showing our new
design;

[30] **Foreign Application Priority Data**

Jun. 27, 1997 [JP] Japan 9-59717

FIG. 2 is a top plan view thereof;

[51] **LOC (7) Cl.** **16-03**

FIG. 3 is a front elevational view thereof;

[52] **U.S. Cl.** **D18/40; D18/56; D18/99**

FIG. 4 is a left side elevational view thereof;

[58] **Field of Search** D18/56, 99, 40,
D18/43, 36; 399/327

FIG. 5 is a right side elevational view thereof;

FIG. 6 is a rear elevational view thereof;

FIG. 7 is a bottom plan view thereof;

FIG. 8 is a perspective view of the top, front and right side
showing a second embodiment of our new design; and,
FIG. 9 is a perspective view of the top, front and right side
showing a third embodiment of our new design.

[56] **References Cited**

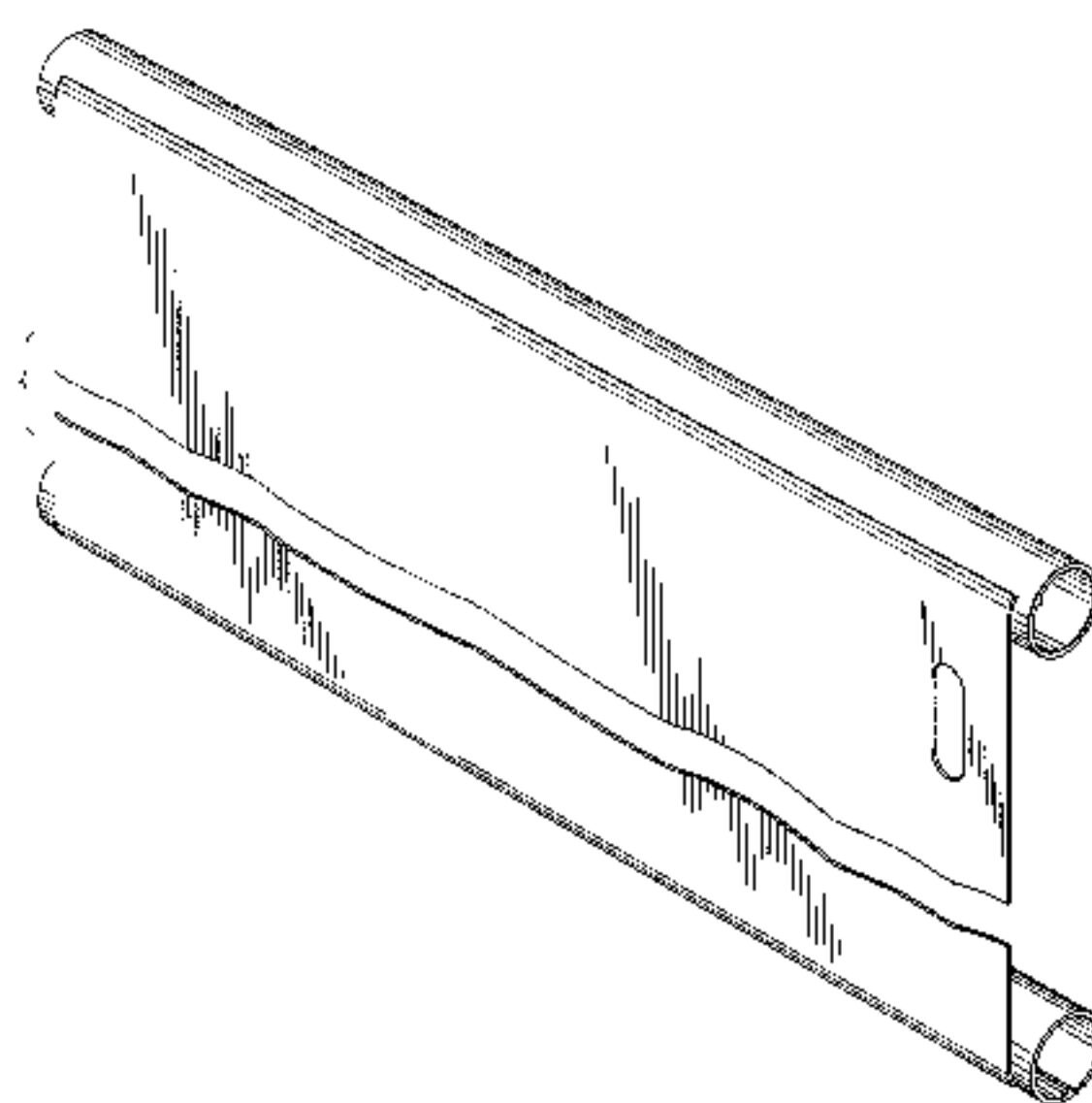
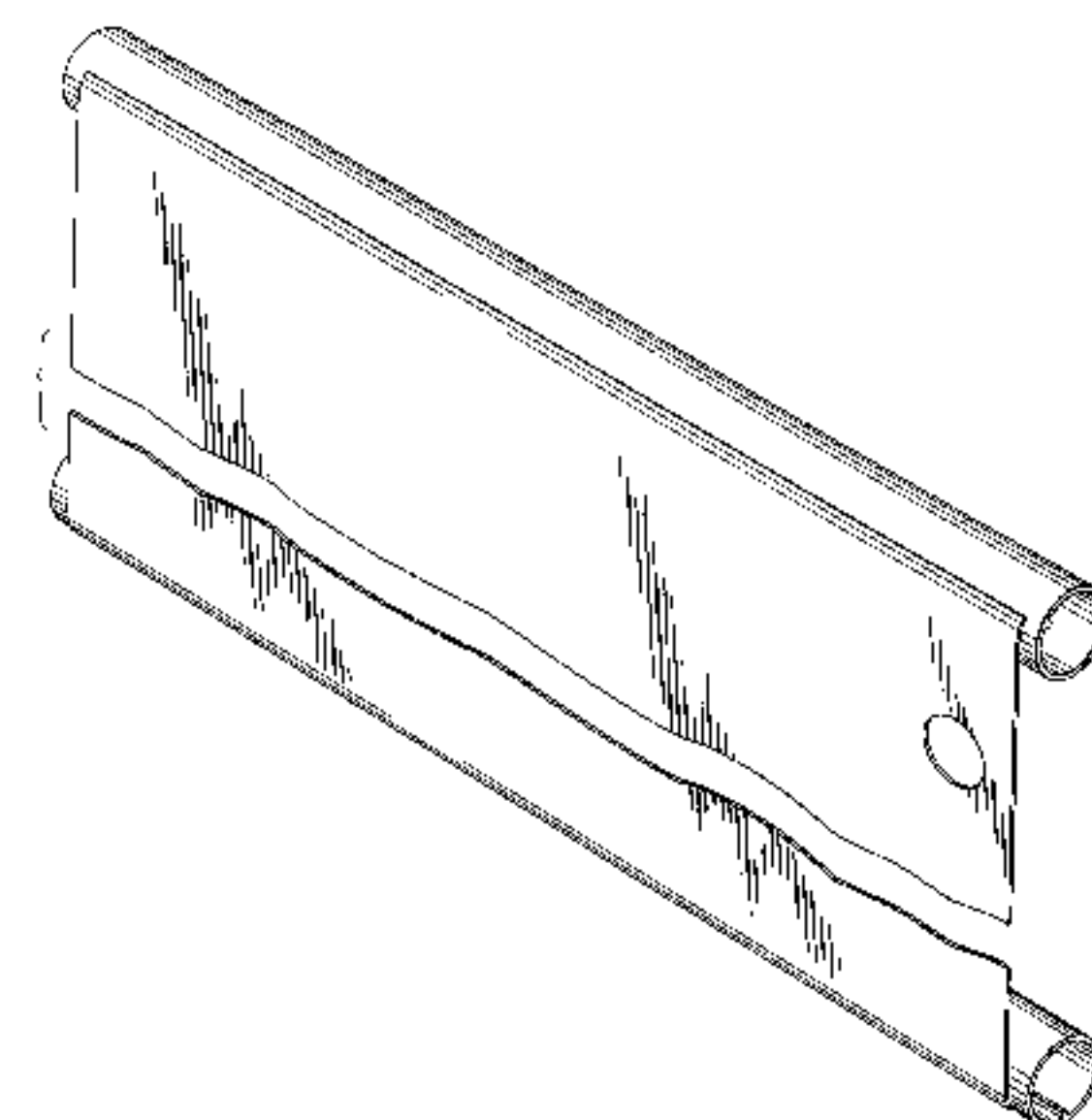
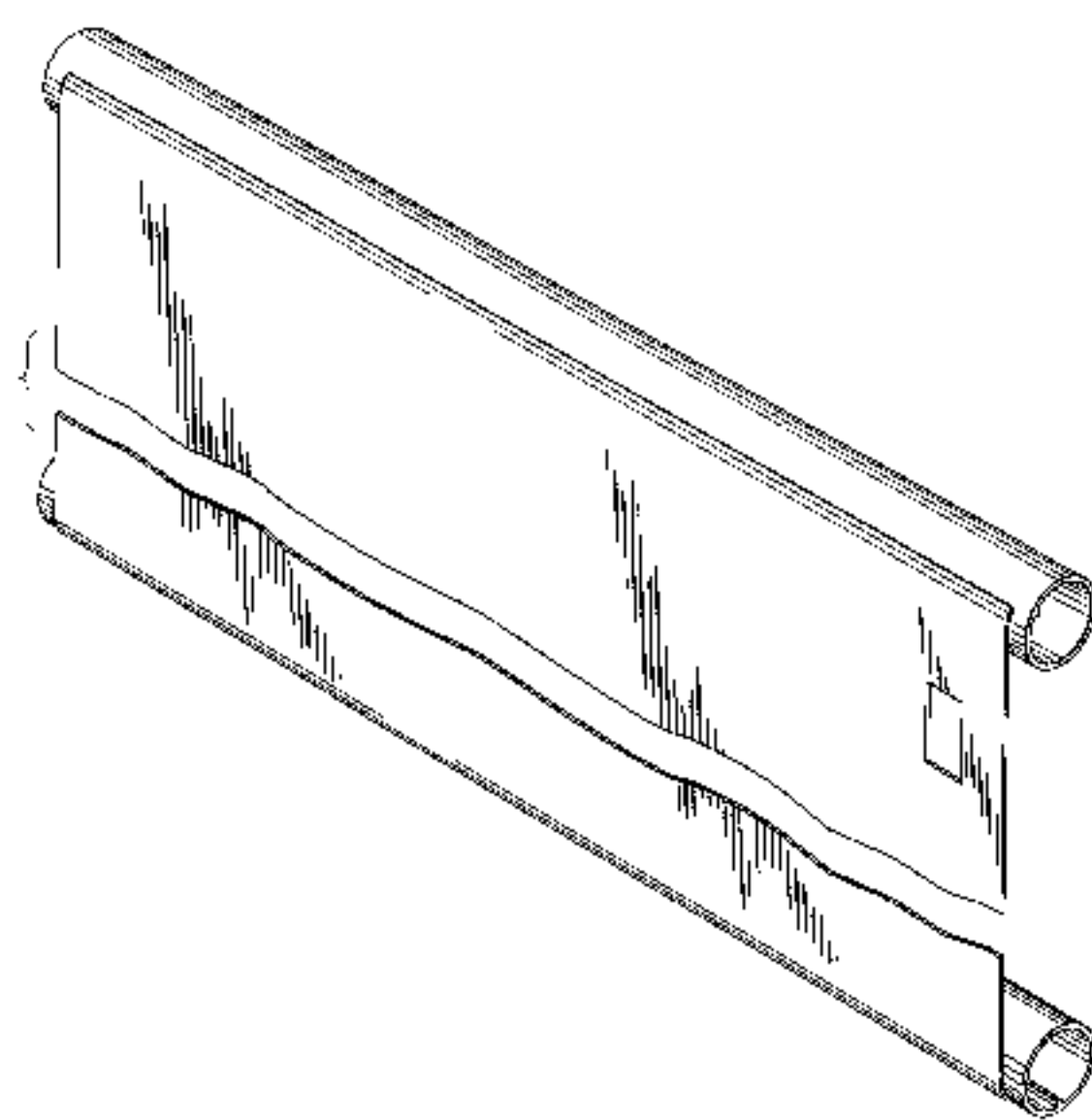
U.S. PATENT DOCUMENTS

D. 375,118	10/1996	Ishikawa et al.	D18/40
D. 375,361	11/1996	Osterby et al.	D24/181
D. 389,512	1/1998	Kouzai et al.	D18/56
D. 397,142	8/1998	Hammill et al.	D18/56
3,649,992	3/1972	Thettu	399/327
5,903,809	5/1999	Tomatsu	399/327

The top, front, left, right, rear and bottom elevational views
of the second and third embodiments are identical to FIGS.
2–7, respectively, save for the shape of the aperture.

The broken away showing in FIGS. 1, 3, 4, 5, 6, 8 and 9
indicate that the cleaning member for fixing roller in an
image forming apparatus of indeterminate length.

1 Claim, 6 Drawing Sheets



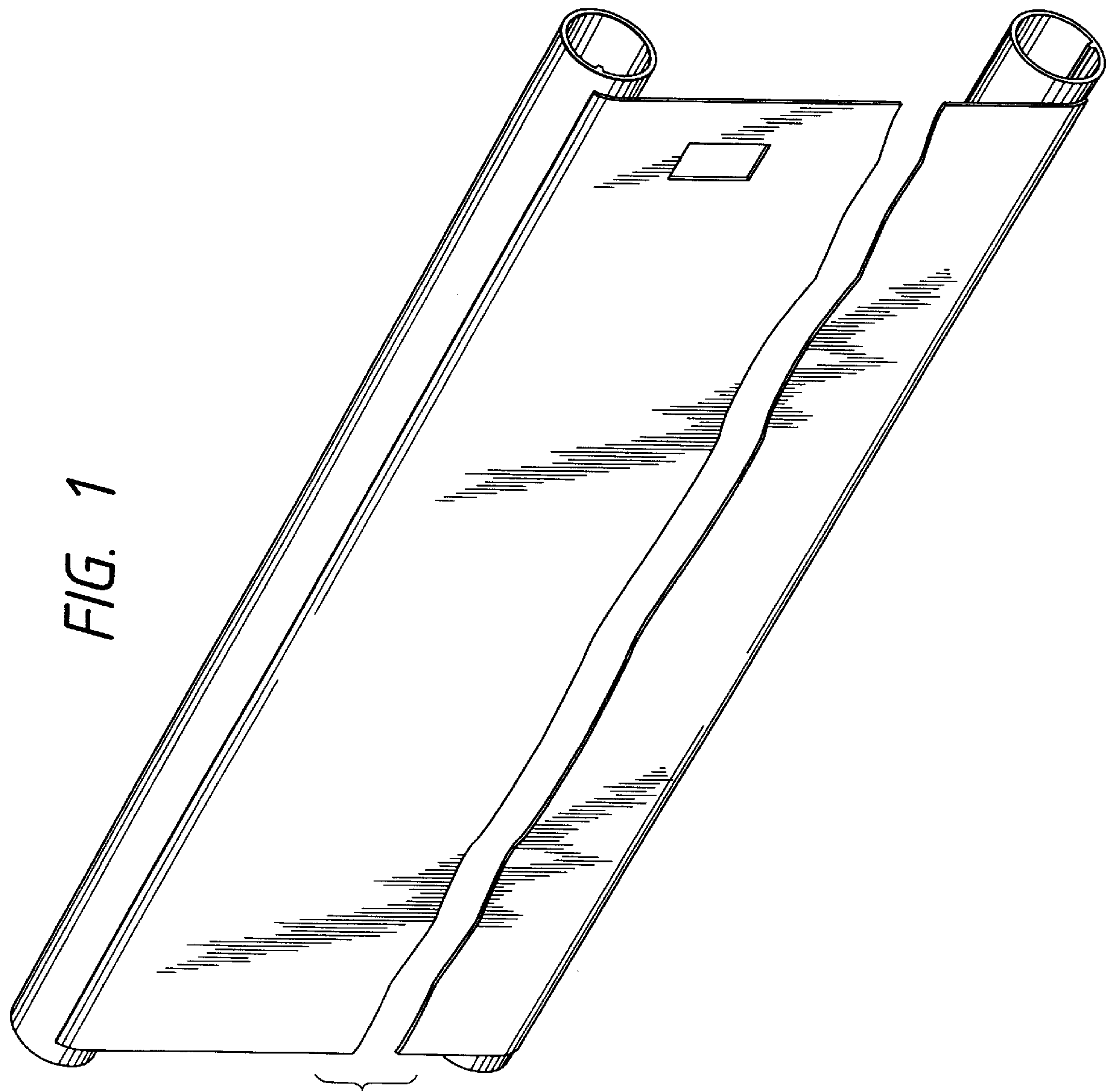


FIG. 2

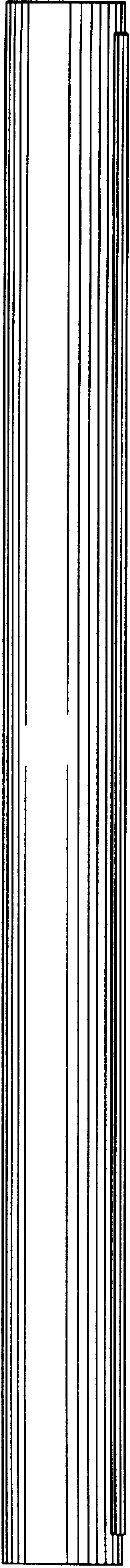


FIG. 3

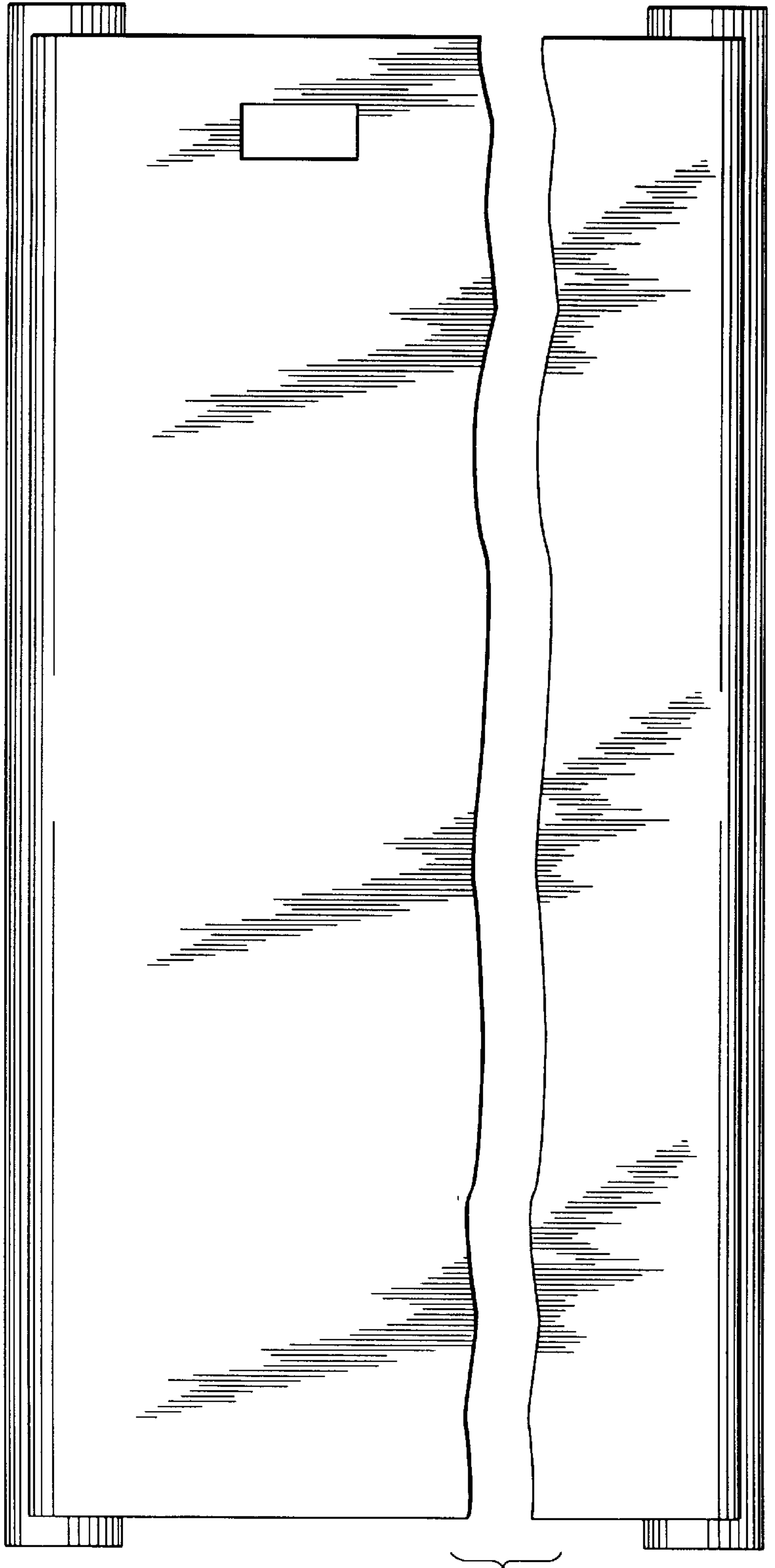


FIG. 4

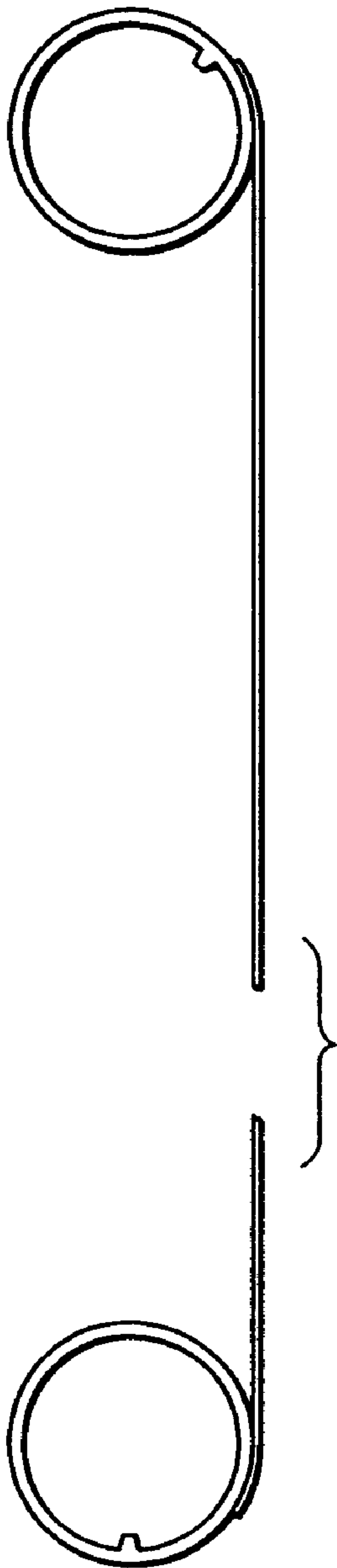


FIG. 5

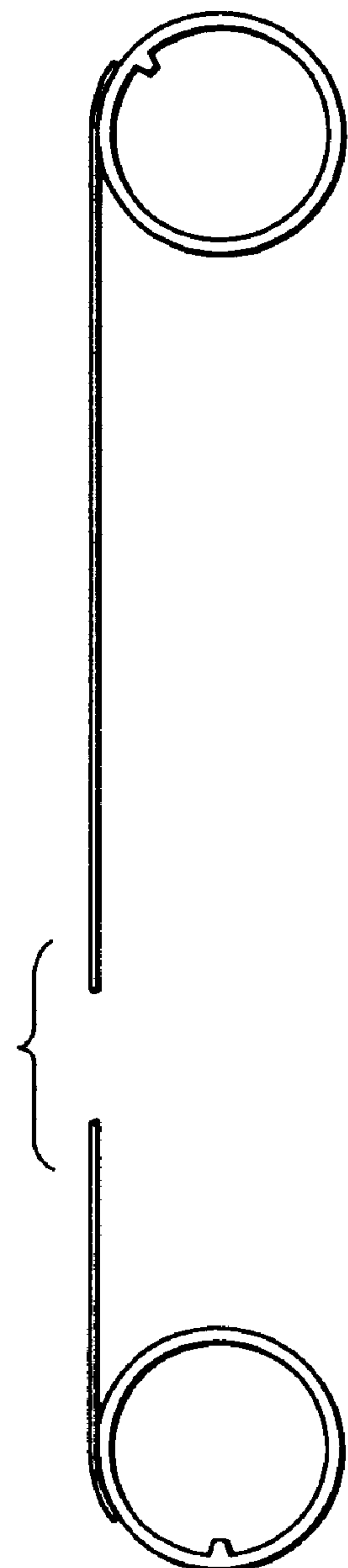


FIG. 6

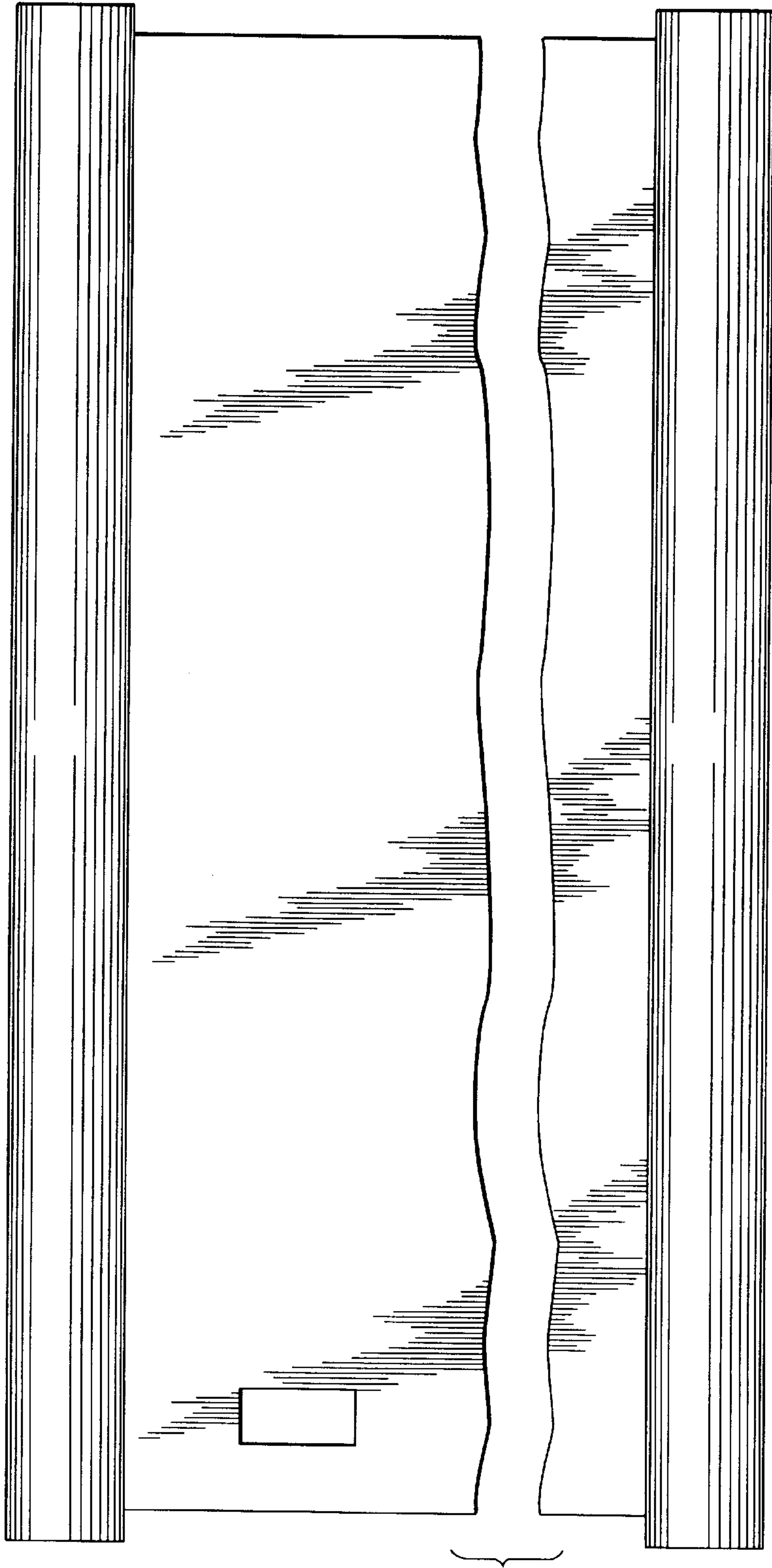
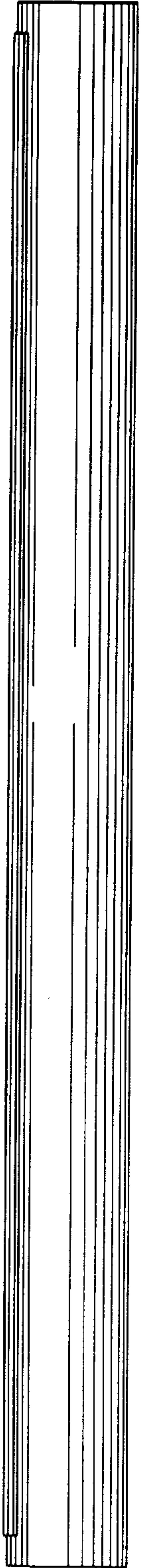


FIG. 7



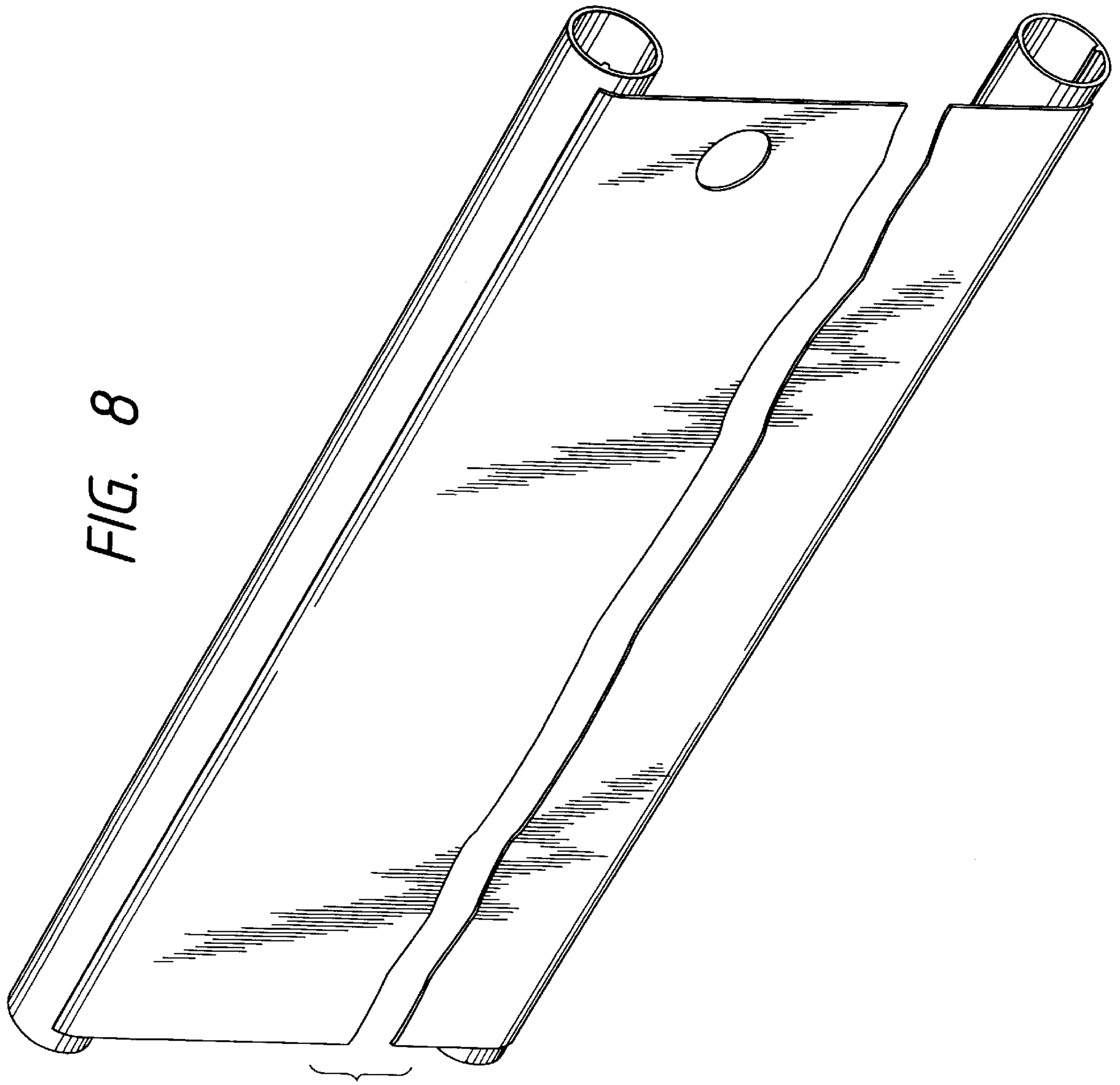


FIG. 8

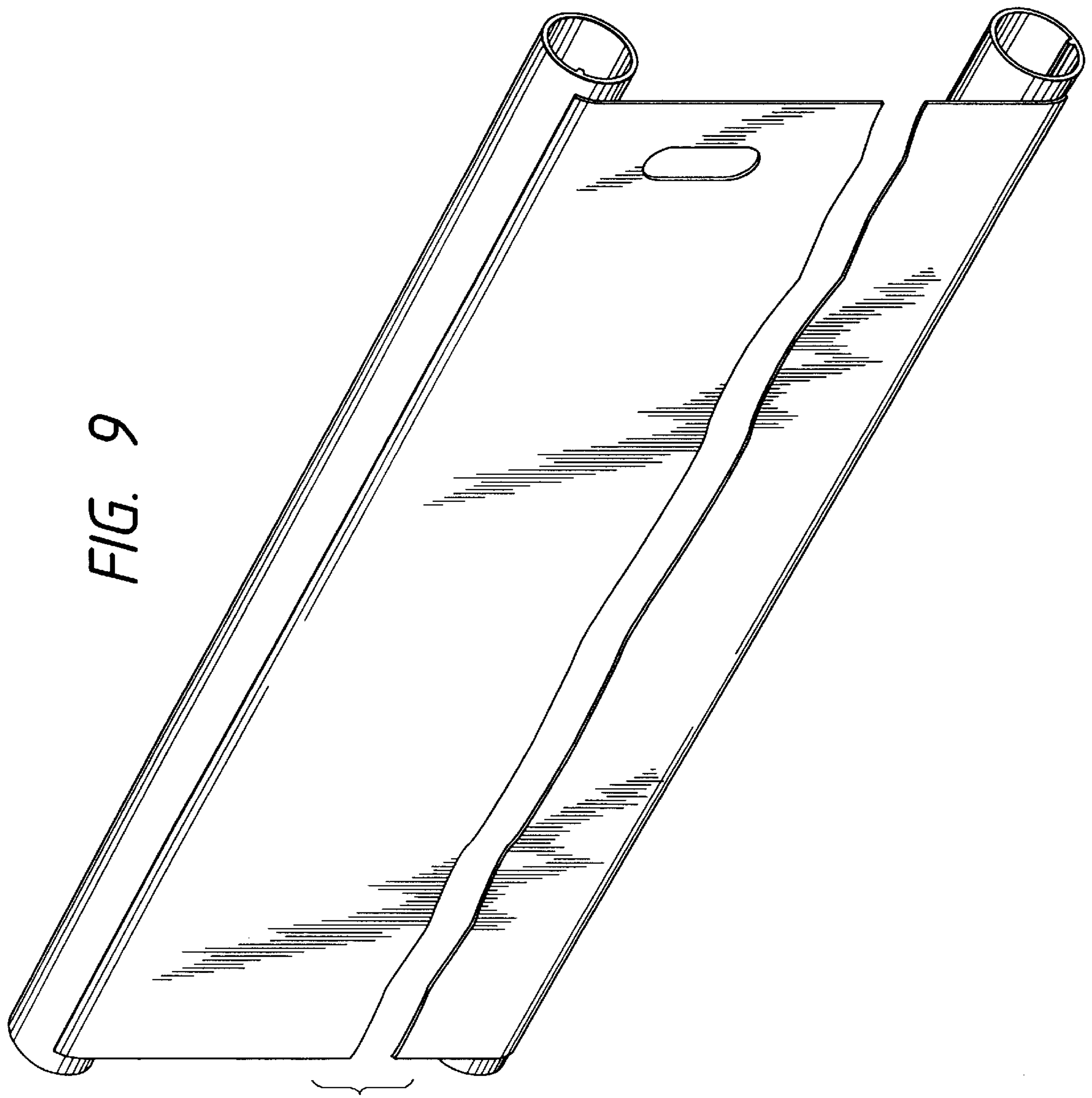


FIG. 9