



US00D420040S

# United States Patent [19]

Mizusugi et al.

[11] Patent Number: **Des. 420,040**

[45] Date of Patent: **\*\* Feb. 1, 2000**

[54] **CASH REGISTER**

[75] Inventors: **Kanji Mizusugi**, Mie-ken; **Takamitsu Morisaki**, Kyoto-fu, both of Japan

[73] Assignee: **Sharp Kabushiki Kaisha**, Osaka, Japan

[\*\*] Term: **14 Years**

[21] Appl. No.: **29/097,853**

[22] Filed: **Dec. 16, 1998**

### [30] Foreign Application Priority Data

Jul. 16, 1998 [JP] Japan ..... 10-20771

[51] **LOC (7) Cl.** ..... **18-01**

[52] **U.S. Cl.** ..... **D18/4**

[58] **Field of Search** ..... D18/4, 6, 7, 11;  
D14/100, 105, 106, 113, 114, 115; 235/1 D,  
1 E, 2, 4, 7 R, 10, 145, 375, 380, 419;  
364/404, 405

### [56] References Cited

#### U.S. PATENT DOCUMENTS

D. 333,147 2/1993 Miyake et al. .... D18/4  
D. 353,613 12/1994 Miyake et al. .... D18/4

D. 354,977 1/1995 Miyake et al. .... D18/4  
D. 361,757 8/1995 Mizusugi et al. .... D14/105  
D. 362,427 9/1995 Mizusugi et al. .... D14/105  
D. 372,042 7/1996 Mizusugi et al. .... D18/4  
D. 372,043 7/1996 Hokazono ..... D18/4  
D. 379,366 5/1997 Hokazono ..... D18/4  
D. 389,466 1/1998 Nakao et al. .... D14/105  
D. 391,601 3/1998 Kanaoka ..... D18/4

*Primary Examiner*—Caron D. Veynar  
*Attorney, Agent, or Firm*—Nixon & Vanderhye

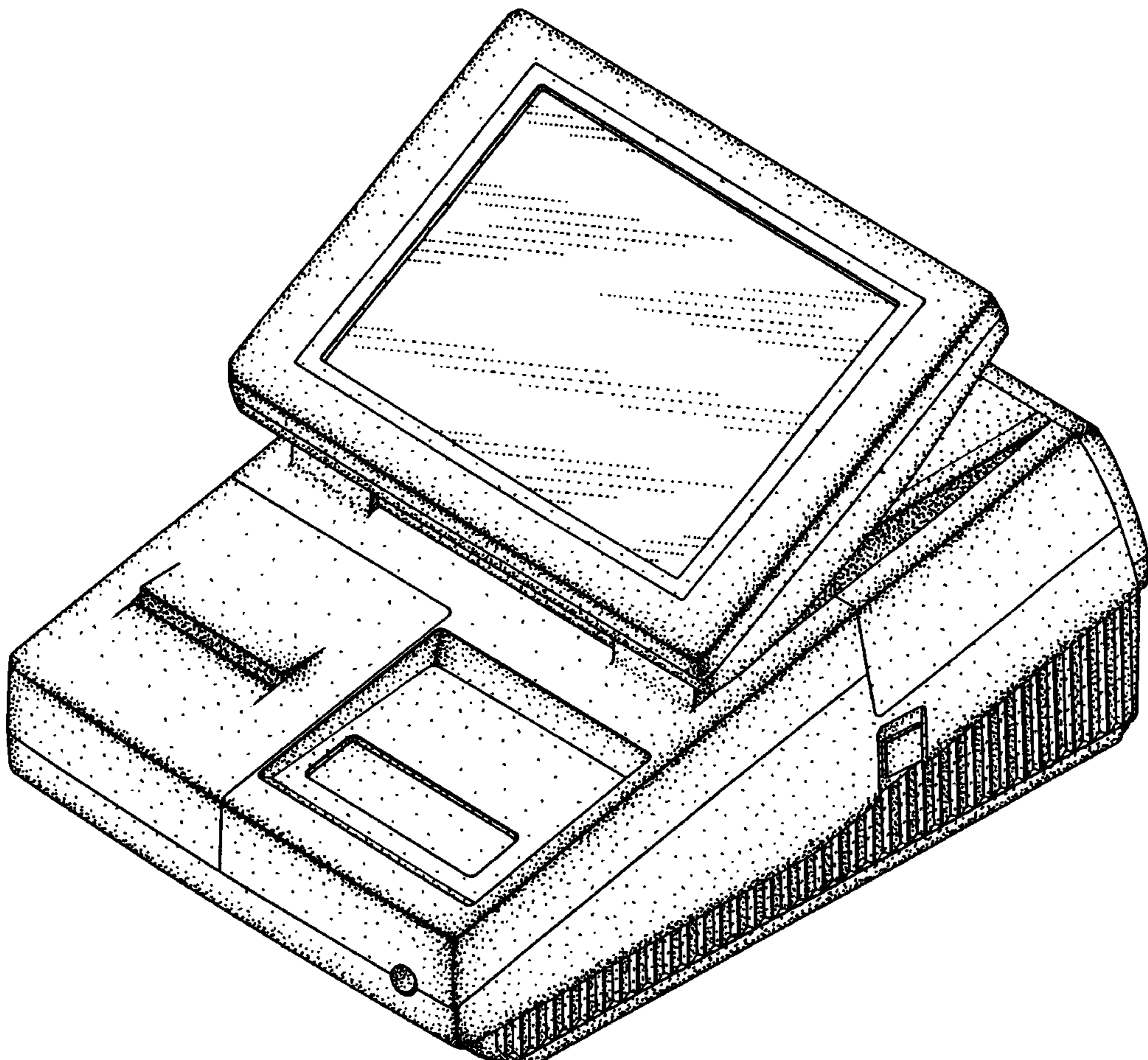
### [57] CLAIM

The ornamental design for a “cash register,” as shown and described.

### DESCRIPTION

FIG. 1 is a top, front and right side perspective view of a cash register according to our design;  
FIG. 2 is a front elevational view thereof;  
FIG. 3 is a rear elevational view thereof;  
FIG. 4 is a top plan view thereof;  
FIG. 5 is a bottom plan view thereof;  
FIG. 6 is a right side elevational view thereof; and,  
FIG. 7 is a left side elevational view thereof.

**1 Claim, 7 Drawing Sheets**



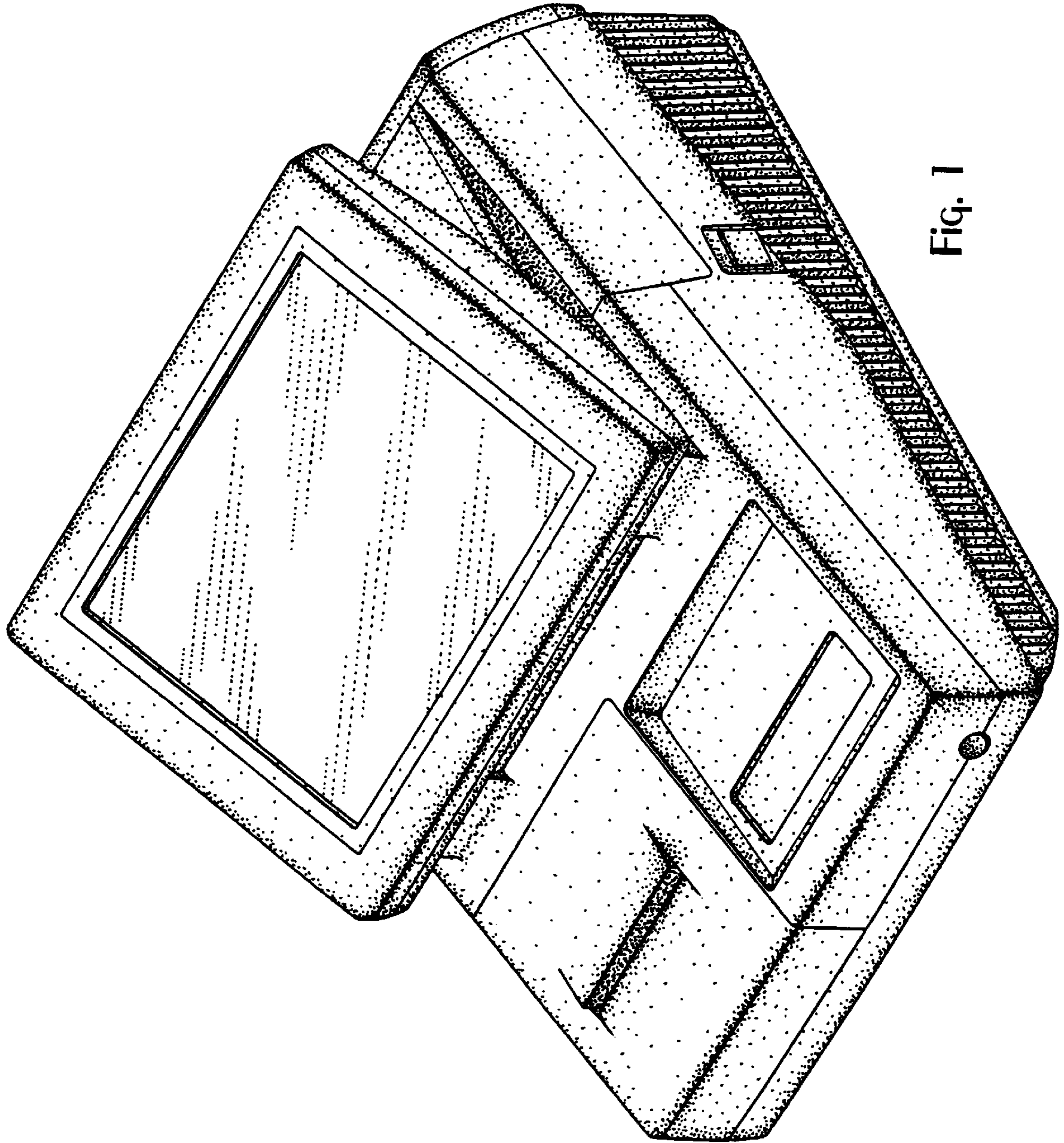


Fig. 1

Fig. 2

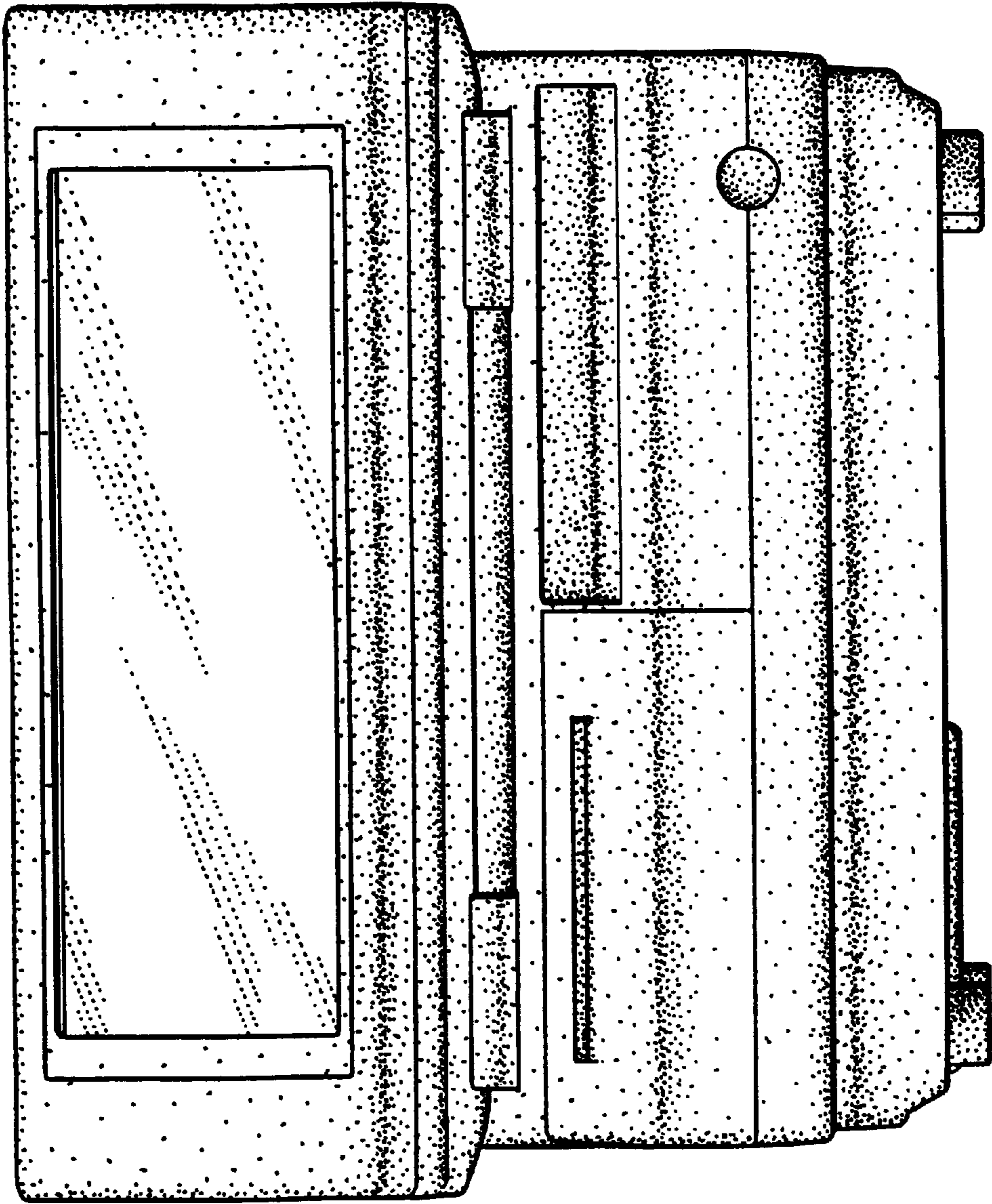


Fig. 3

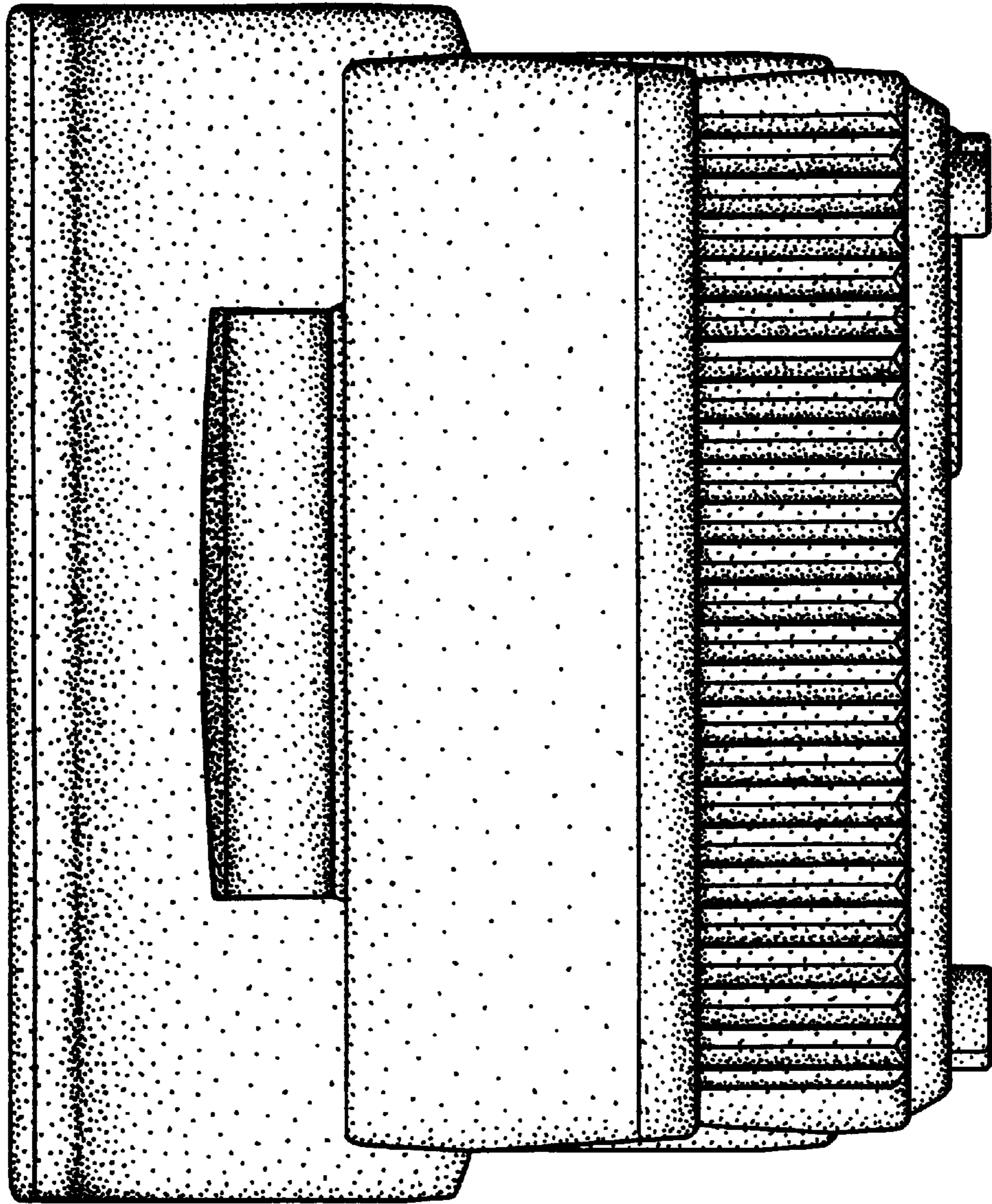
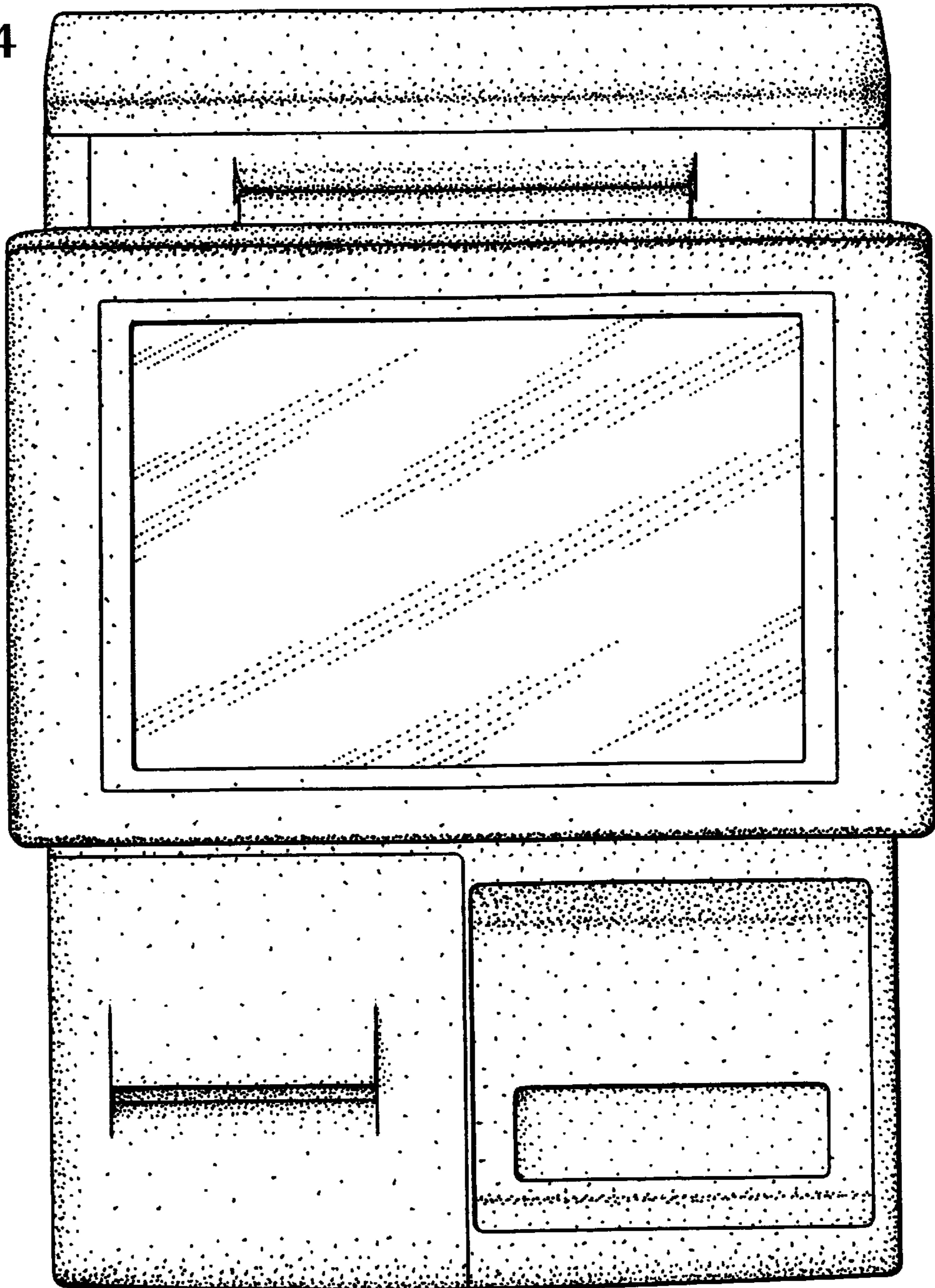


Fig. 4



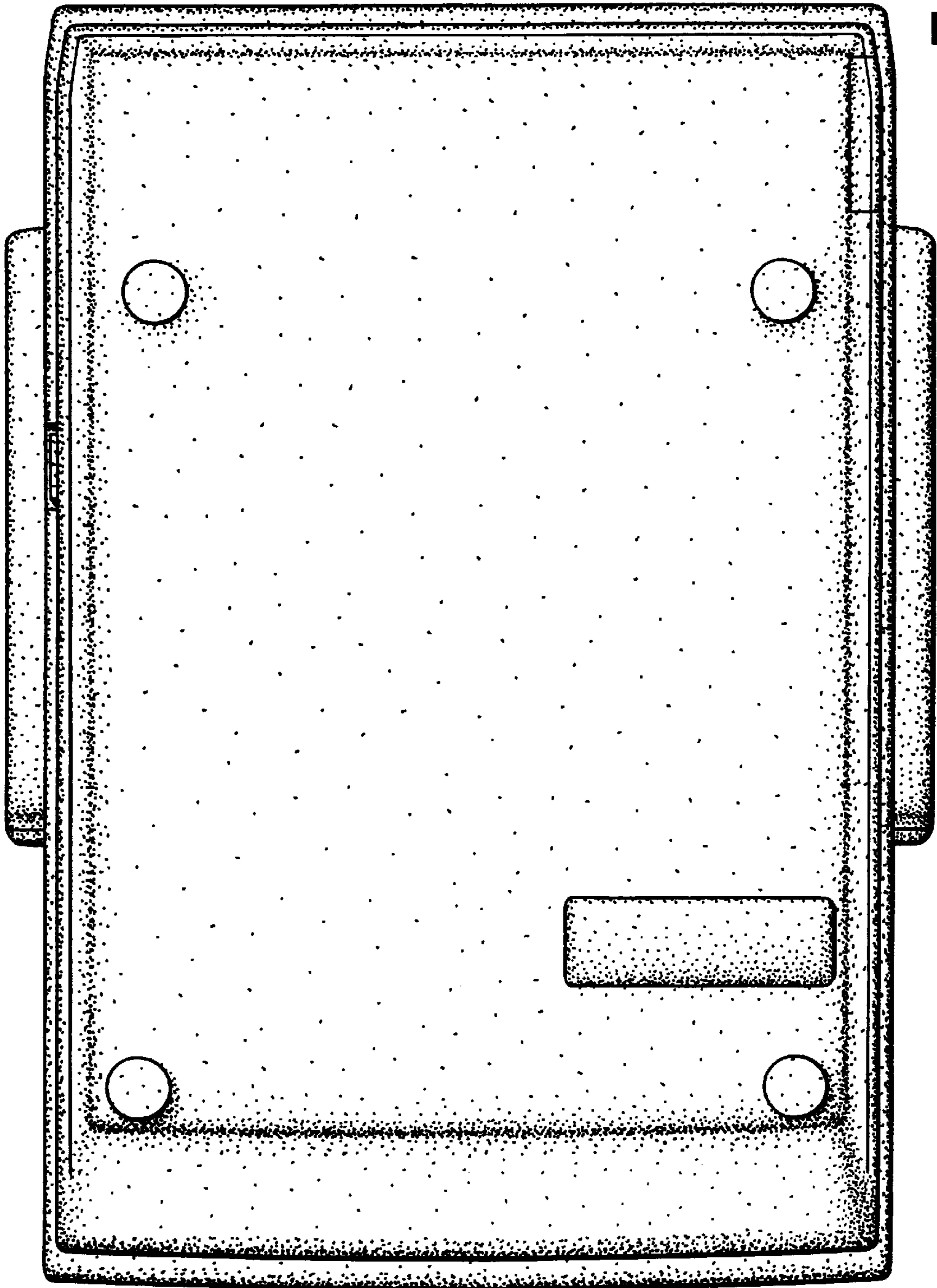


Fig. 5

Fig. 6

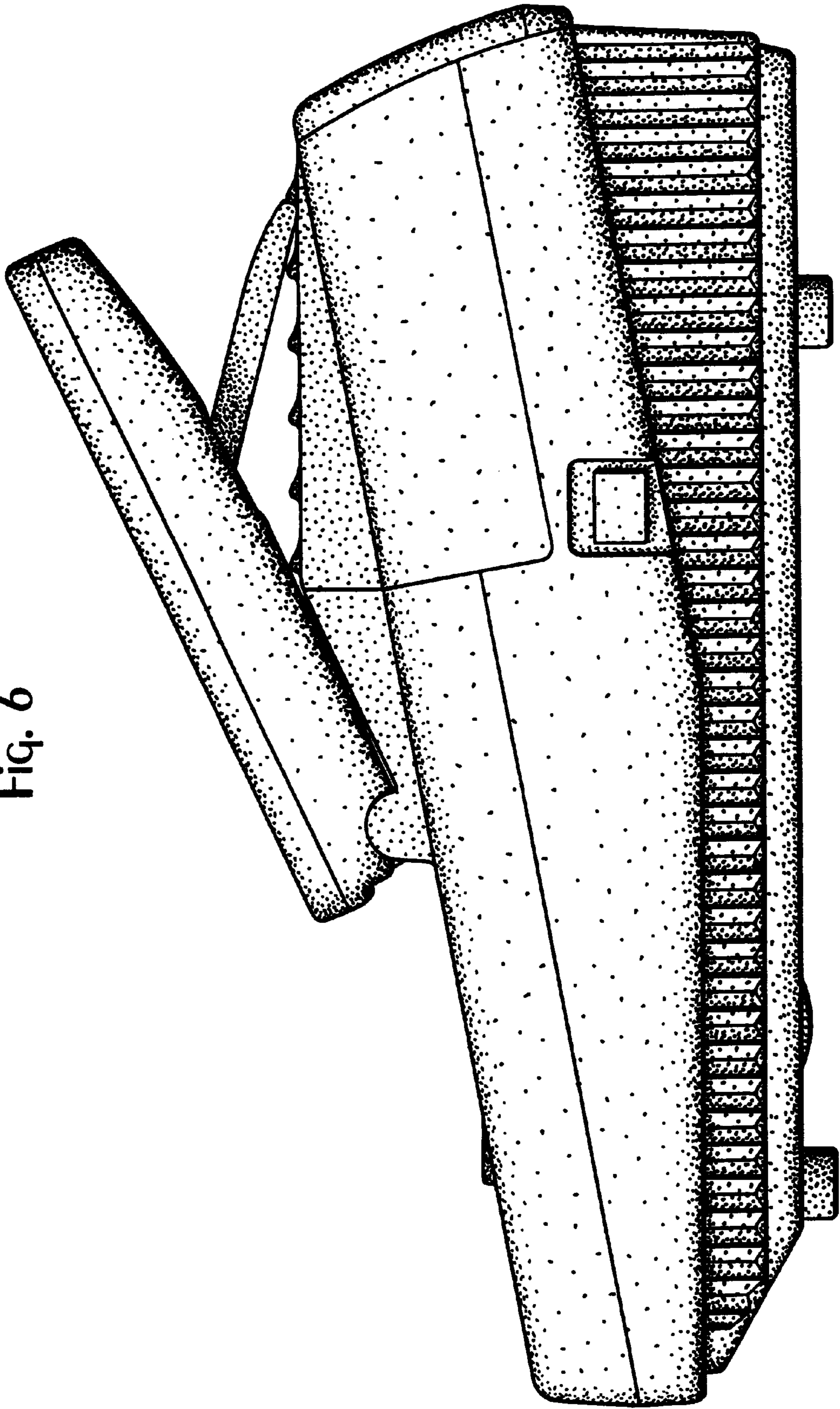


Fig. 7

