



US00D420033S

United States Patent [19]

[11] **Patent Number: Des. 420,033**

Takano et al.

[45] **Date of Patent: ** Feb. 1, 2000**

[54] **PROJECTOR**

[75] Inventors: **Hiroshi Takano; Miho Fujii; Noriaki Yokoyama**, all of Ehime, Japan

[73] Assignee: **Matsushita Electric Industrial Co., Ltd.**, Japan

[**] Term: **14 Years**

[21] Appl. No.: **29/103,689**

[22] Filed: **Apr. 20, 1999**

[30] **Foreign Application Priority Data**

Nov. 30, 1998 [JP] Japan 10-34684

[51] **LOC (7) Cl.** **16-02**

[52] **U.S. Cl.** **D16/231; D16/225**

[58] **Field of Search** D16/200-205,
D16/208, 213, 221, 225, 230, 231, 234;
D21/514; 352/34, 242, 243; 353/115, 119,
122

[56] **References Cited**

U.S. PATENT DOCUMENTS

D. 371,148 6/1996 Kobayashi D16/221
D. 389,850 1/1998 Frank D16/225

D. 398,622 9/1998 Saeki et al. D16/231
D. 401,261 11/1998 Yamazaki et al. D16/225
D. 410,020 5/1999 Adachi D16/231
5,868,485 2/1999 Fujimori et al. 353/119

OTHER PUBLICATIONS

Sharp catalog, Aug. 1993, p. 5.
Sharp Model Nos. XV-N1100 and XV-X1000 catalog
issued Apr. 1998.

Primary Examiner—Adir Aronovich
Attorney, Agent, or Firm—Saidman DesignLaw Group

[57] **CLAIM**

The ornamental design for a projector, as shown and described.

DESCRIPTION

FIG. 1 is a perspective view of the top, front and right side of a projector showing our new design;
FIG. 2 is a front view thereof;
FIG. 3 is a top plan view thereof;
FIG. 4 is a rear view thereof;
FIG. 5 is a right side view thereof;
FIG. 6 is a left side view thereof; and,
FIG. 7 is a bottom view thereof.

1 Claim, 4 Drawing Sheets

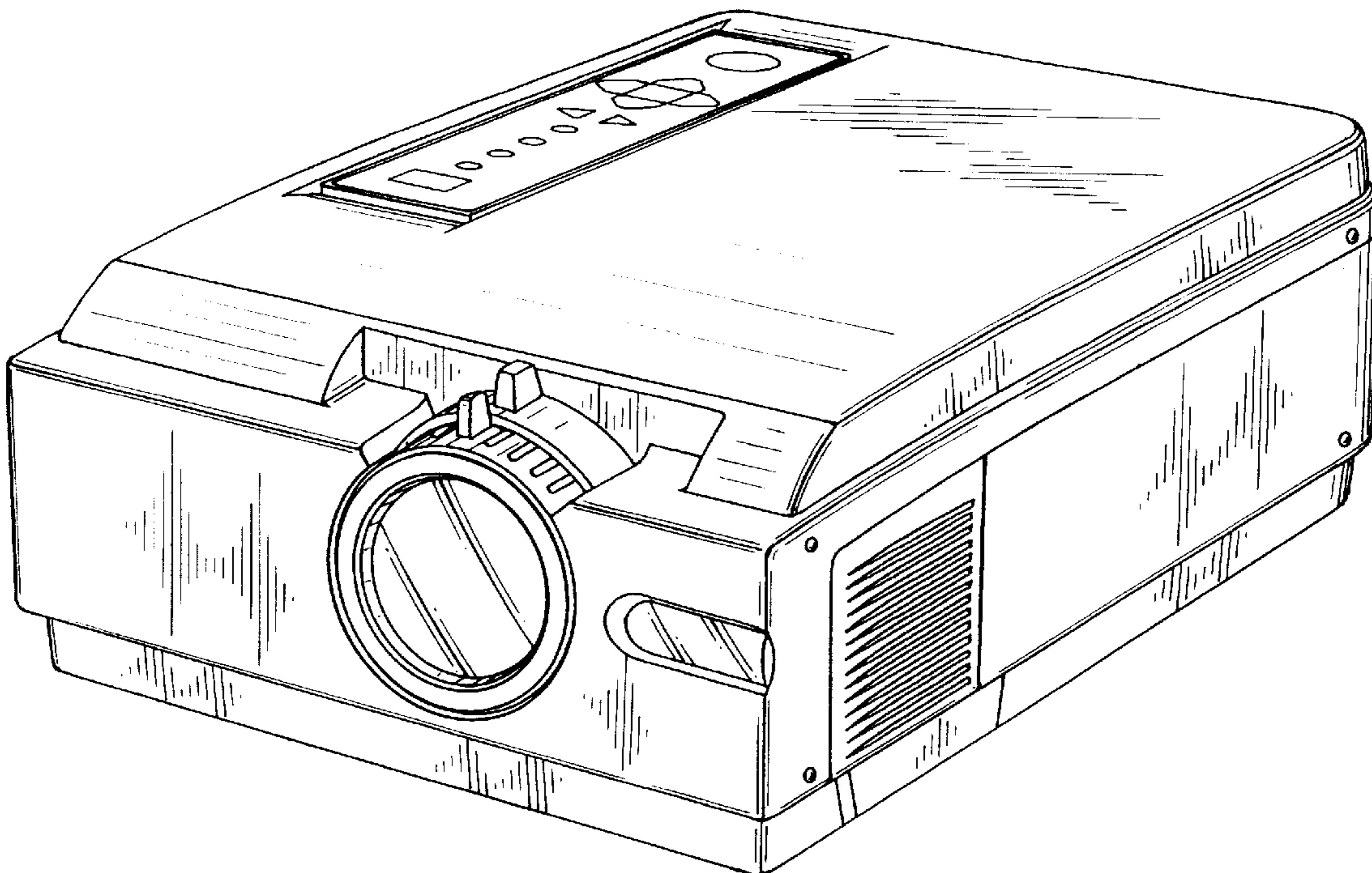


FIG. 1

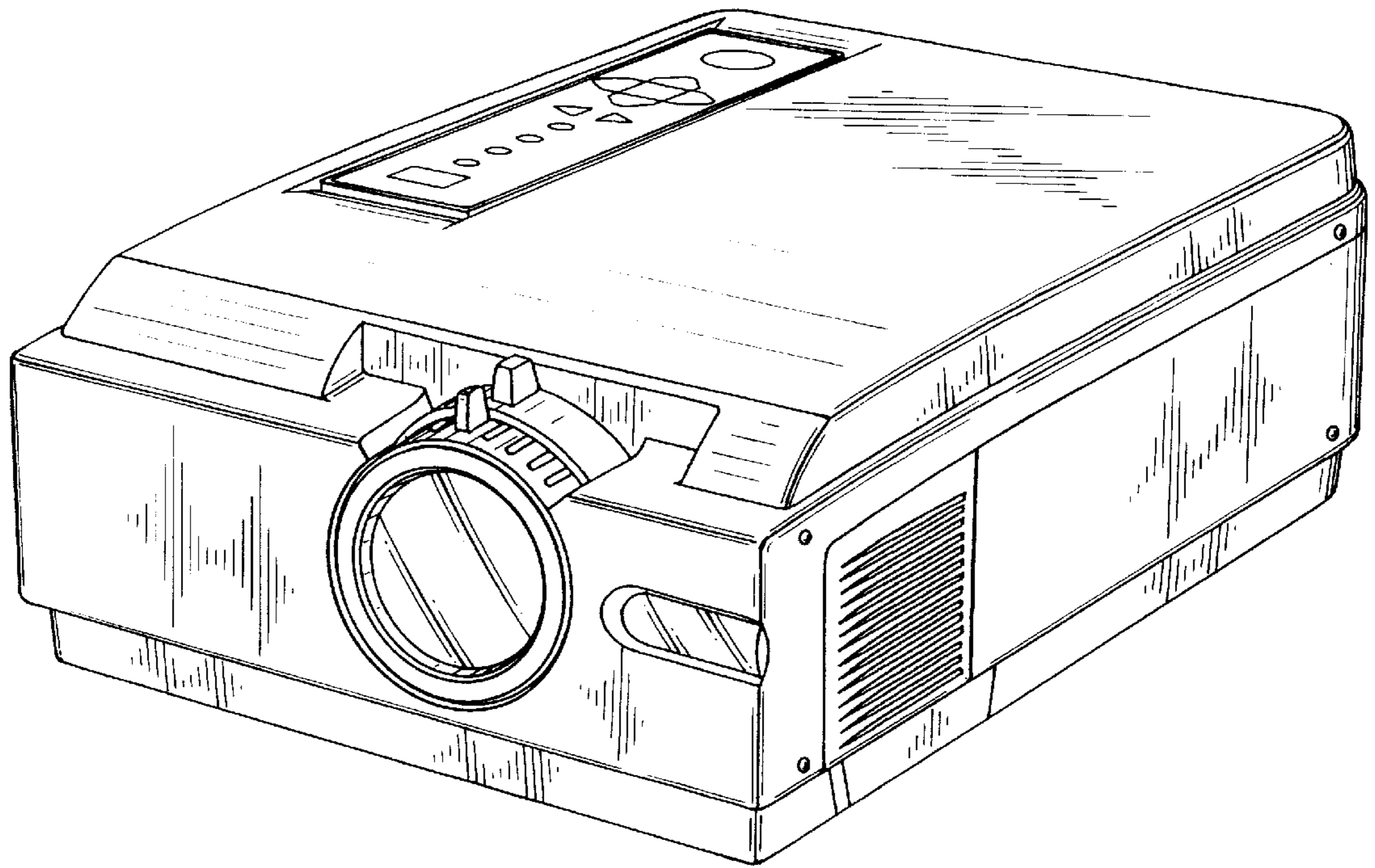


FIG. 2

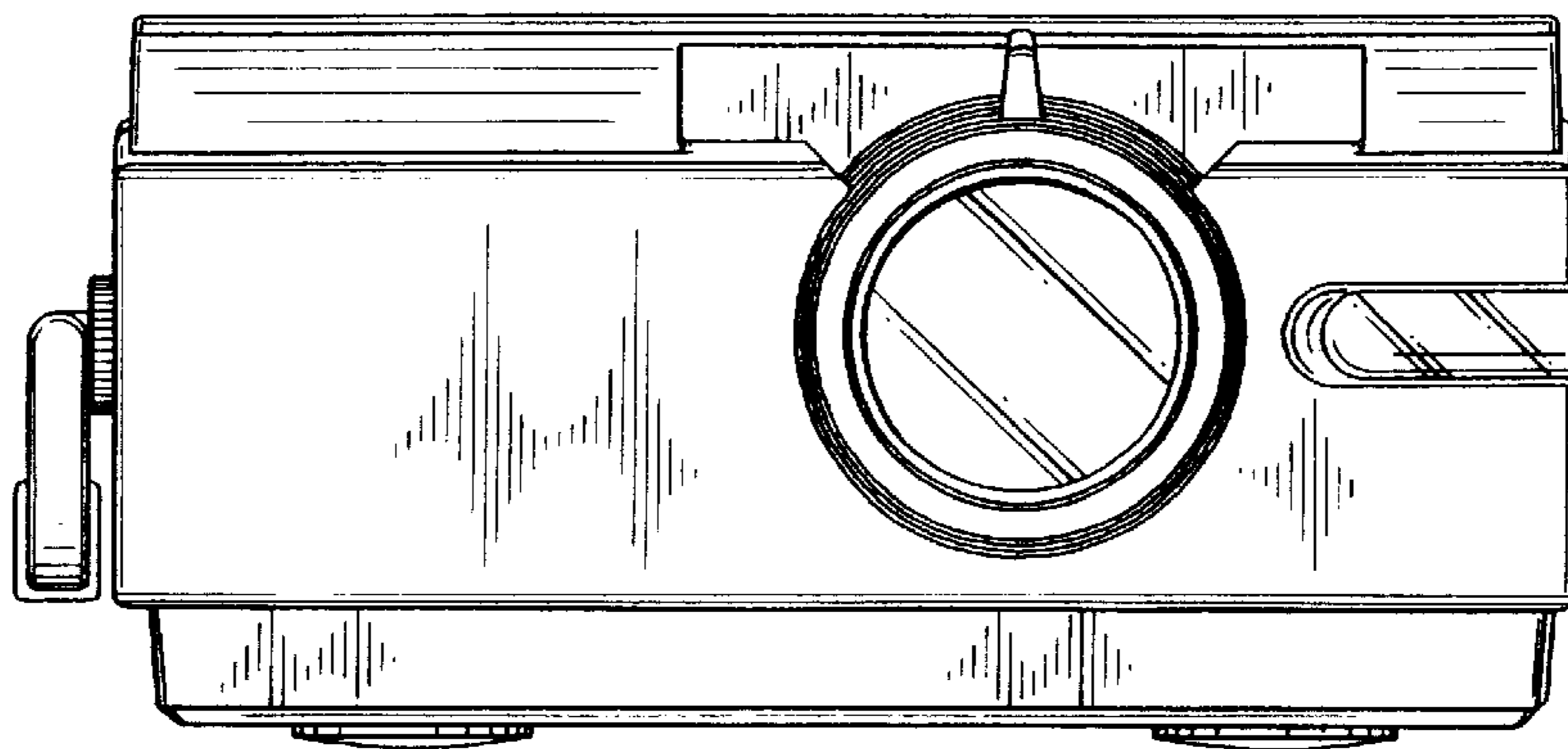


FIG. 3

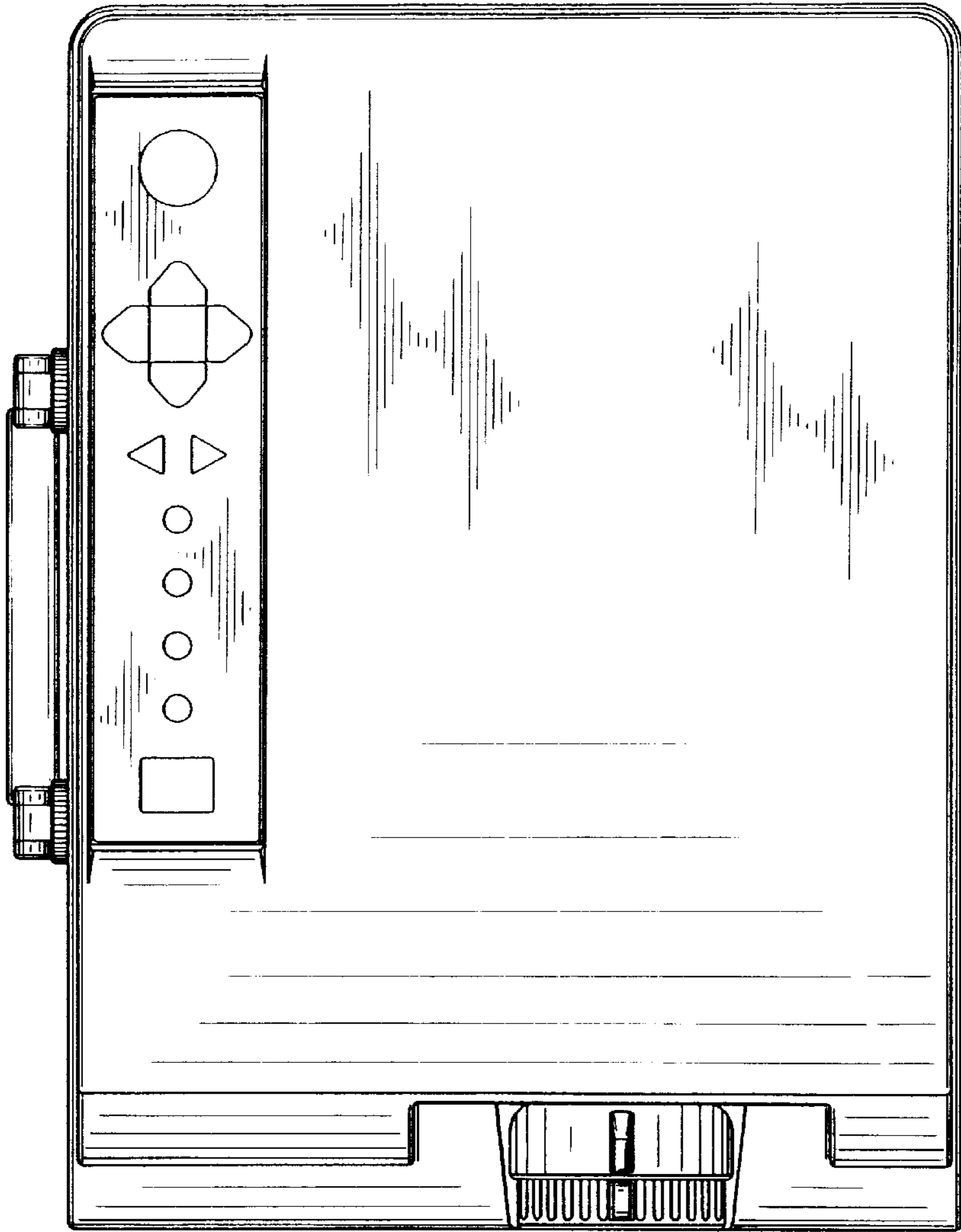


FIG. 4

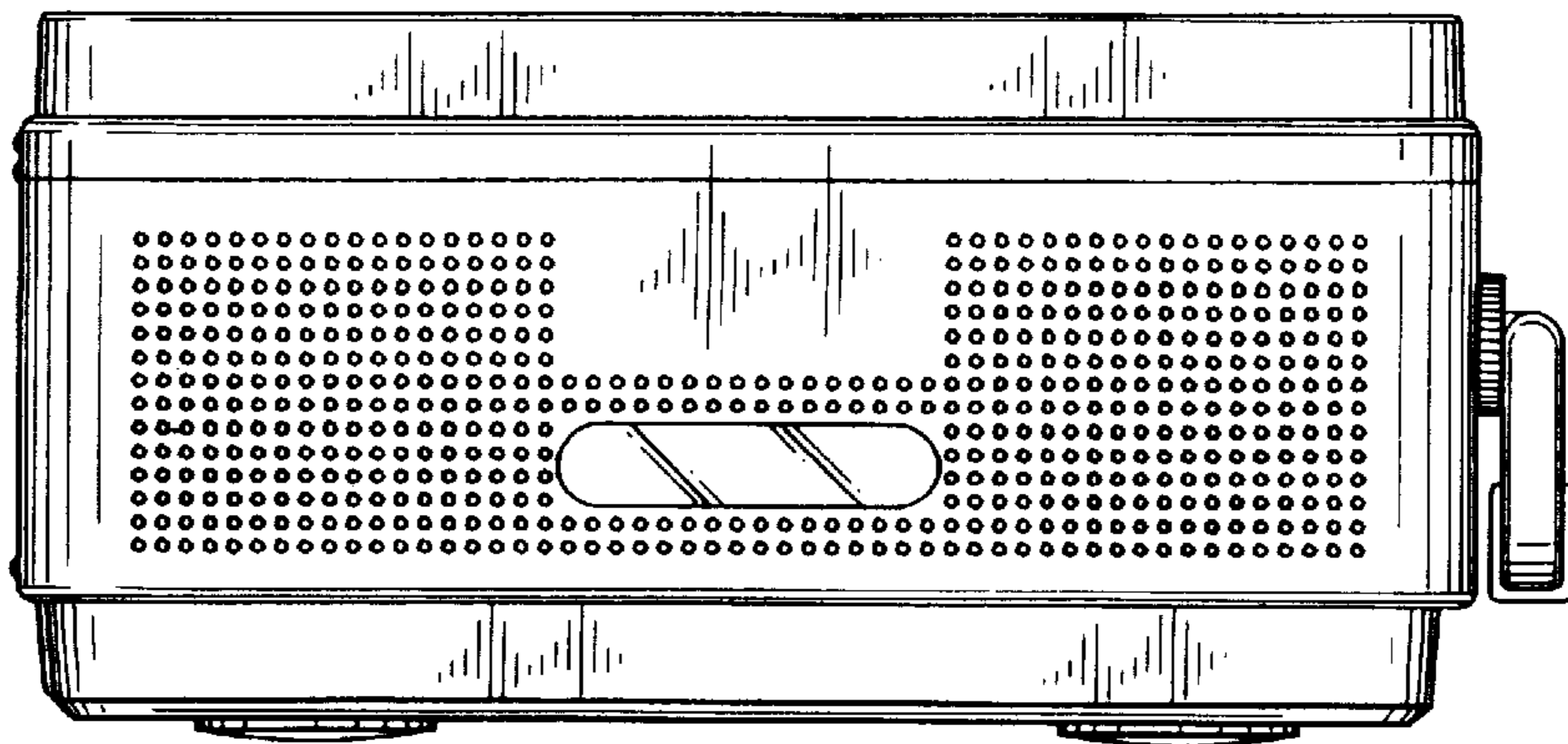


FIG. 5

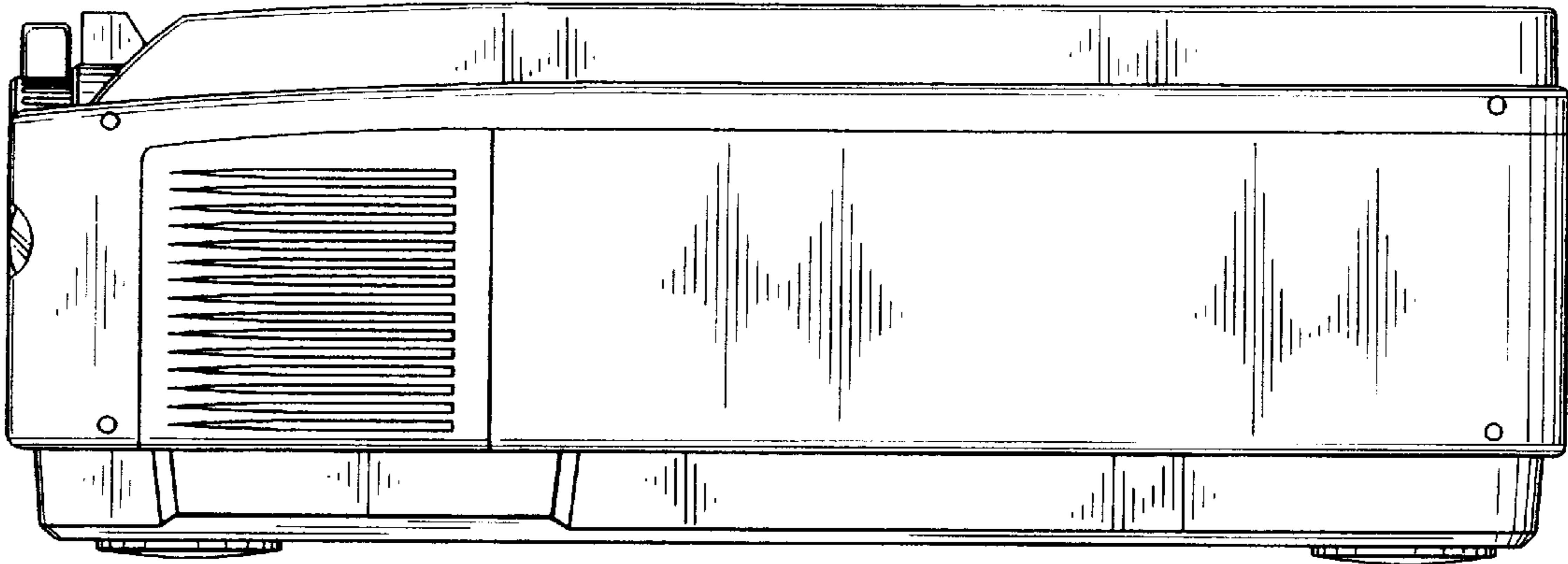


FIG. 6

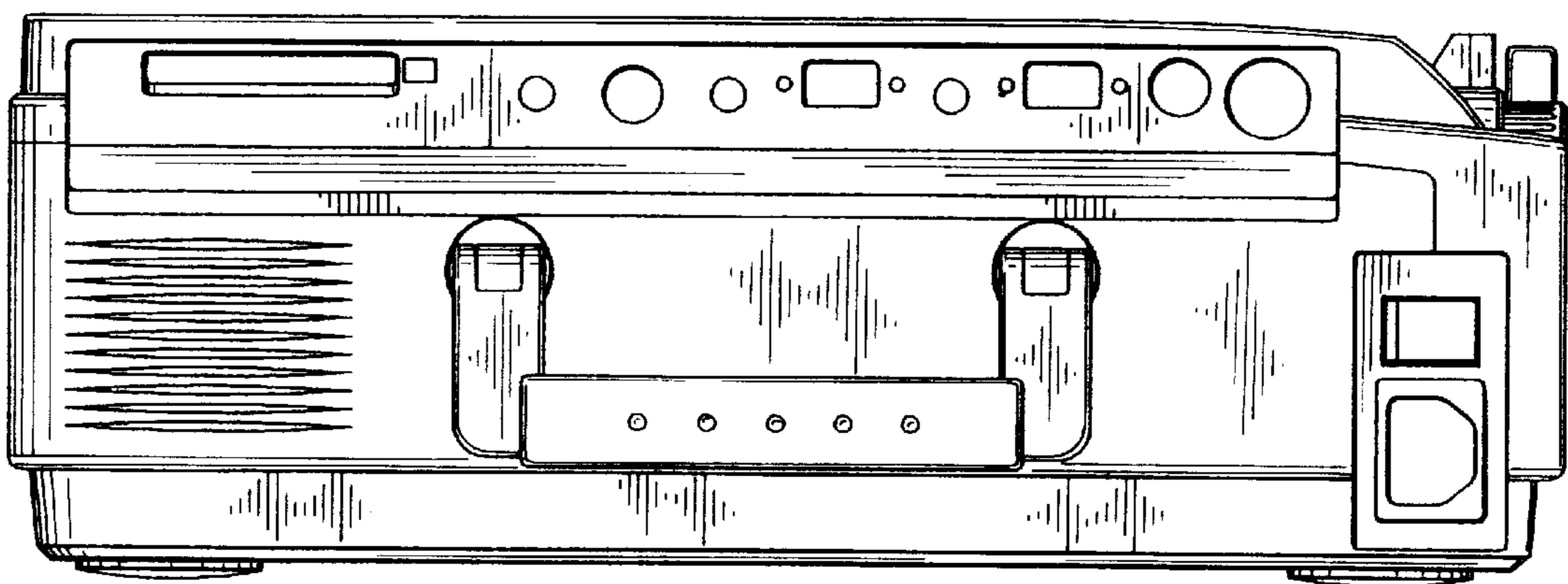


FIG. 7

