



US00D420028S

United States Patent [19]

[11] Patent Number: Des. 420,028

Wani et al.

[45] Date of Patent: ** Feb. 1, 2000

[54] MICROSCOPE

[75] Inventors: **Yuki Wani**, Hachioji; **Toshinobu Miyazawa**, Komagane; **Tomoyuki Kawamura**, Nagano-ken; **Keiichi Iizuka**; **Minoru Inoue**, both of Ina, all of Japan

[73] Assignee: **Olympus Optical Co., Ltd.**, Tokyo, Japan

[**] Term: **14 Years**

[21] Appl. No.: **29/096,705**

[22] Filed: **Nov. 18, 1998**

[30] **Foreign Application Priority Data**

May 19, 1998 [JP] Japan 10-14174

[51] **LOC (7) Cl.** **16-06**

[52] **U.S. Cl.** **D16/131**

[58] **Field of Search** D16/130, 131; 359/375, 376, 377, 381, 383, 385, 368, 388, 393, 390

[56] **References Cited**

U.S. PATENT DOCUMENTS

- D. 263,057 2/1982 Janke et al. D16/131
- D. 273,592 4/1984 Armbruster D16/131

- D. 296,904 7/1988 Lukaszewski D16/131
- D. 330,719 11/1992 Ishibashi D16/131
- D. 340,251 10/1993 Fronkler tet al. D16/131
- D. 345,746 4/1994 Hölbl D16/131
- D. 345,747 4/1994 Hölbl D16/131
- D. 395,664 6/1998 Nojima et al. D16/131
- D. 400,548 11/1998 Komatsuzaki D16/131
- 4,283,111 8/1981 Weber et al. 359/381
- 4,573,771 3/1986 Hill 359/383
- 5,172,265 12/1992 Noguchi et al. 359/368

Primary Examiner—Paula A. Mortimer
Attorney, Agent, or Firm—J. Warren Whitesel; Laff, Whtiesel & Saret Ltd.

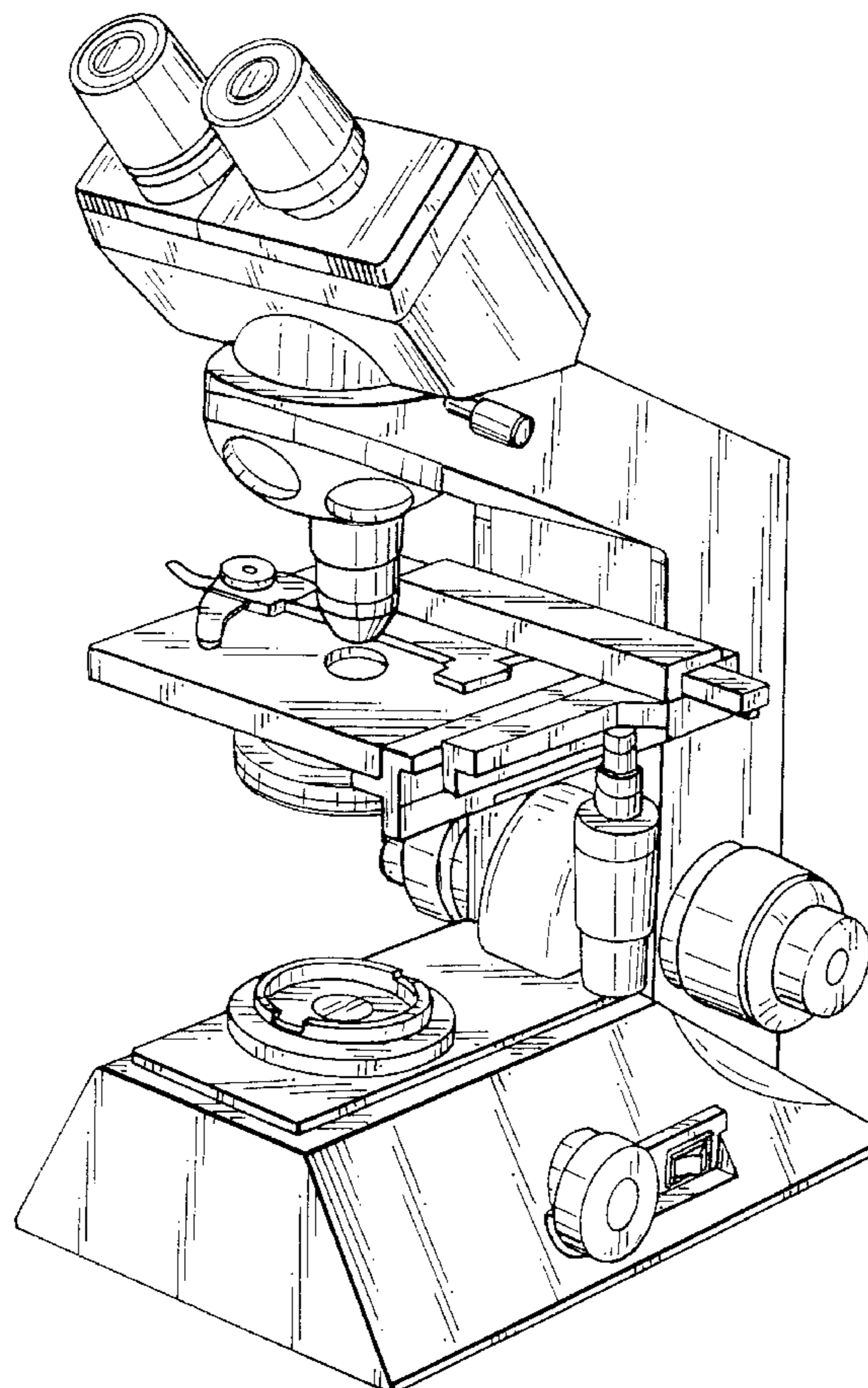
[57] **CLAIM**

The ornamental design for a microscope, as shown and described.

DESCRIPTION

FIG. 1 is an enlarged rear, top and left side perspective view of microscope, showing our new design; FIG. 2 is a front elevational view thereof; FIG. 3 is a right side elevational view thereof; FIG. 4 is a top plan view thereof; FIG. 5 is a rear elevational view thereof; FIG. 6 is a left side elevational view thereof; and, FIG. 7 is a bottom plan view thereof.

1 Claim, 3 Drawing Sheets



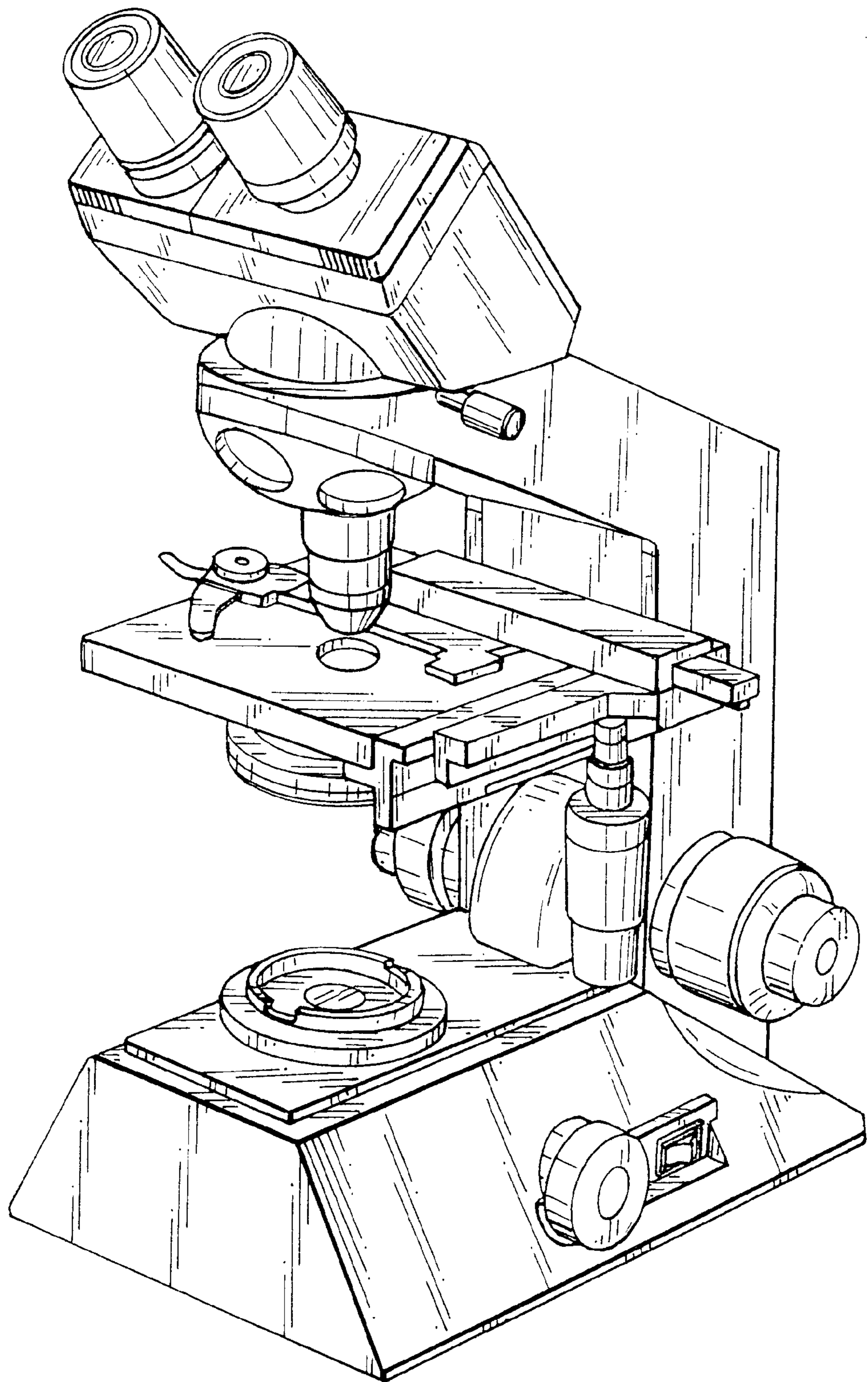


FIG. 1

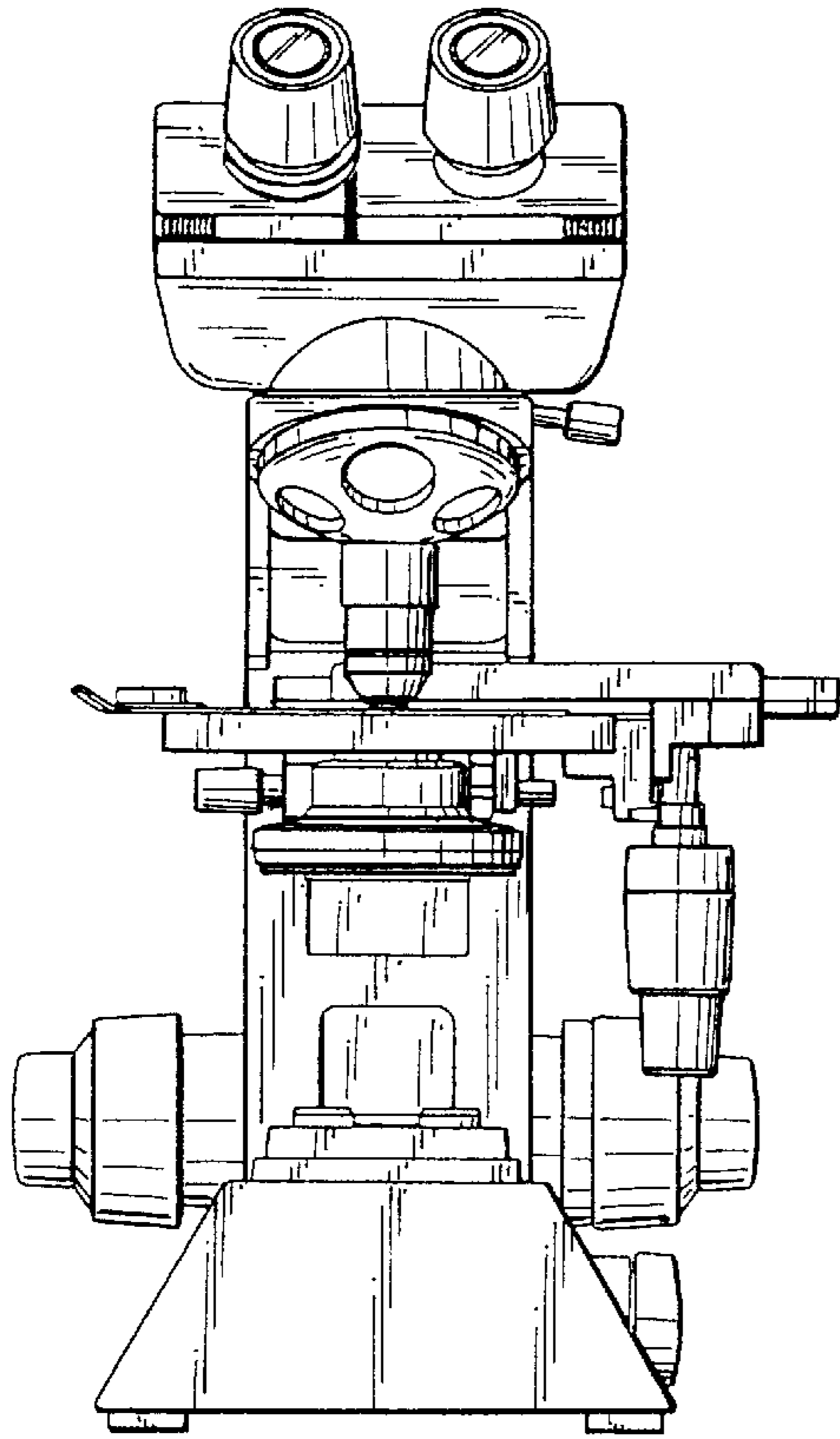


FIG. 2

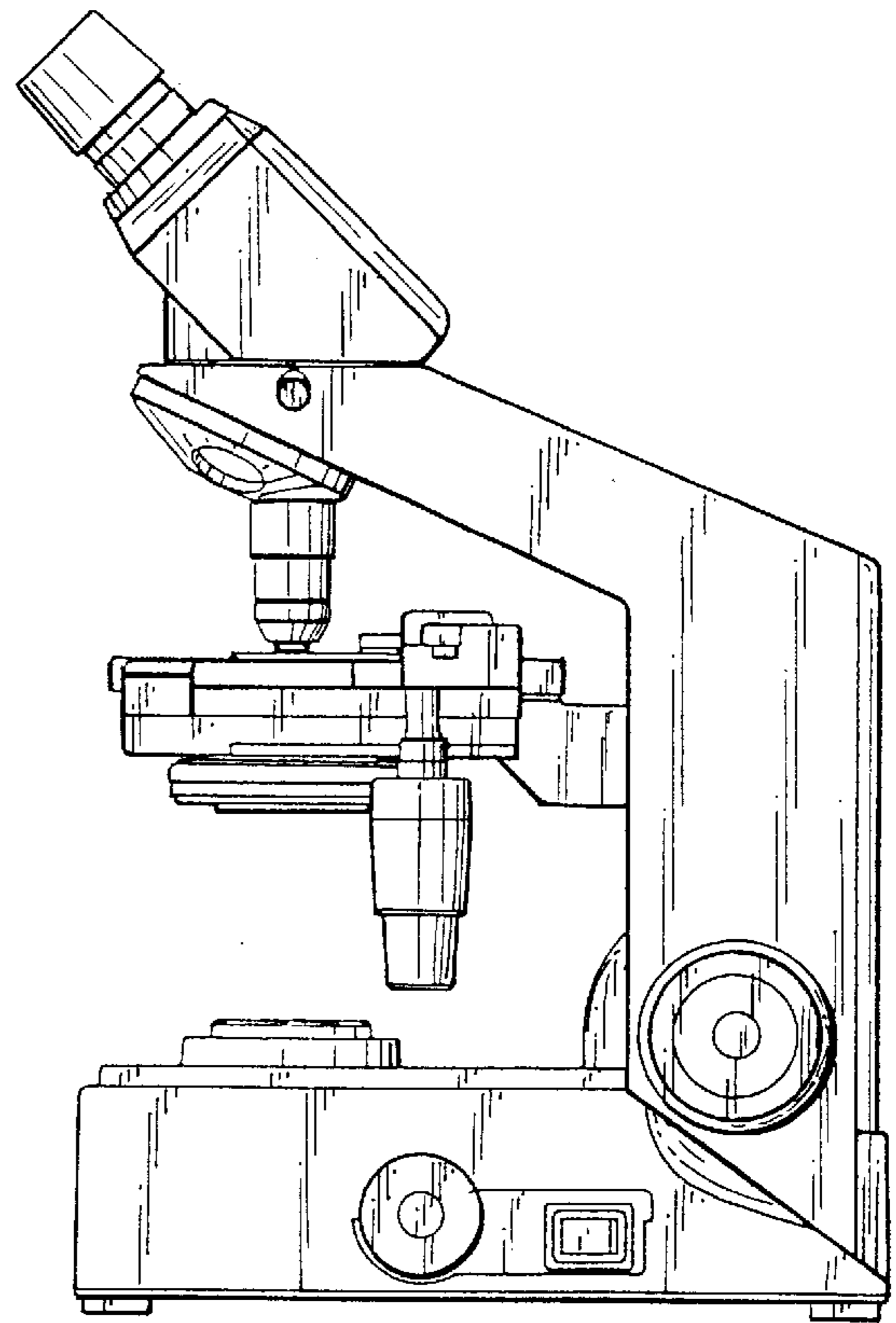


FIG. 3

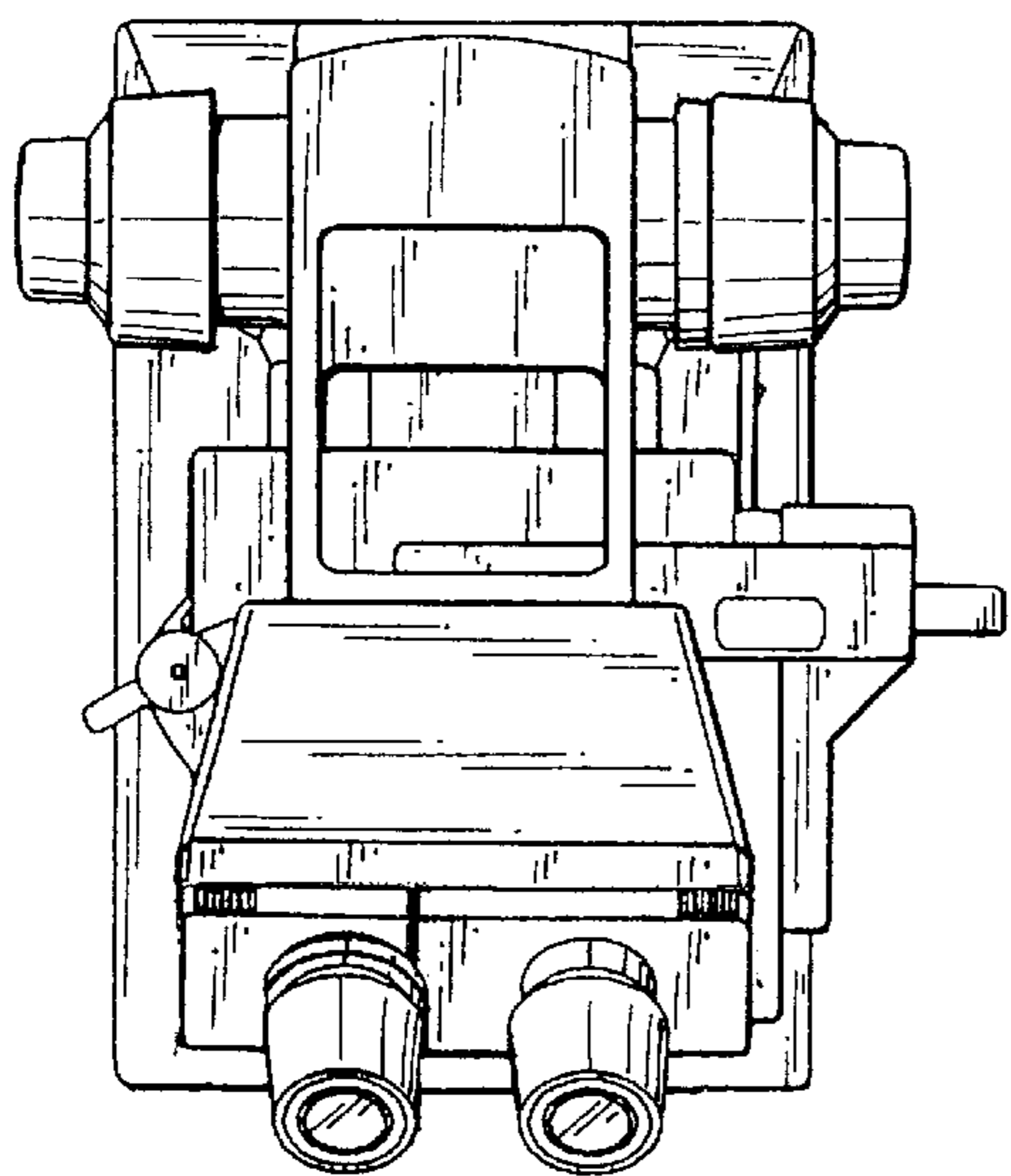


FIG. 4

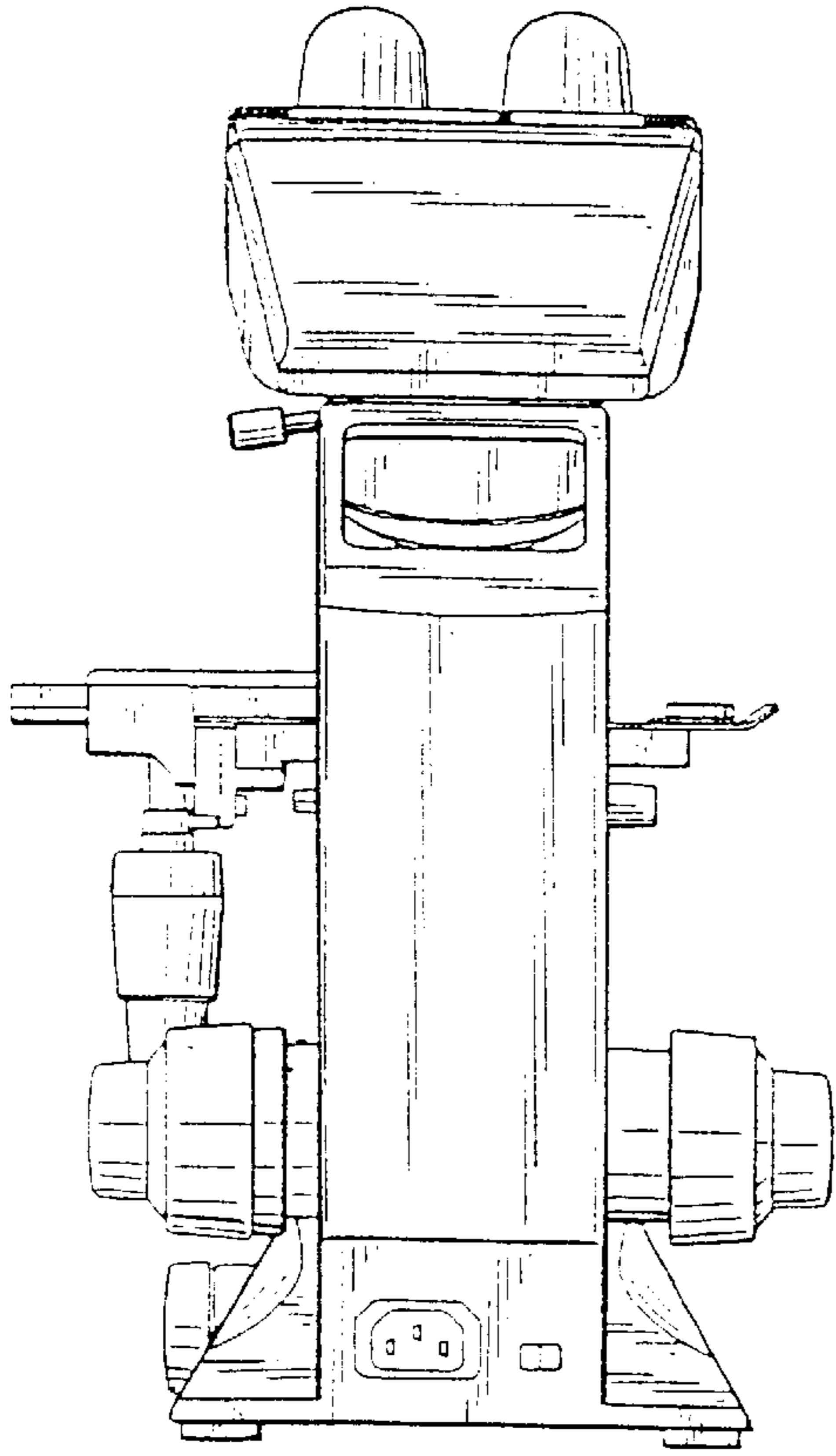


FIG. 5

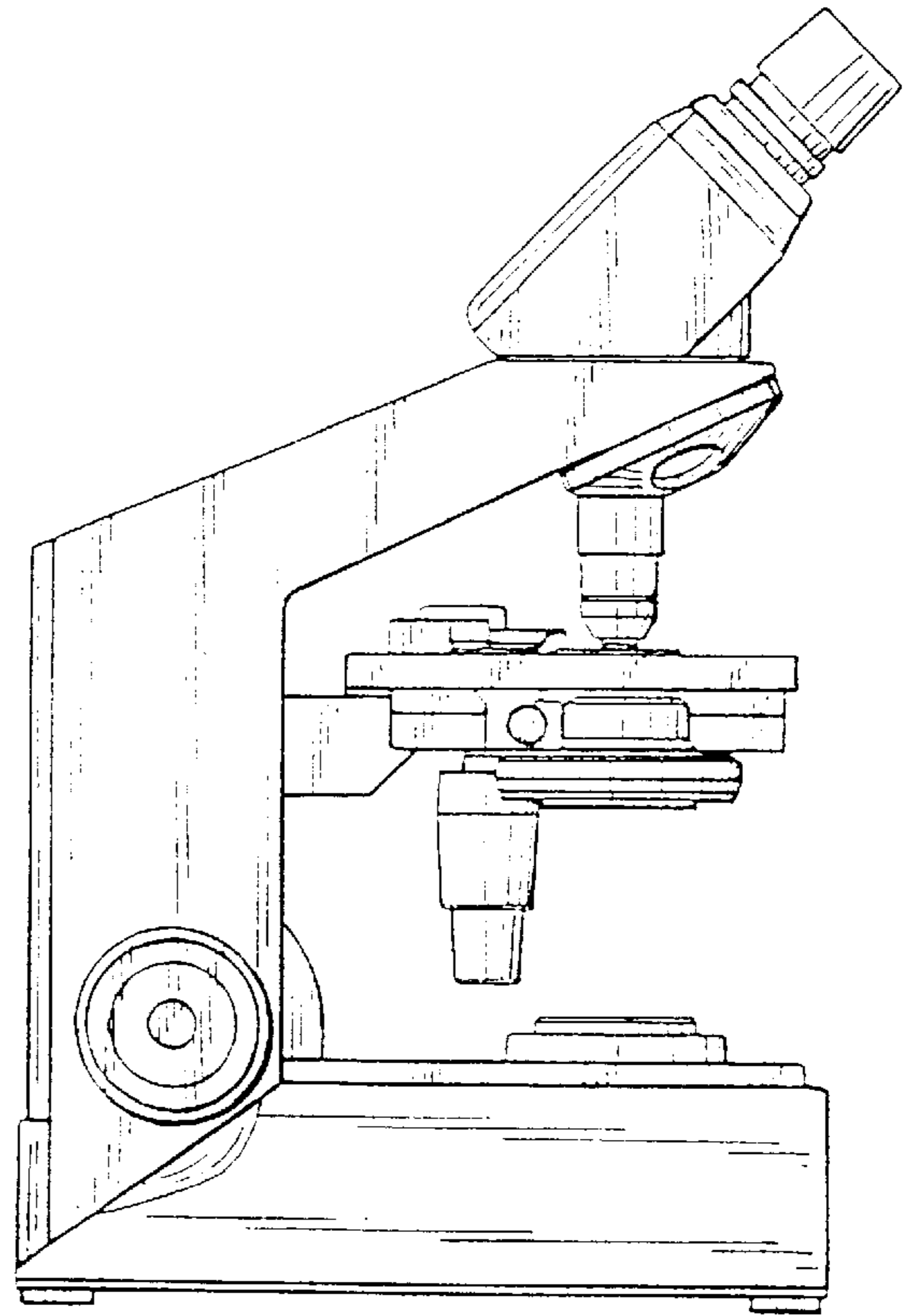


FIG. 6

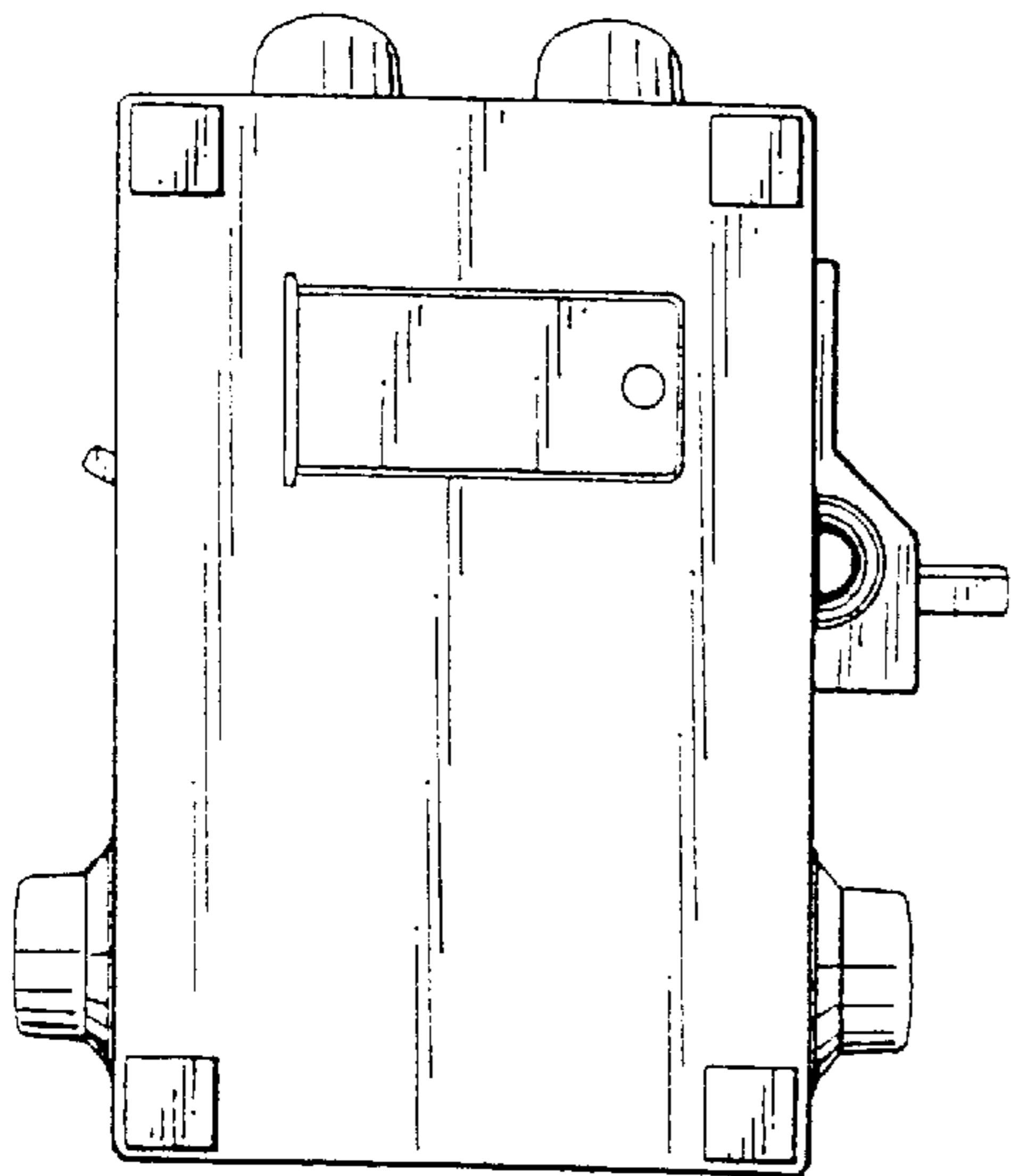


FIG. 7