



US00D420026S

United States Patent [19]

Mc Williams

[11] Patent Number: Des. 420,026

[45] Date of Patent: ** Feb. 1, 2000

[54] OIL FILLER CAP EXTENSION

[76] Inventor: Vern L Mc Williams, P.O. Box 68,
Daniel, Wyo. 83115

[**] Term: 14 Years

[21] Appl. No.: 29/097,741

[22] Filed: Dec. 11, 1998

[51] LOC (7) Cl. 15-09

[52] U.S. Cl. D15/150

[58] Field of Search D15/150-152;
141/98, 331-345

[56] **References Cited**

U.S. PATENT DOCUMENTS

D. 389,498 1/1998 Larson D15/150
5,076,333 12/1991 Law 141/335 X

Primary Examiner—Antoine Duval Davis

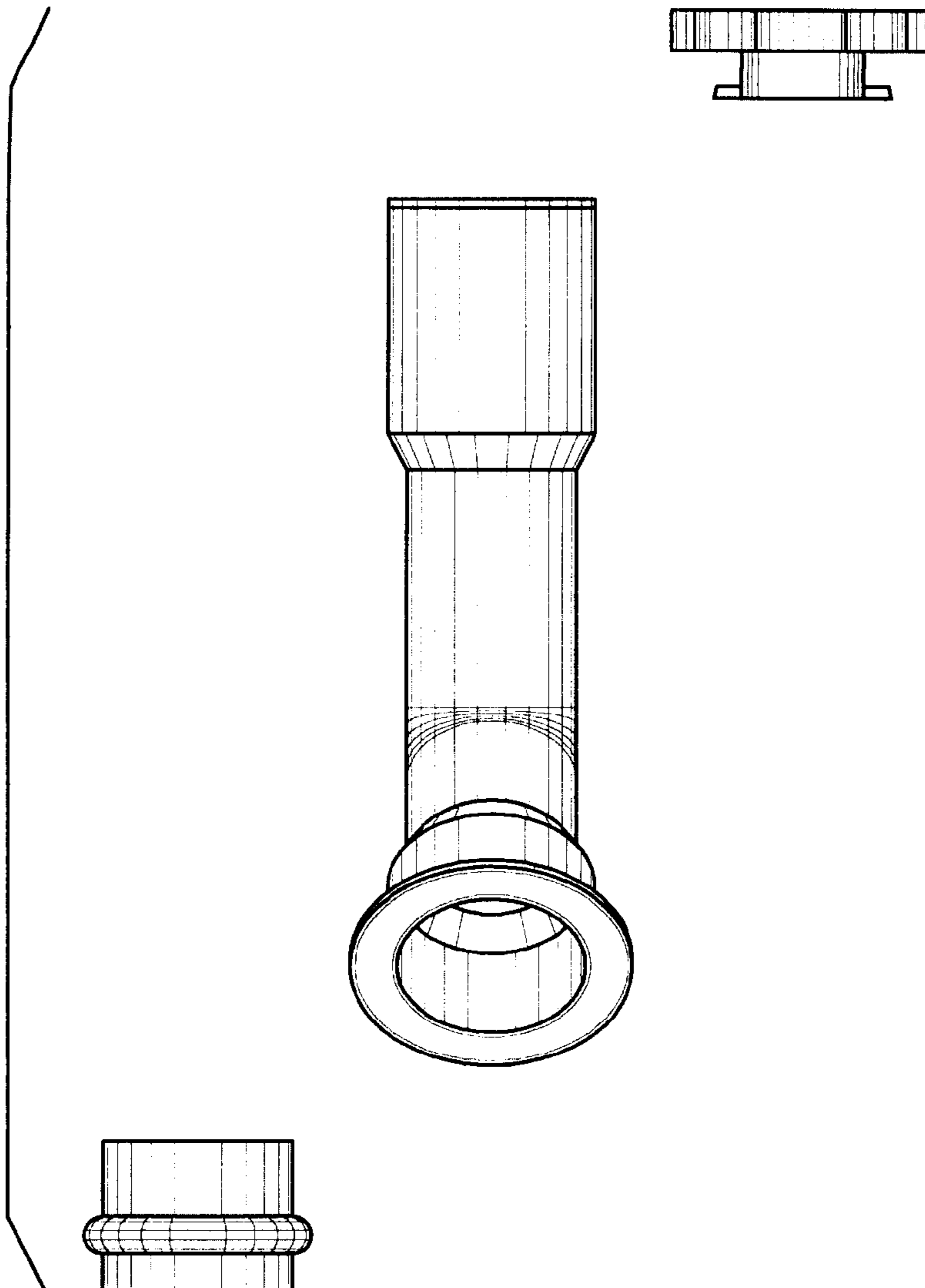
[57] **CLAIM**

The ornamental design for a oil filler cap extension, as shown.

DESCRIPTION

FIG. 1 is a front elevational view of the oil filler cap extension of the present invention;
FIG. 2 is a back elevational view of the oil filler cap extension of FIG. 1;
FIG. 3 is a right side elevational view of the oil filler cap extension of FIG. 1;
FIG. 4 is a left side elevational view of the oil filler cap extension of FIG. 1;
FIG. 5 is a top plan view of the oil filler cap extension of FIG. 1;
FIG. 6 is a bottom plan view of the oil filler cap extension of FIG. 1; and,
FIG. 7 is a cross sectional view of an assembled embodiment of the oil filler cap extension of FIG. 1.

1 Claim, 4 Drawing Sheets



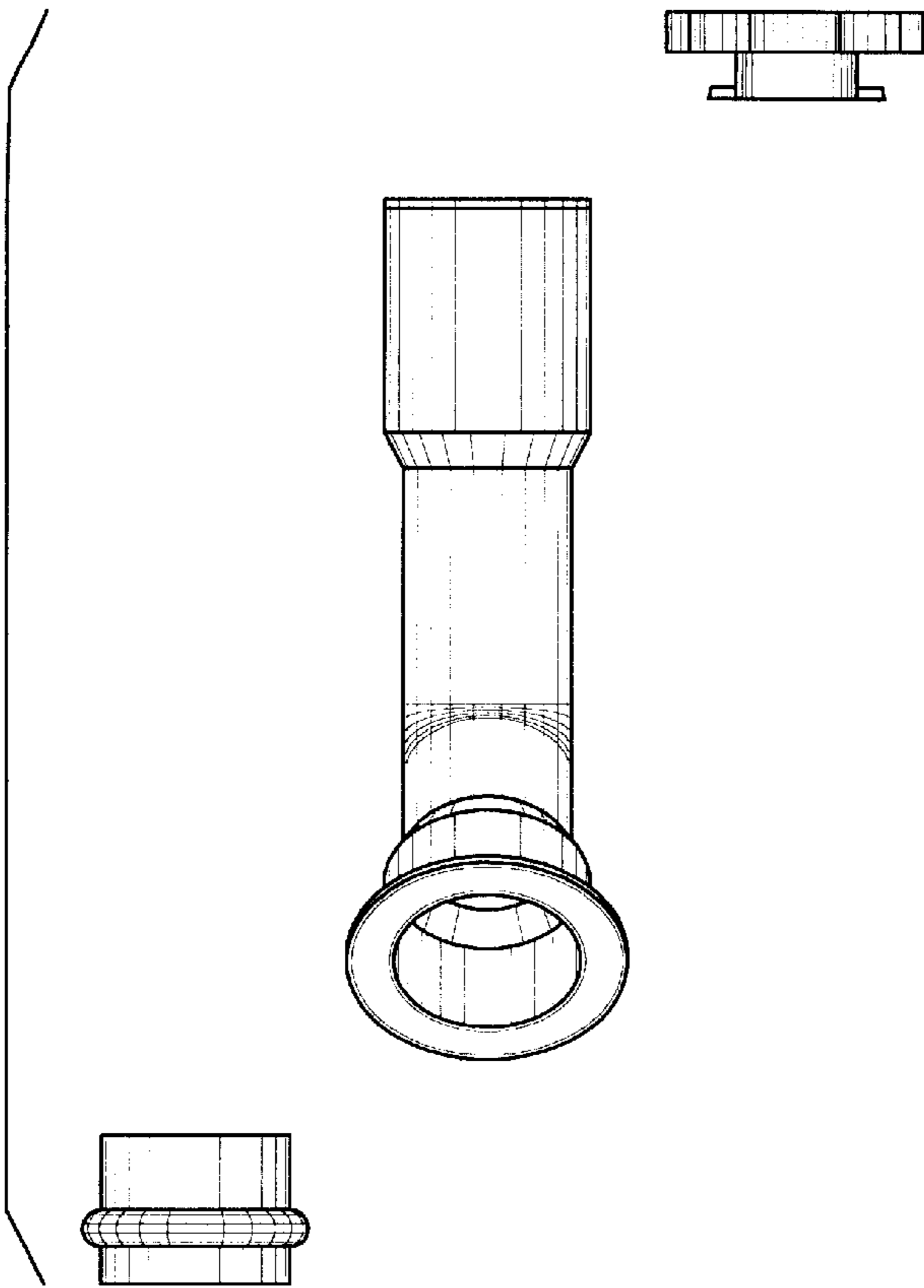


Fig. 1

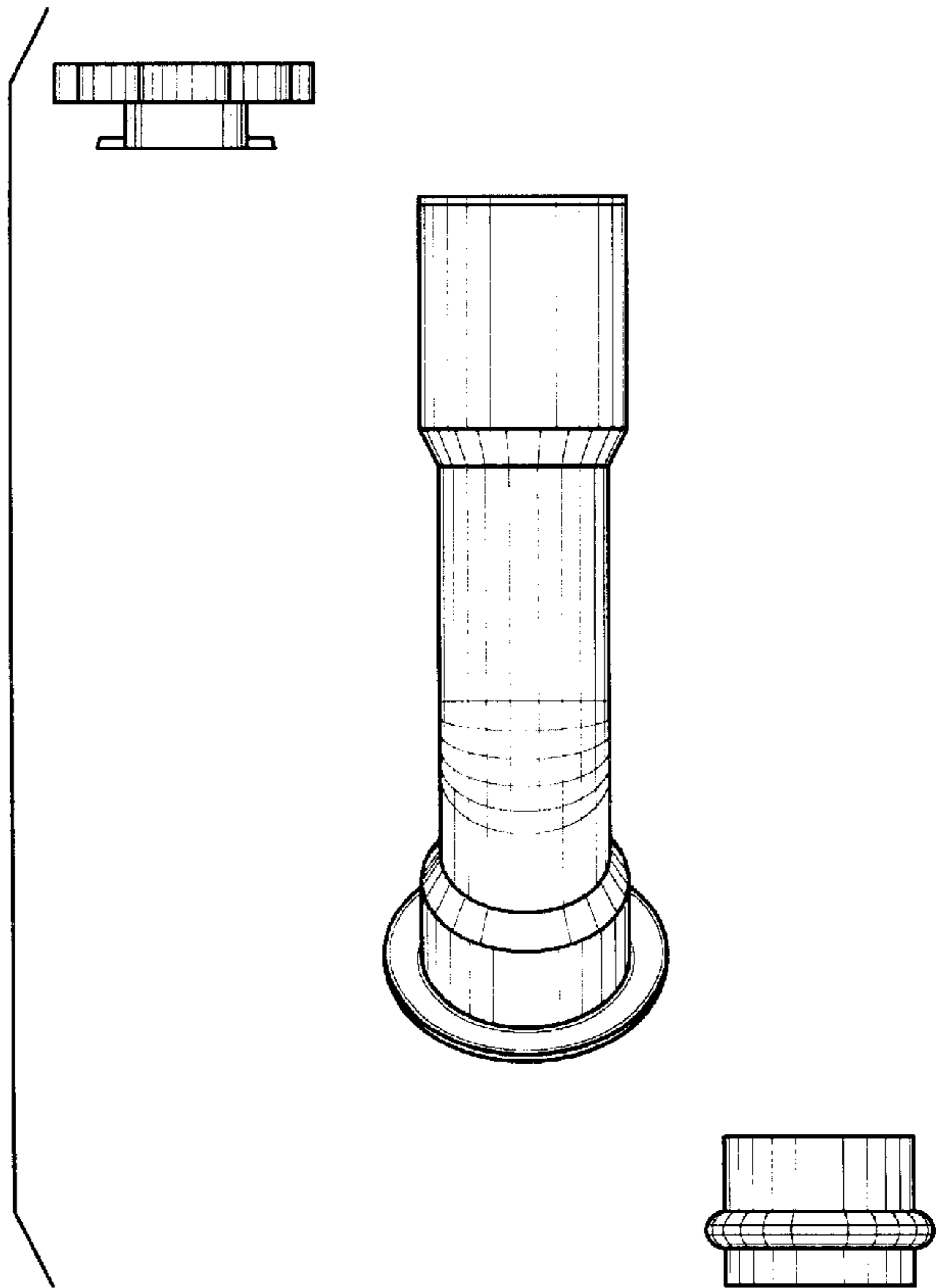


Fig. 2

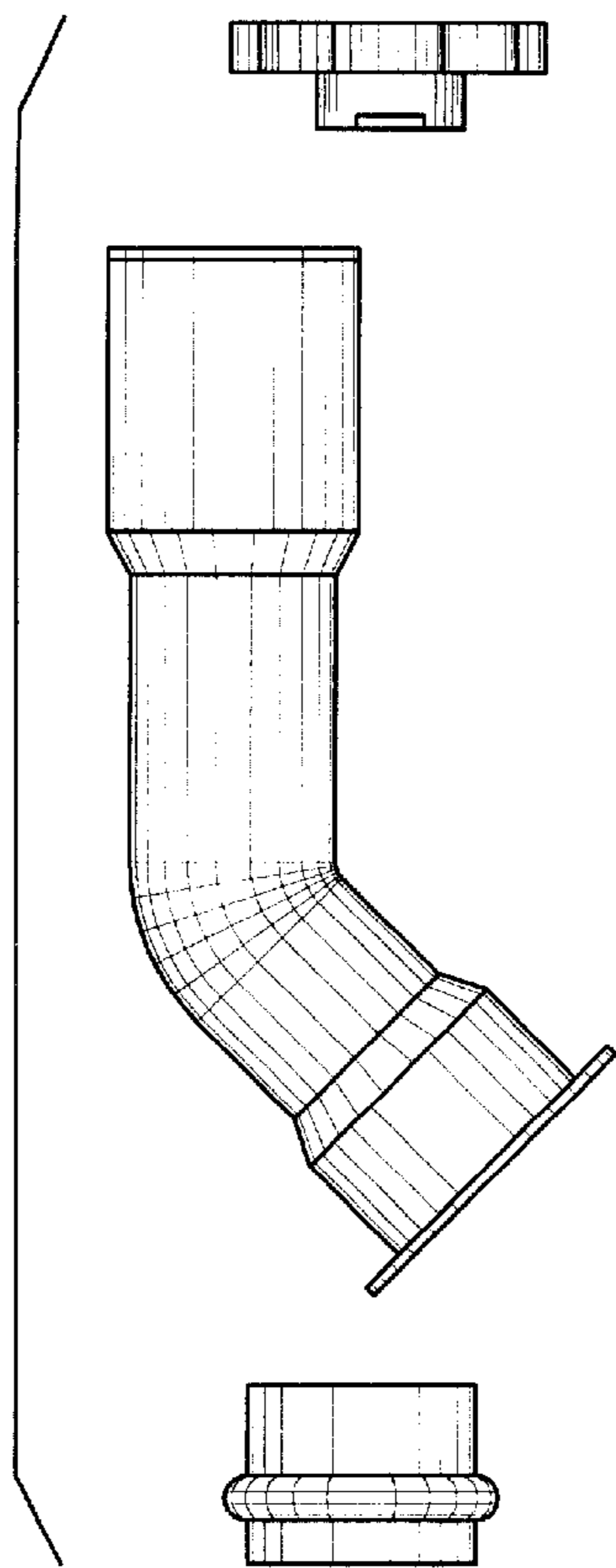


Fig. 3

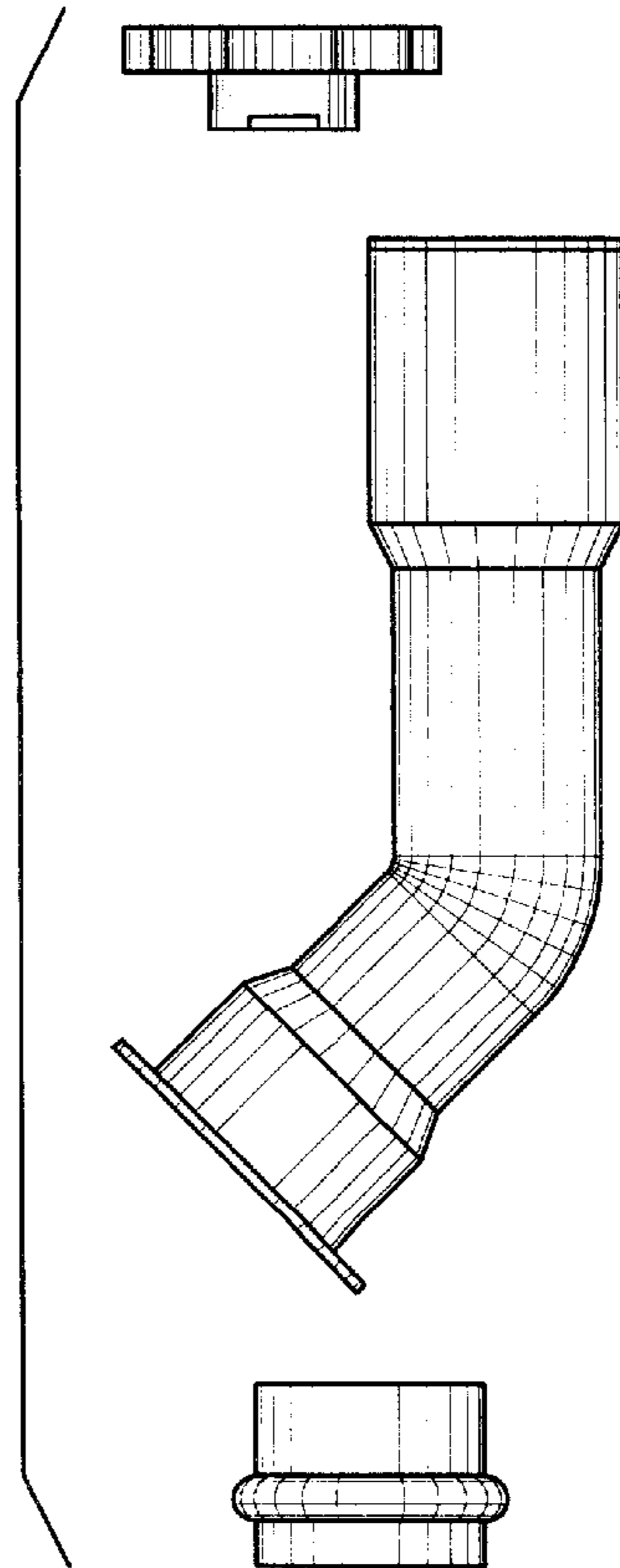


Fig. 4

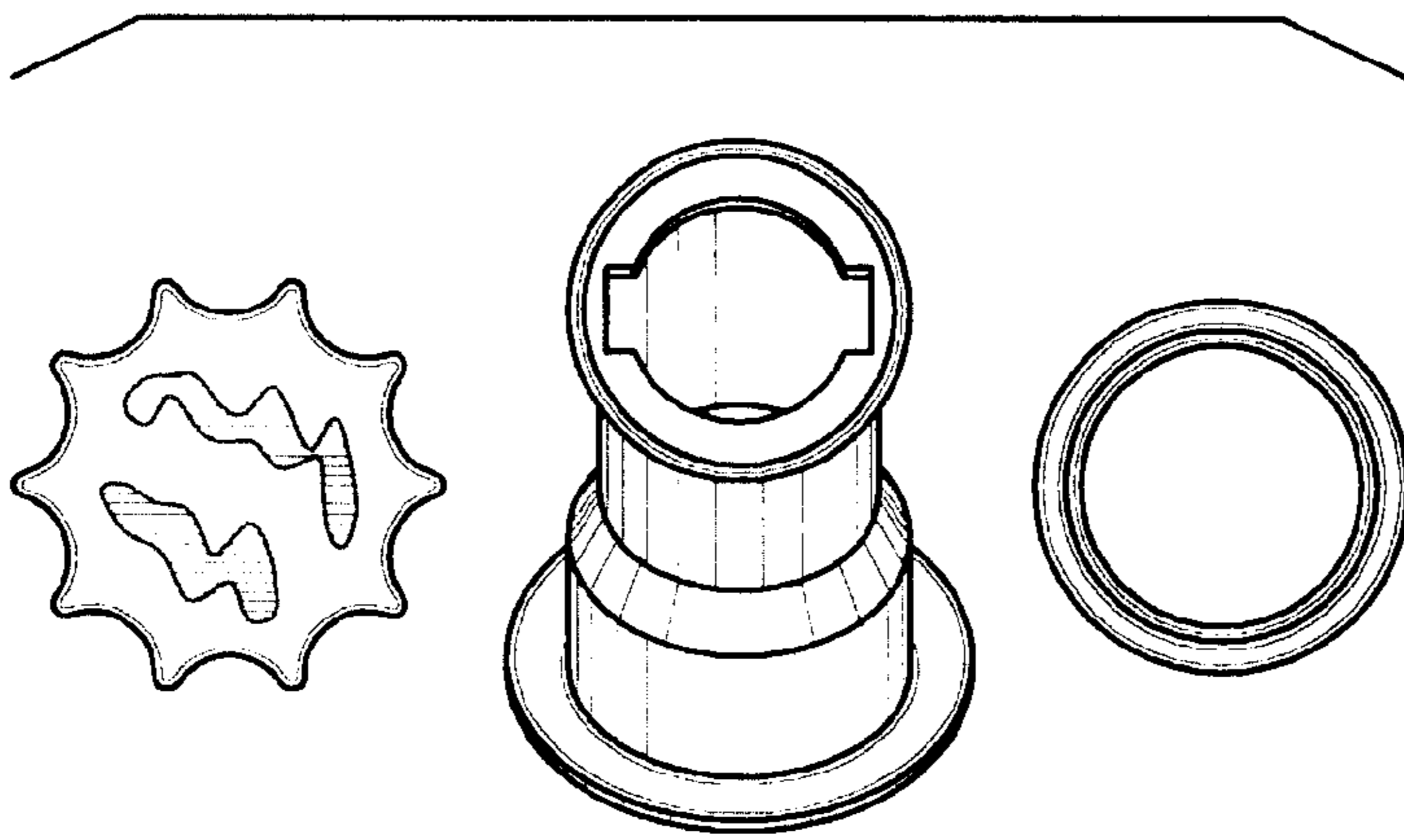


Fig. 5

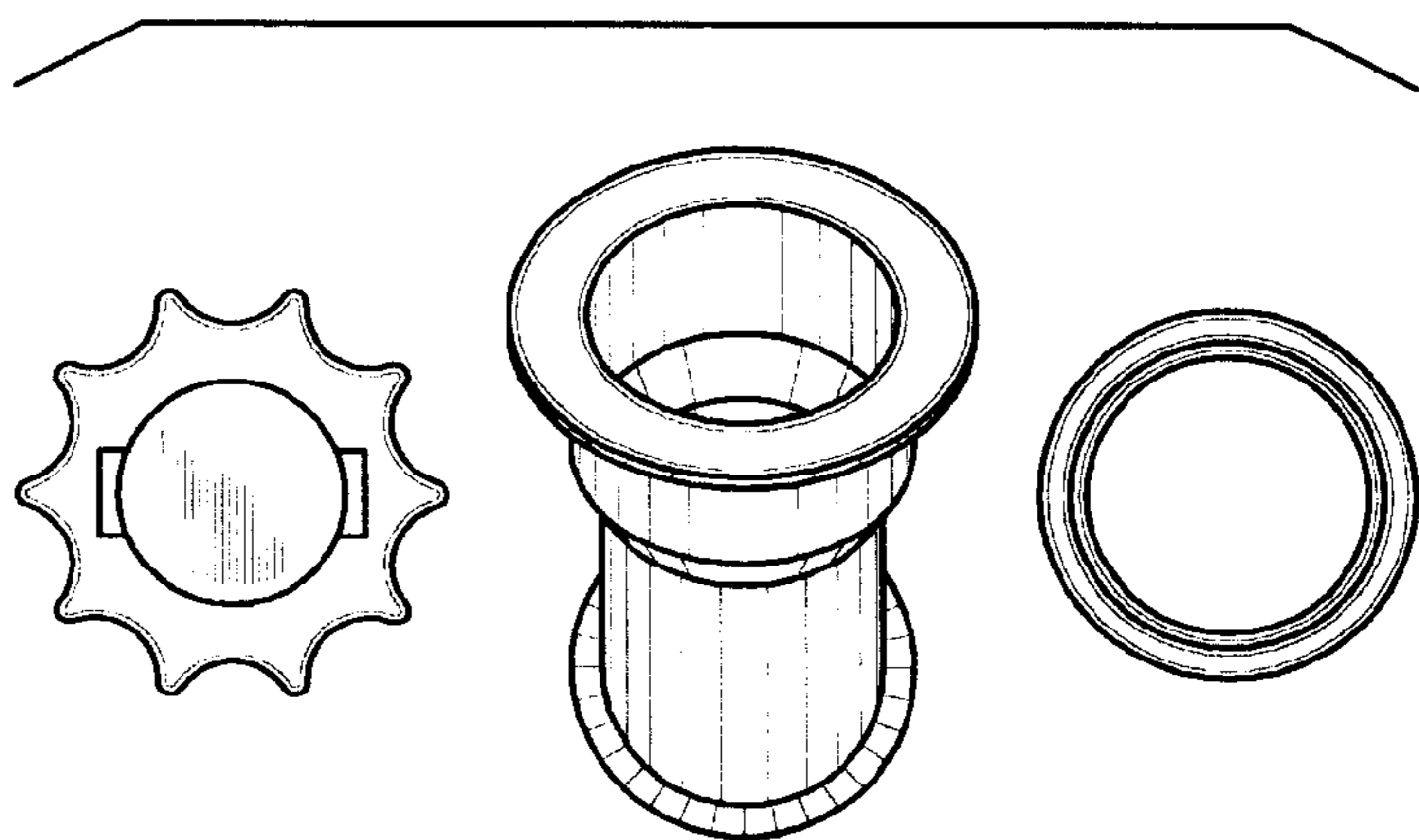


Fig. 6

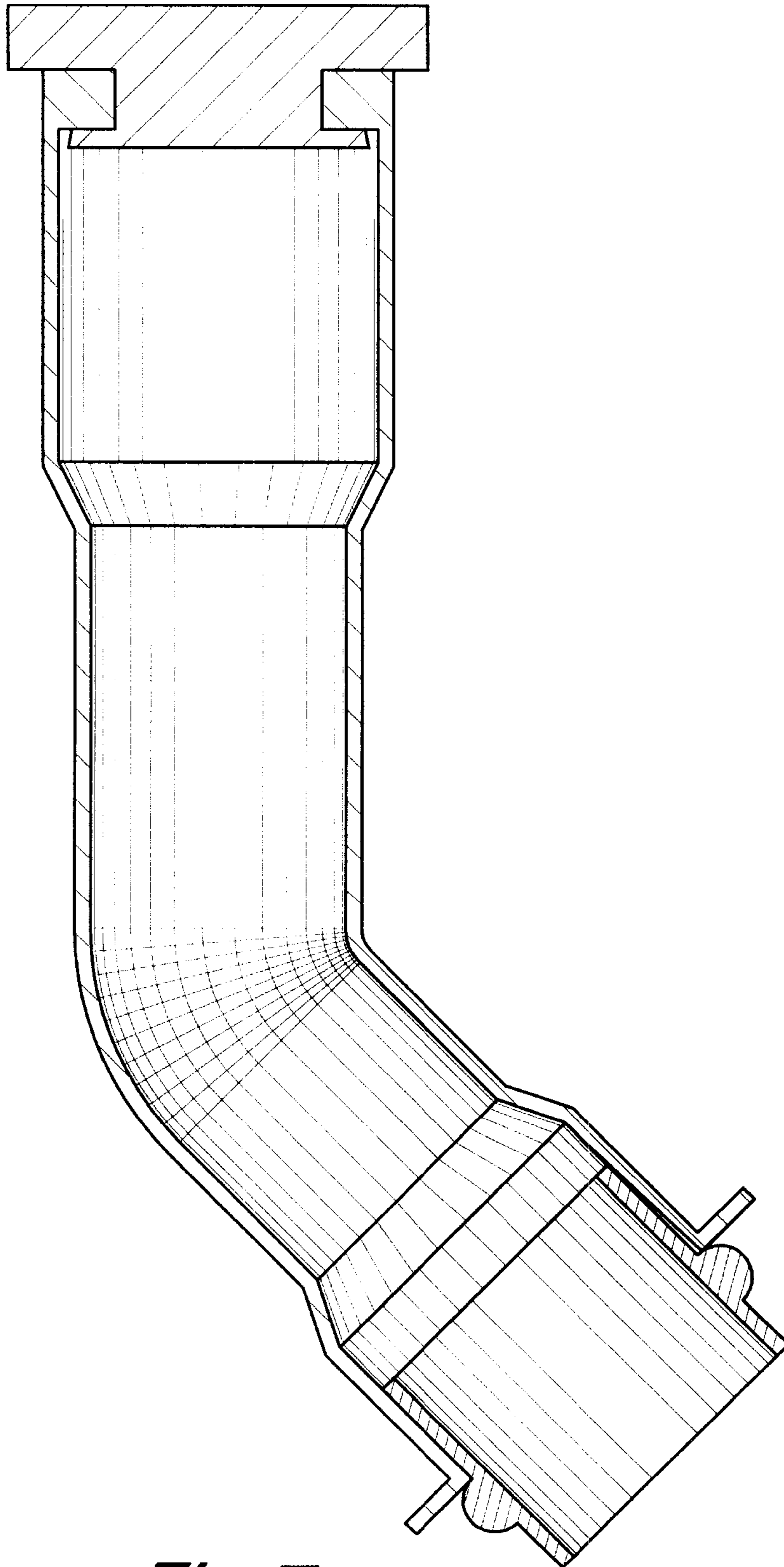


Fig. 7