



US00D420020S

United States Patent [19] Morita

[11] **Patent Number: Des. 420,020**

[45] **Date of Patent: ** Feb. 1, 2000**

[54] **PUNCHING MACHINE**

5,598,635 2/1997 Saito 30/362
5,630,277 5/1997 Kimura 30/362

[75] Inventor: **Ko Morita**, Ayase, Japan

[73] Assignee: **Kabushiki Kaisha Ogura**, Japan

[**] Term: **14 Years**

Primary Examiner—Antoine Duval Davis
Attorney, Agent, or Firm—Adams & Wilks

[21] Appl. No.: **29/097,782**

[22] Filed: **Dec. 14, 1998**

[57] **CLAIM**

The ornamental design for a punching machine, as shown and described.

[51] **LOC (7) Cl.** **15-09**

[52] **U.S. Cl.** **D15/128**

[58] **Field of Search** D15/128, 199;
D8/61, 67; 30/361-367

DESCRIPTION

FIG. 1 is a front, left and bottom perspective view of a punching machine showing my new design; FIG. 2 is a front elevational view thereof; FIG. 3 is a rear elevational view thereof; FIG. 4 is a top plan view thereof; FIG. 5 is a bottom plan view thereof; FIG. 6 is a right side elevational view thereof; and, FIG. 7 is a left side elevational view thereof.

[56] **References Cited**

U.S. PATENT DOCUMENTS

D. 330,714 11/1992 Kimura D15/128
D. 333,142 2/1993 Kimura D15/128

1 Claim, 5 Drawing Sheets

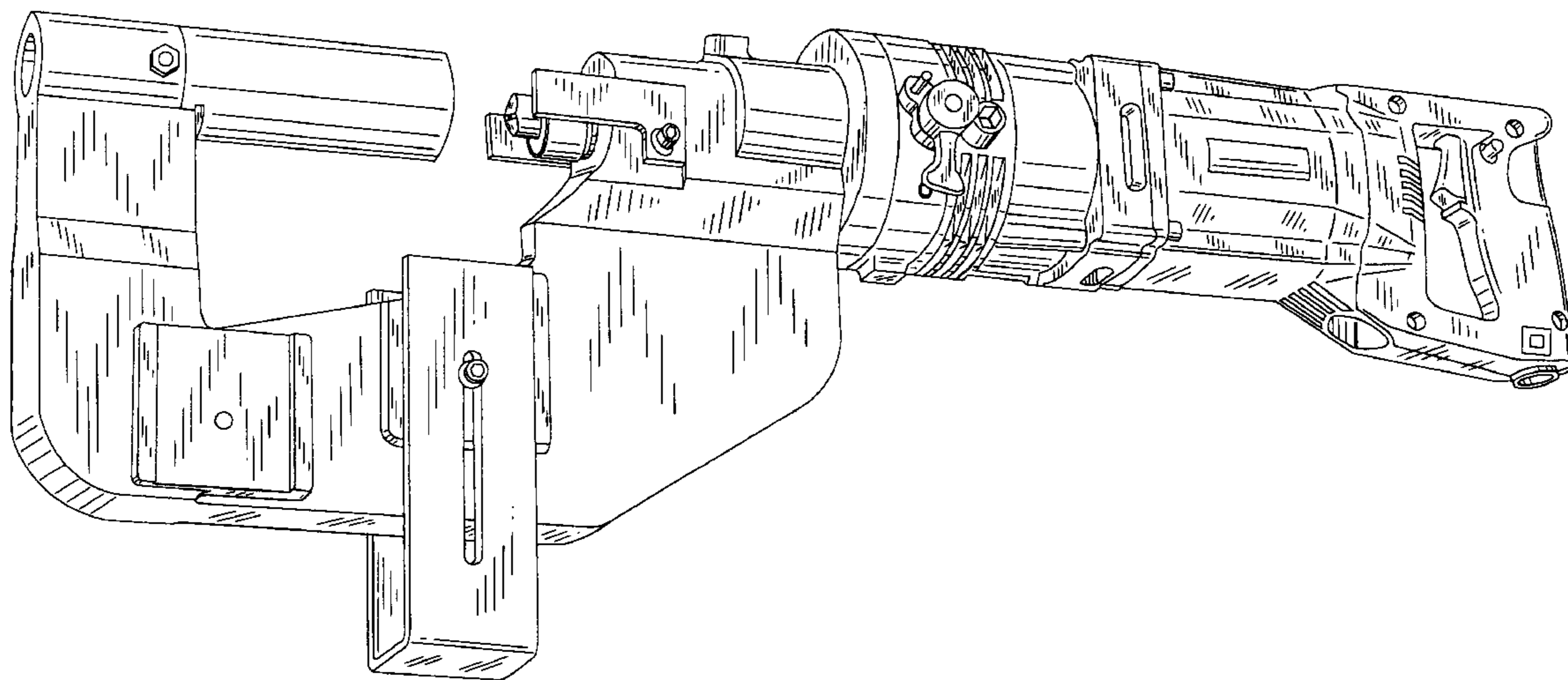


FIG. 1

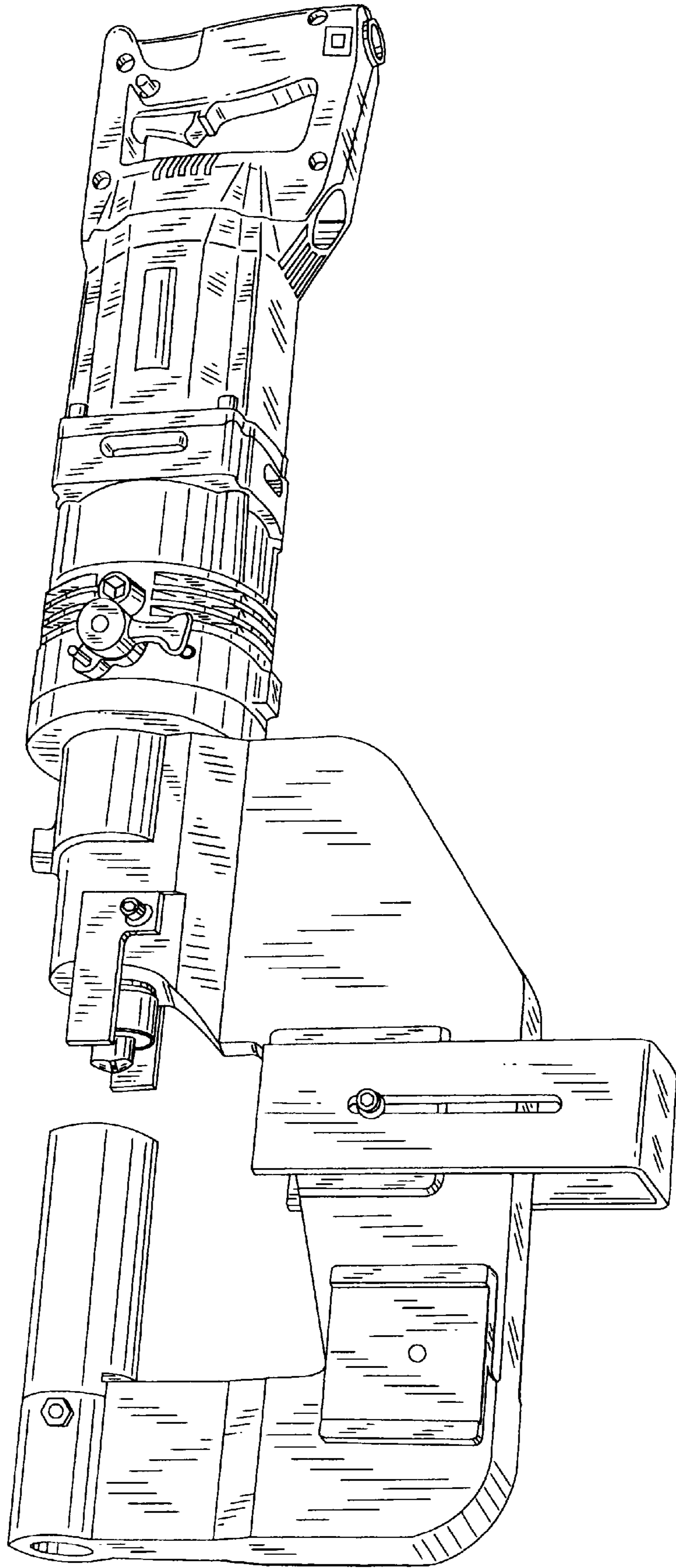


FIG. 2

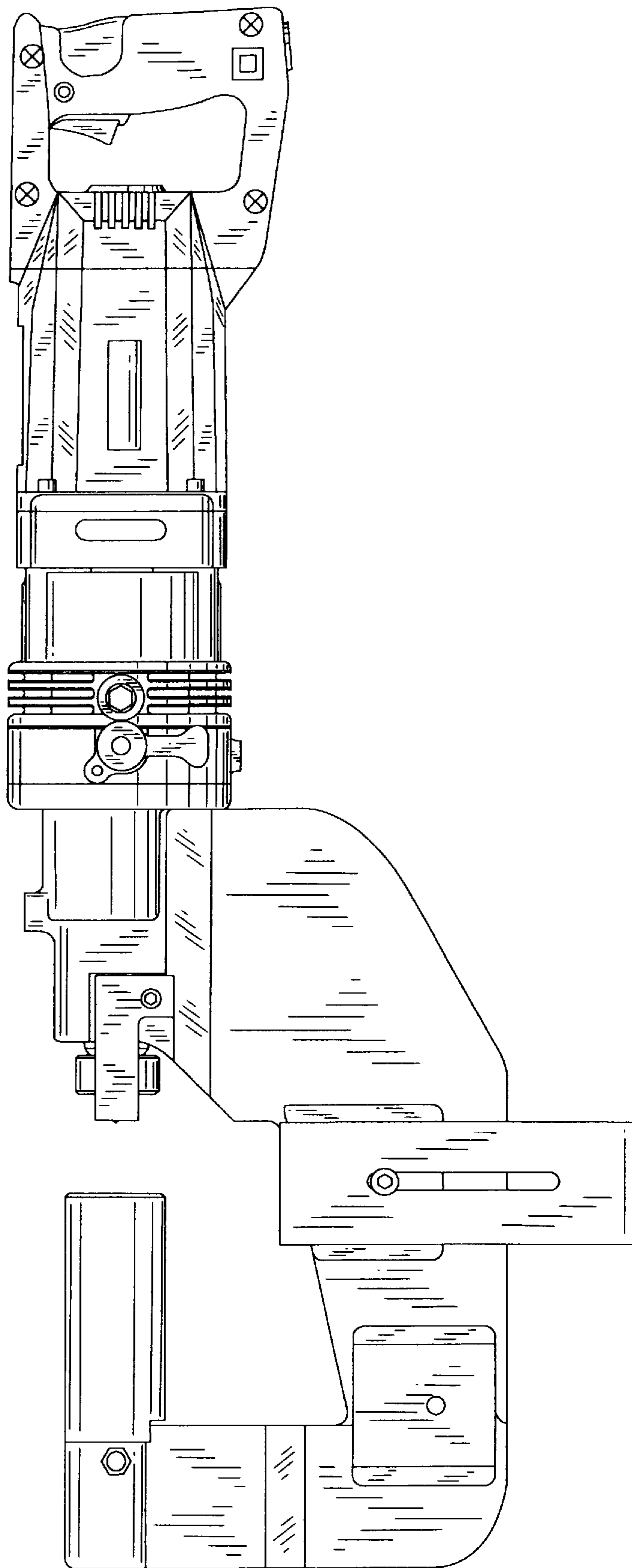


FIG. 3

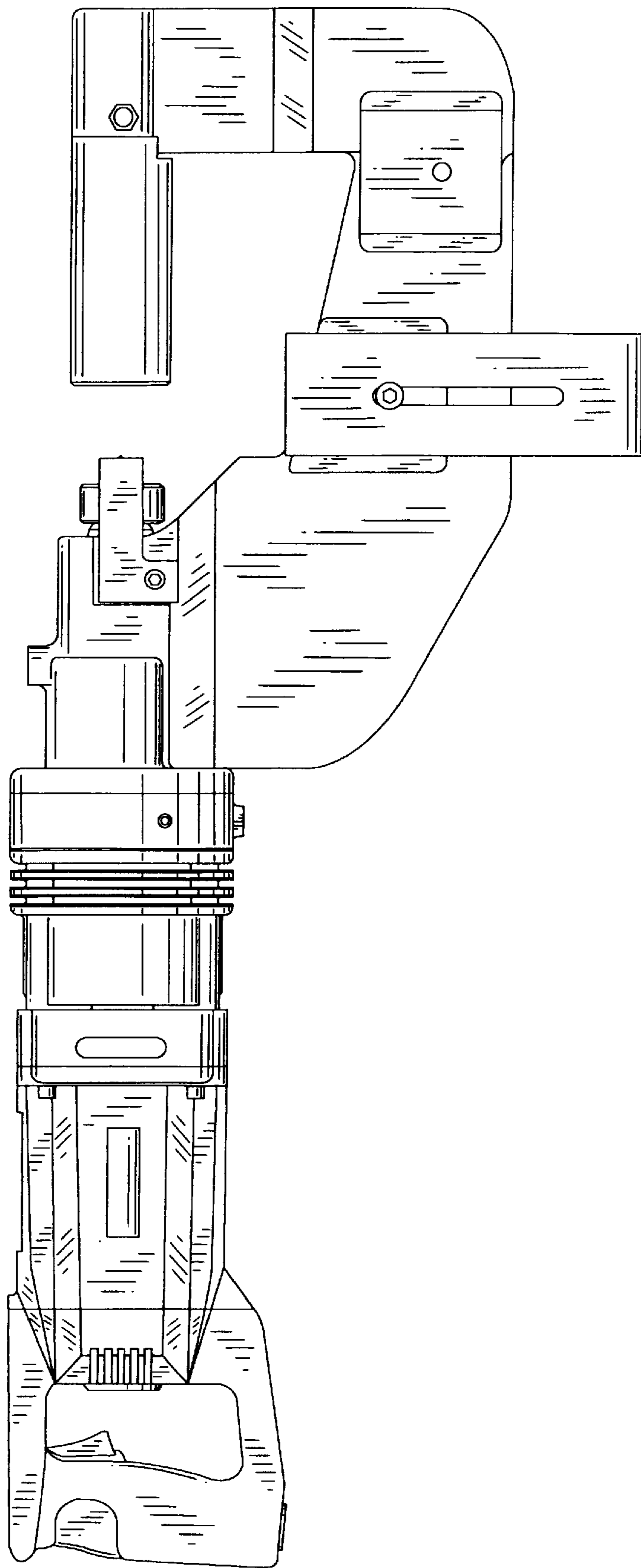


FIG. 4

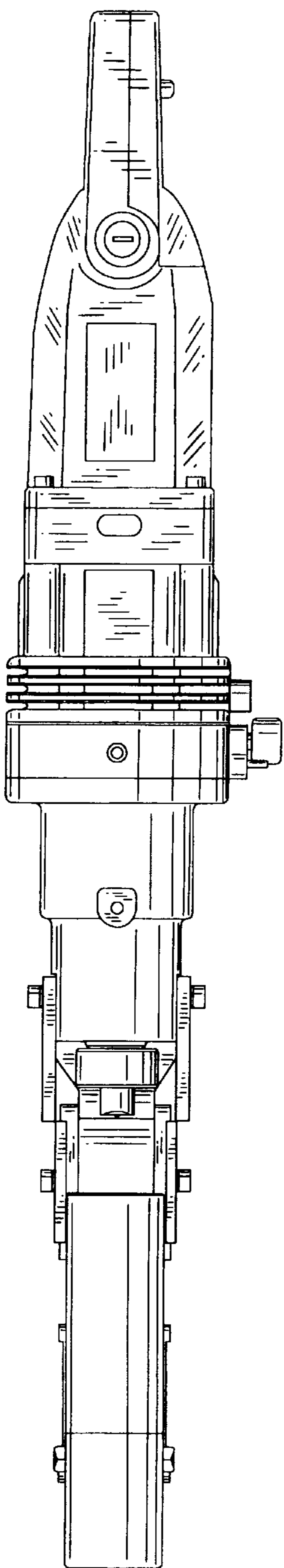


FIG. 5

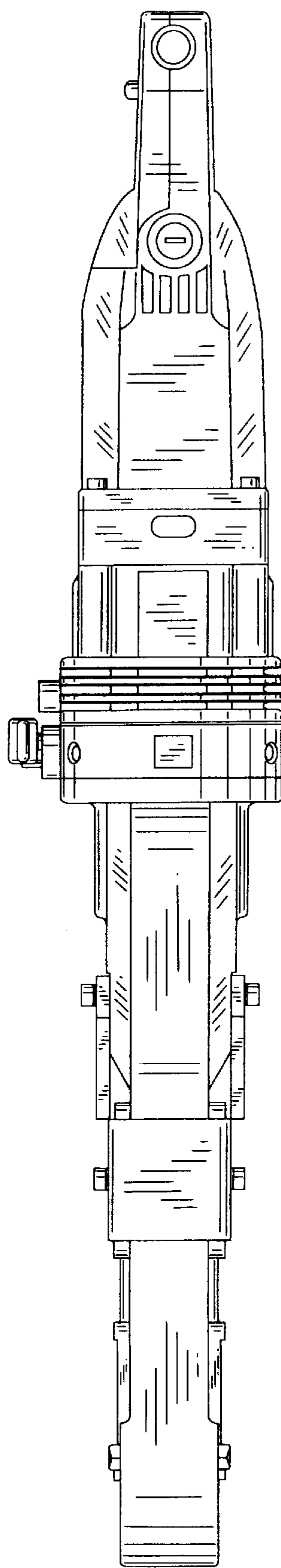


FIG. 6

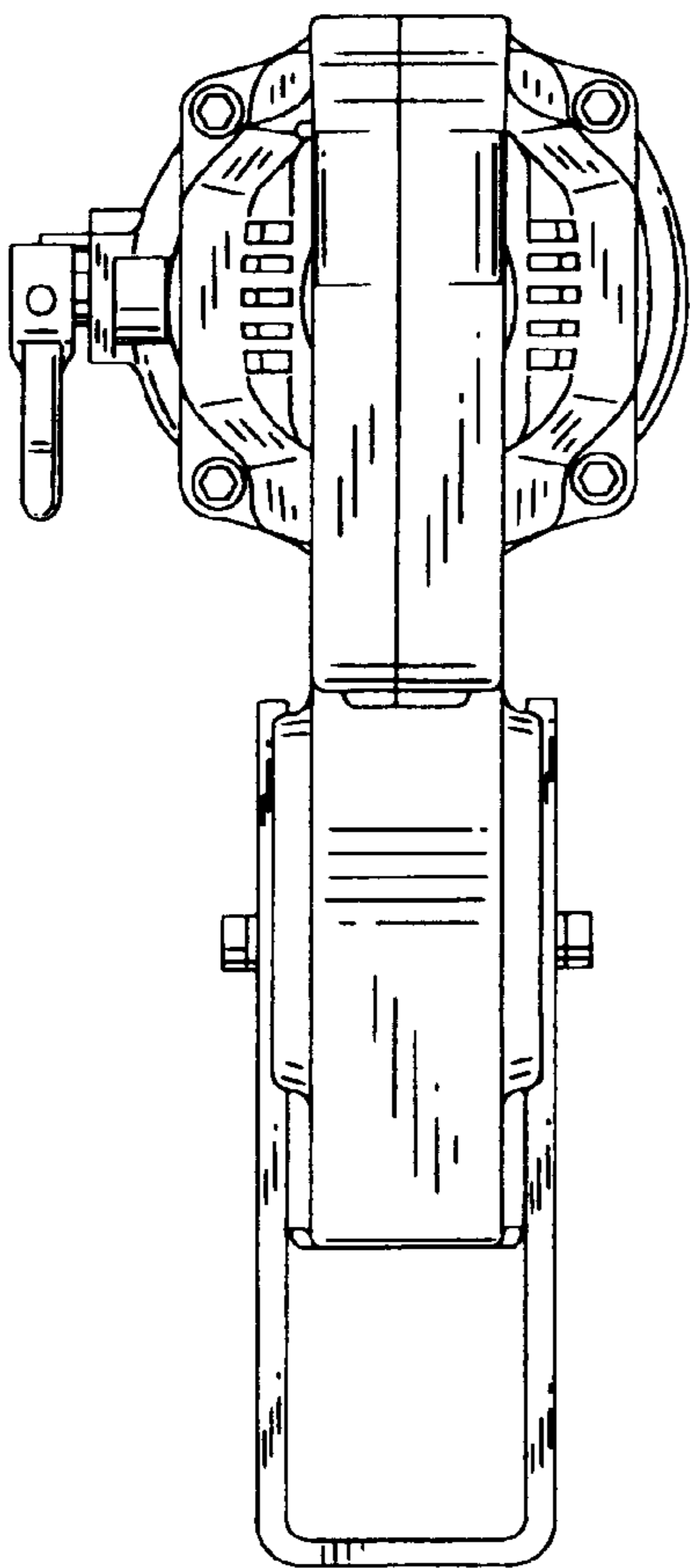


FIG. 7

