



US00D420018S

United States Patent [19]

Kuchta et al.

[11] Patent Number: Des. 420,018

[45] Date of Patent: ** Feb. 1, 2000

[54] CLOTH CUTTING MACHINE TABLE

[75] Inventors: **Richard Kuchta**, Shickshinny, Pa.;
Joseph R. Vivirito, South Windsor;
Robert M. Vaida, Ellington, both of
Conn.; **Gordon Randall Perry**, New
York, N.Y.; **George Reekie**, Salem,
Mass.; **Jude Tan**, South Ozone Park;
Eli Elysée, Brooklyn, both of N.Y.

[73] Assignee: **Gerber Technology, Inc.**, Tolland,
Conn.

[**] Term: **14 Years**

[21] Appl. No.: **29/093,199**

[22] Filed: **Sep. 4, 1998**

[51] LOC (7) Cl. **15-09**

[52] U.S. Cl. **D15/127**

[58] Field of Search D15/127; 83/29,
83/49, 76.7, 62; 364/474.2, 474.17, 474.3

[56] References Cited

U.S. PATENT DOCUMENTS

4,920,495 4/1990 Pilkington 364/474.03 X

Primary Examiner—Antoine Duval Davis
Attorney, Agent, or Firm—McCormick, Paulding & Huber
LLP

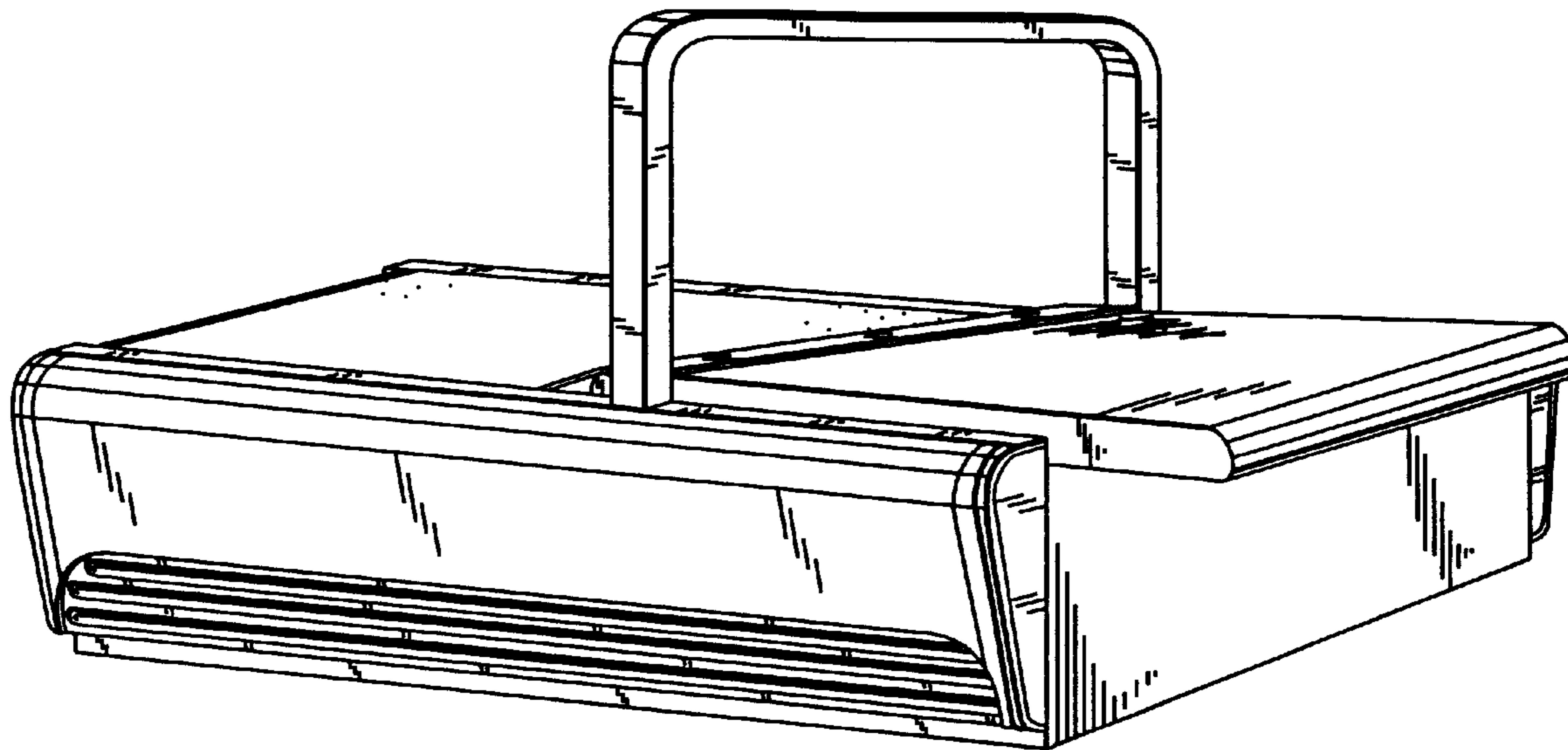
[57] CLAIM

The ornamental design for a cloth cutting machine table, as shown.

DESCRIPTION

FIG. 1 is a perspective view of a cloth cutting machine table showing our new design; FIG. 2 is a right end view; FIG. 3 is a left end view; FIG. 4 is a right side view; FIG. 5 is a left side view; and, FIG. 6 is a top view.

1 Claim, 5 Drawing Sheets



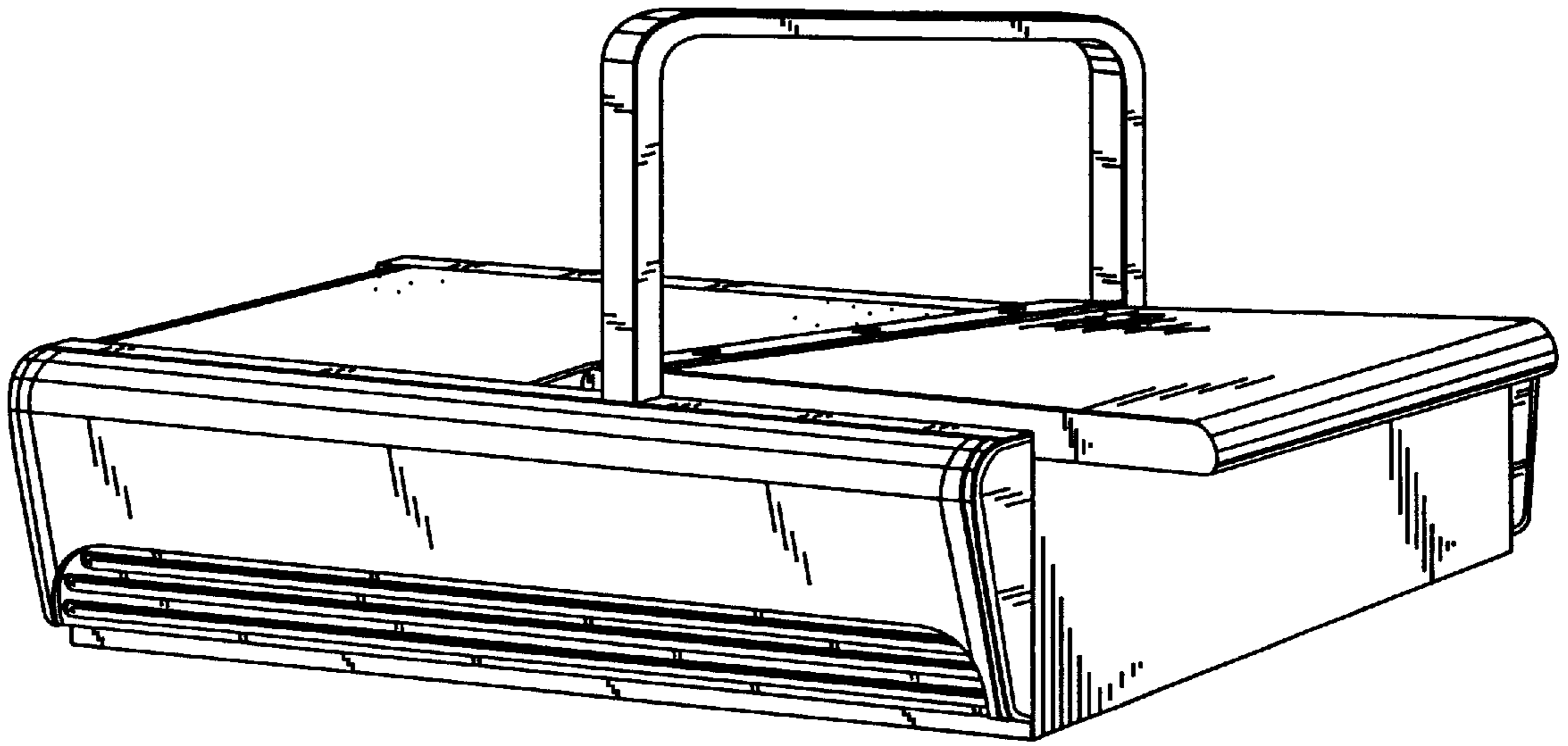


FIG. 1

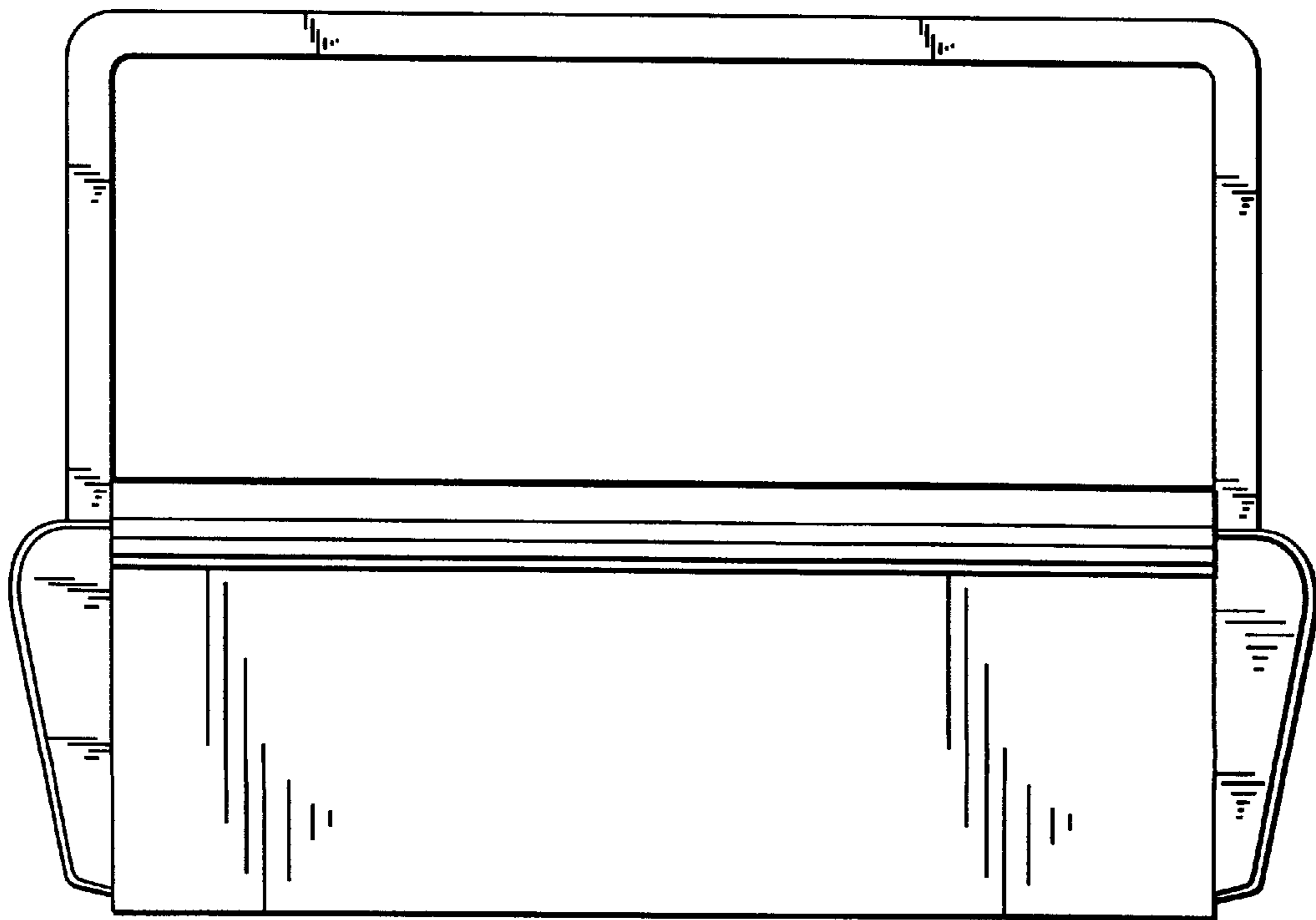


FIG. 2

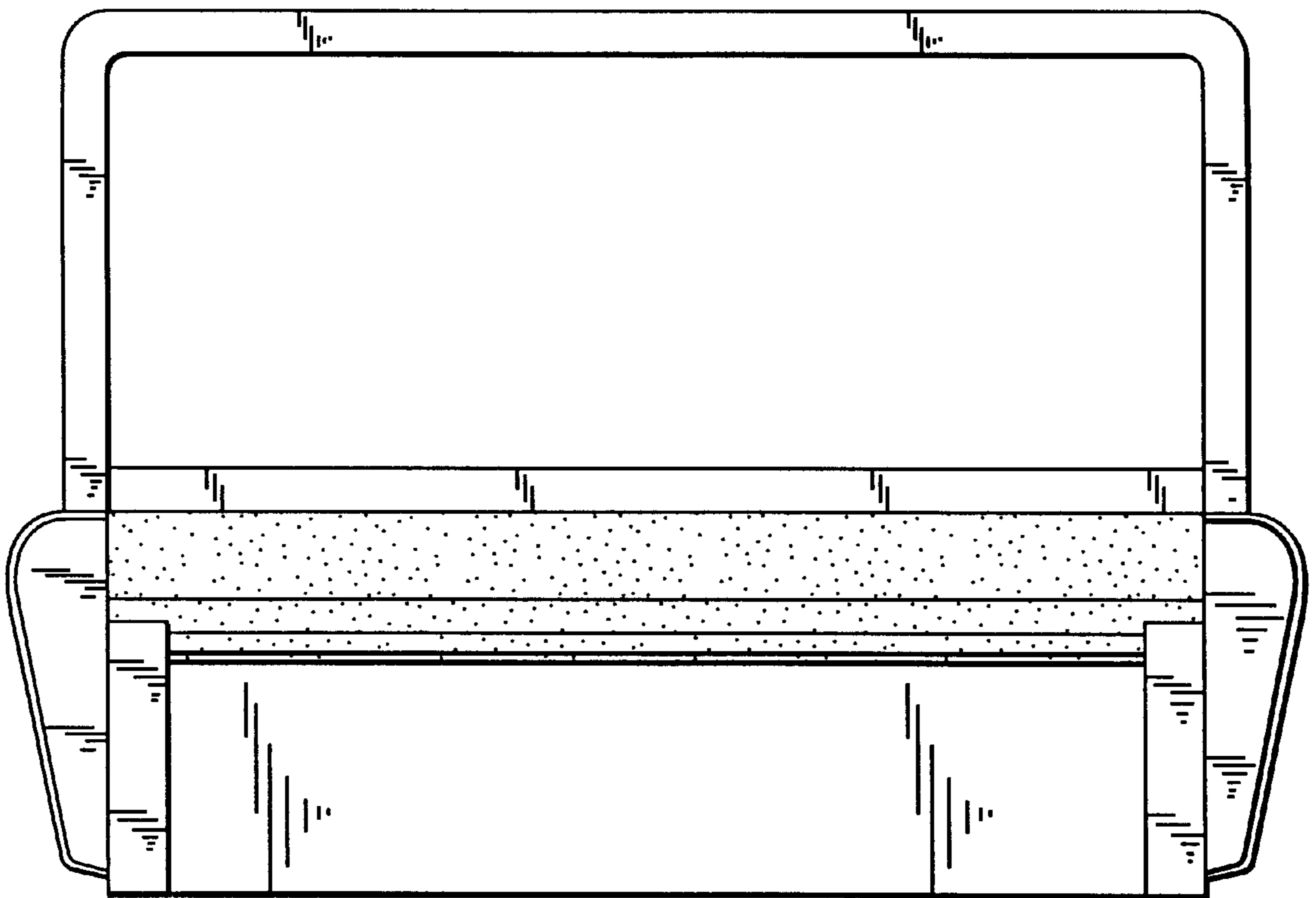


FIG. 3

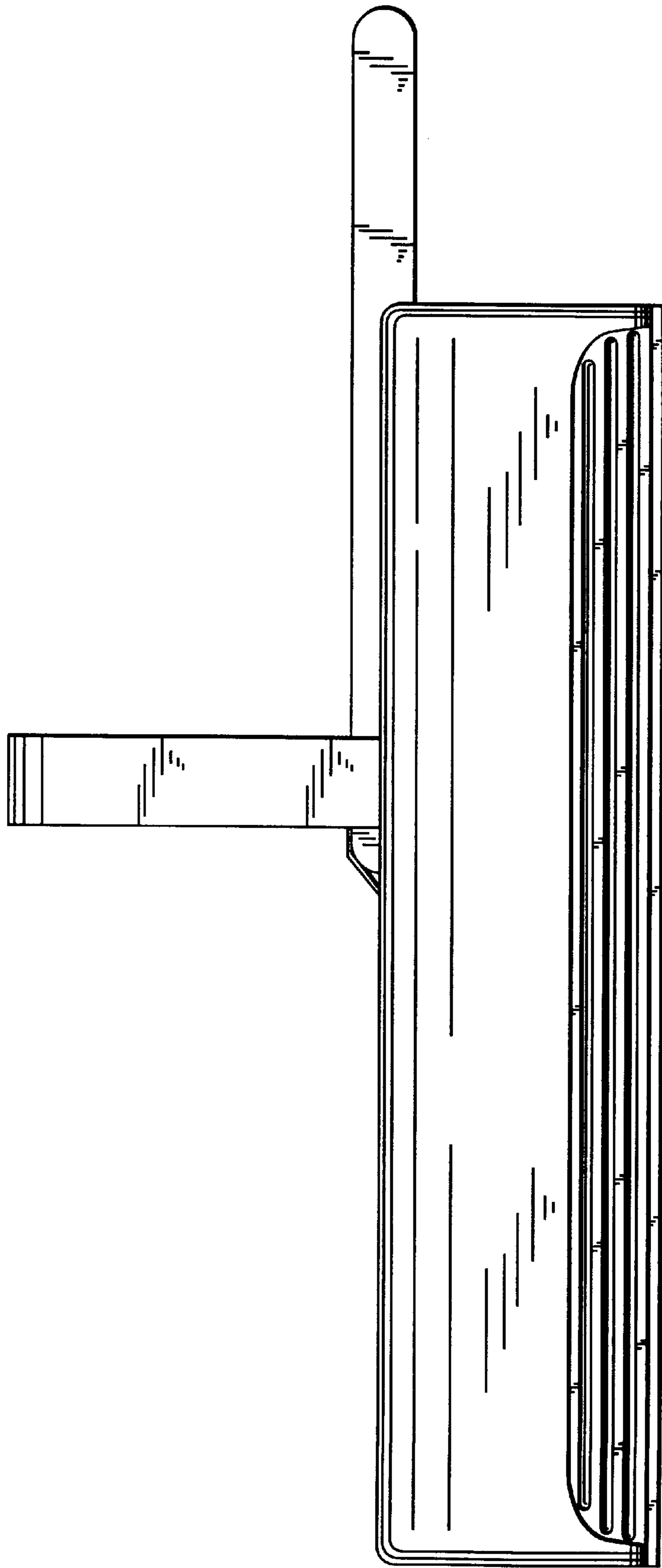


FIG. 4

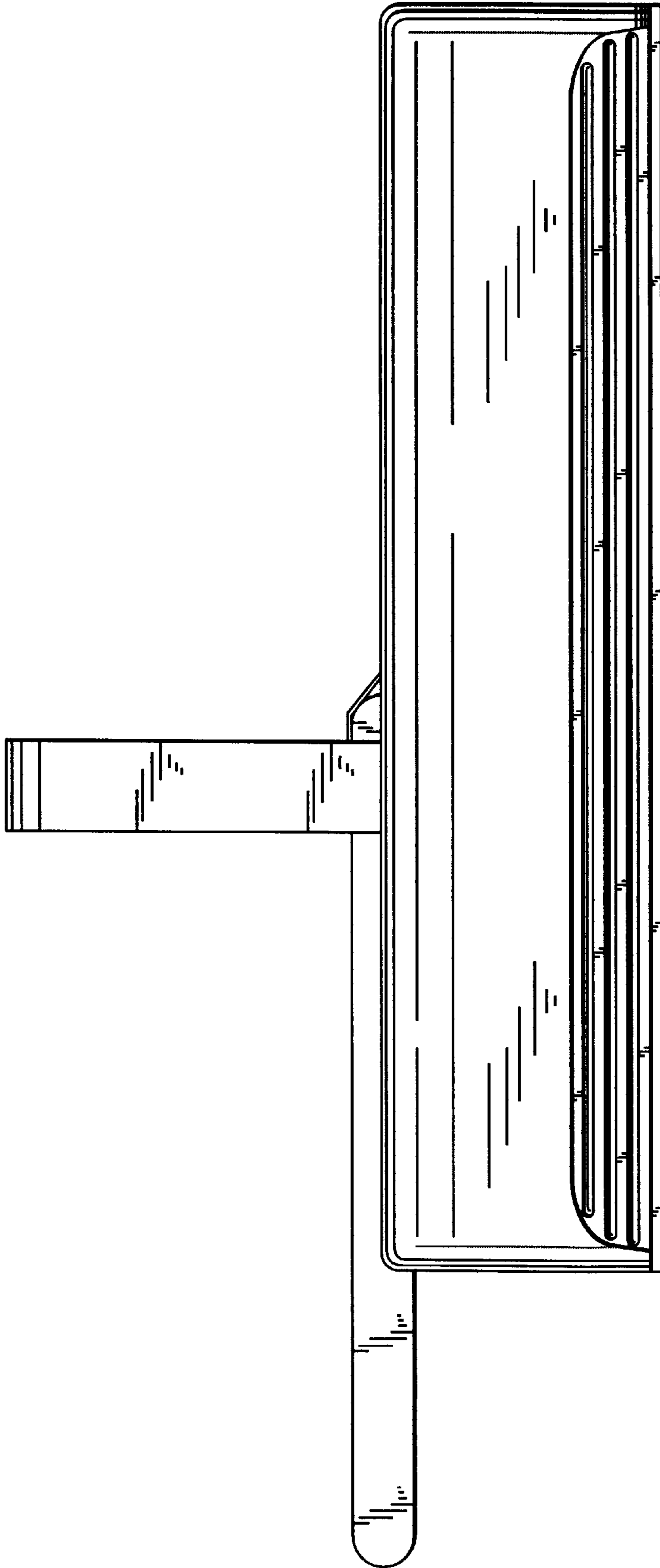


FIG. 5

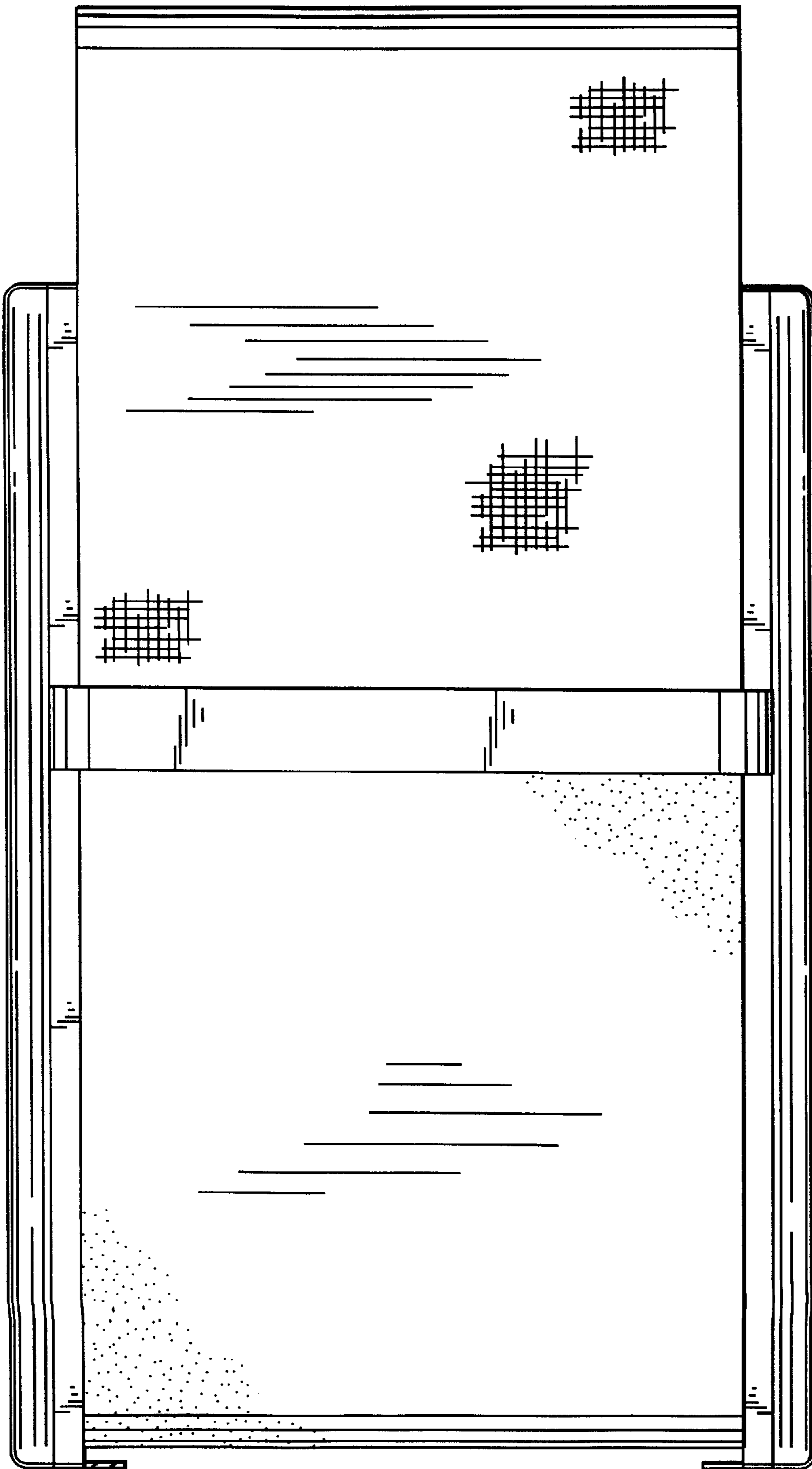


FIG. 6