



US00D420017S

United States Patent [19]

Domingo et al.

[11] Patent Number: **Des. 420,017**

[45] Date of Patent: **** Feb. 1, 2000**

[54] **CAN CRUSHING DEVICE**

[76] Inventors: **Gregory Domingo; Steve Cardwell**,
both of 2405 W. Pueblo Ave., Napa,
Calif. 94558

[**] Term: **14 Years**

[21] Appl. No.: **29/099,385**

[22] Filed: **Jan. 20, 1999**

[51] **LOC (7) Cl.** **15-09**

[52] **U.S. Cl.** **D15/123**

[58] **Field of Search** D15/123; 100/278,
100/233, 266, 245, 295, 902

[56] **References Cited**

U.S. PATENT DOCUMENTS

4,561,351	12/1985	Ader	100/233
4,970,951	11/1990	Katz	100/289
5,167,343	12/1992	Winfrey	220/404
5,287,803	2/1994	Cole	100/45
5,347,923	9/1994	Villiger	100/137

Primary Examiner—Antoine Duval Davis
Attorney, Agent, or Firm—Goldstein & Canino

[57] **CLAIM**

The ornamental design for a can crushing device, as shown and described.

DESCRIPTION

FIG. 1 is a diagrammatic perspective view of the can crushing device in the open position in full lines with a can shown in broken lines representing environmental association matter being for illustrative purposes only and forming no part of the claimed invention.

FIG. 2 is a diagrammatic perspective view of the can crushing device in the closed position in full lines with a crushed can shown in broken lines representing environmental association matter being for illustrative purposes only and forming no part of the claimed invention.

FIG. 3 is a right side elevational view of the can crushing device in the open position.

FIG. 4 is a left side elevational view thereof.

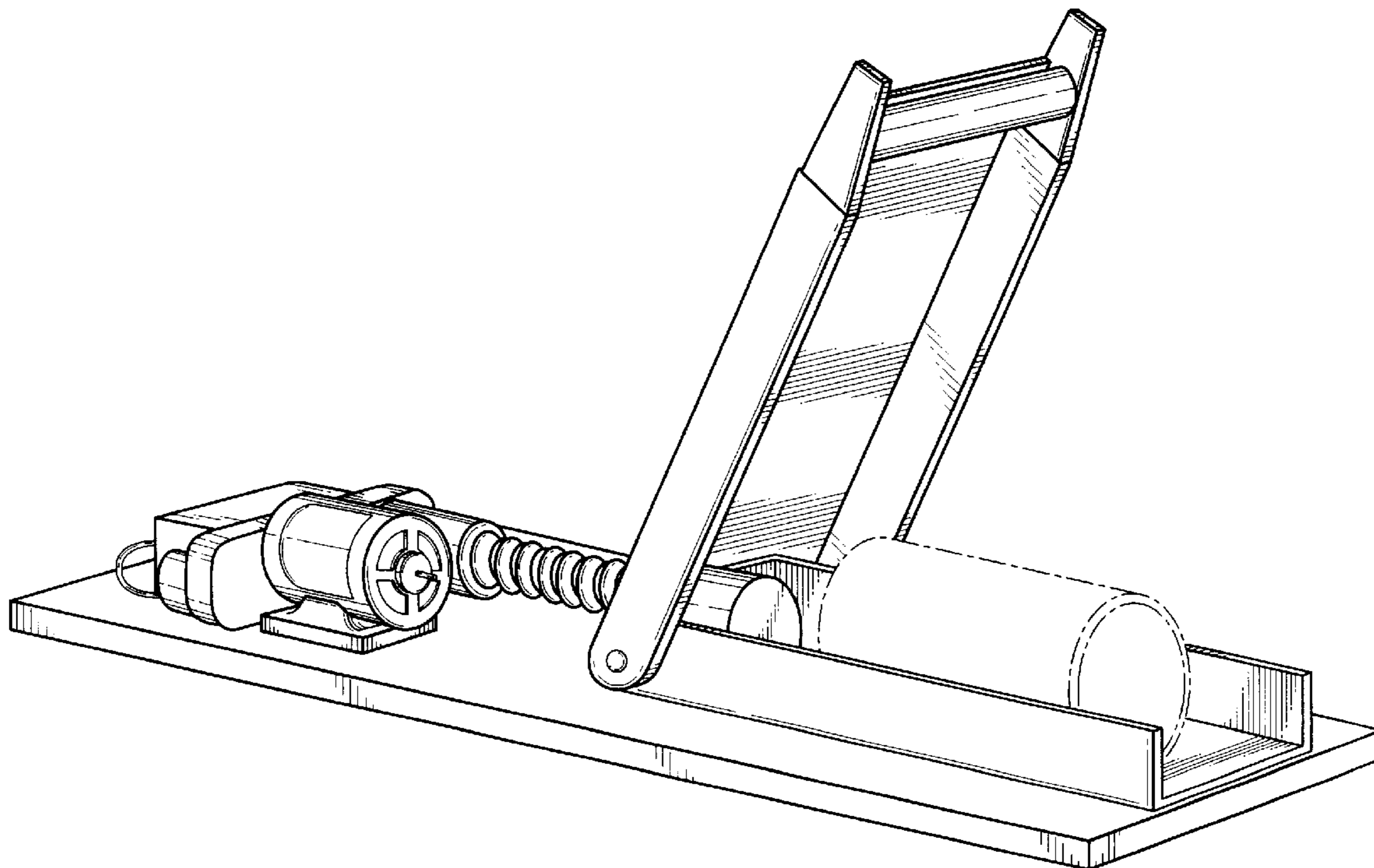
FIG. 5 is a top plan view thereof.

FIG. 6 is a bottom plan view thereof.

FIG. 7 is a front elevational view of the can crushing device in the open position; and,

FIG. 8 is a rear elevational view thereof.

1 Claim, 3 Drawing Sheets



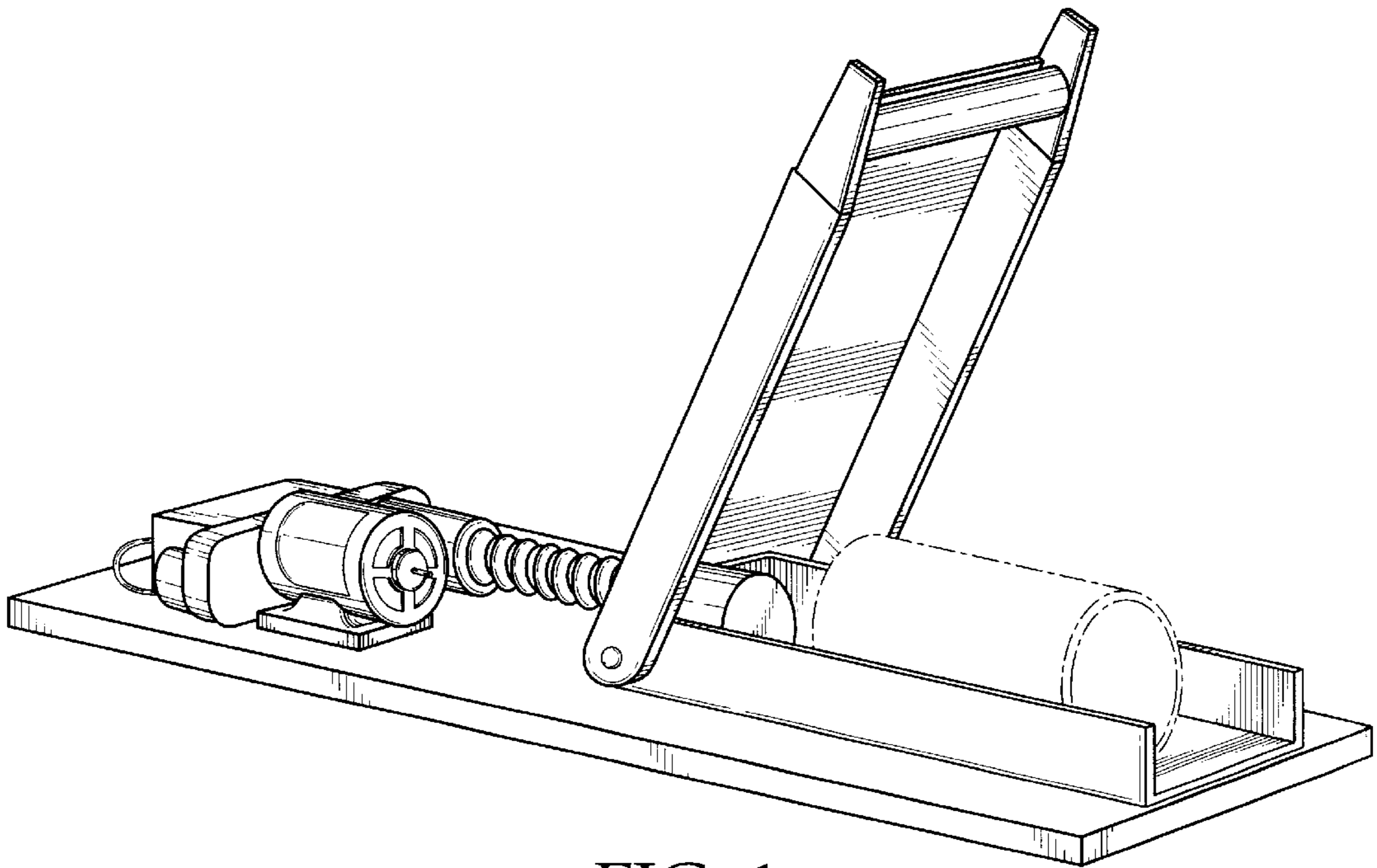


FIG. 1

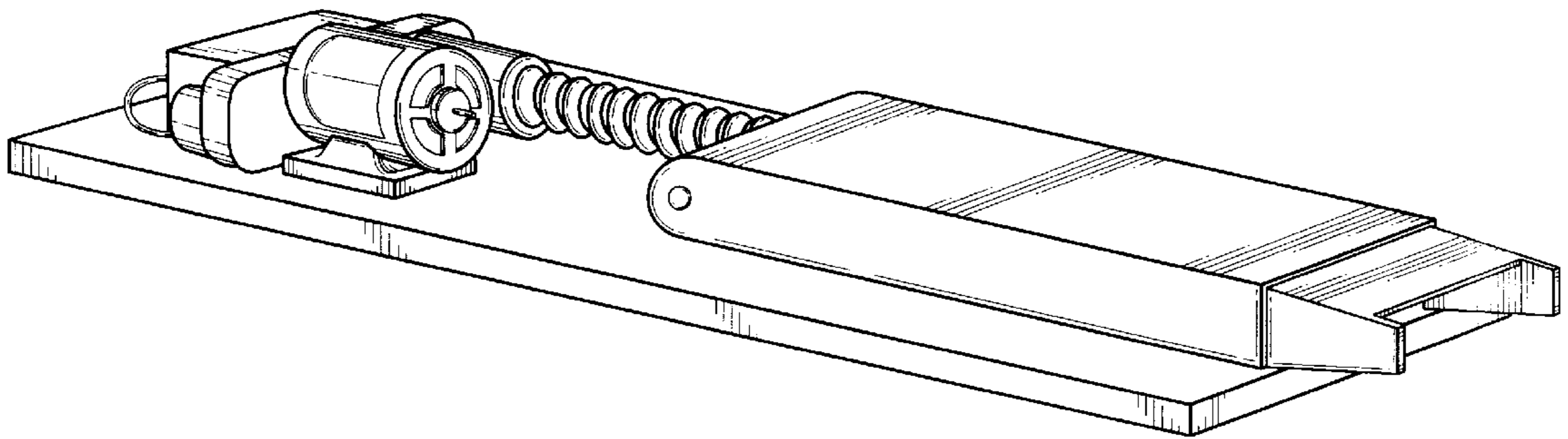
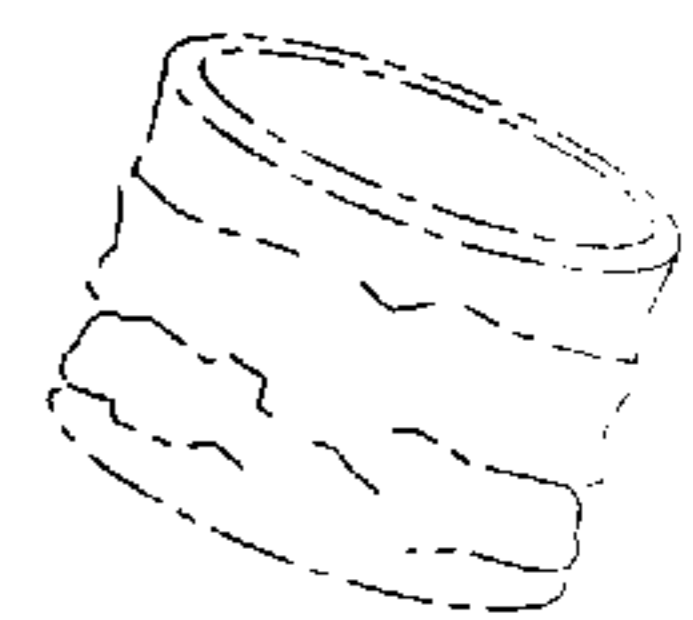


FIG. 2



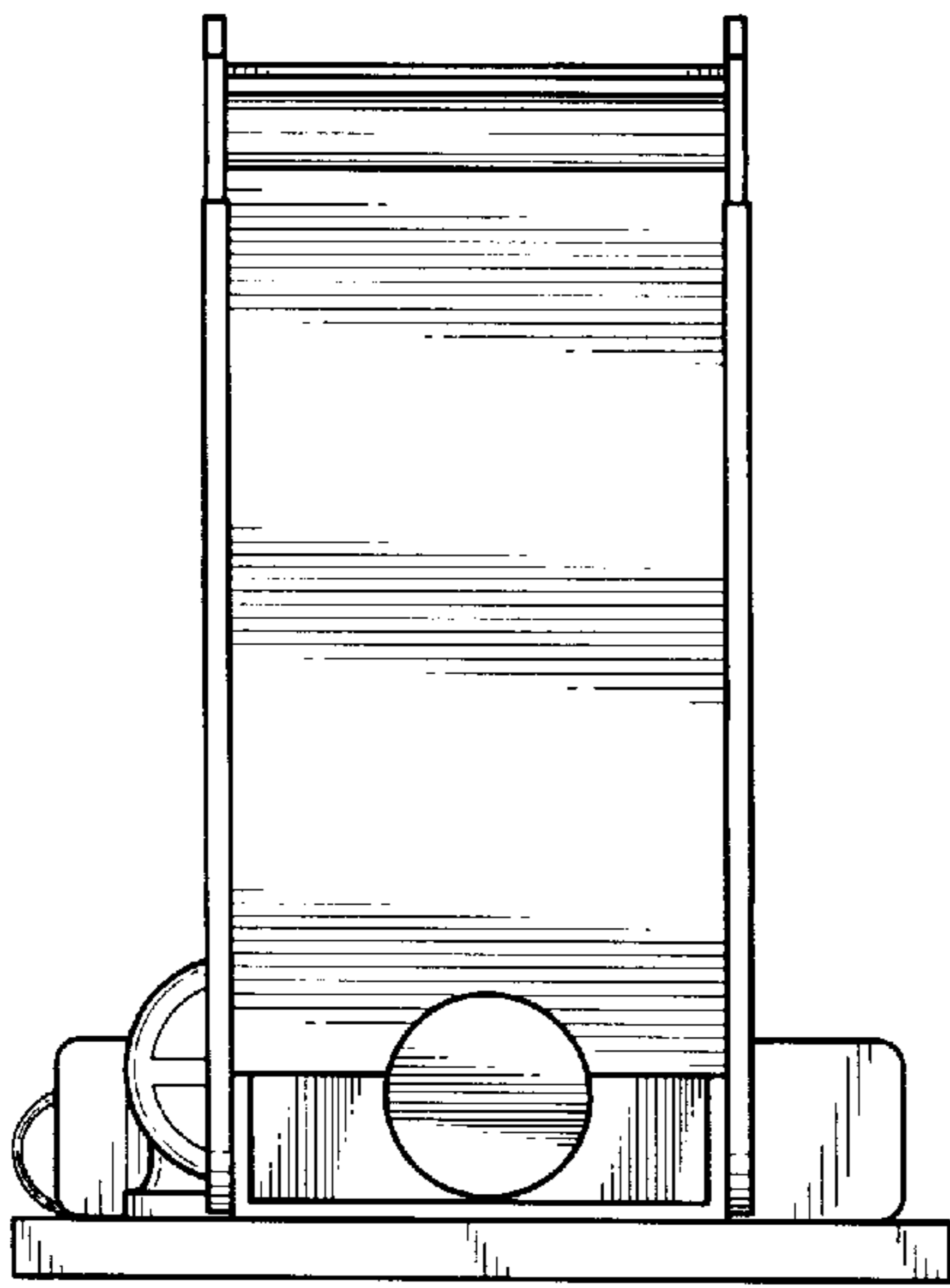


FIG. 3

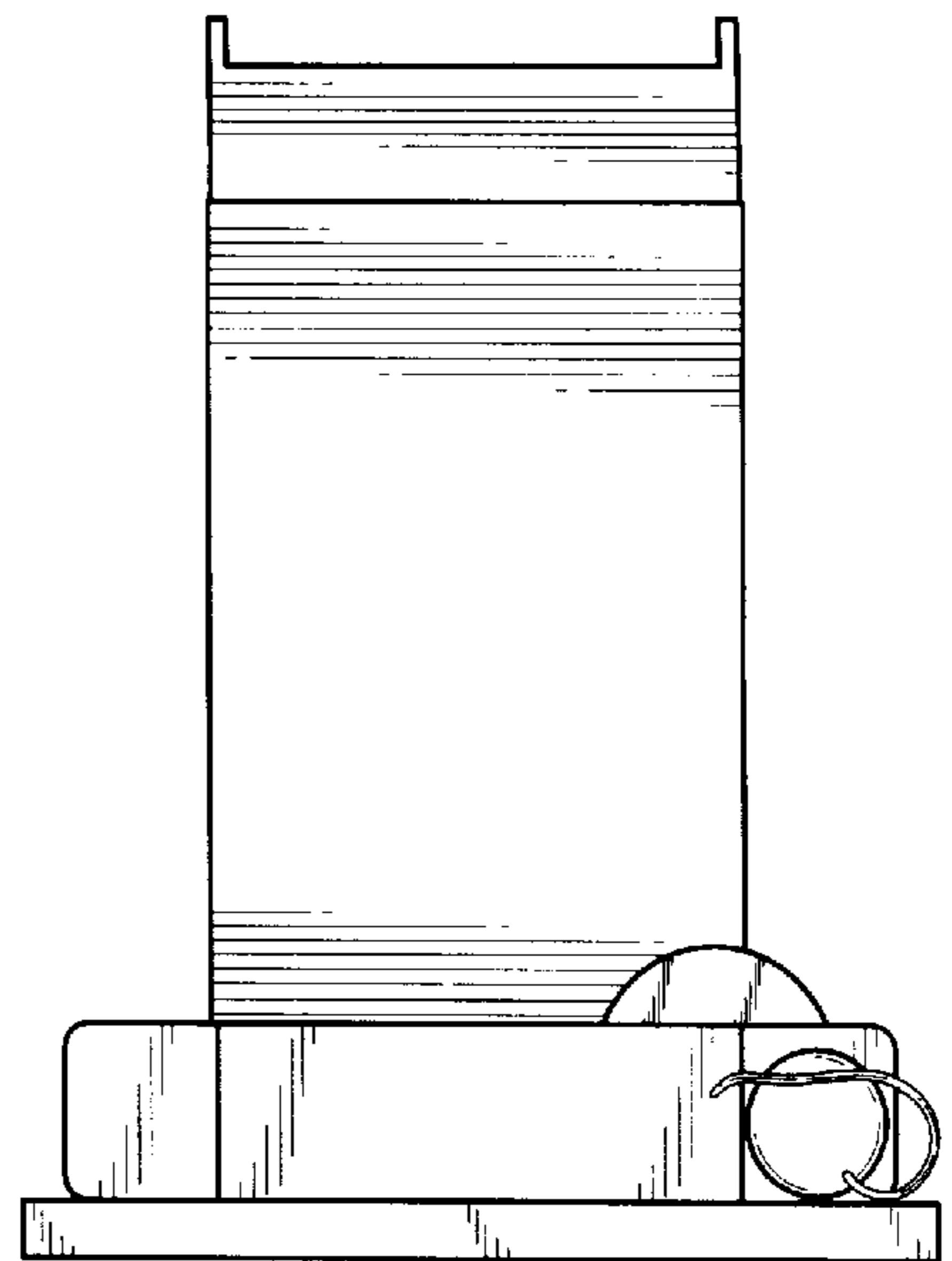


FIG. 4

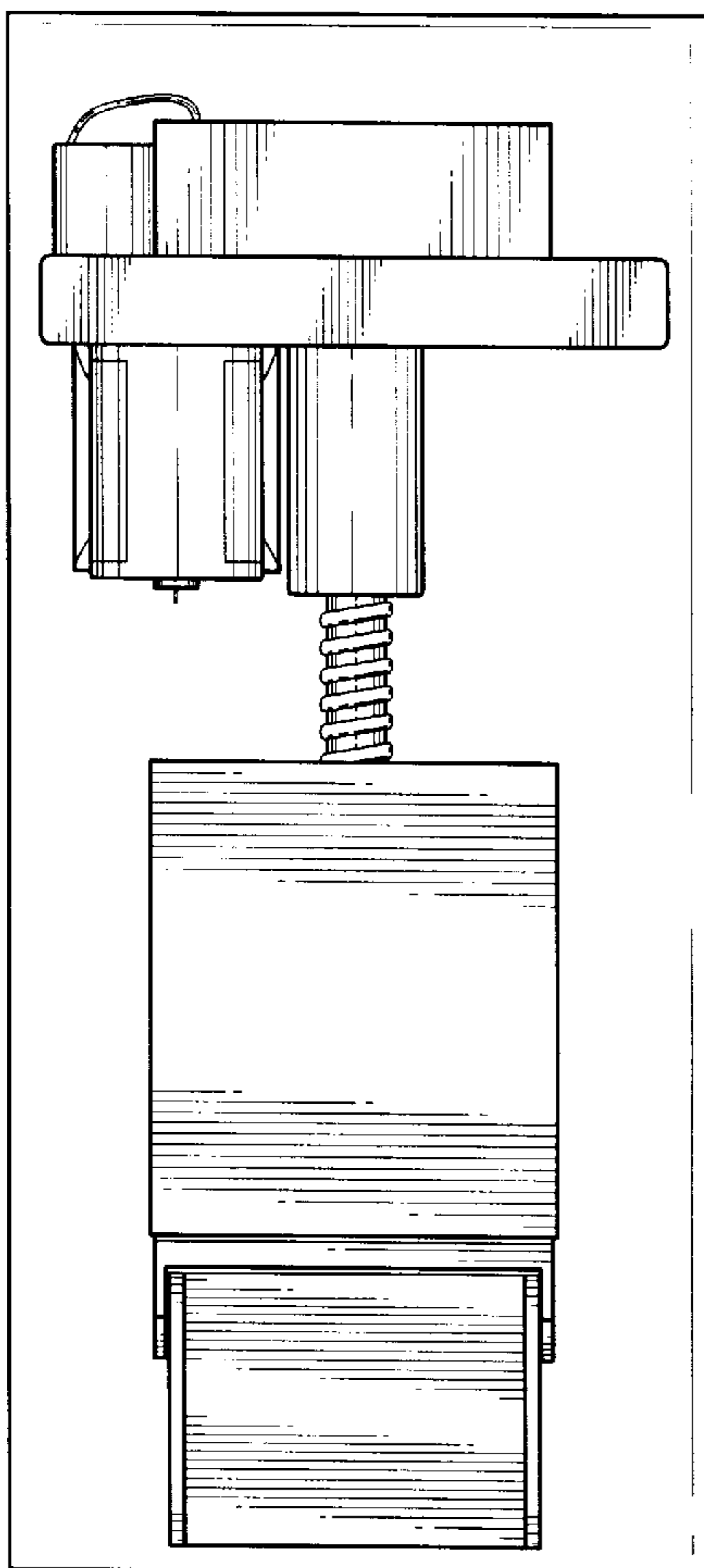


FIG. 5

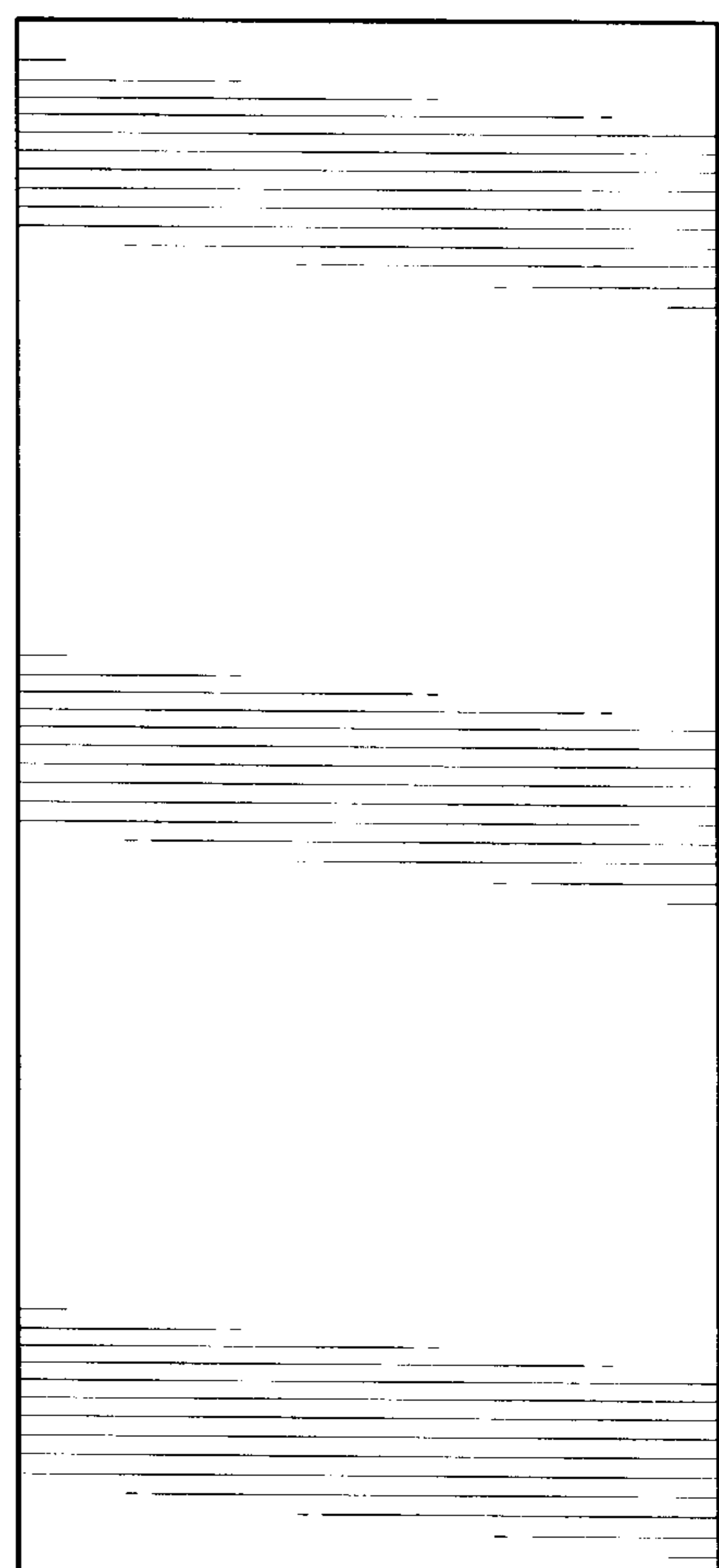


FIG. 6

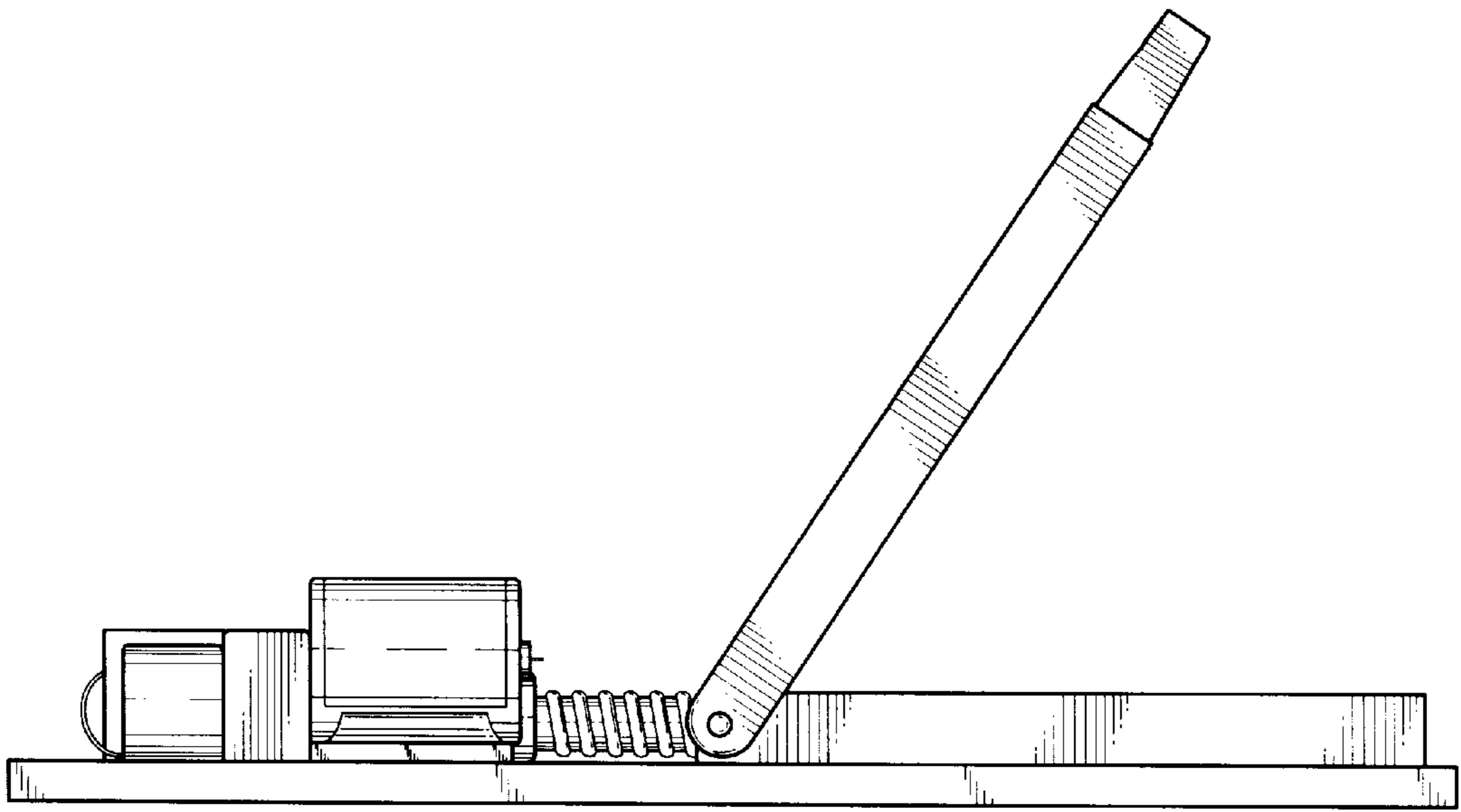


FIG. 7

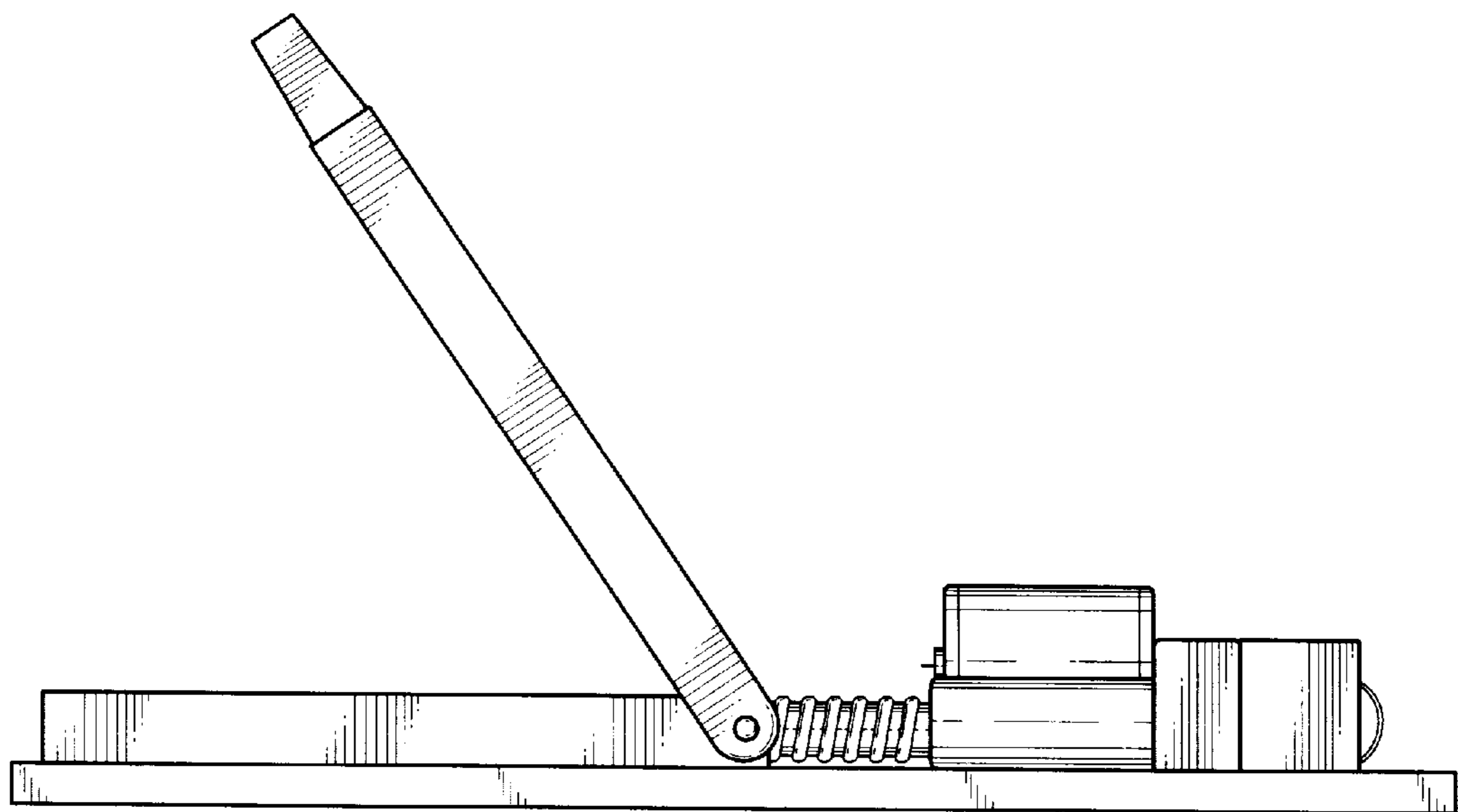


FIG. 8