



US00D420015S

**United States Patent** [19]  
**DeBoer**

[11] **Patent Number: Des. 420,015**

[45] **Date of Patent: \*\* Feb. 1, 2000**

[54] **END CAP FOR A REFRIGERATOR DOOR**

[75] Inventor: **Jeffrey A. DeBoer**, Ann Arbor, Mich.

[73] Assignee: **Whirlpool Corporation**, Benton Harbor, Mich.

[\*\*] Term: **14 Years**

[21] Appl. No.: **29/098,504**

[22] Filed: **Dec. 31, 1998**

[51] **LOC (7) Cl.** ..... **15-07**

[52] **U.S. Cl.** ..... **D15/89**

[58] **Field of Search** ..... D15/79-91; 62/293,  
62/339, 373, 440, 441, 457; 312/116, 138.1,  
139.1, 236, 401, 405

[56] **References Cited**

**U.S. PATENT DOCUMENTS**

D. 184,125	12/1958	Ferar	.....	D15/91
D. 205,107	6/1966	Costantini et al.	.....	D15/85
D. 358,598	5/1995	Edman	.....	D15/85

*Primary Examiner*—Sandra L. Morris  
*Attorney, Agent, or Firm*—Andrea Powers Denklau; Joel M. Van Winkle; Robert O. Rice

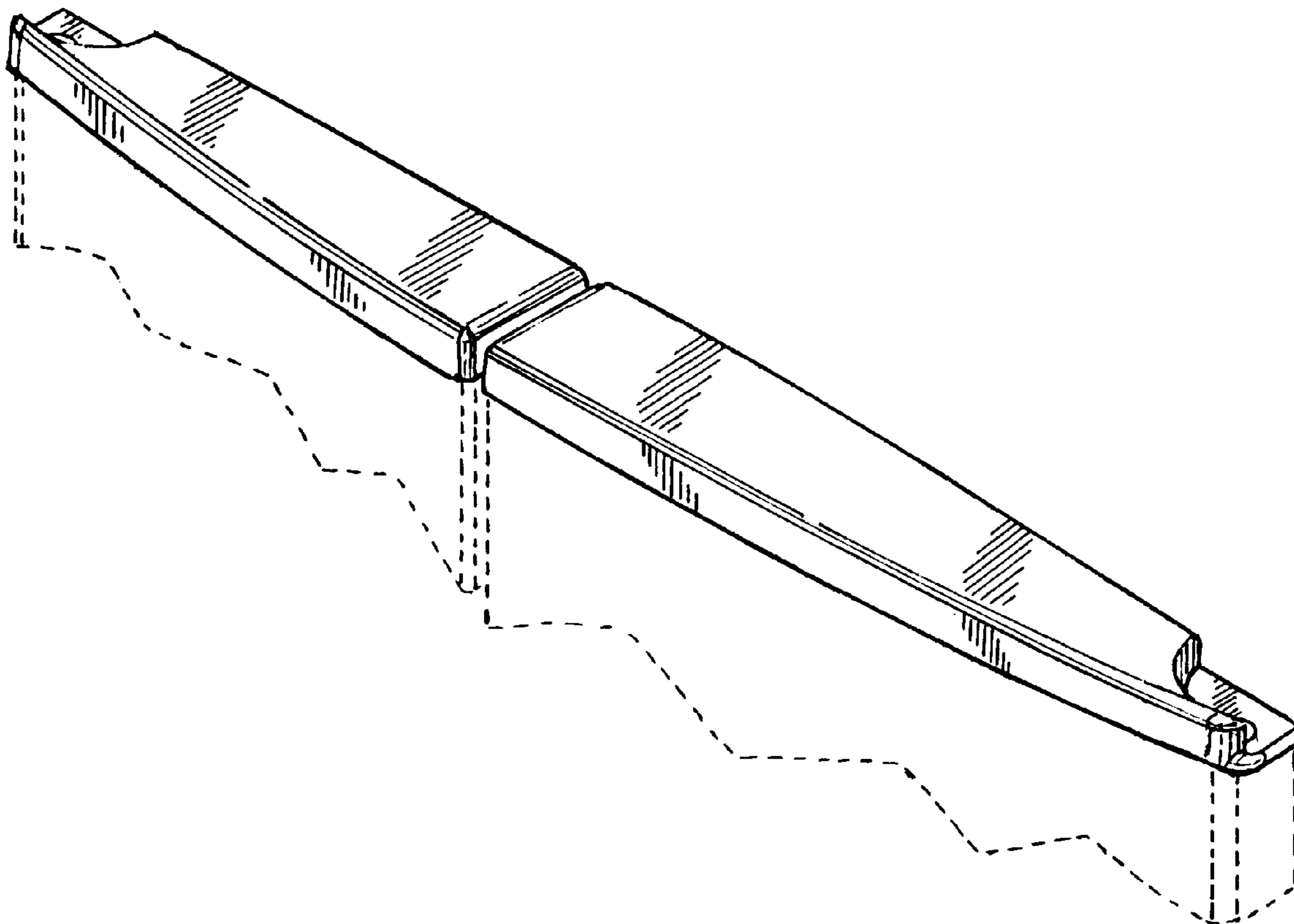
[57] **CLAIM**

The ornamental design for an end cap for a refrigerator door, as shown and described.

**DESCRIPTION**

FIG. 1 is a front perspective view of an end cap for a refrigerator door;  
FIG. 2 is an overhead isometric view of the end caps;  
FIG. 3 is a top plan view of the end caps;  
FIG. 4 is a front elevational view of the end caps; and,  
FIG. 5 is an end elevational view of the right end caps of FIGS. 1-4, the opposite end being a mirror image thereof. The broken line showing of the refrigerator in FIGS. 1, 2, 4 and 5 is for illustrative purposes only, and forms no part of the claimed design.  
FIGS. 2-5 are shown on an enlarged scale.  
Rear and bottom views are not shown as they are unornamented.

**1 Claim, 2 Drawing Sheets**



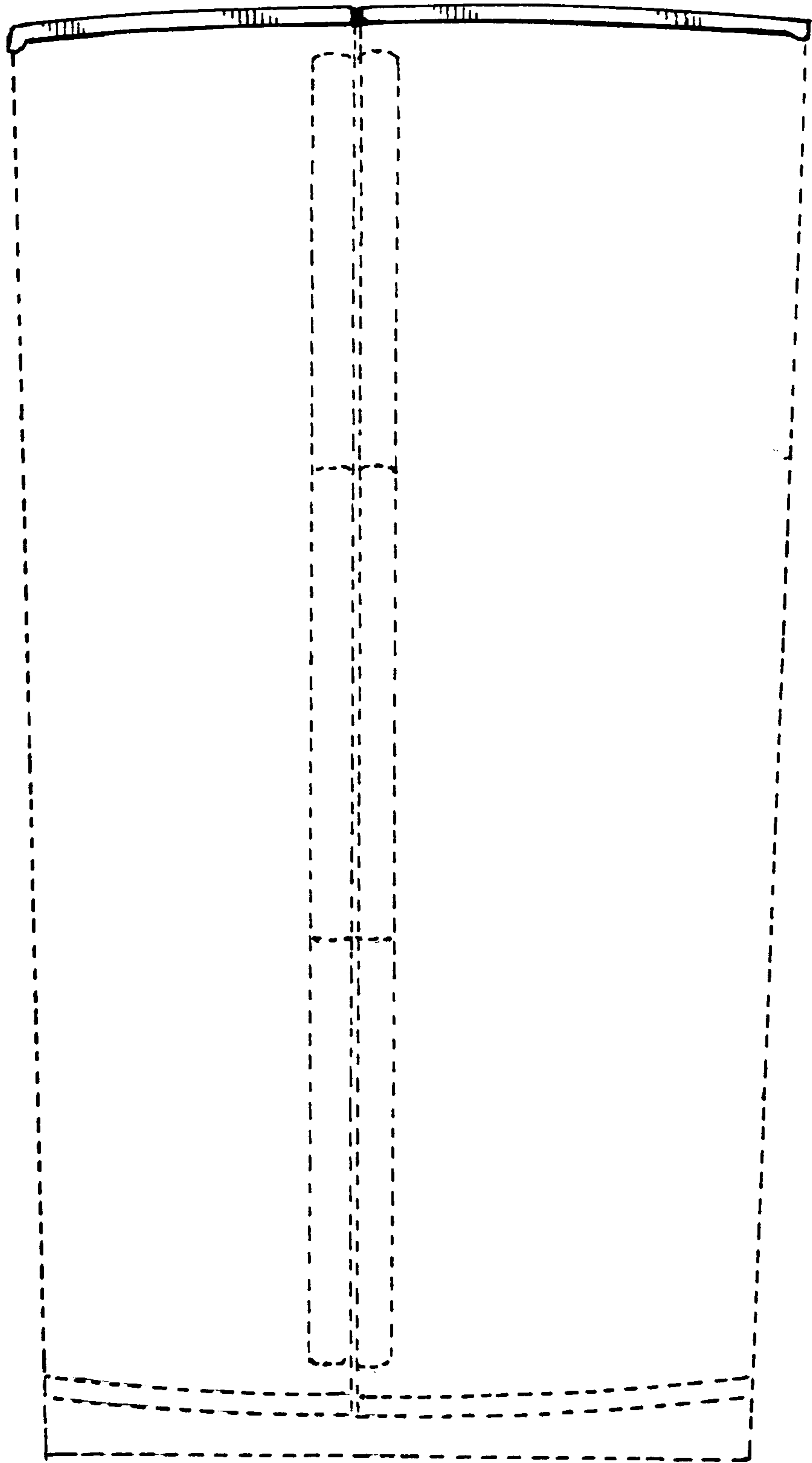


FIG. 1

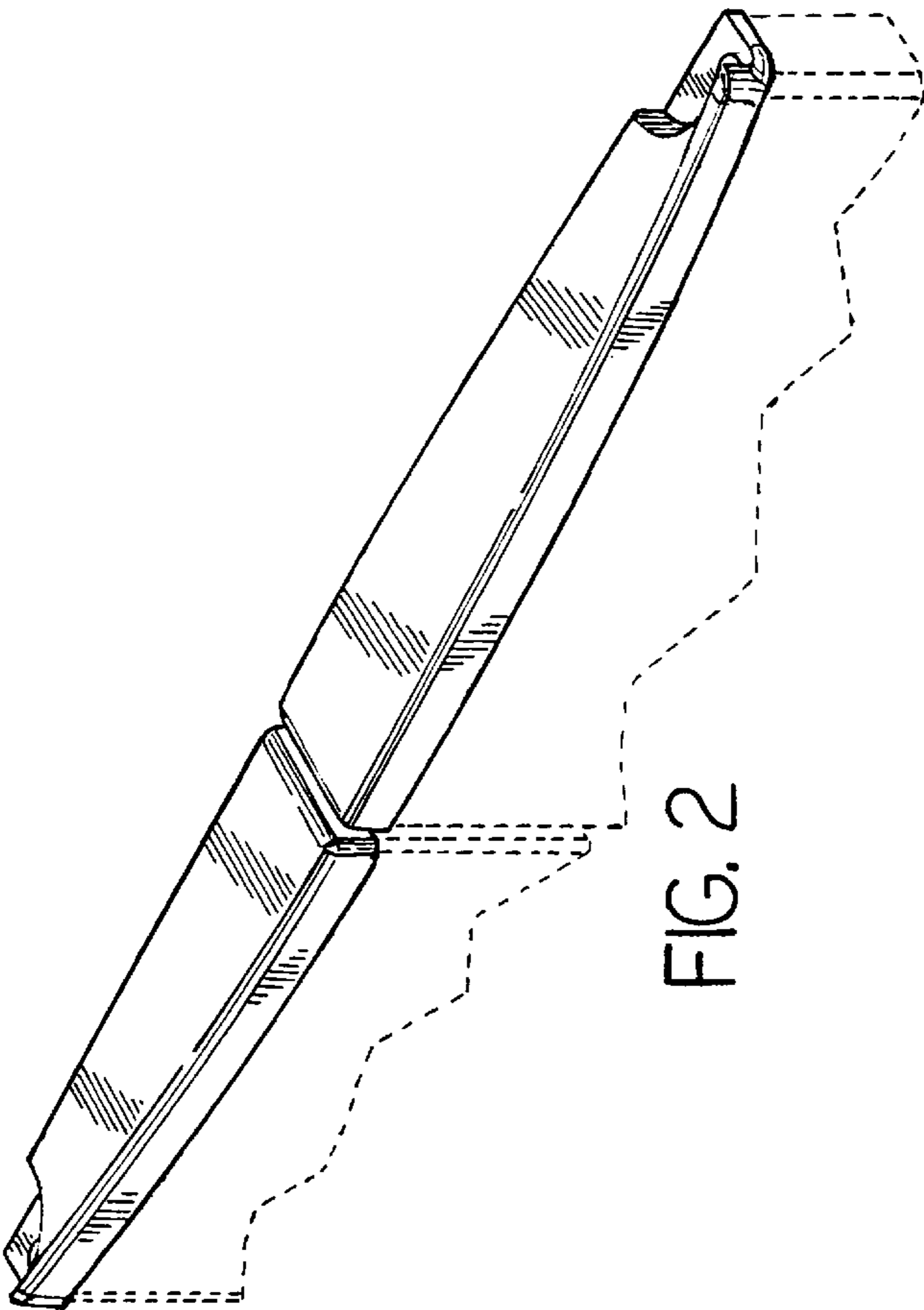


FIG. 2

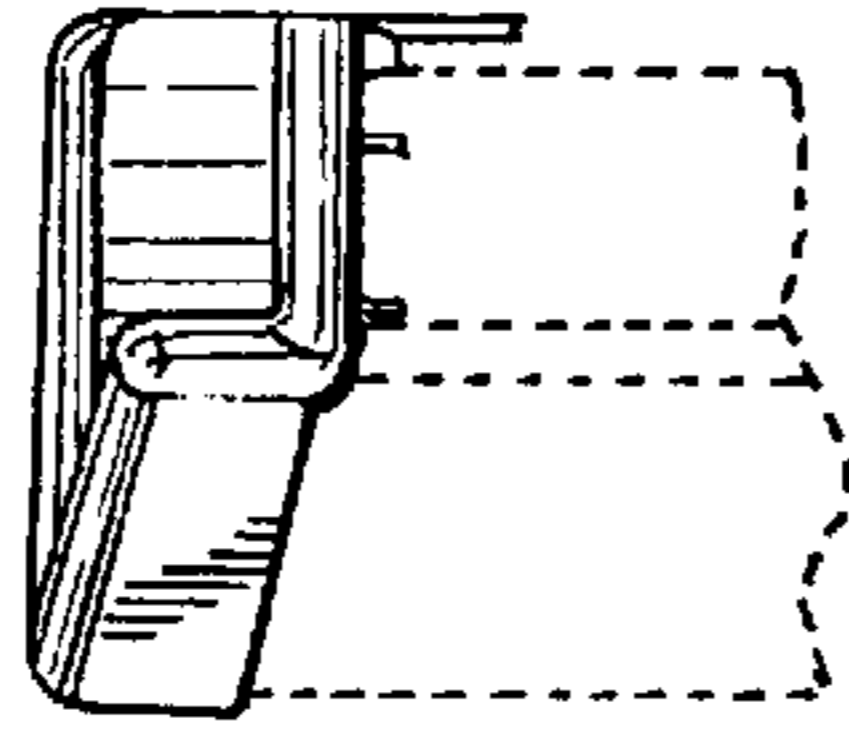


FIG. 5

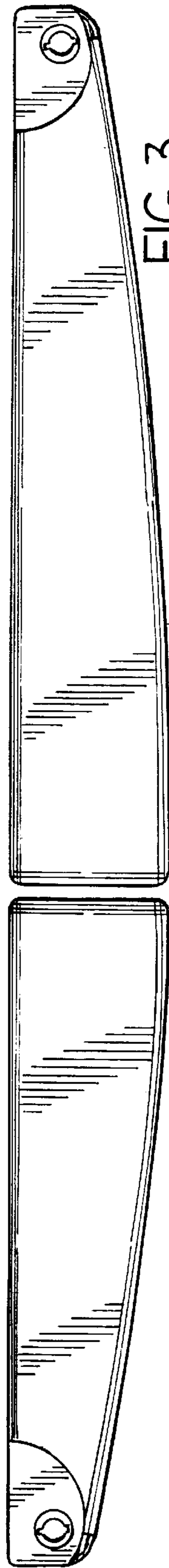


FIG. 3

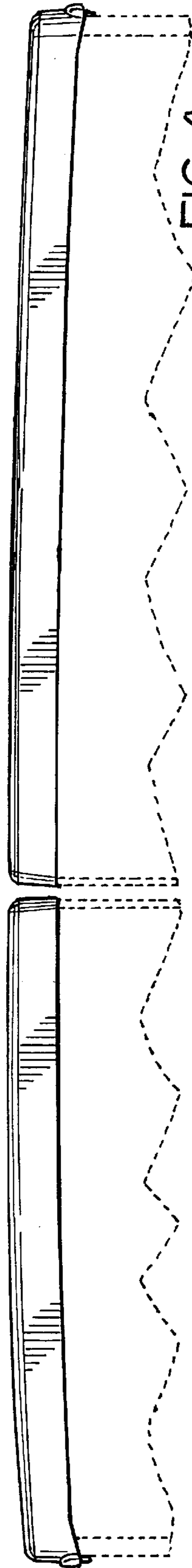


FIG. 4