



US00D420014S

United States Patent [19]
Karlsson

[11] **Patent Number: Des. 420,014**

[45] **Date of Patent: ** Feb. 1, 2000**

[54] **TOOTH SYSTEM**

5,605,196 2/1997 Grimm et al. 172/699
5,782,019 7/1998 Launder et al. 37/446

[75] Inventor: **Kjell Karlsson**, Degerfors, Sweden

Primary Examiner—Sandra L. Morris
Attorney, Agent, or Firm—Dennison, Meserole, Scheiner & Schultz

[73] Assignee: **Componenta Wear Parts AB**,
Kristinehamn, Sweden

[**] Term: **14 Years**

[57] **CLAIM**

[21] Appl. No.: **29/093,014**

The ornamental design for a tooth system, as shown and described.

[22] Filed: **Sep. 1, 1998**

DESCRIPTION

[30] **Foreign Application Priority Data**

Mar. 2, 1998 [SE] Sweden 98-0489

FIG. 1 is a top, front and side perspective view of a tooth system showing my new design, the rear face and the opposite side being the same;

[51] **LOC (7) Cl.** **15-03**

FIG. 2 is a side elevational view thereof, the opposite side being the same;

[52] **U.S. Cl.** **D15/29**

FIG. 3 is a reduced exploded perspective view thereof;

[58] **Field of Search** D15/10, 11, 25,
D15/28, 29, 139; 37/446, 452-456; 172/699,
713

FIG. 4 is a perspective view of the tooth with the retainer and key removed;

[56] **References Cited**

U.S. PATENT DOCUMENTS

D. 391,584 3/1998 Moreno D15/29
3,312,002 4/1967 Benetti 37/452
4,949,481 8/1990 Fellner 37/452
5,018,283 5/1991 Fellner 37/452
5,423,138 6/1995 Livesay et al. 37/456

FIG. 5 is an enlarged top, front and side perspective view of the retainer, the rear face and the opposite side being the same;

FIG. 6 is an enlarged face and end perspective view of the key, the opposite face and the opposite end being the same;

FIG. 7 is an exploded perspective view of the key; and,

FIG. 8 is an exploded end view of the key.

1 Claim, 7 Drawing Sheets

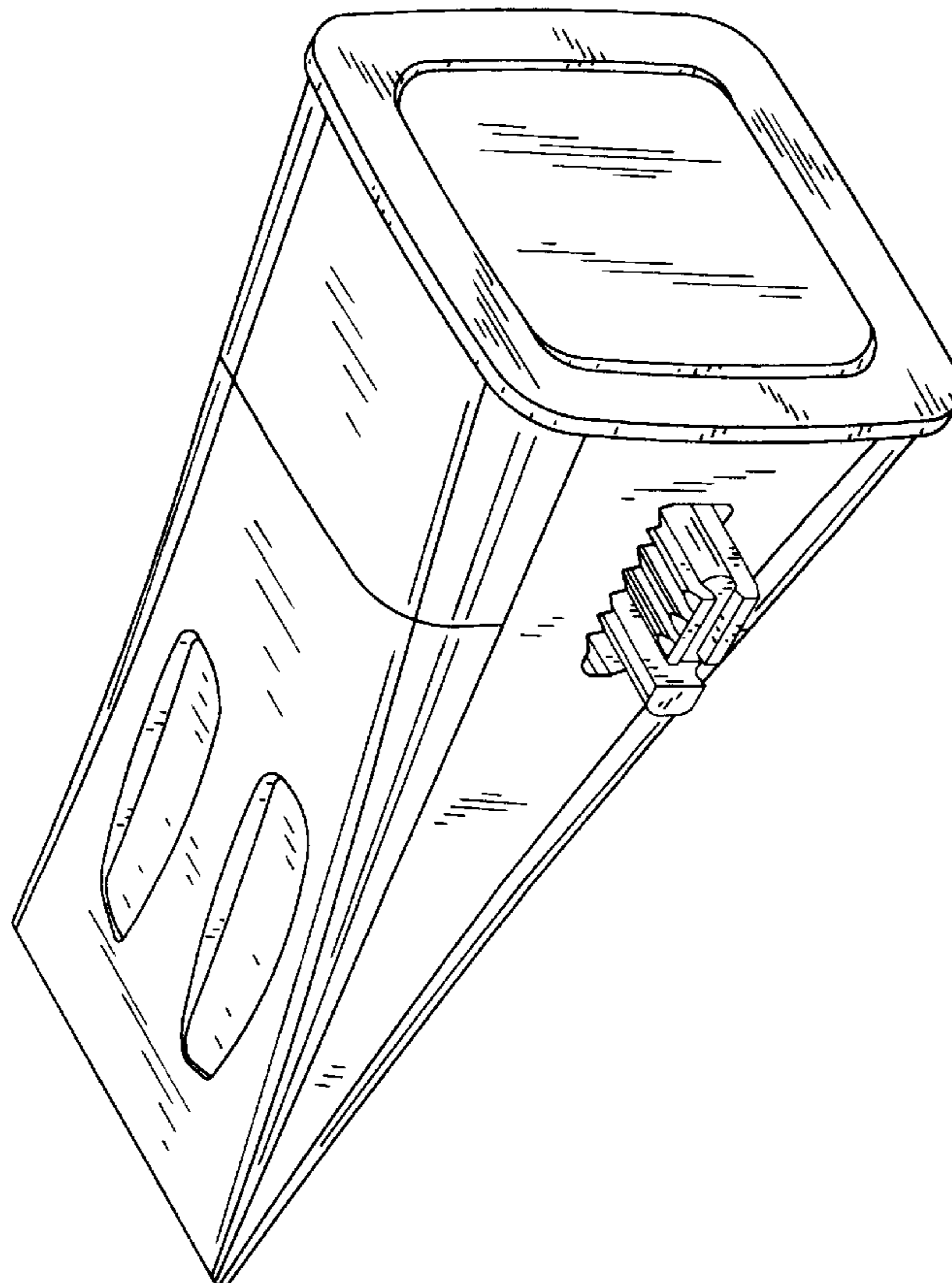


FIG. 1

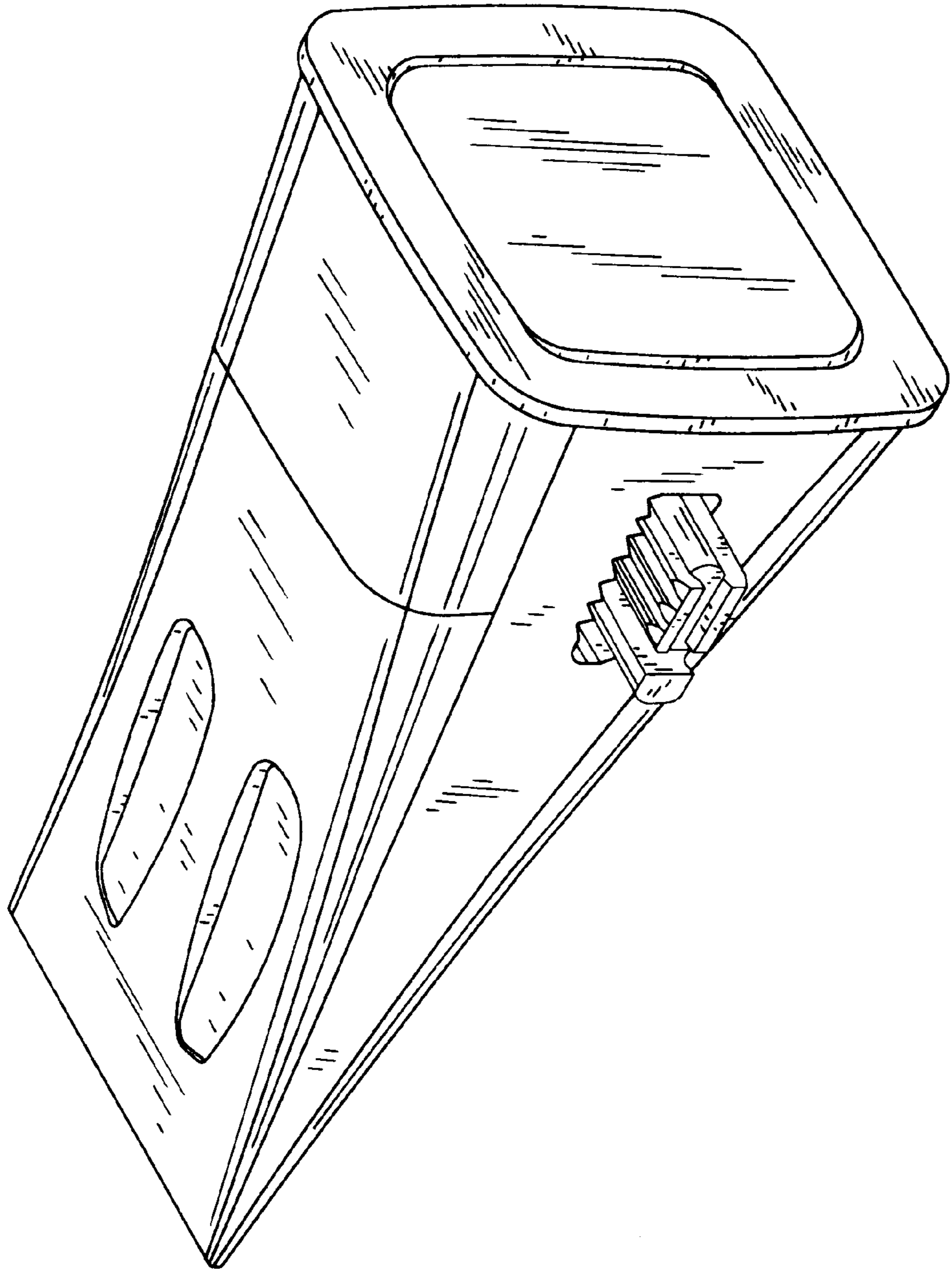


FIG. 2

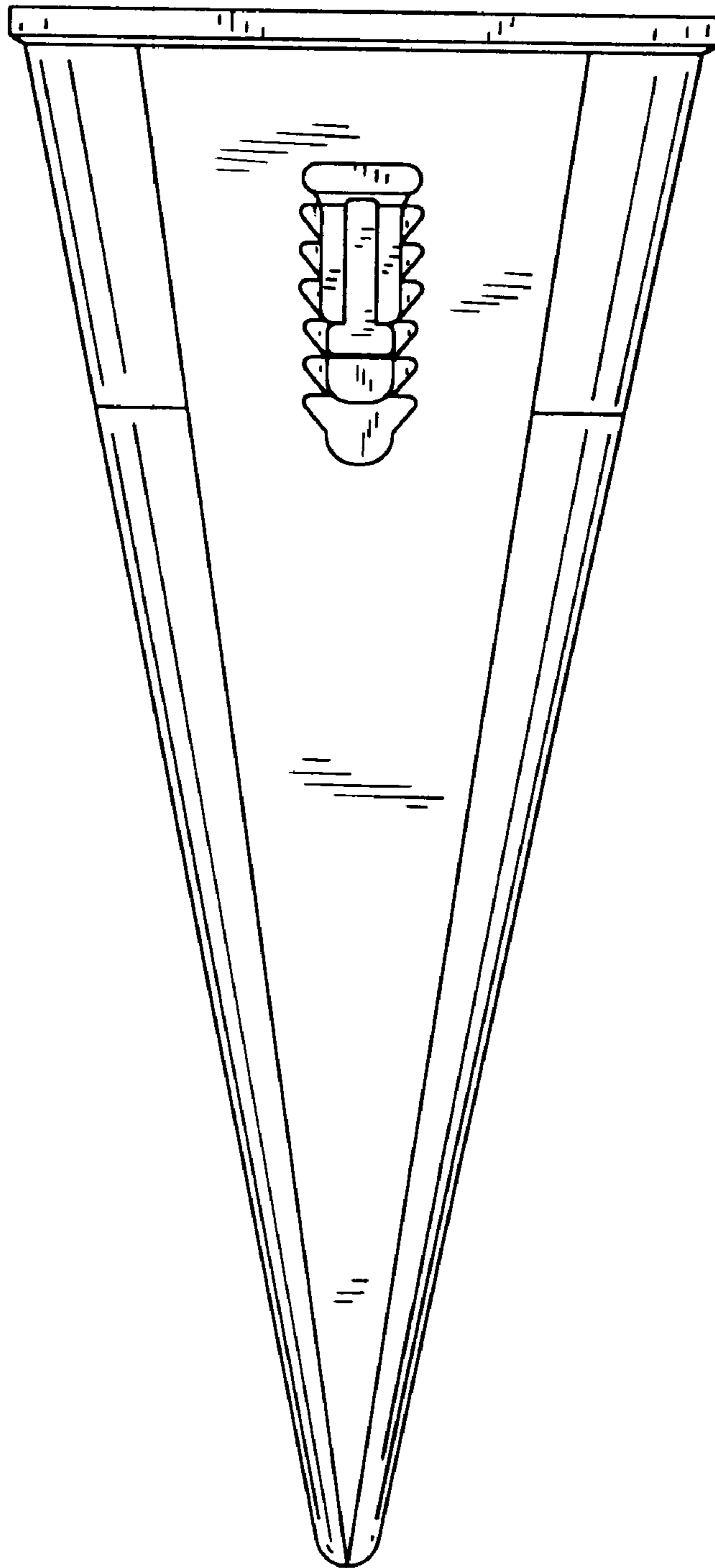


FIG. 3

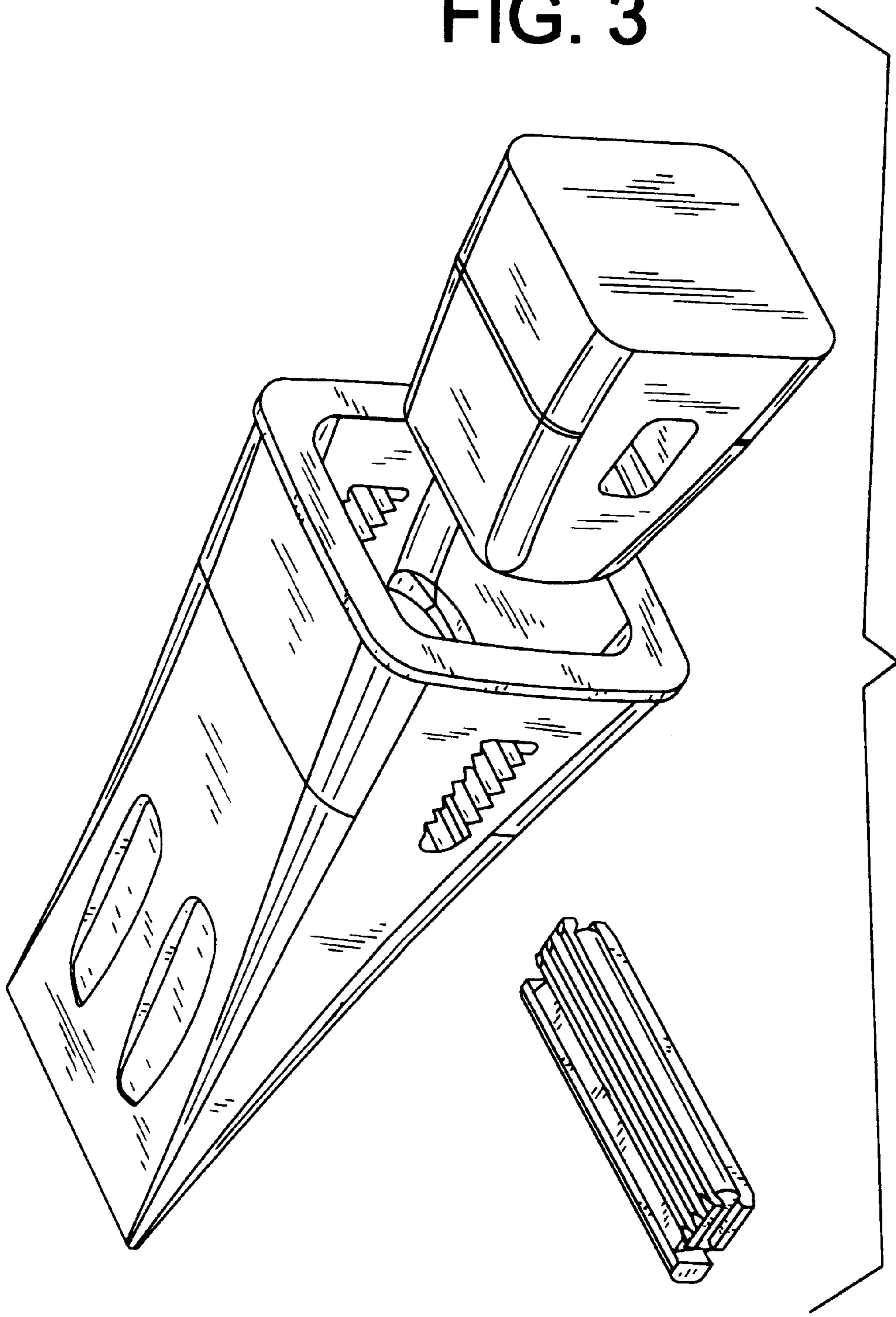


FIG. 4

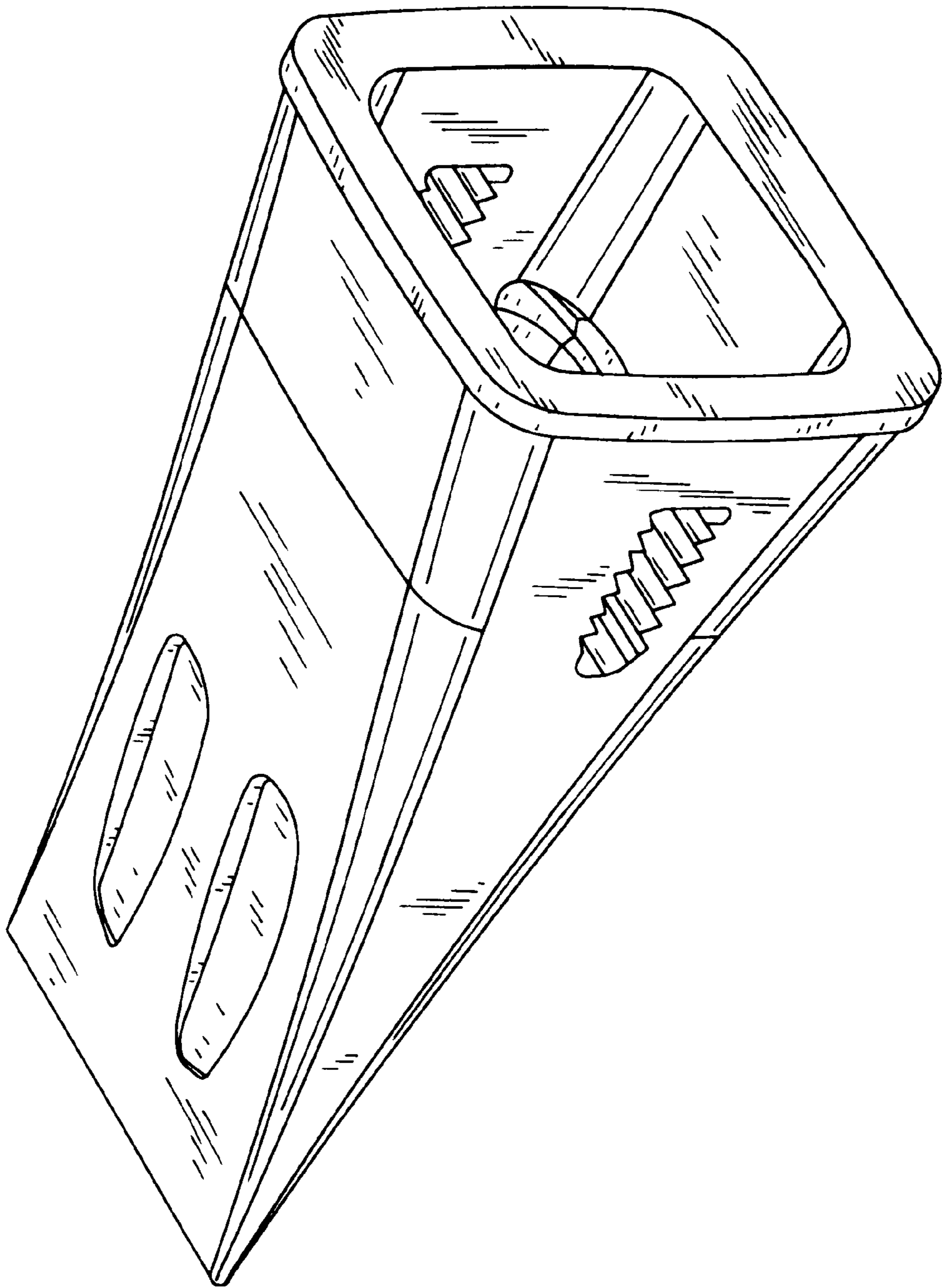


FIG. 5

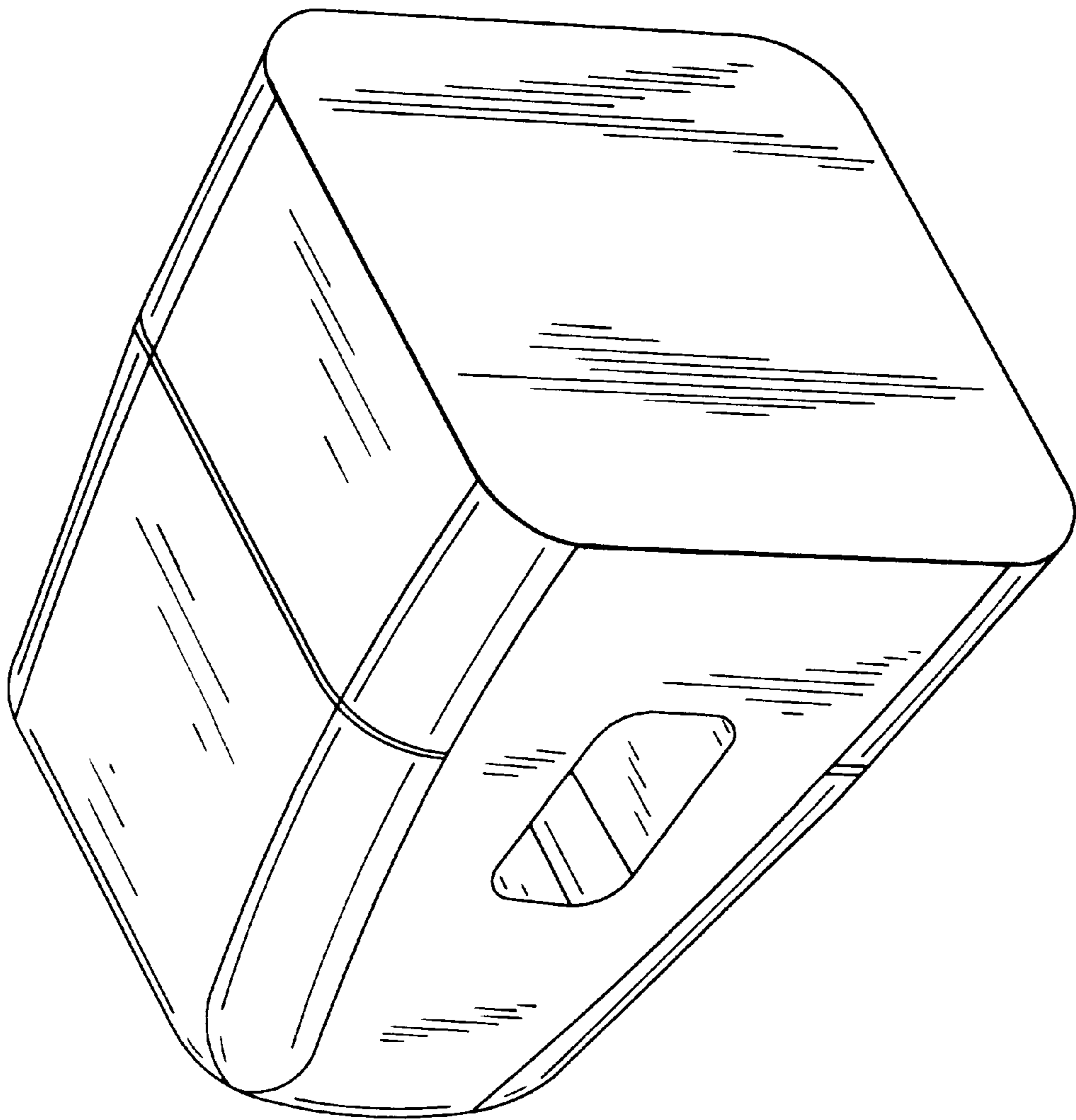


FIG. 6

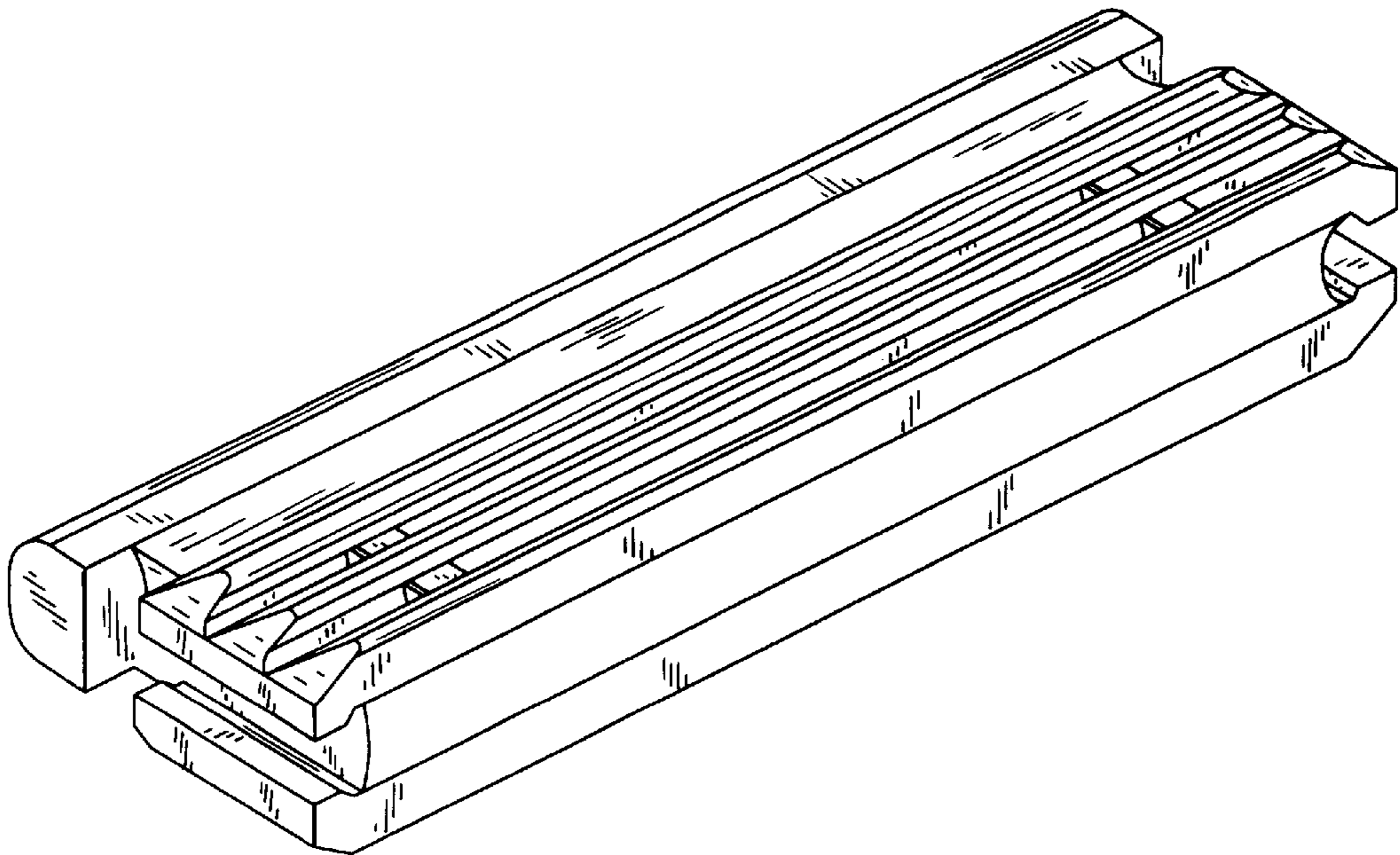


FIG. 7

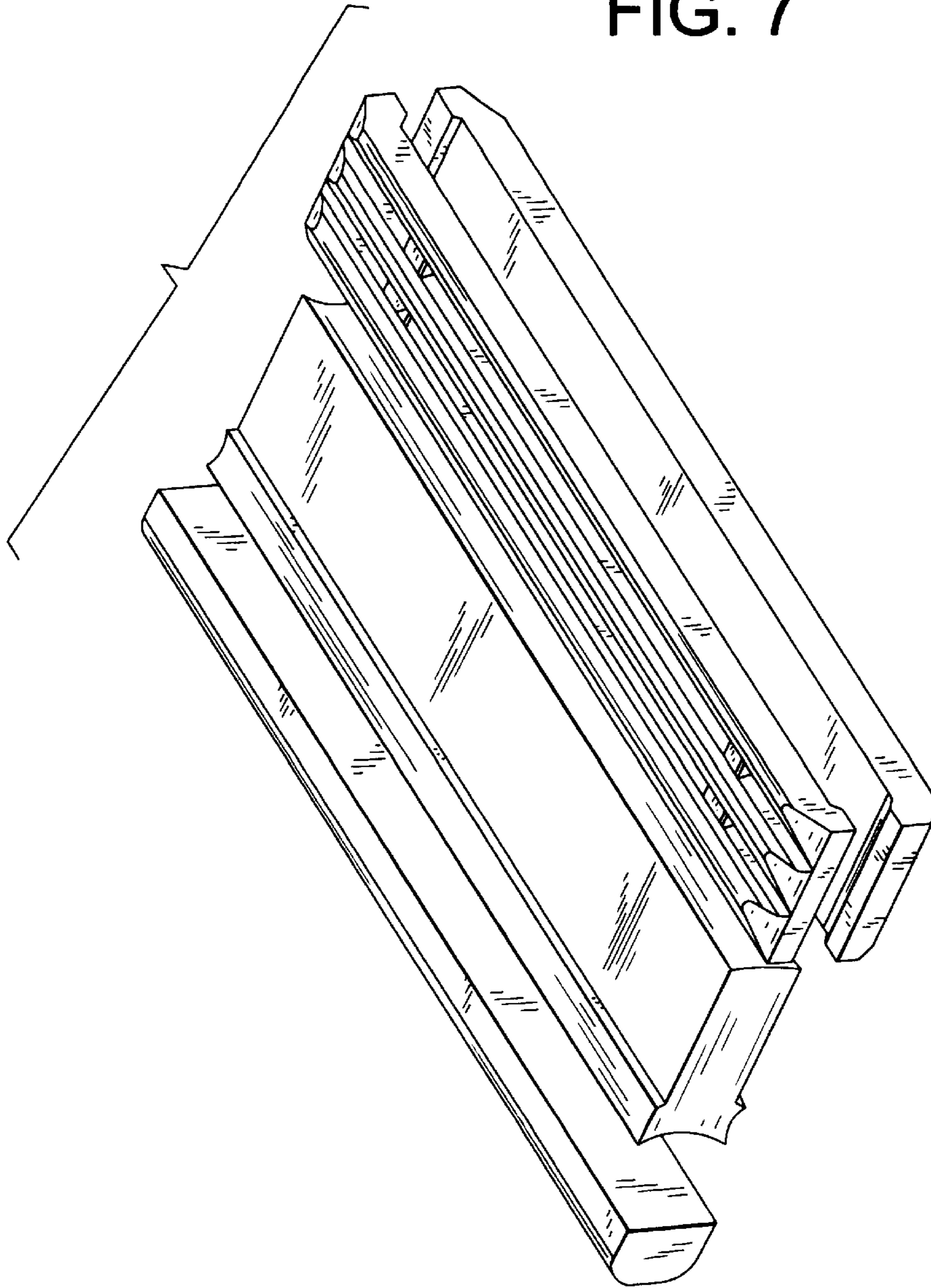


FIG. 8

