



US00D420012S

United States Patent [19]
Somarakis et al.

[11] **Patent Number: Des. 420,012**
[45] **Date of Patent: ** Feb. 1, 2000**

[54] **MULTIPLE INLET ASSEMBLY FOR A PUMP**

4,747,752 5/1988 Somarakis .

[75] Inventors: **John Somarakis; Matthew R. Hildebrand**, both of Vancouver, Wash.

OTHER PUBLICATIONS

Brochure of Nash Engineering Company, 1961.

[73] Assignee: **Somarakis, Inc.**, Vancouver, Wash.

Primary Examiner—Ralf Seifert
Attorney, Agent, or Firm—W. Scott Carson

[**] Term: **14 Years**

[57] **CLAIM**

[21] Appl. No.: **29/106,095**

The ornamental design for a multiple inlet assembly for a pump, as shown.

[22] Filed: **Jun. 8, 1999**

[51] **LOC (7) Cl.** **15-02**

DESCRIPTION

[52] **U.S. Cl.** **D15/7**

FIG. 1 is a perspective view of a multiple inlet assembly for a pump showing our new design.

[58] **Field of Search** D15/7-9; 417/65,
417/68, 63, 54

FIG. 2 is a right side elevational view thereof.

FIG. 3 is a top plan view thereof.

FIG. 4 is a front elevational view thereof

FIG. 5 is a rear elevational view thereof; and,

FIG. 6 is a bottom plan view thereof.

[56] **References Cited**

U.S. PATENT DOCUMENTS

D. 25,621	6/1896	Worthington	D15/7
D. 240,272	6/1976	Philpott	D15/7
D. 283,224	4/1986	Lametto et al.	D15/7

1 Claim, 3 Drawing Sheets

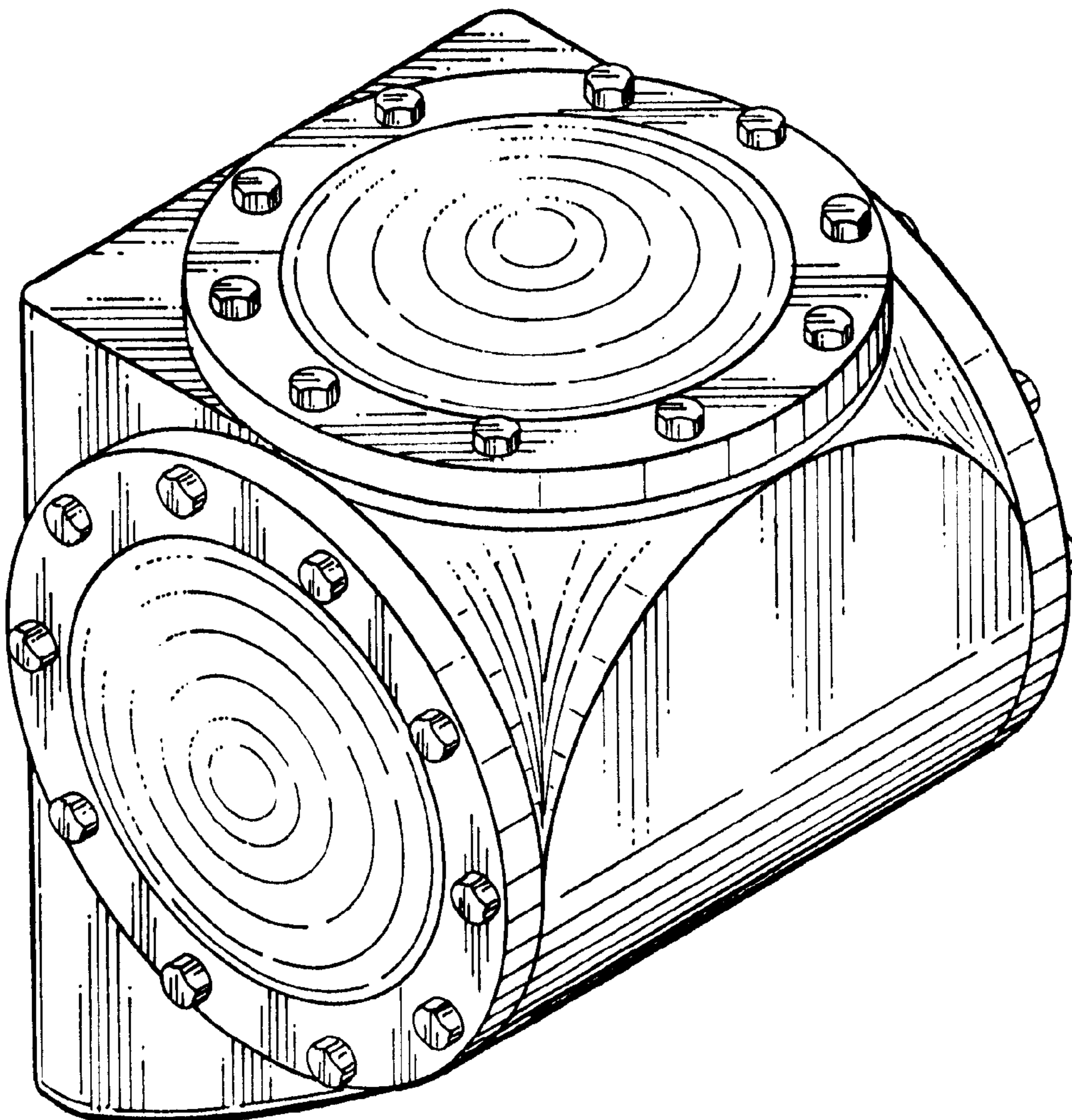


Fig. 1

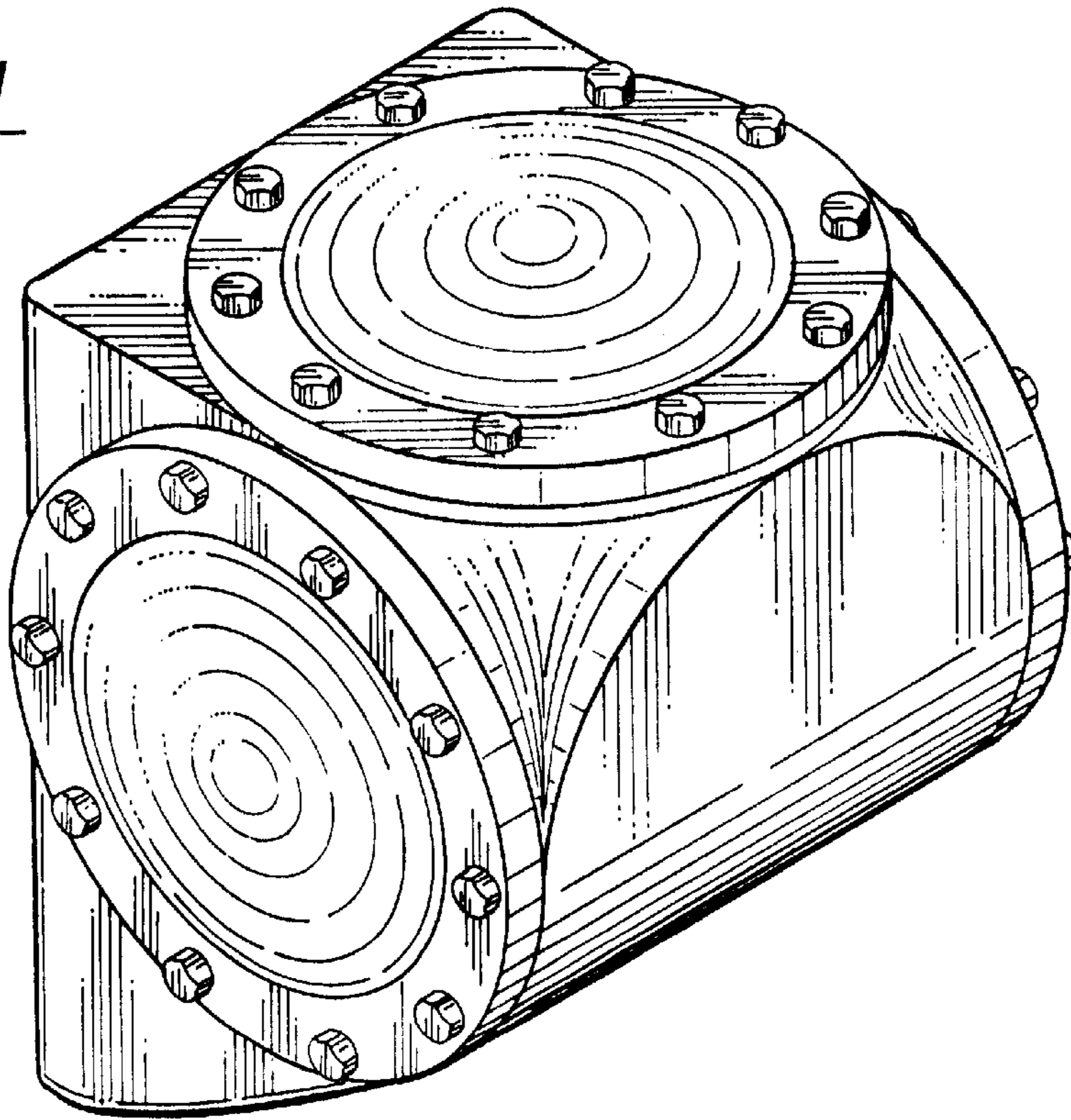


Fig. 2

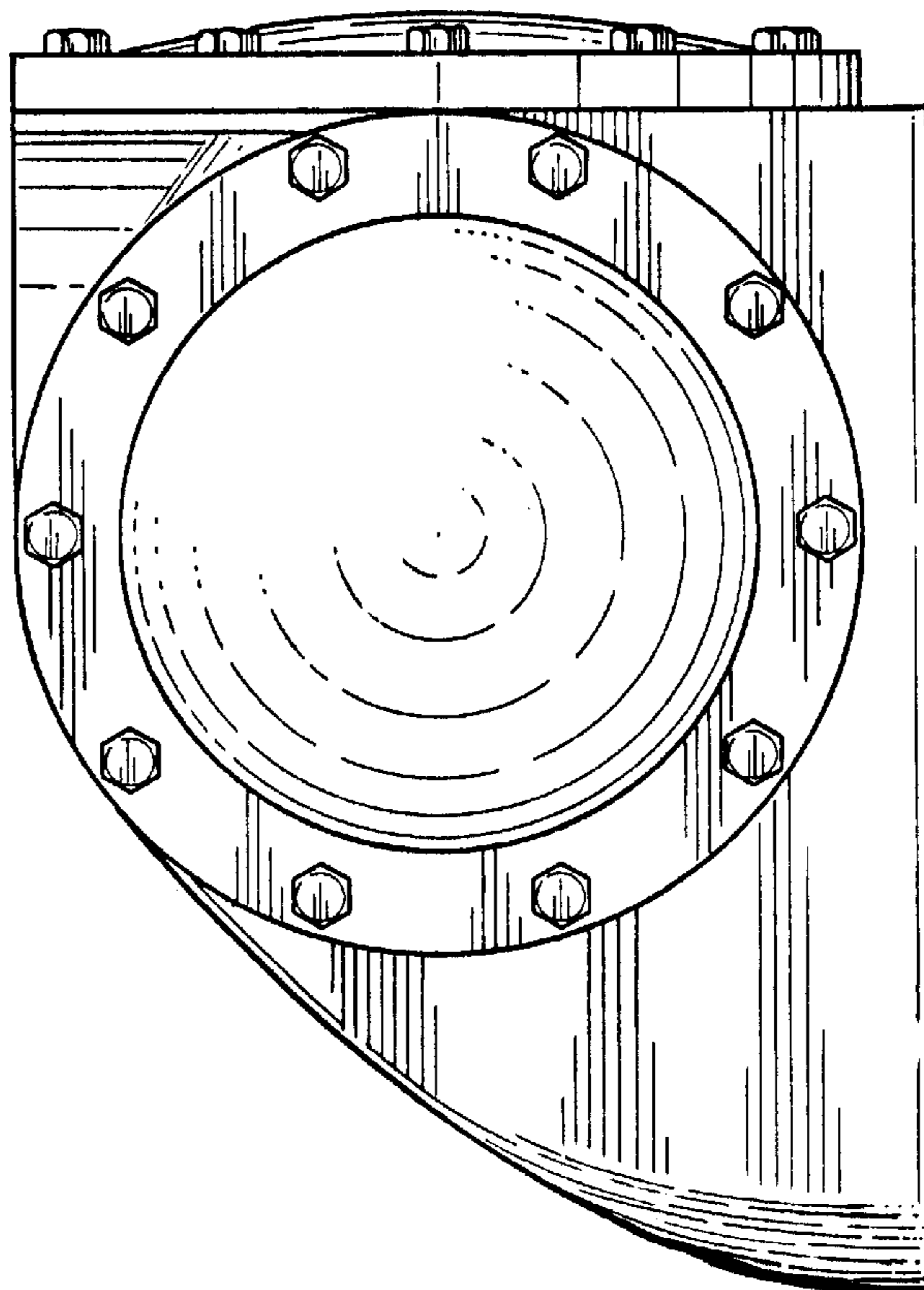


Fig. 3

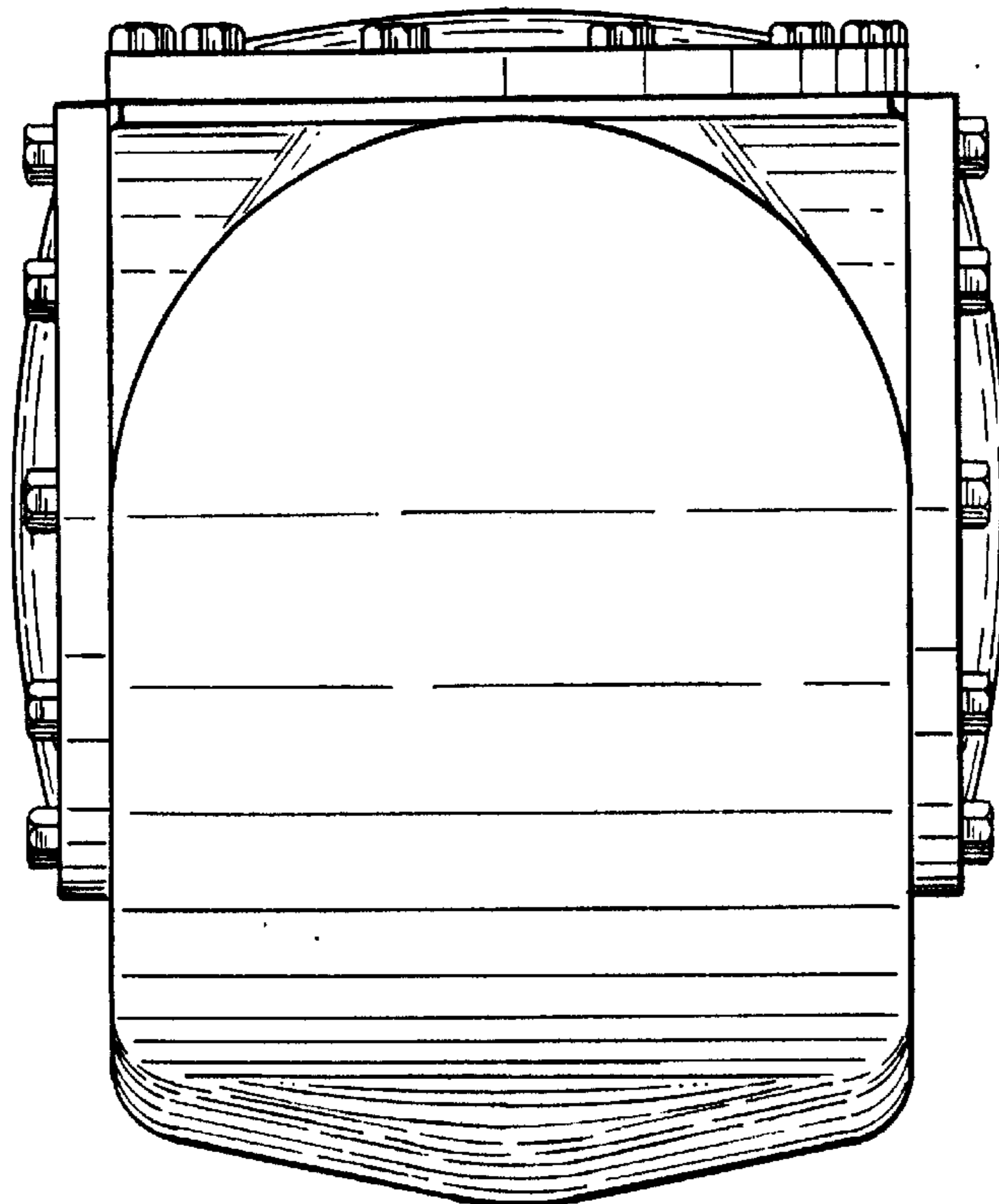
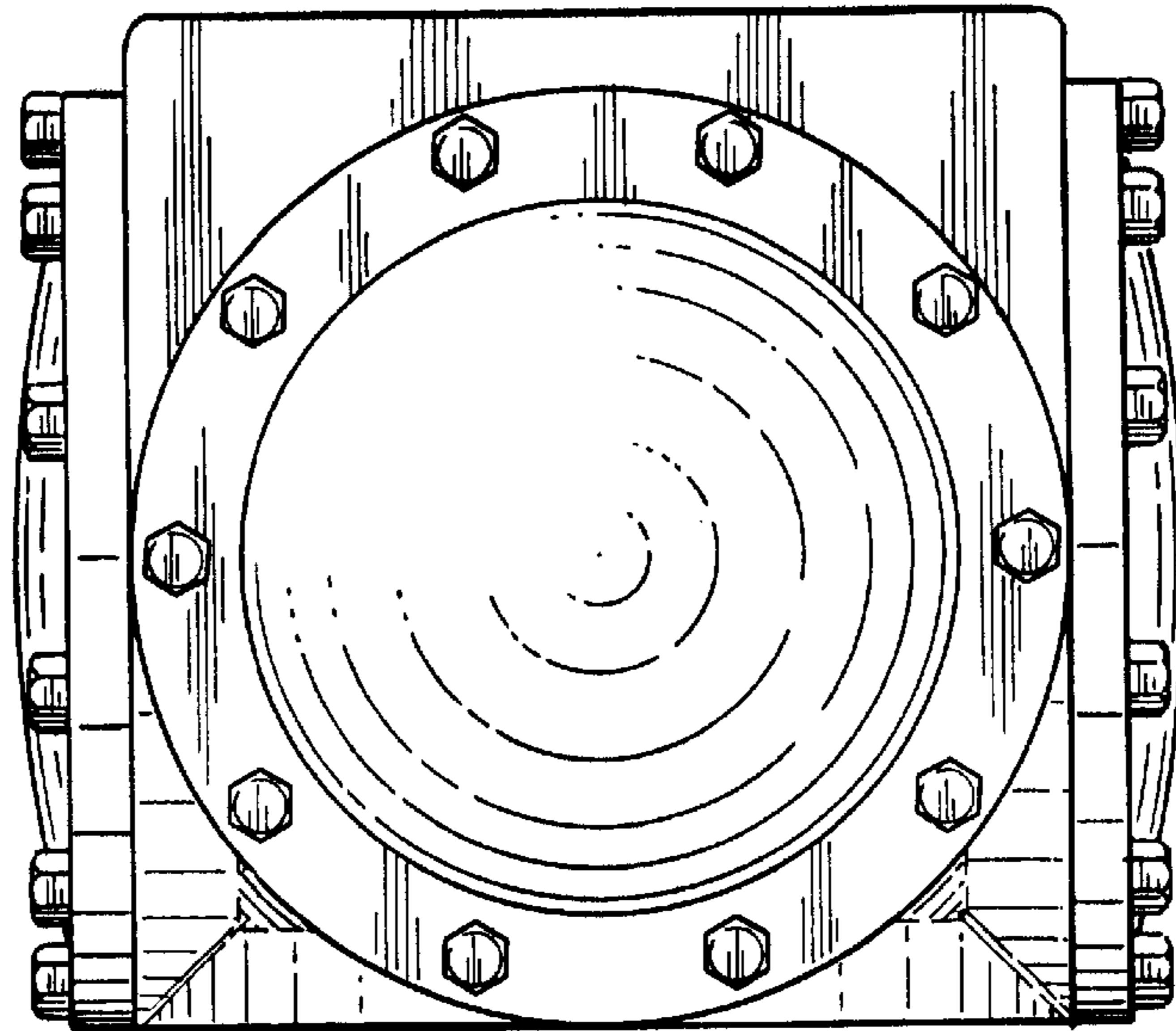


Fig. 4

Fig. 5

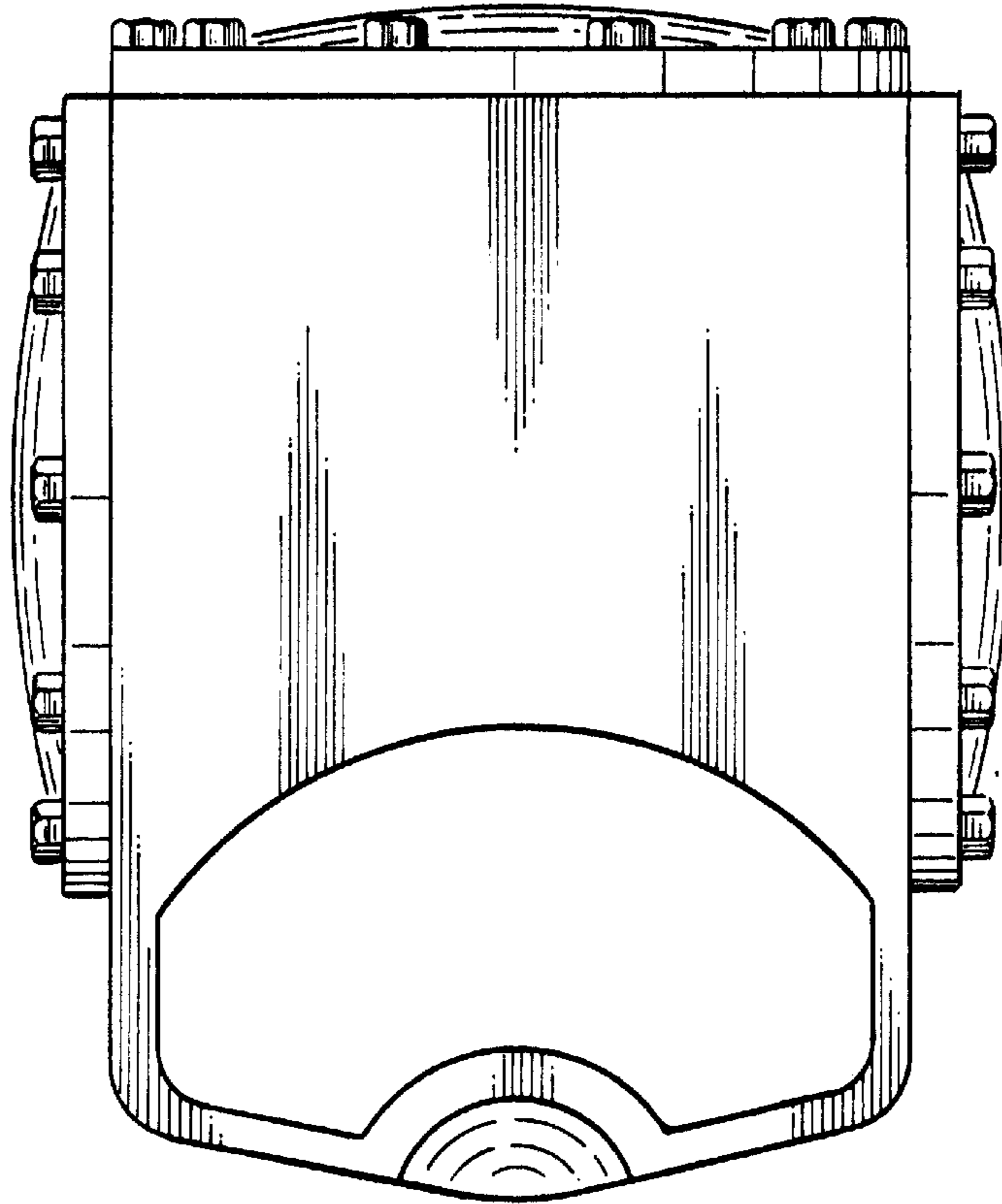


Fig. 6

