



US00D420011S

# United States Patent [19] Tsai

[11] **Patent Number: Des. 420,011**  
[45] **Date of Patent: \*\* Feb. 1, 2000**

[54] **PUMP**  
[76] Inventor: **Cheng-Chang Tsai**, P. O. Box 82-144,  
Taipei, Taiwan  
[\*\*] Term: **14 Years**  
[21] Appl. No.: **29/102,899**  
[22] Filed: **Apr. 2, 1999**  
[51] **LOC (7) Cl.** ..... **15-02**  
[52] **U.S. Cl.** ..... **D15/7**  
[58] **Field of Search** ..... D15/7-9; 417/68,  
417/69, 360, 410.1, 413.1, 423.3, 417,  
40, 88, 234, 264

D. 352,947 11/1994 Colin et al. .... D15/7  
D. 395,317 6/1998 Karlsson et al. .... D15/7

*Primary Examiner*—Ralf Seifert  
*Attorney, Agent, or Firm*—A & J

### [57] CLAIM

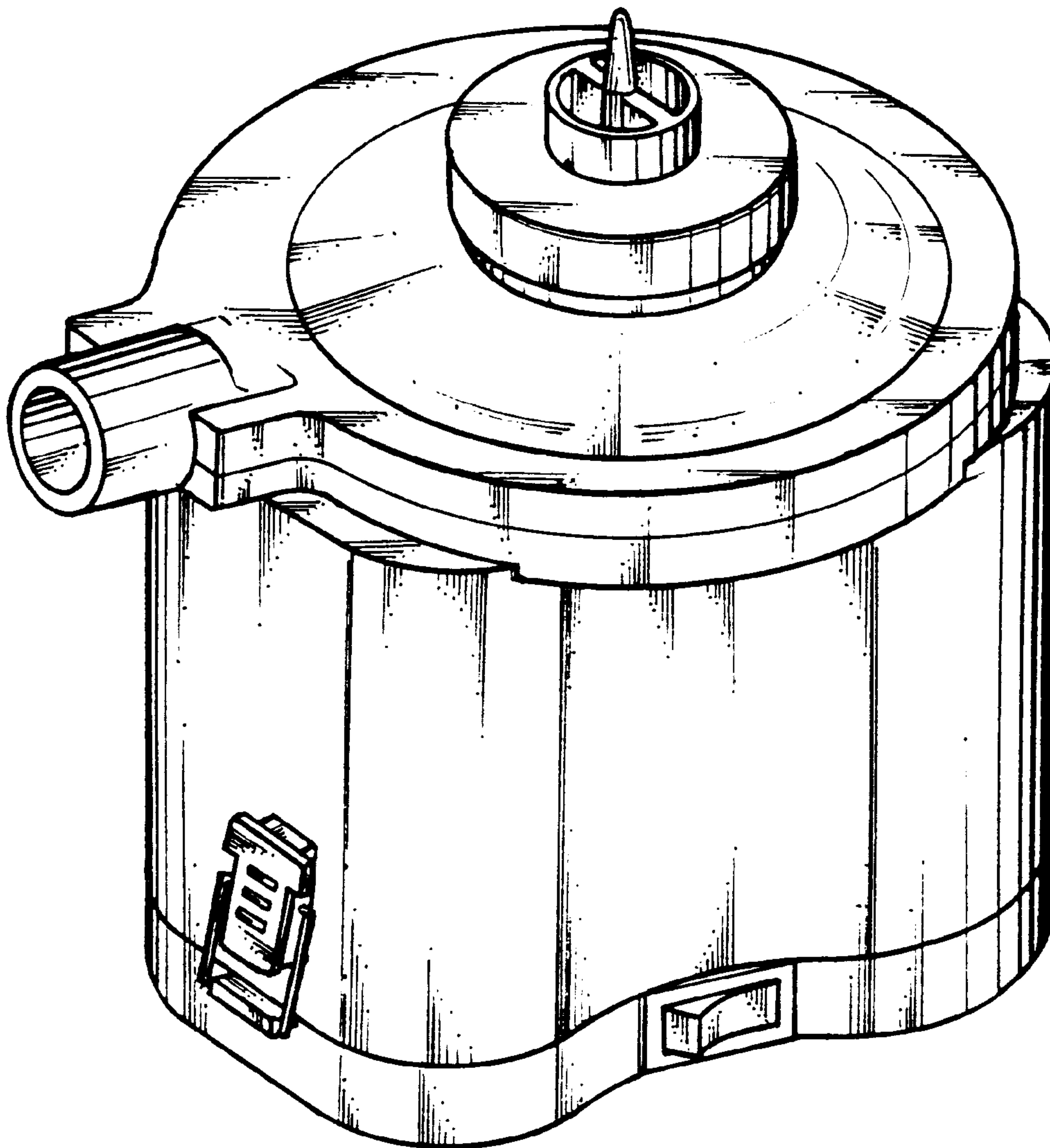
The ornamental design for a pump, as shown and described.

### DESCRIPTION

FIG. 1 is a perspective view of a pump showing my new design.  
FIG. 2 is a front view thereof;  
FIG. 3 is a rear view thereof;  
FIG. 4 is a left side elevational view thereof;  
FIG. 5 is a right side elevational view thereof;  
FIG. 6 is a top plan view thereof; and,  
FIG. 7 is a bottom plan view thereof.

[56] **References Cited**  
U.S. PATENT DOCUMENTS  
D. 306,447 3/1990 Whitley, II ..... D15/7  
D. 339,143 9/1993 Whitley, II ..... D15/7

**1 Claim, 4 Drawing Sheets**



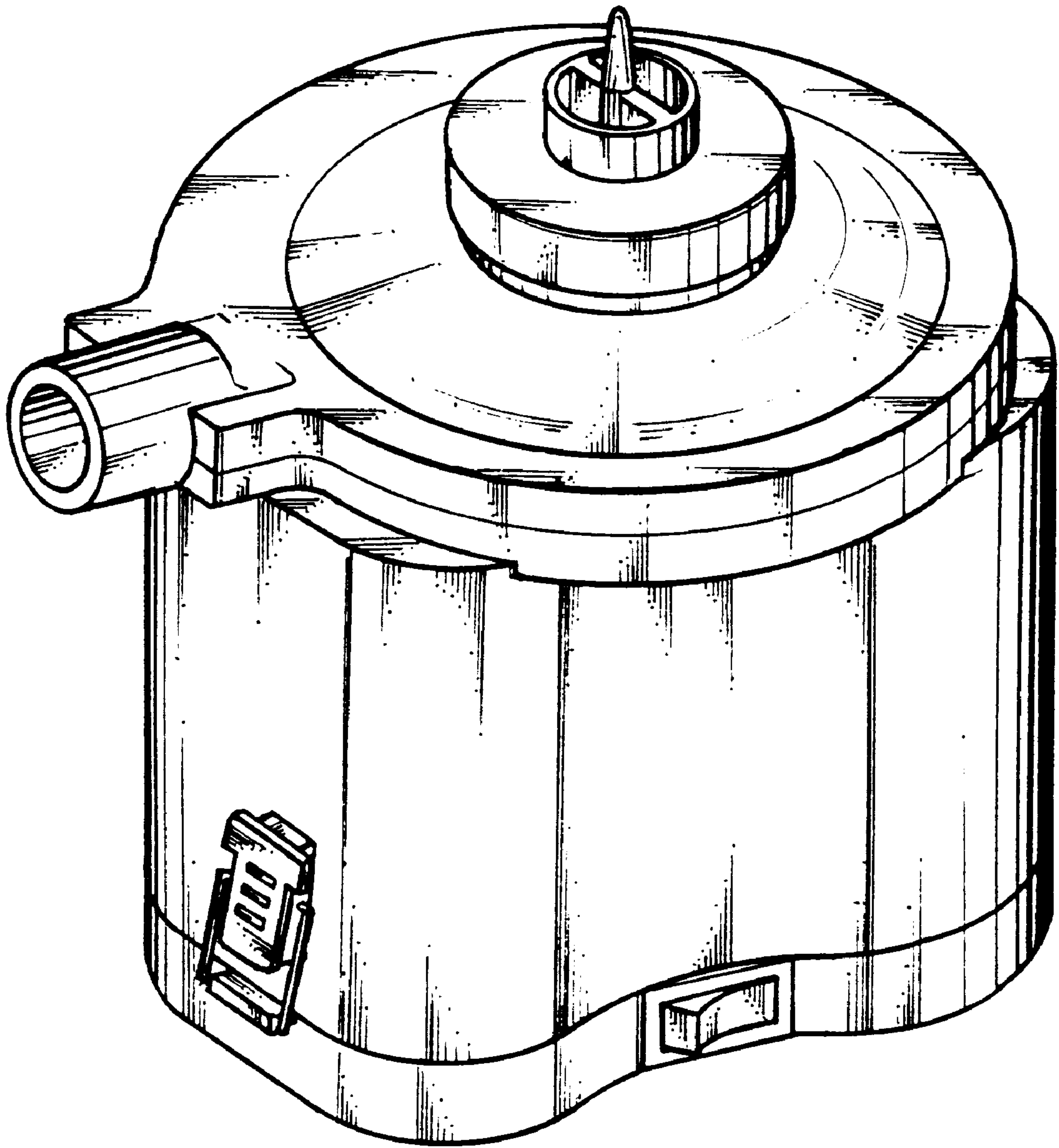


FIG. 1

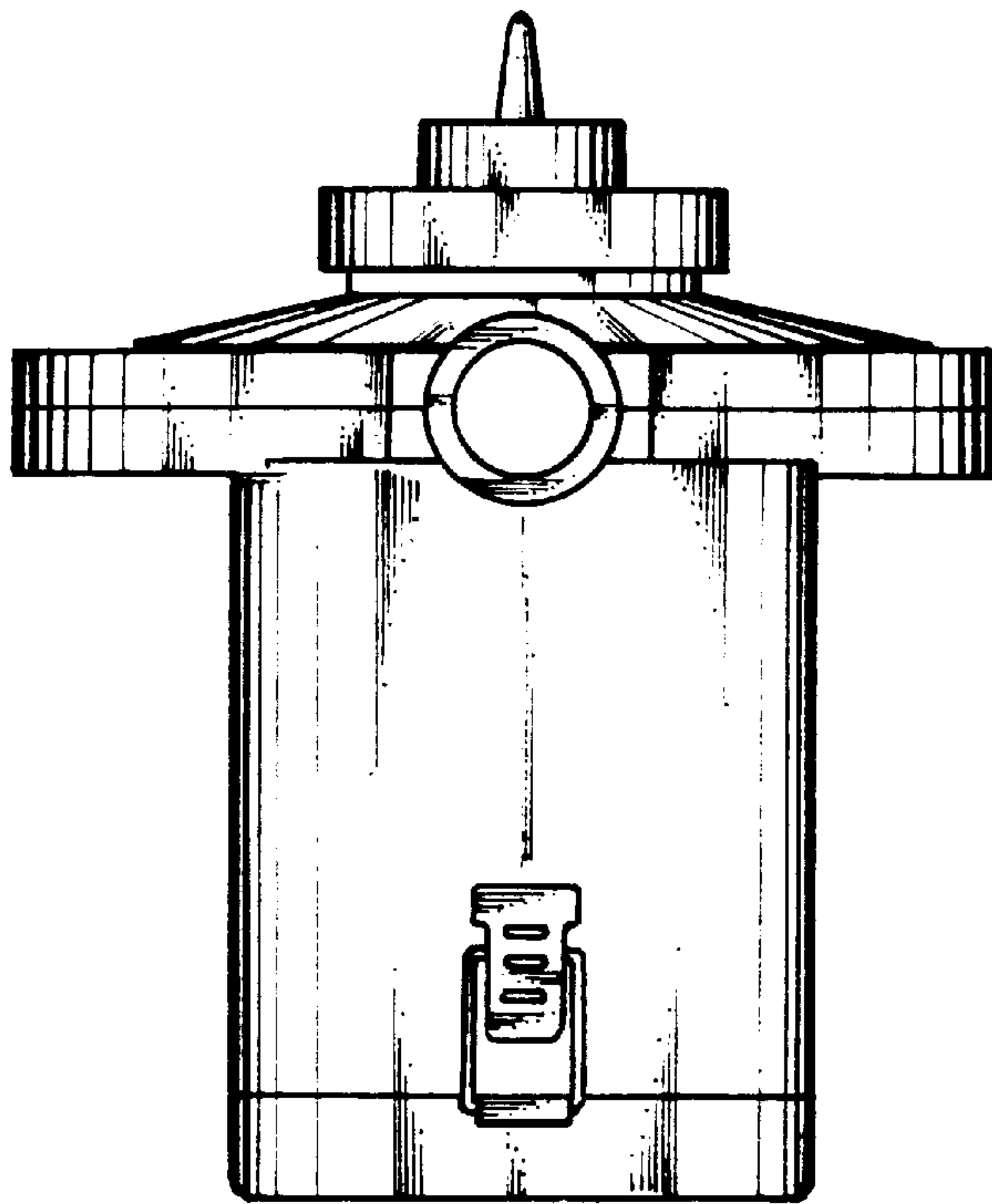


FIG. 2

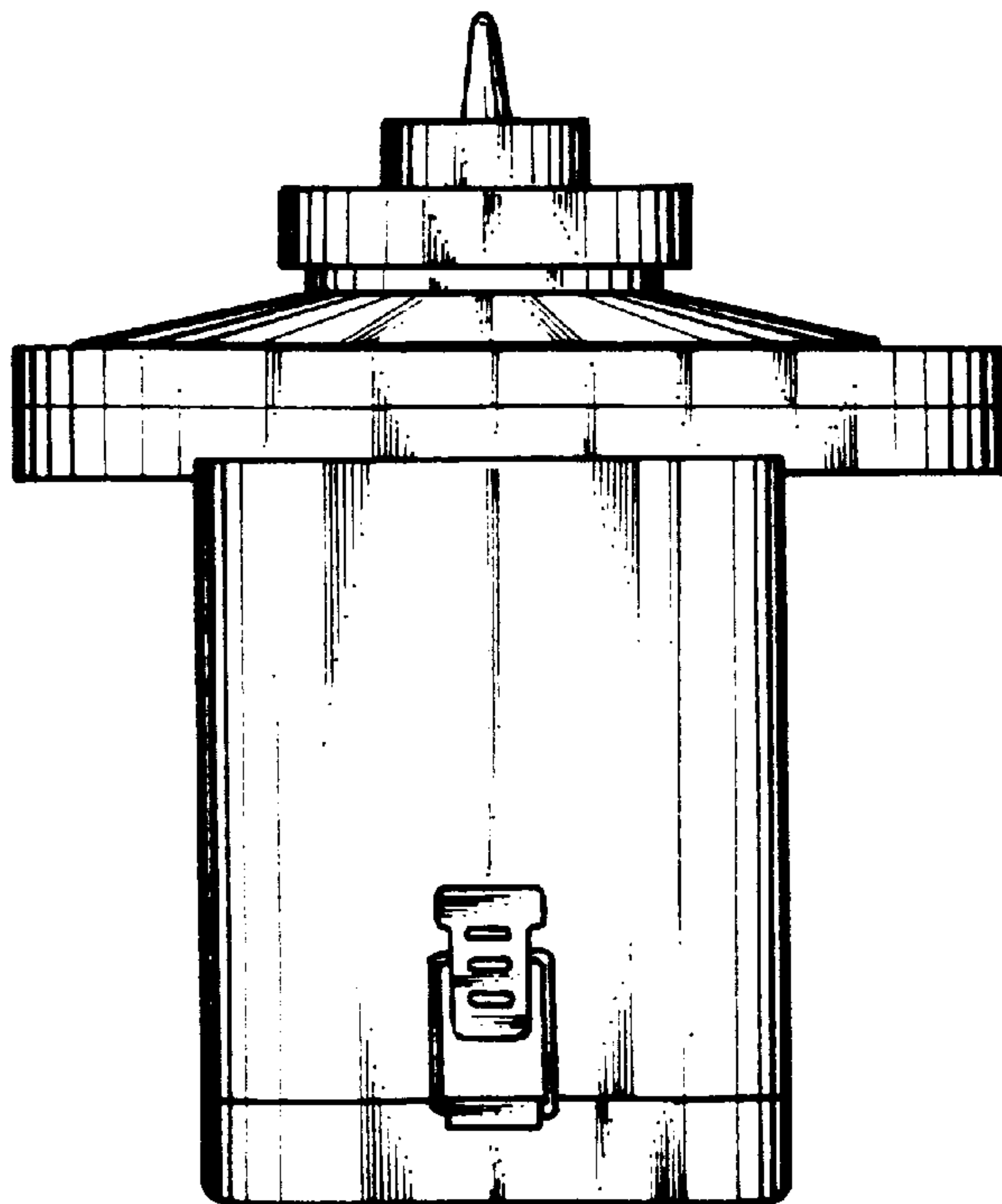


FIG. 3

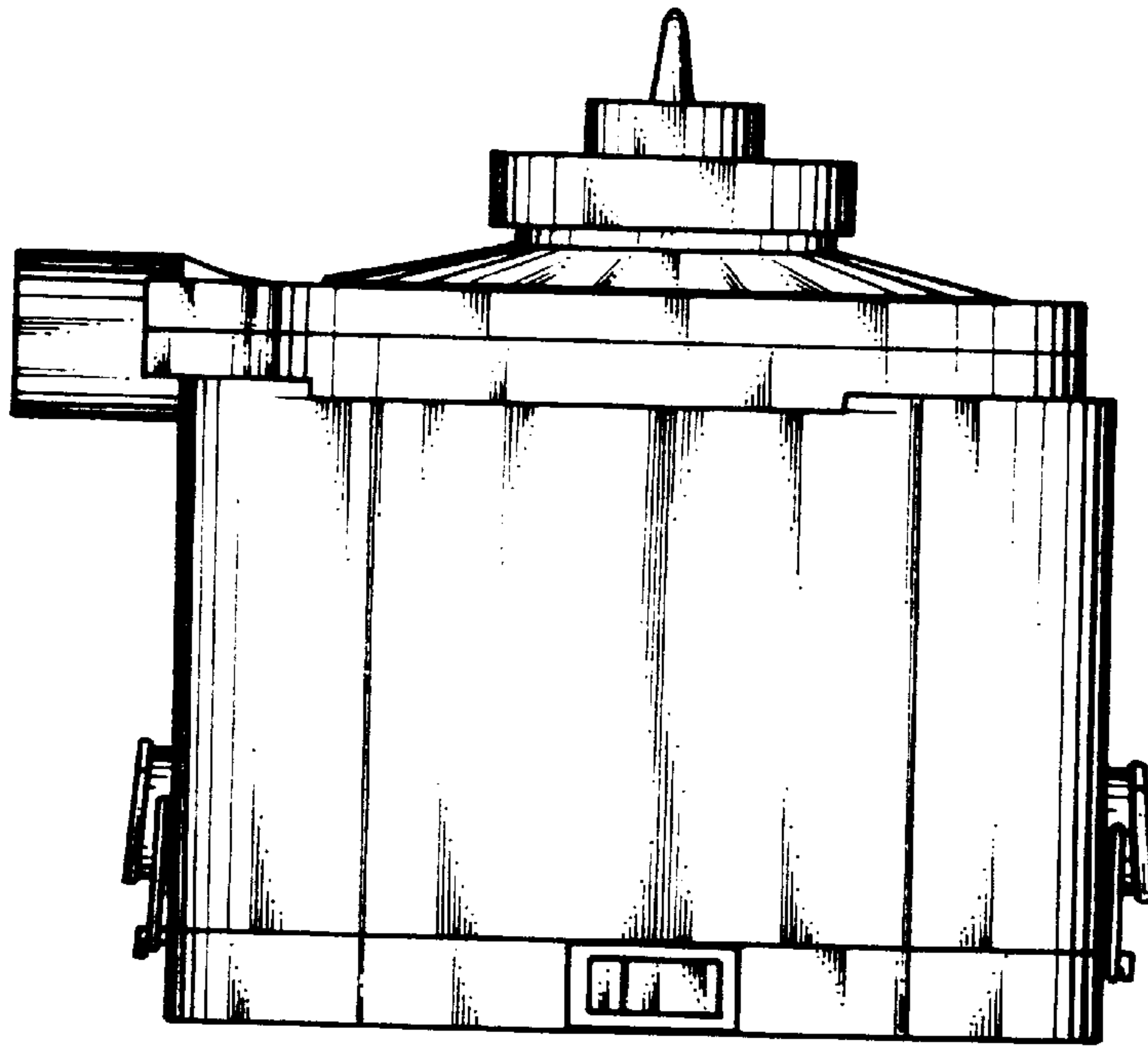


FIG. 4

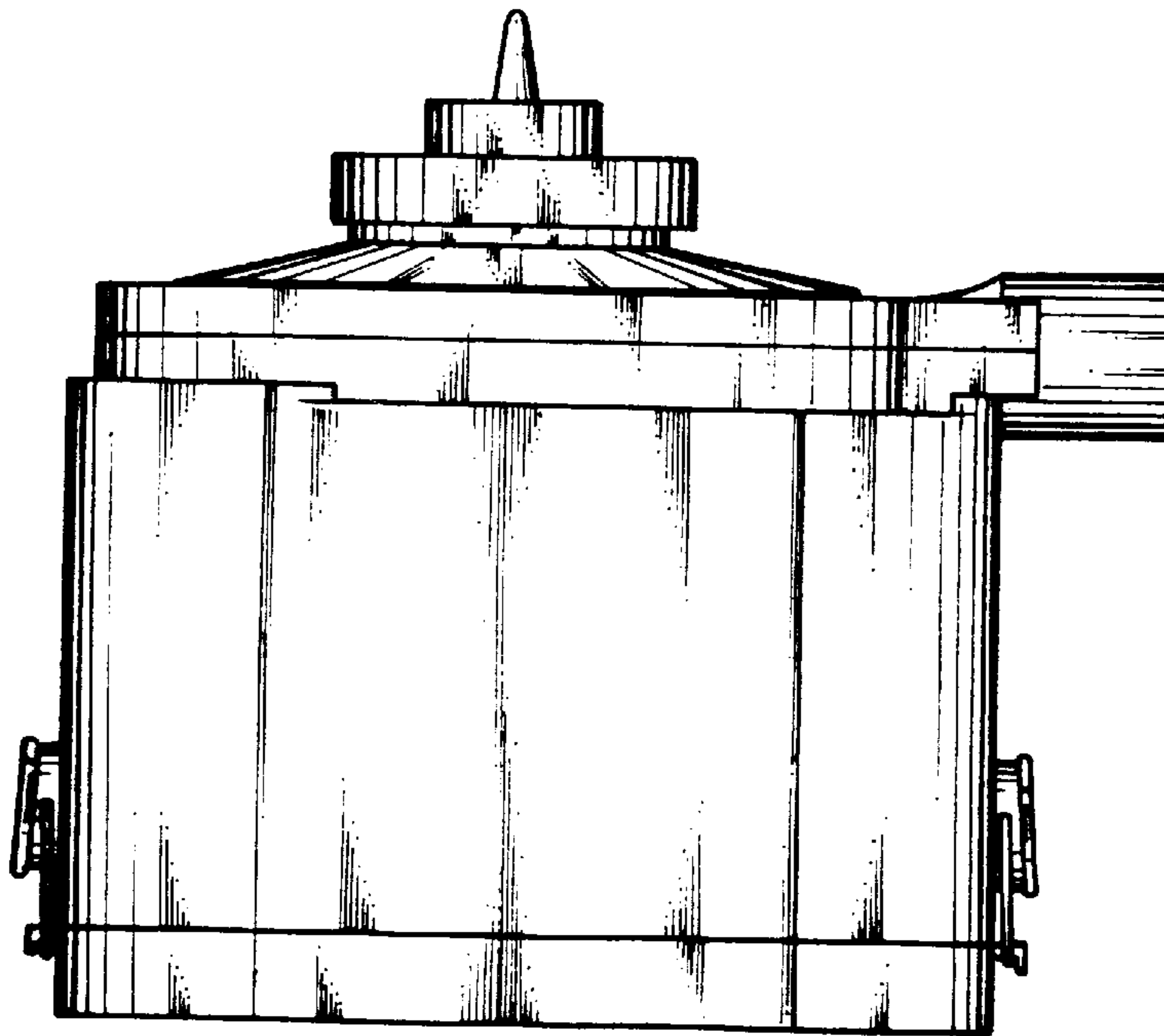


FIG. 5

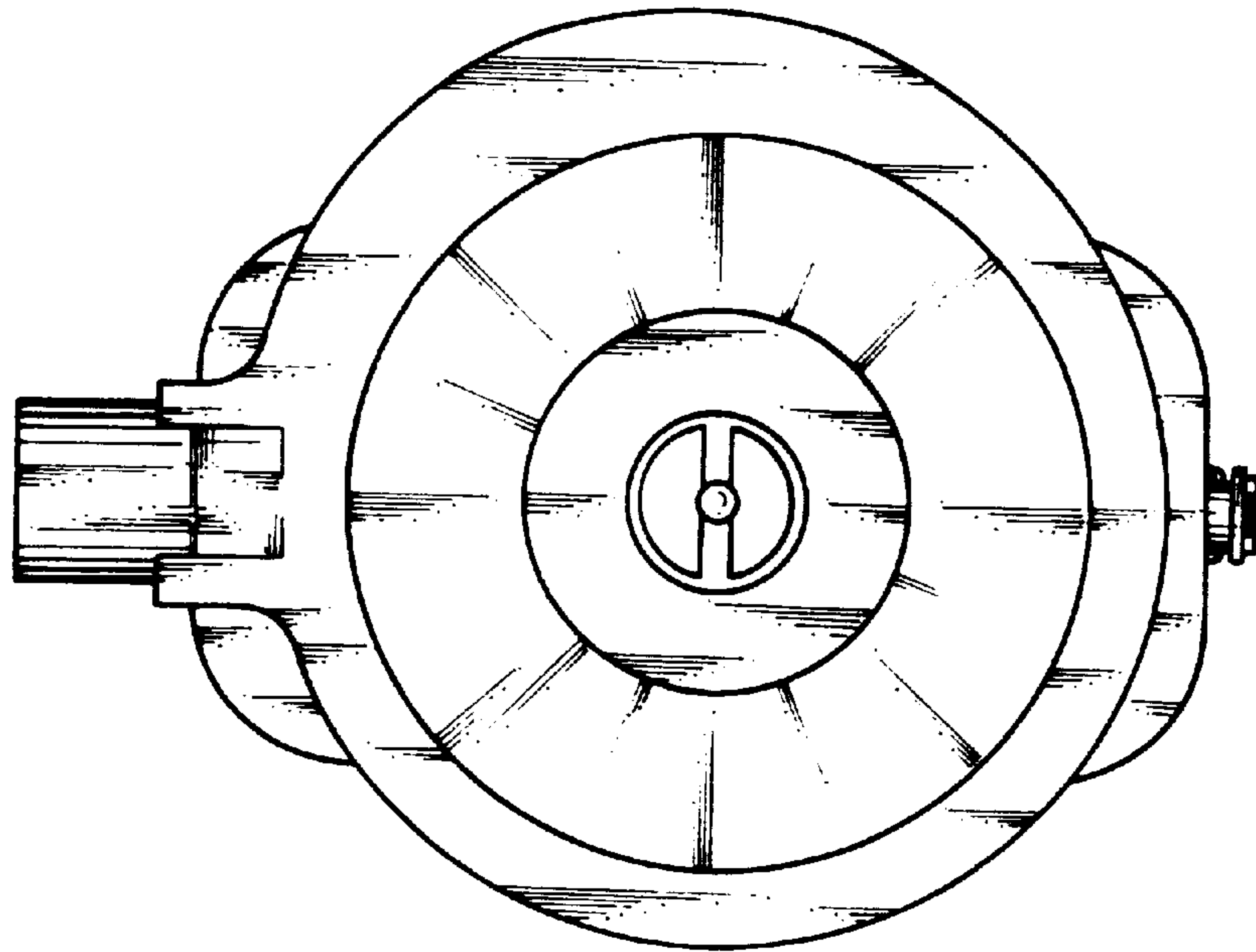


FIG. 6

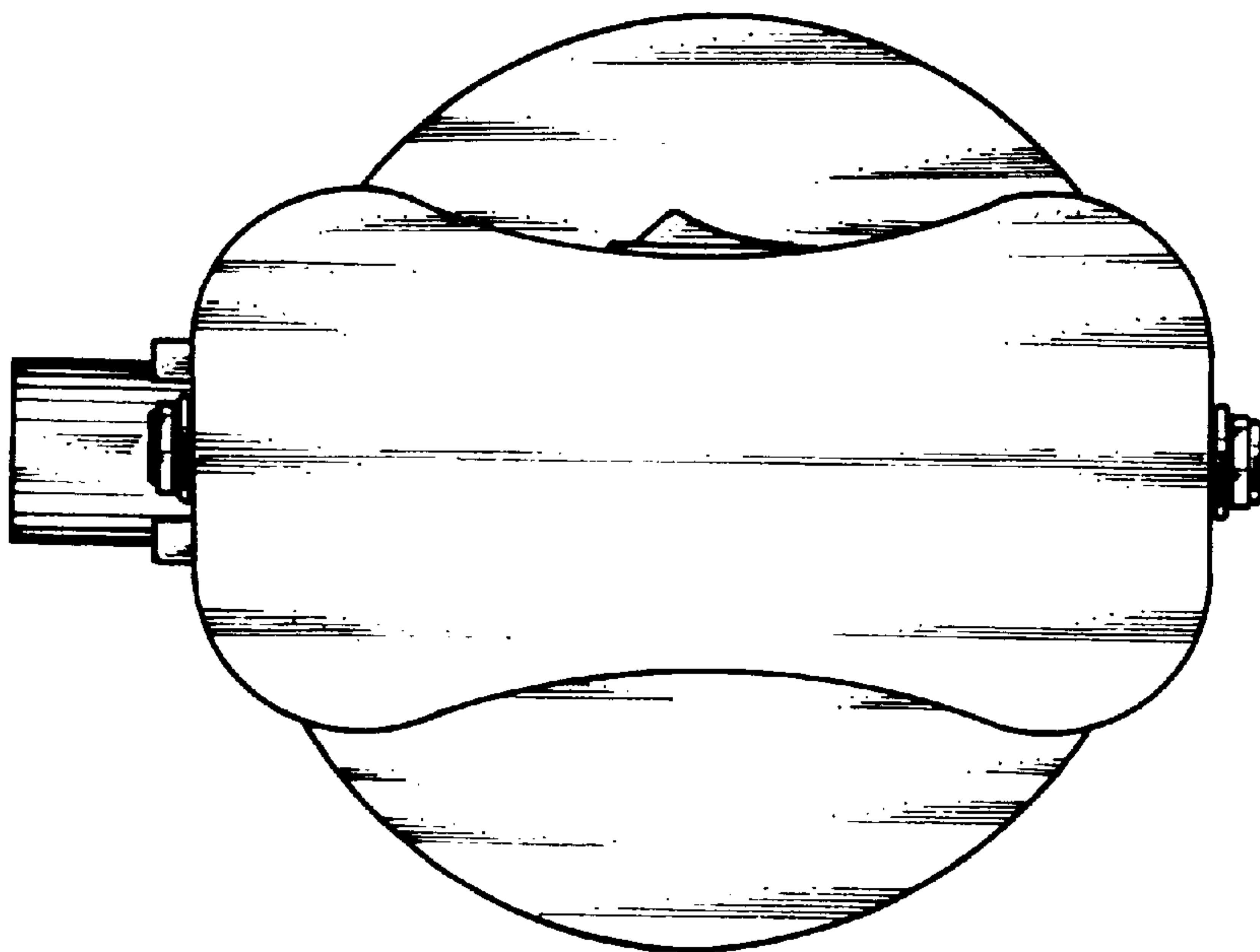


FIG. 7