



US00D420009S

United States Patent [19]

Dunn et al.

[11] Patent Number: Des. 420,009

[45] Date of Patent: ** Feb. 1, 2000

[54] CALLER ID DISPLAY DEVICE

[75] Inventors: David Dunn; Francis Shen, both of Toronto, Canada

[73] Assignee: Aastra Technologies Limited, Canada

[**] Term: 14 Years

[21] Appl. No.: 29/097,670

[22] Filed: Dec. 11, 1998

[51] LOC (7) Cl. 14-03

[52] U.S. Cl. D14/240

[58] Field of Search D14/218, 155, D14/149, 140-142, 240, 159, 100, 107, 114, 191, 241; 379/433-436, 419, 420, 428, 440, 142, 441, 442; D13/162, 164, 184; D10/2, 15, 75, 46, 30; D21/331, 324, 333

[56] References Cited

U.S. PATENT DOCUMENTS

D. 246,351	11/1977	Yoshida et al.	D10/15
D. 269,857	7/1983	Goodin et al.	D10/15
D. 277,477	2/1985	Foggin et al.	D14/241
D. 311,141	10/1990	Muraa	D10/15
D. 337,276	7/1993	Yuen	D10/15 X
D. 349,501	8/1994	Fan	D14/240
D. 350,745	9/1994	Tamura et al.	D14/141
D. 363,432	10/1995	Wong	D10/15
D. 370,911	6/1996	Mo	D14/149
D. 374,235	10/1996	Biasotti et al.	D14/240
D. 381,590	7/1997	Thonei et al.	D10/75
D. 382,567	8/1997	Westfall	D14/240

D. 383,467	9/1997	Johansson	D14/240
5,907,605	5/1999	Ramirez et al.	379/142

OTHER PUBLICATIONS

Best catalog, p. p16, item B, GE Family Digital Answ. Mach., and item J, Phonemate Answ. Mach., Jan. 1996.

Primary Examiner—Jeffrey Asch
Attorney, Agent, or Firm—George T. Marcou; Kilpatrick Stockton LLP

[57] CLAIM

The ornamental design for a caller ID display device, as shown and described.

DESCRIPTION

FIG. 1 is a front -right side perspective view of a caller ID display device showing our design.

FIG. 2 is a top view of the caller ID device of FIG. 1.

FIG. 3 is a bottom view of the caller ID device of FIG. 1.

FIG. 4 is a rear view of the caller ID device of FIG. 1.

FIG. 5 is a left side view of the caller ID device of FIG. 1.

FIG. 6 is a front-right side perspective view of the caller ID device of FIG. 1 with extension stand extended.

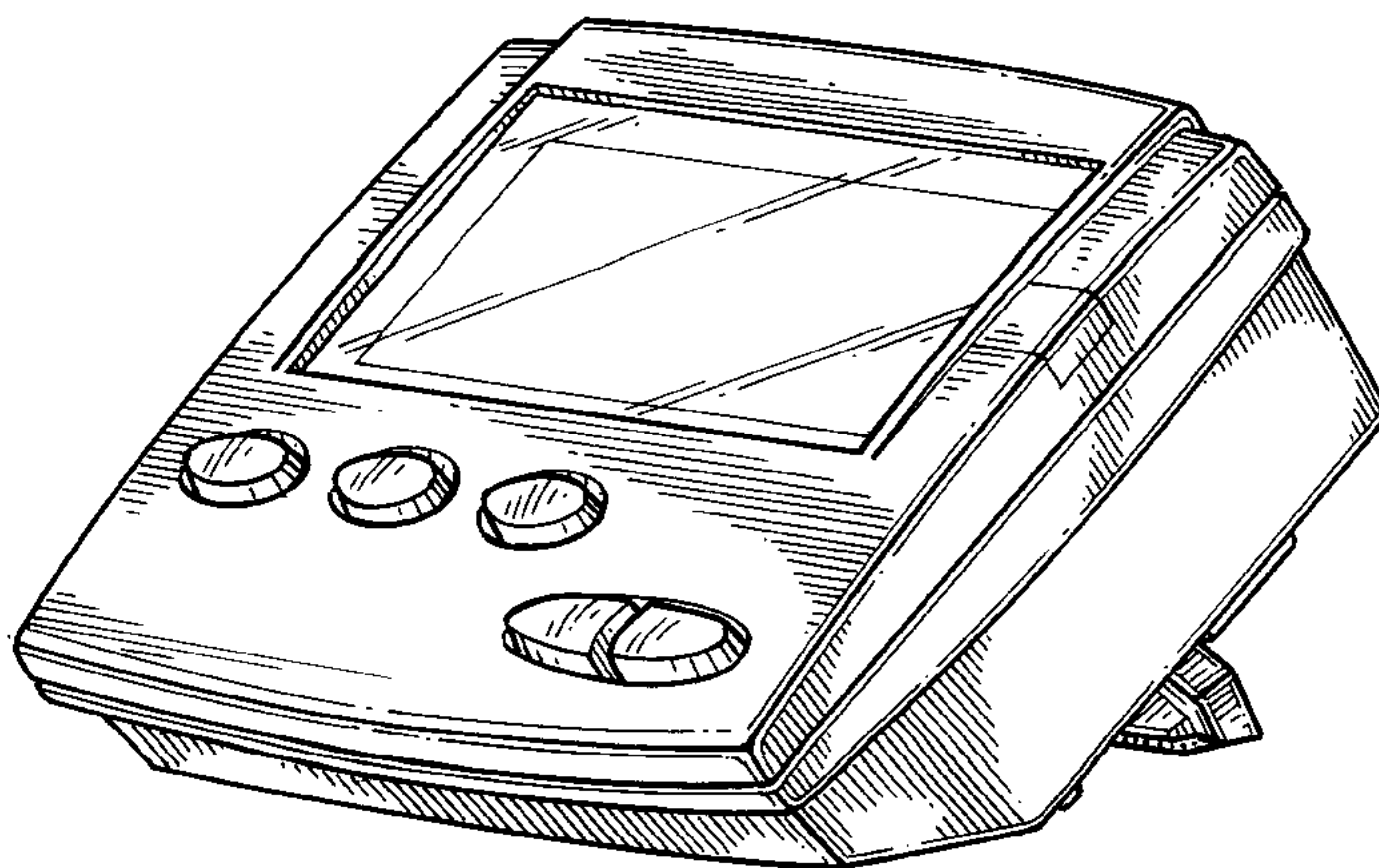
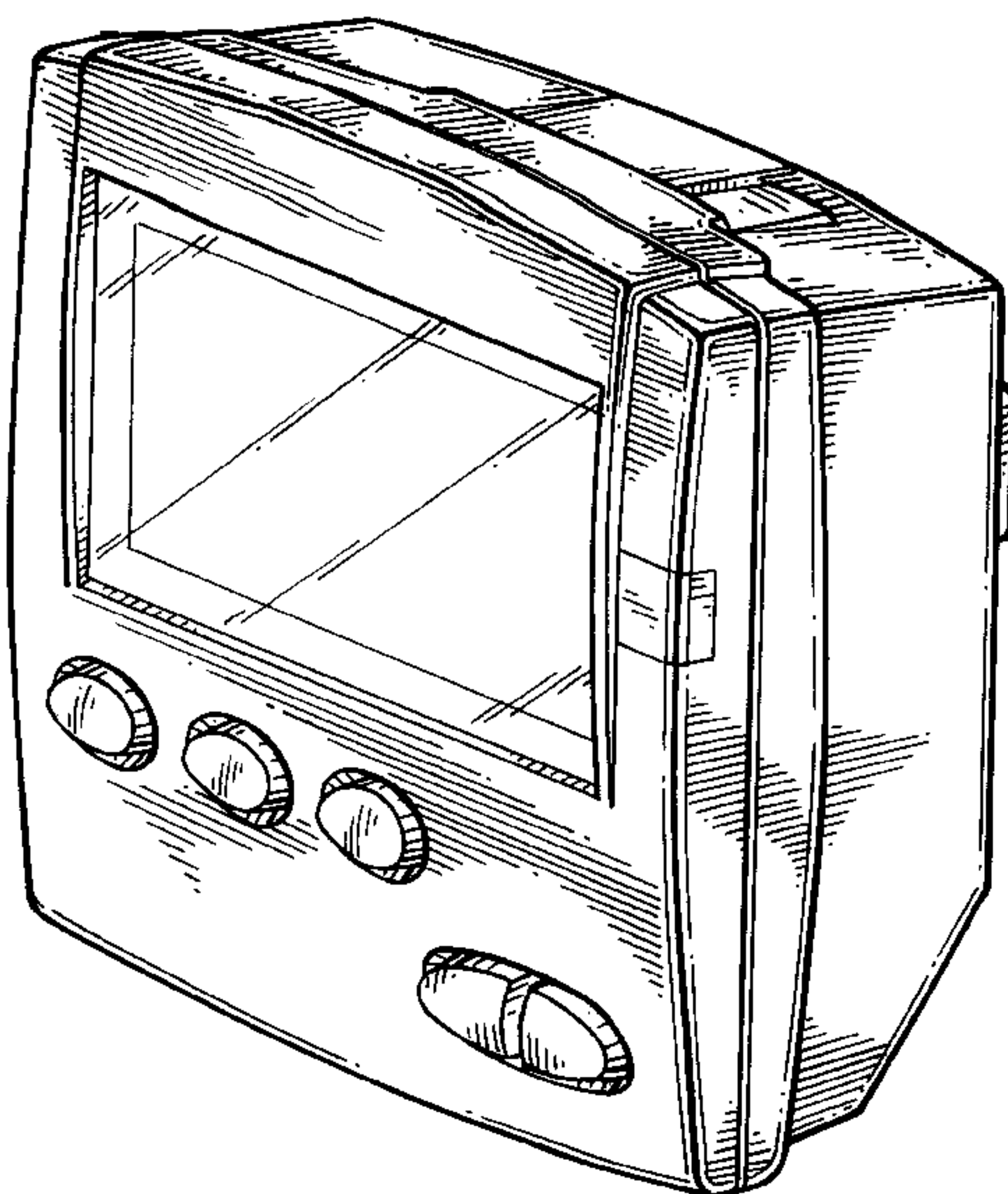
FIG. 7 is a left side view of the caller ID device of FIG. 1 with extension stand extended.

FIG. 8 is a bottom view of the caller ID device of FIG. 1 with extension stand extended.

FIG. 9 is a rear side perspective view of the caller ID device of FIG. 1 with extension stand retracted.

FIG. 10 is a rear-left side perspective view of the caller ID device of FIG. 1 with extension stand extended.

1 Claim, 5 Drawing Sheets



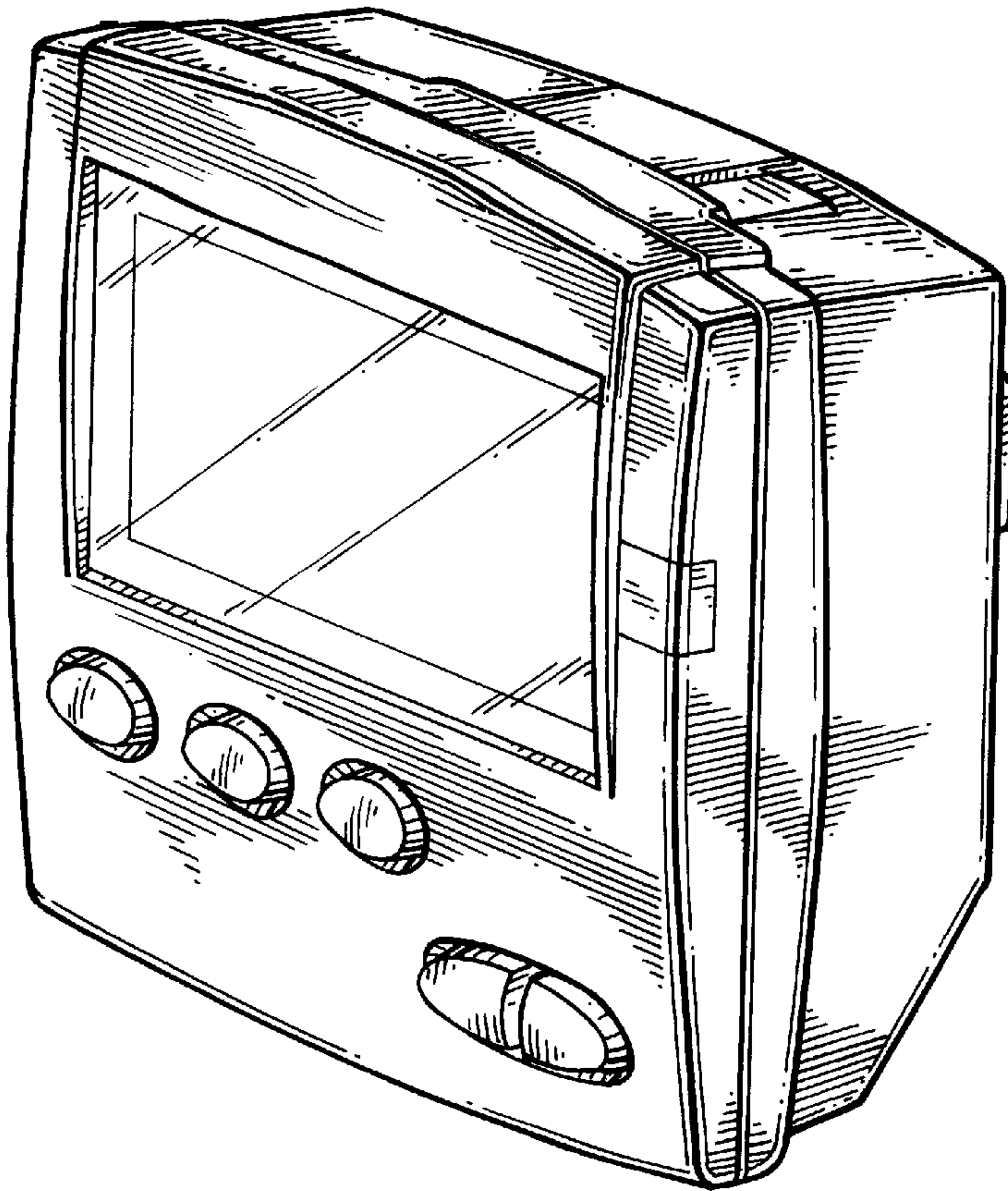


FIG. 1

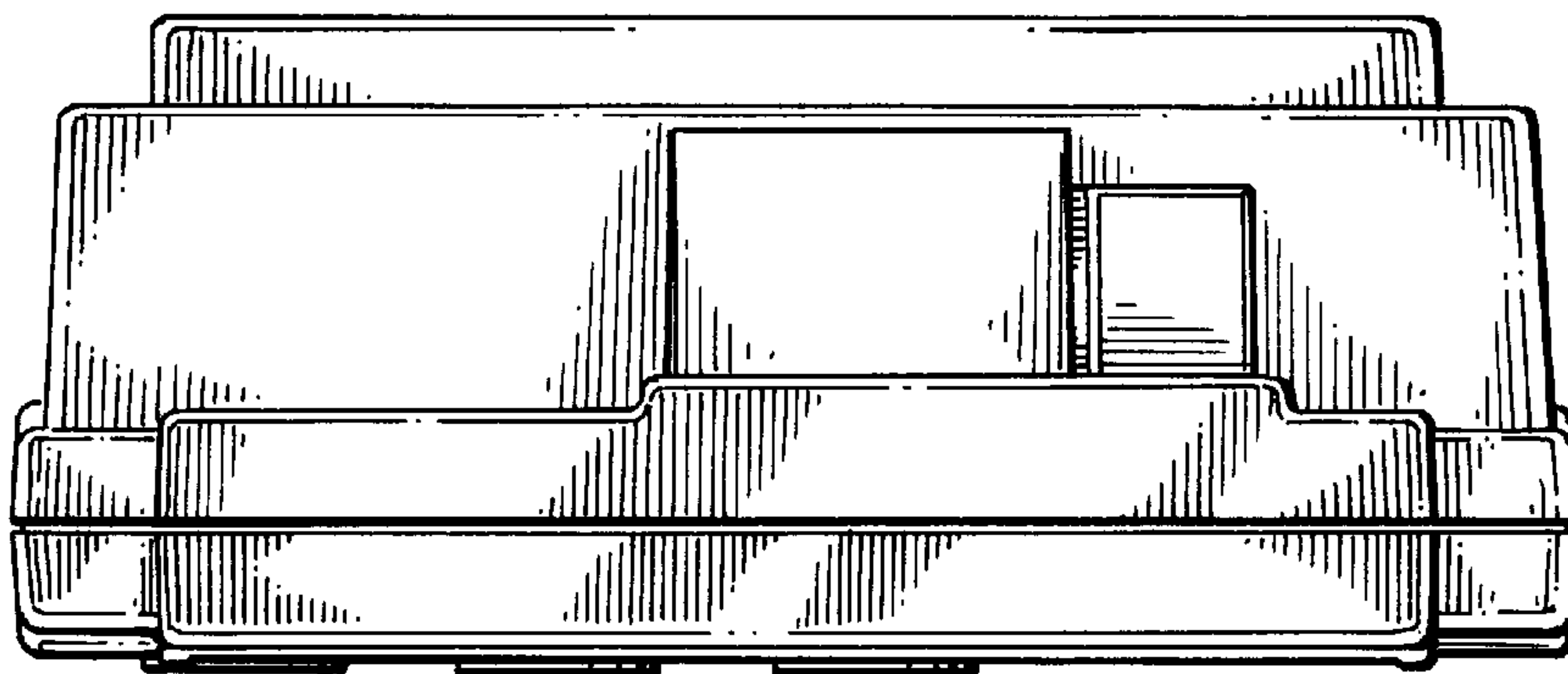


FIG. 2

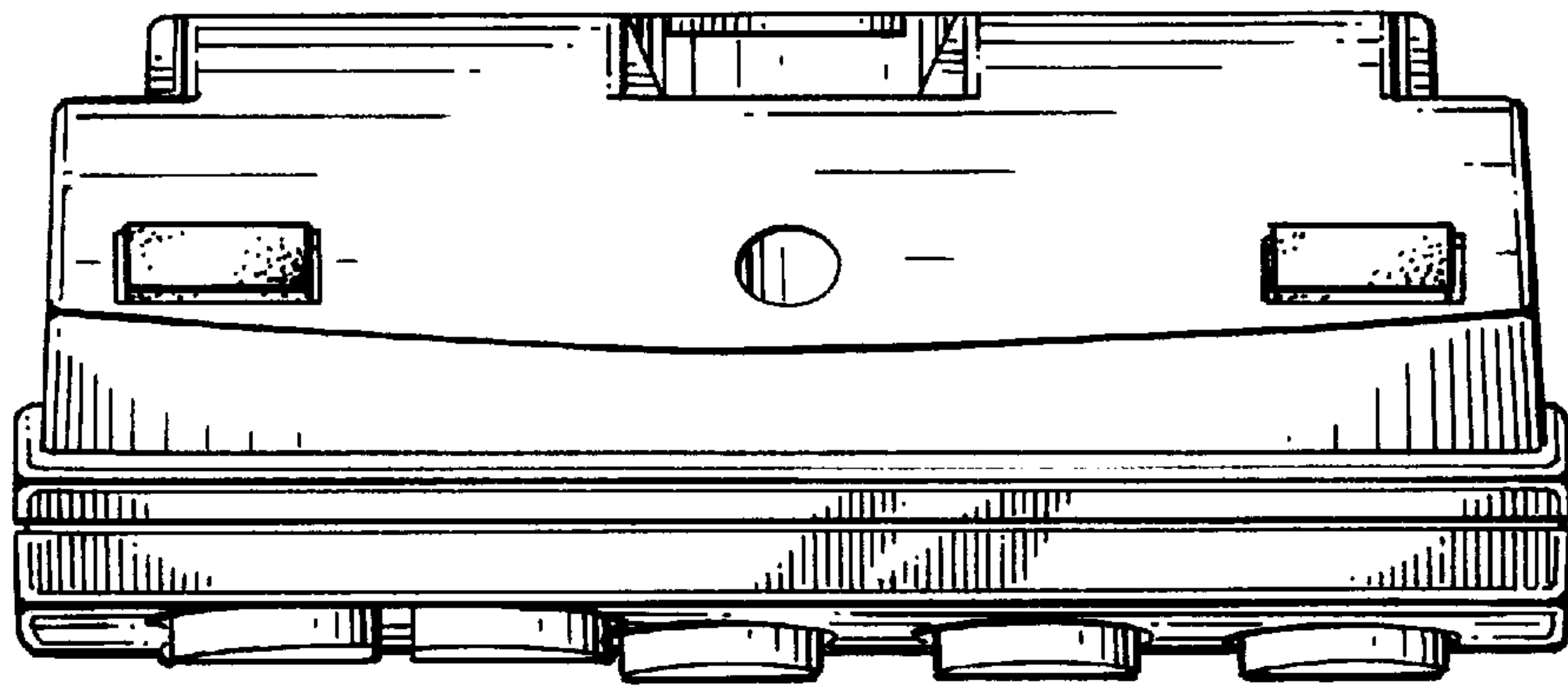


FIG. 3

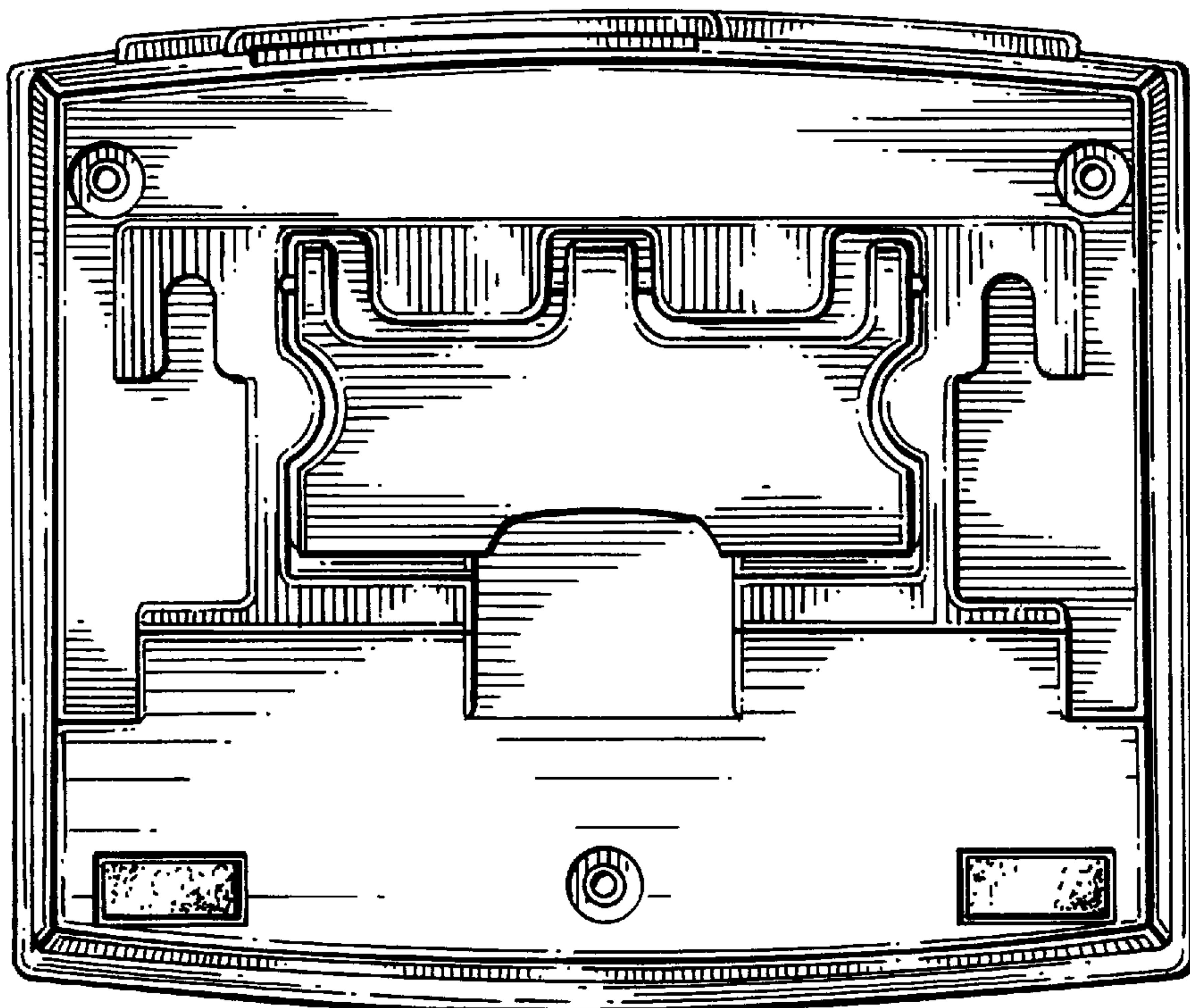


FIG. 4

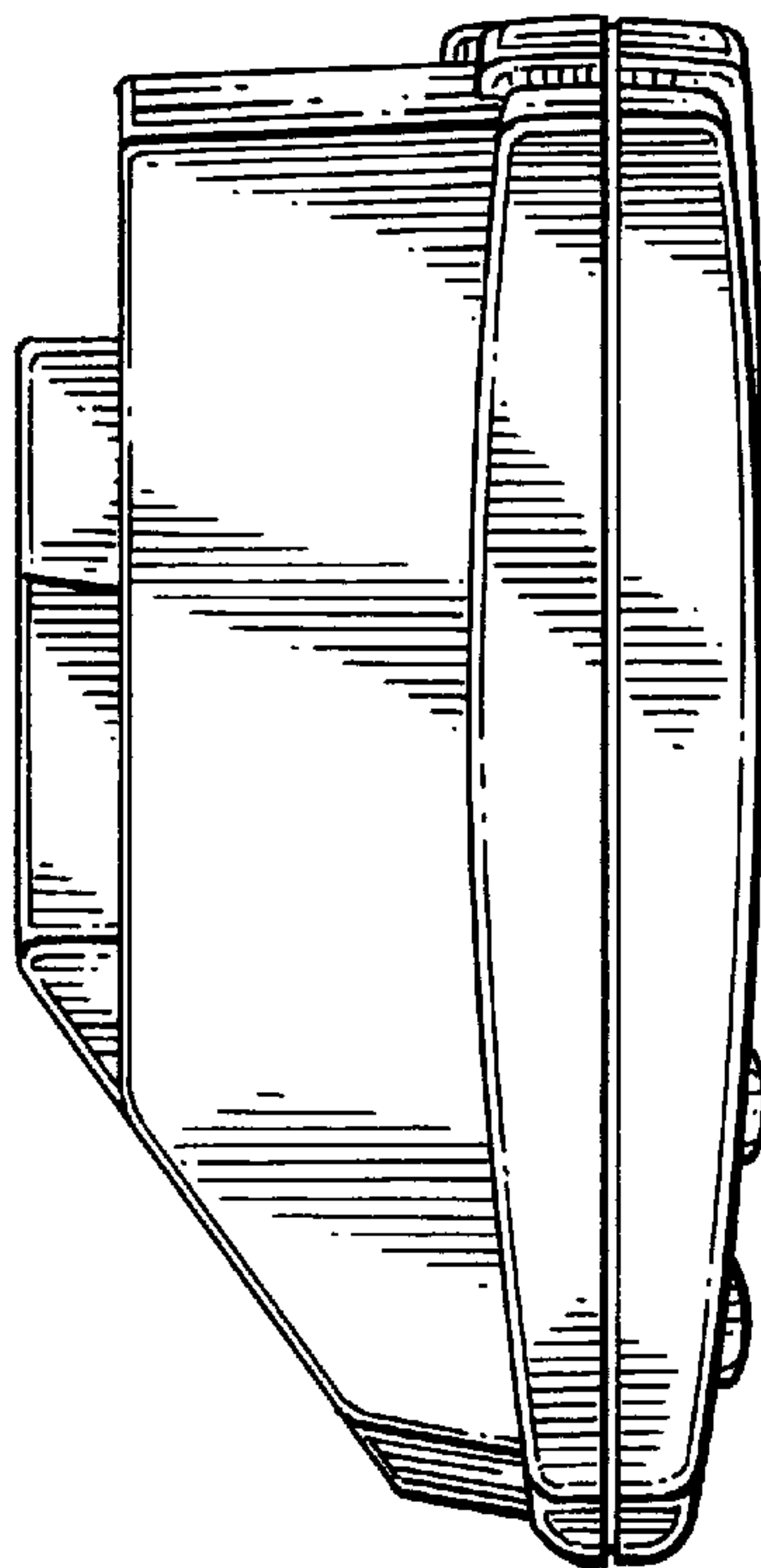


FIG. 5

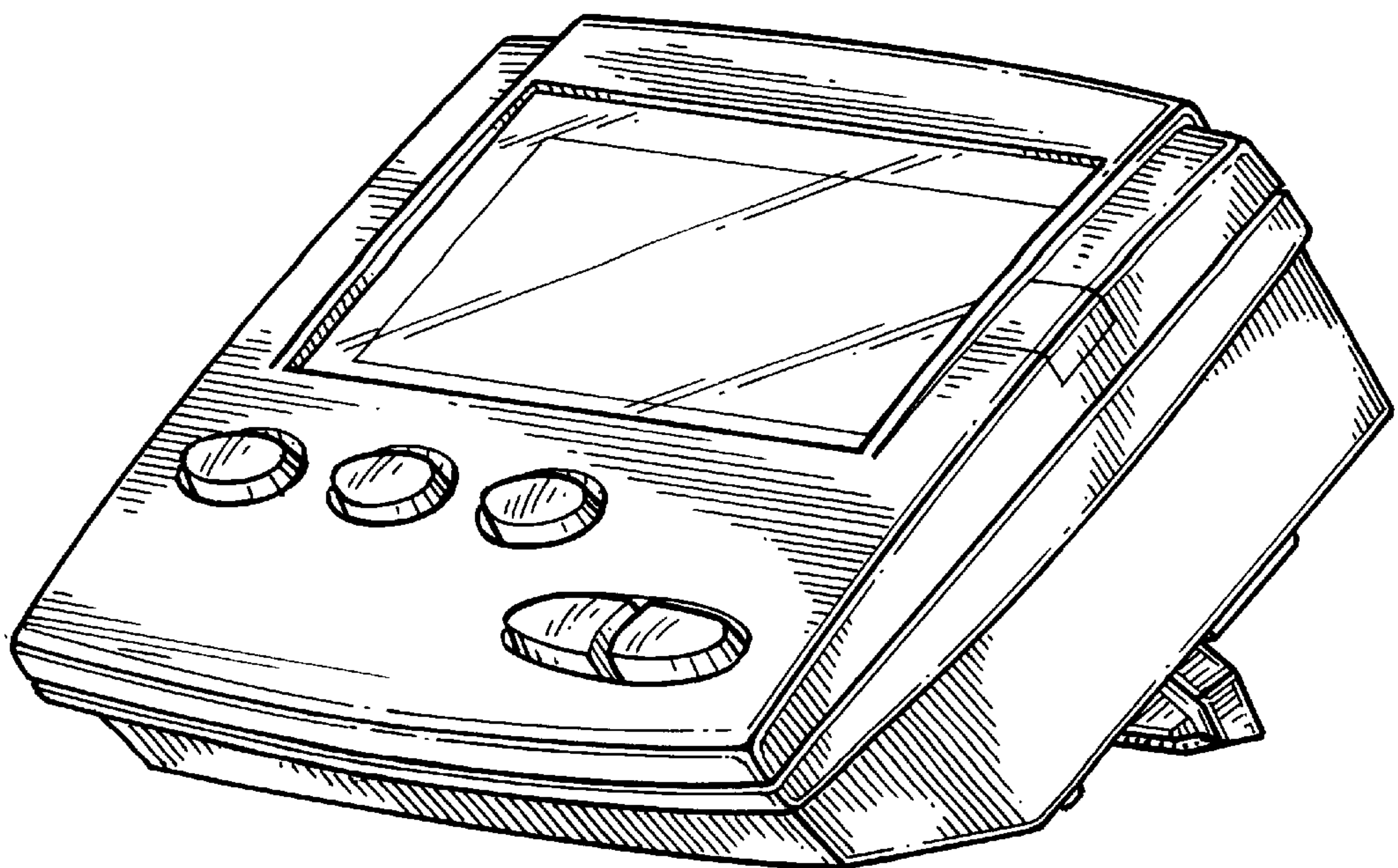


FIG. 6

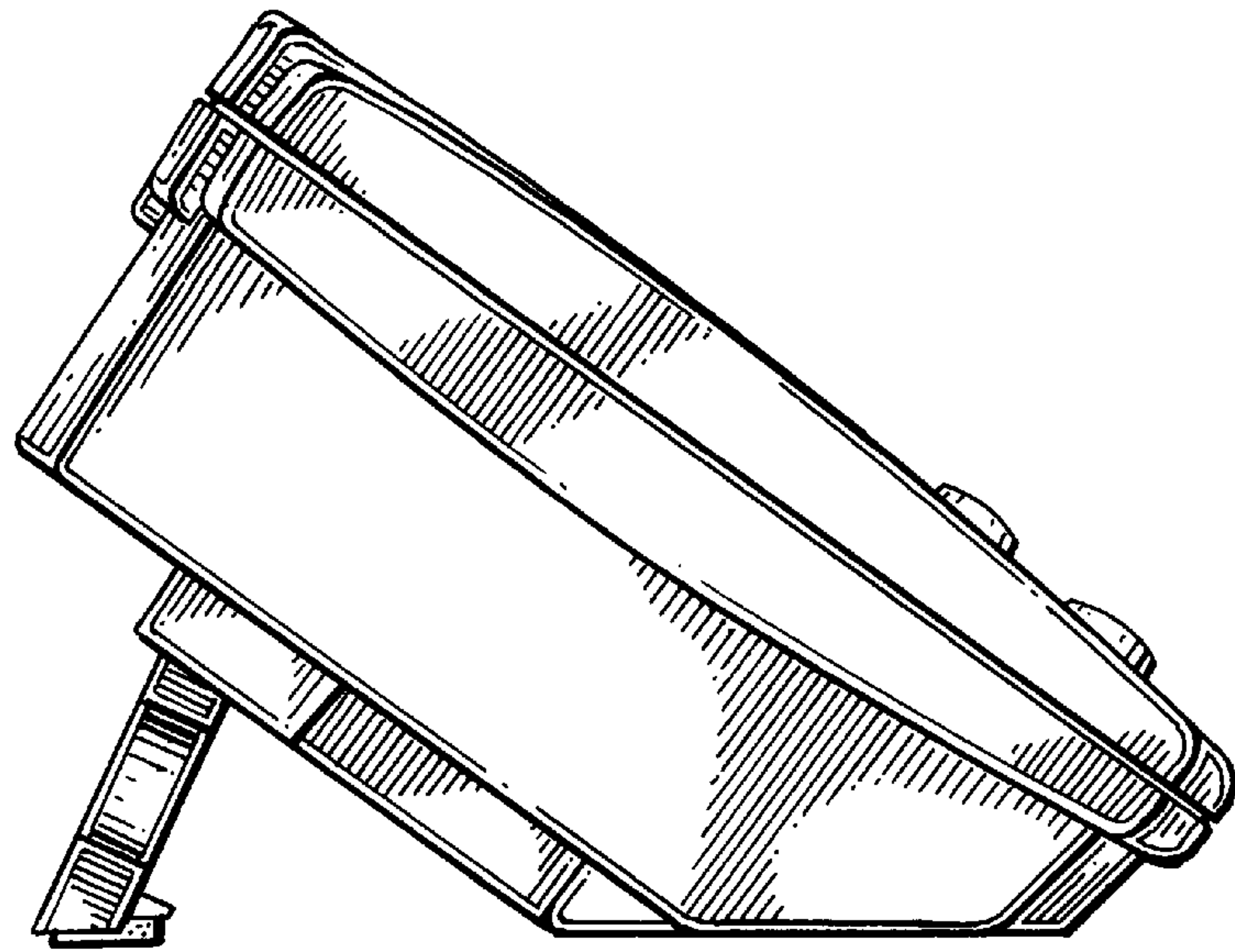


FIG. 7

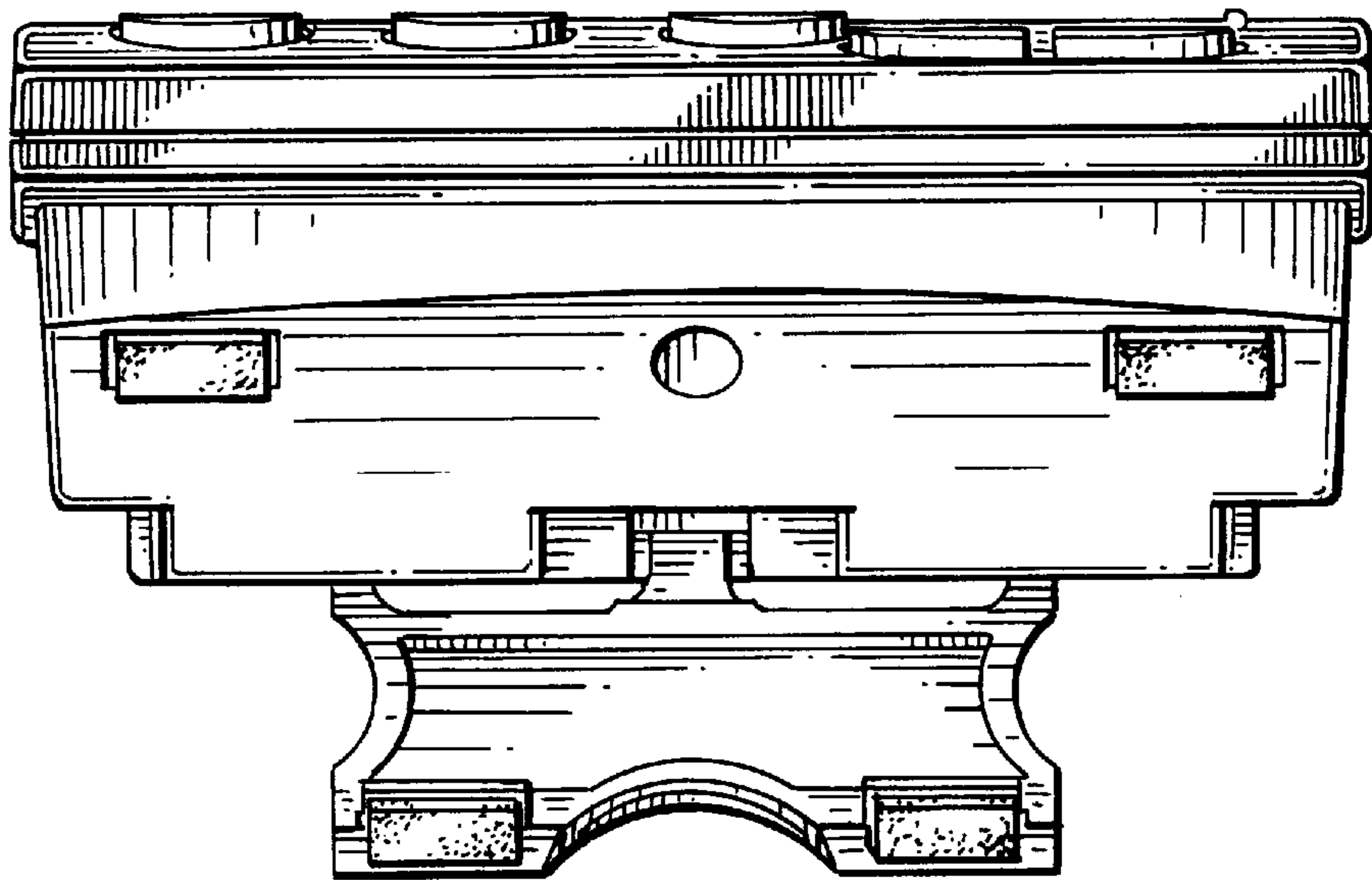


FIG. 8

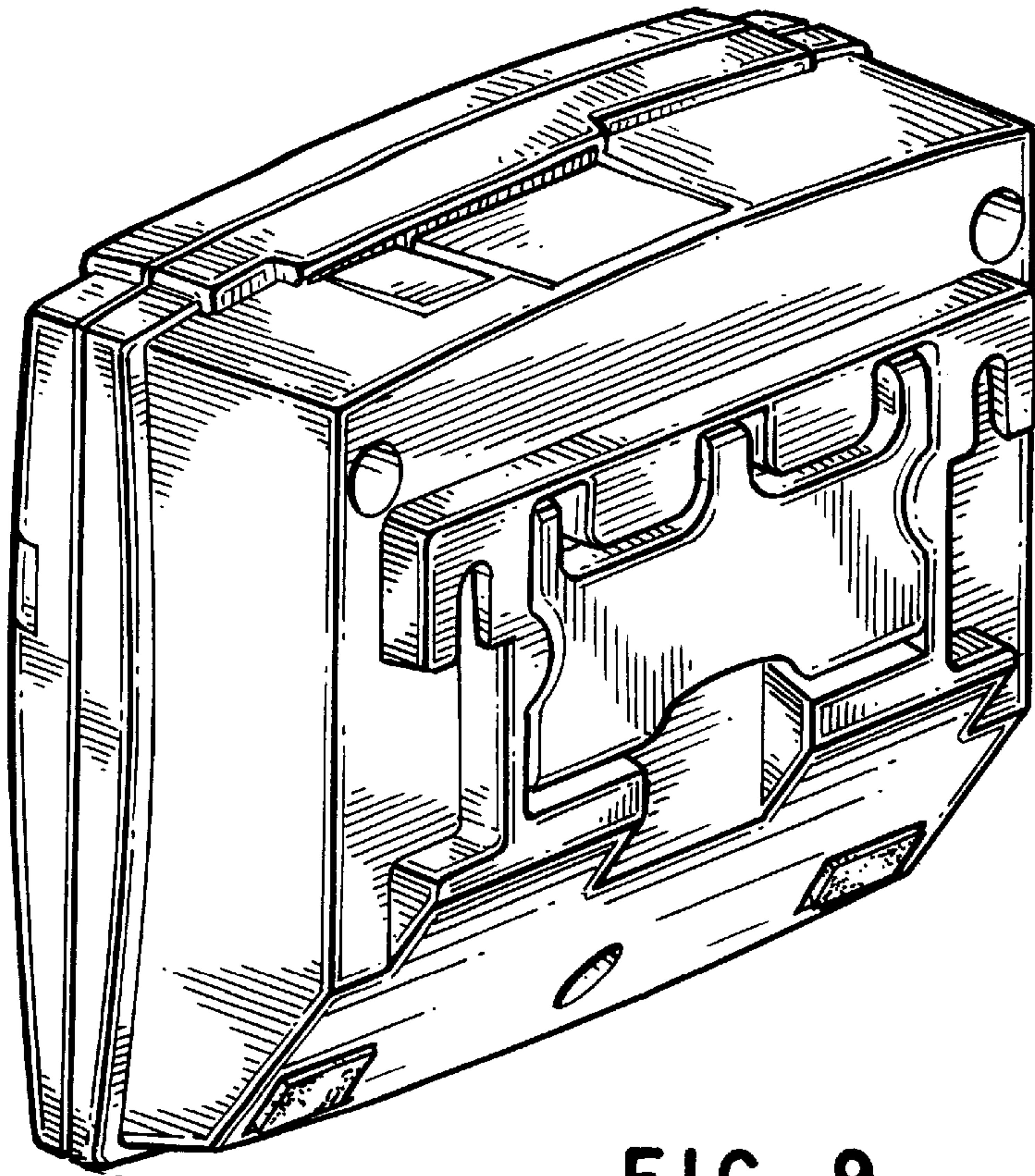


FIG. 9

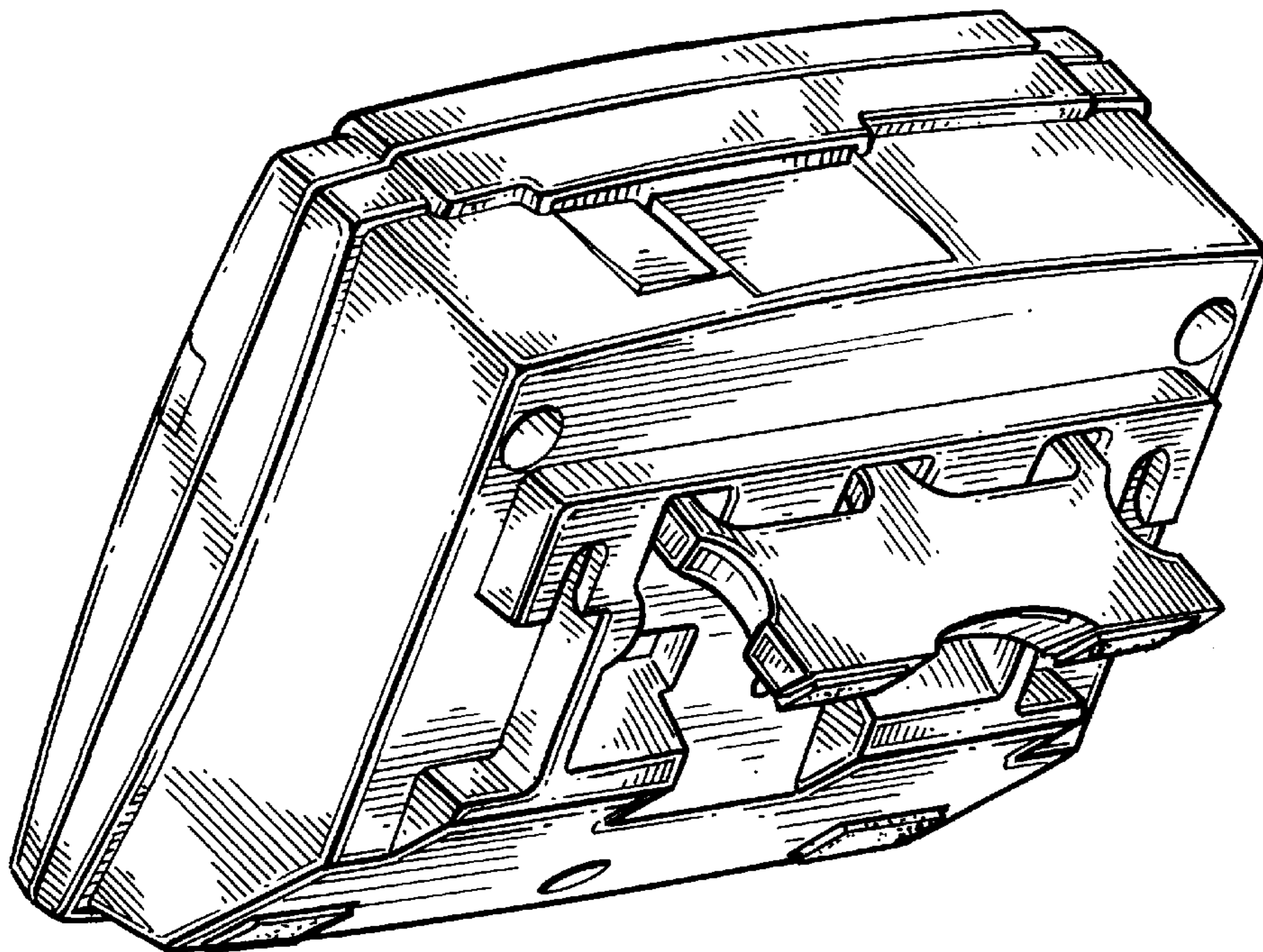


FIG. 10