



US00D420008S

# United States Patent [19]

Lohrding et al.

[11] Patent Number: **Des. 420,008**

[45] Date of Patent: **\*\* Feb. 1, 2000**

[54] **HEADPHONE JACK ASSEMBLY**

[75] Inventors: **Bradley Keith Lohrding**, Gurnee;  
**Daniel Williams**, Vernon Hills; **Teffy Chamoun**, Dekalb, all of Ill.

[73] Assignee: **Motorola, Inc.**, Schaumburg, Ill.

[\*\*] Term: **14 Years**

[21] Appl. No.: **29/080,060**

[22] Filed: **Nov. 26, 1997**

[51] **LOC (7) Cl.** ..... **14-03**

[52] **U.S. Cl.** ..... **D14/240; D13/147; D14/224**

[58] **Field of Search** ..... D14/107, 140,  
D14/142, 138, 240, 256, 223, 224, 253;  
D13/146, 147, 103; D3/218; D21/333; 379/419,  
420, 428, 440, 433, 441, 442, 446; 381/183;  
455/90, 550-575

[56] **References Cited**

**U.S. PATENT DOCUMENTS**

D. 295,511	5/1988	Scheid et al. ....	D14/138 X
D. 320,018	9/1991	Bakanowsky, III .....	D21/333
D. 349,095	7/1994	Gorenz, Jr. et al. ....	D13/103
D. 357,898	5/1995	Richards et al. ....	D13/147 X
D. 383,801	9/1997	Oikawa .....	D21/333
D. 384,044	9/1997	Tanimura .....	D14/107
D. 385,283	10/1997	Snyder et al. ....	D14/253
D. 405,800	2/1999	Brown .....	D3/218 X
5,664,012	9/1997	Chen .....	379/433 X
5,671,274	9/1997	Kotaka .....	379/433
5,708,707	1/1998	Halttunen .....	379/446
5,724,667	3/1998	Furuno .....	455/90 X
5,745,859	4/1998	Takenaka .....	455/568
5,812,683	9/1998	Parker et al. ....	381/183
5,845,197	12/1998	Hada et al. ....	455/90

*Primary Examiner*—Jeffrey Asch  
*Attorney, Agent, or Firm*—Randall S. Vaas

[57] **CLAIM**

The ornamental design for a headphone jack assembly, as shown and described.

**DESCRIPTION**

FIG. 1 is a top, rear and right side perspective view of our new portable telephone with broken line matter being for illustrative purposes only and forming no part of the claimed design.

FIG. 2 is a bottom plan view thereof with broken line matter being for illustrative purposes only and forming no part of the claimed design.

FIG. 3 is a front elevation view thereof with broken line matter being for illustrative purposes only and forming no part of the claimed design.

FIG. 4 is a rear elevation view thereof with broken line matter being for illustrative purposes only and forming no part of the claimed design.

FIG. 5 is a left side view thereof with broken line matter being for illustrative purposes only and forming no part of the claimed design.

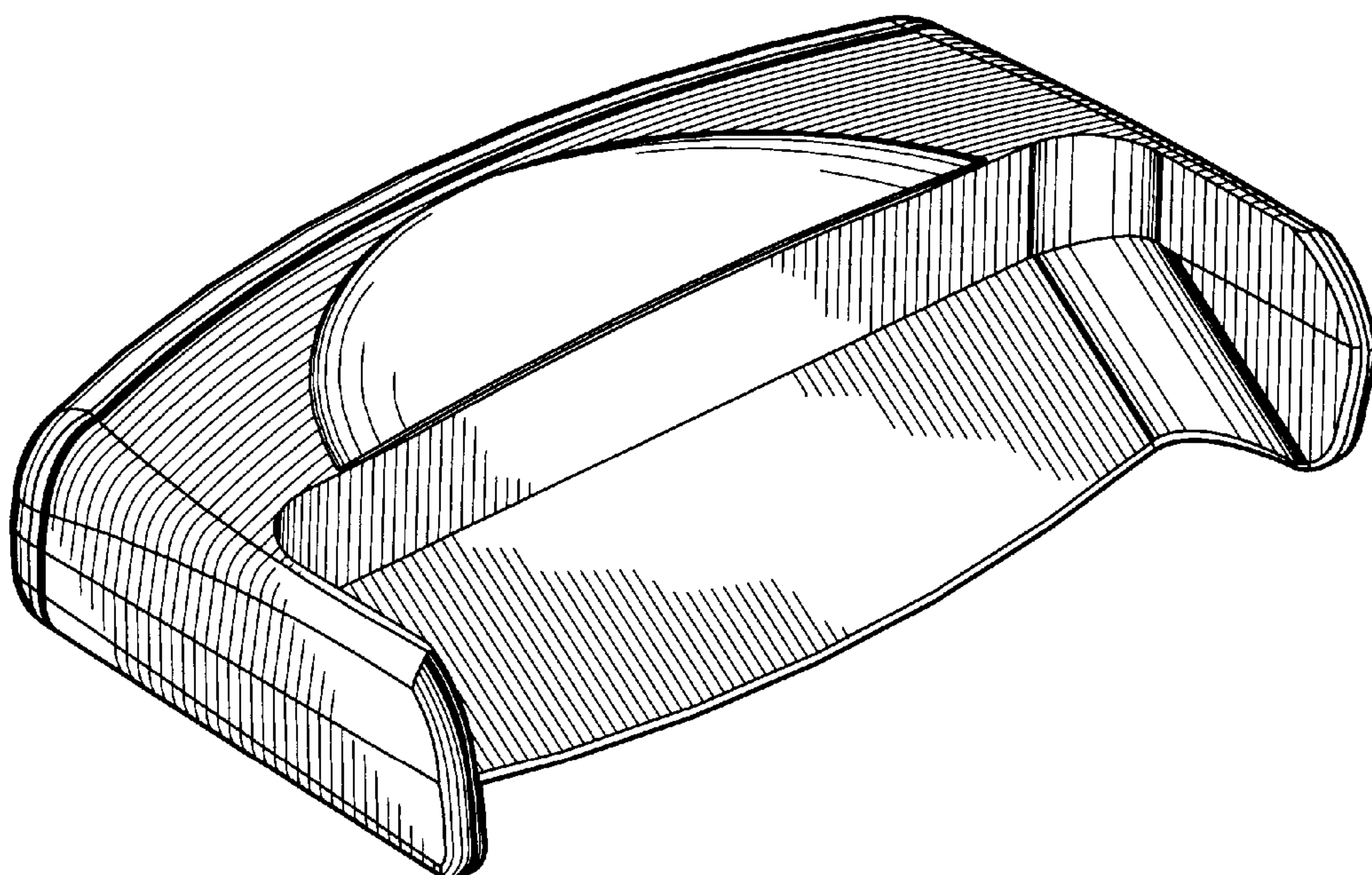
FIG. 6 is a top plan view thereof with broken line matter being for illustrative purposes only and forming no part of the claimed design.

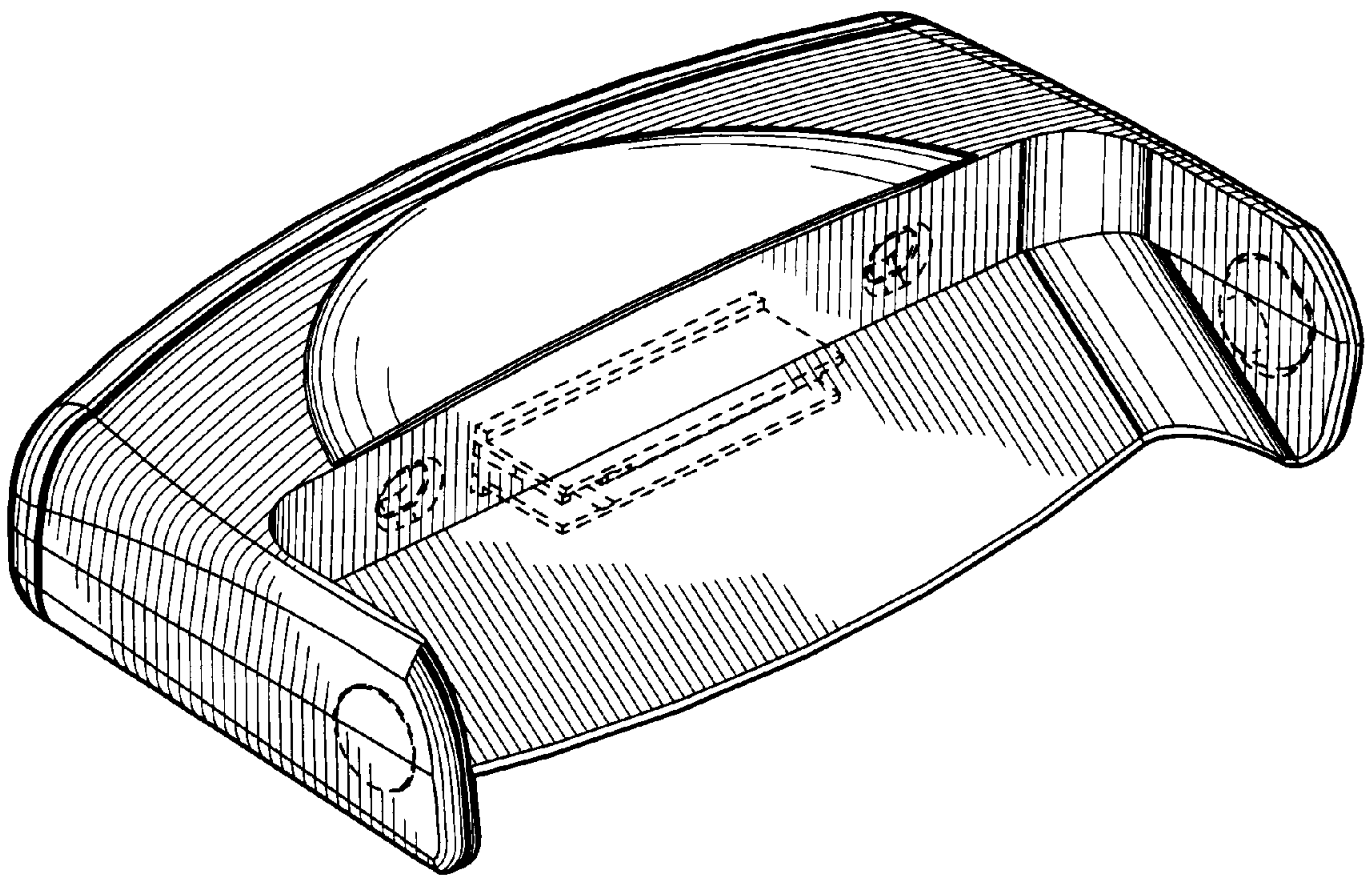
FIG. 7 is a right side elevation view thereof with broken line matter being for illustrative purposes only and forming no part of the claimed design.

FIG. 8 is a top, rear and right side perspective view thereof without the broken lines; and,

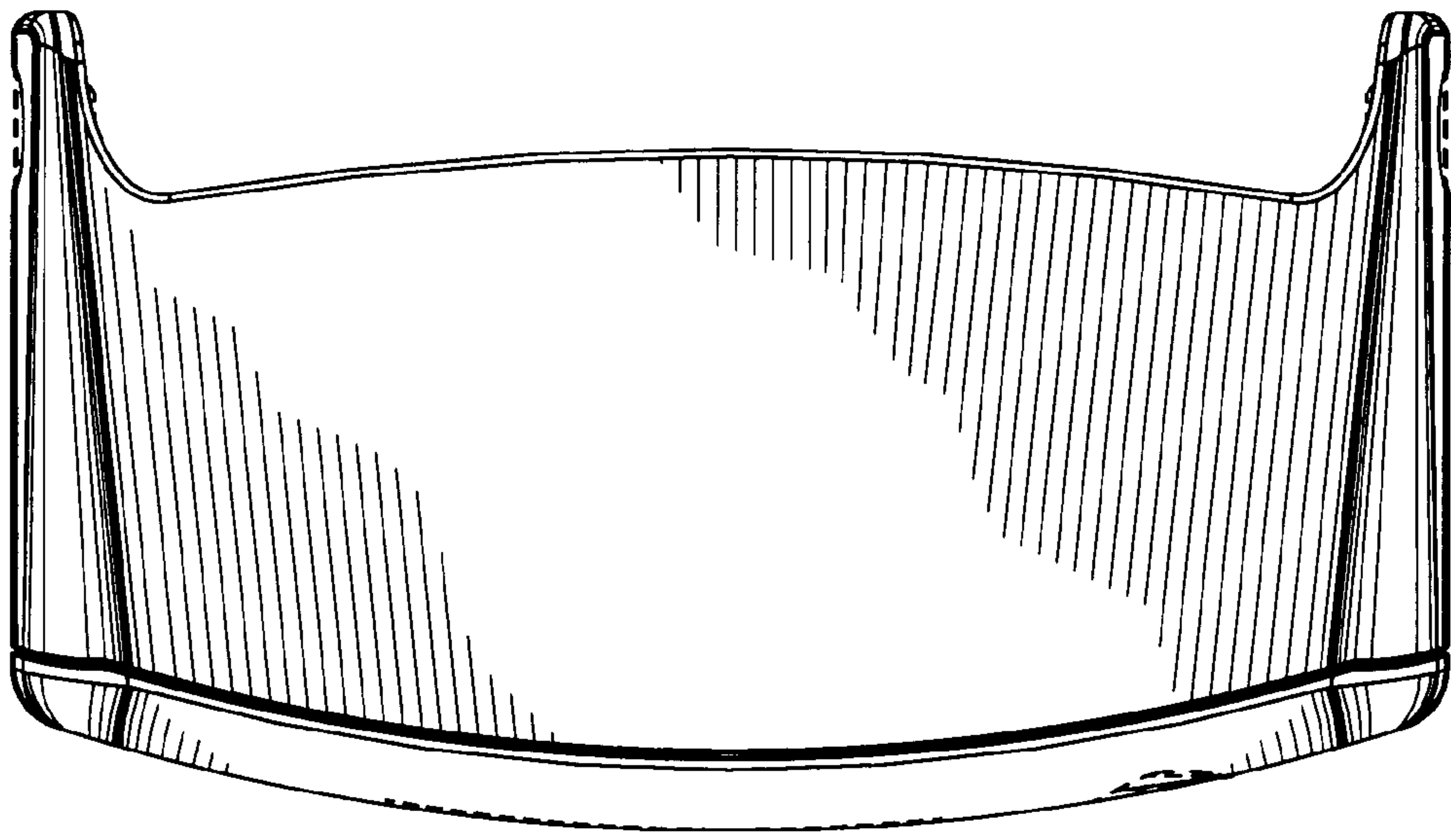
FIG. 9 is a front elevation view thereof without the broken lines.

**1 Claim, 5 Drawing Sheets**

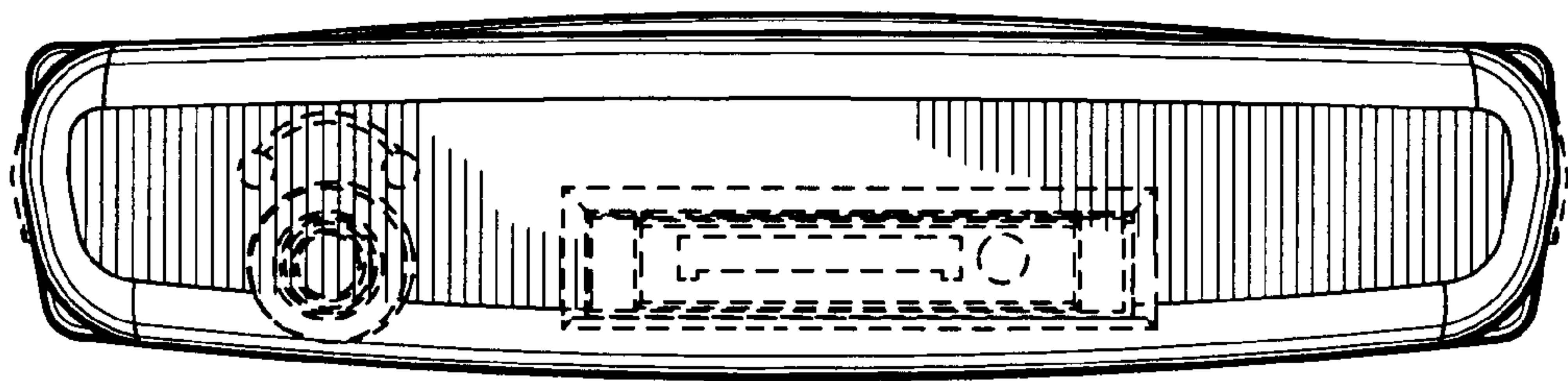




*FIG. 1*

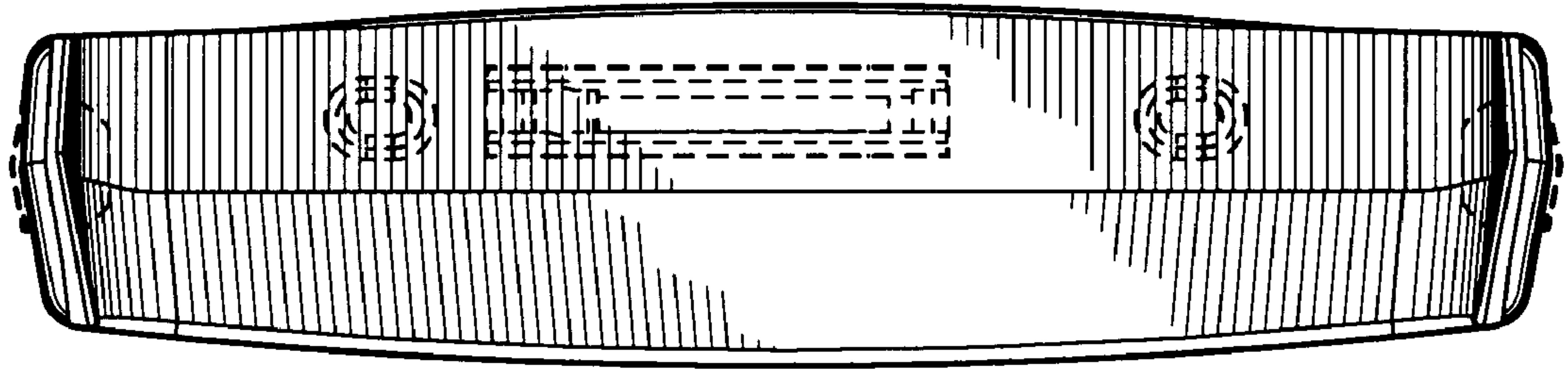


*FIG. 2*

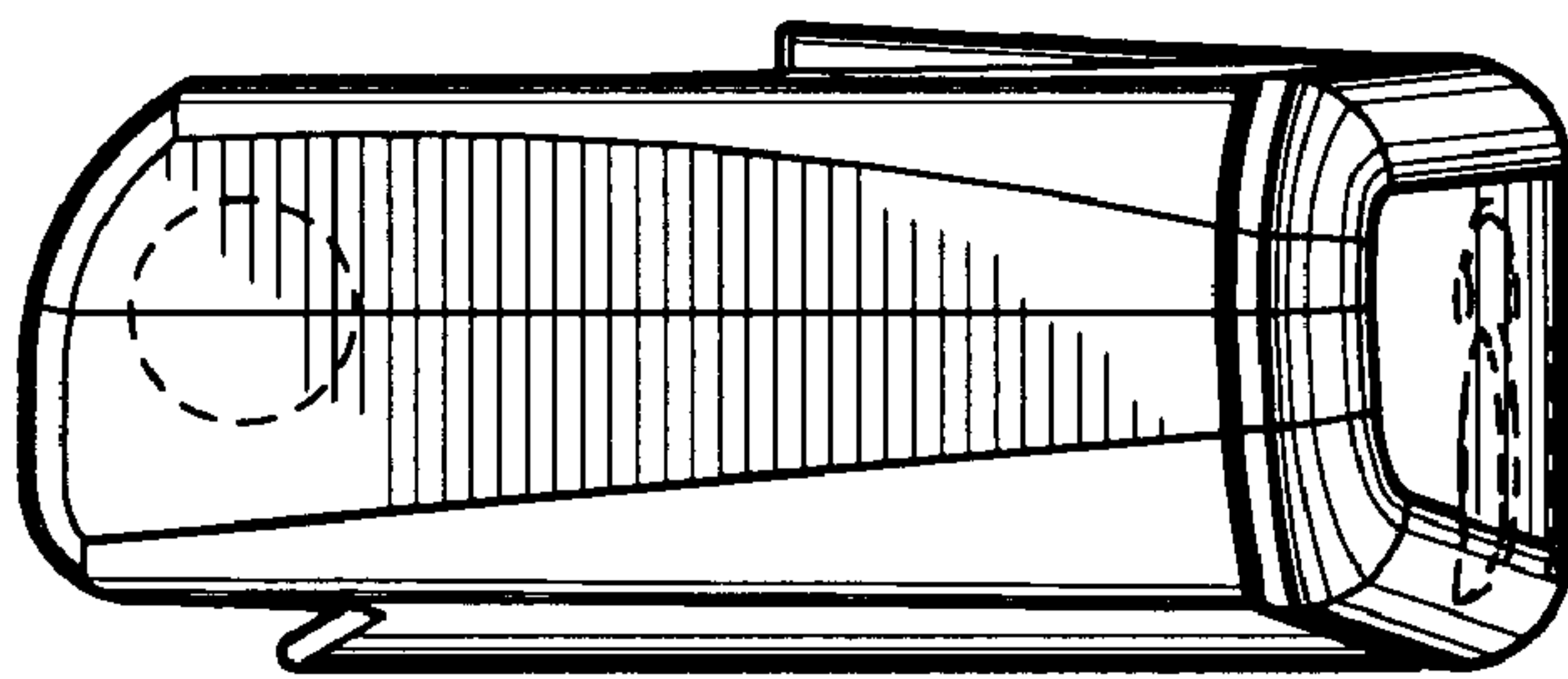


*FIG. 3*

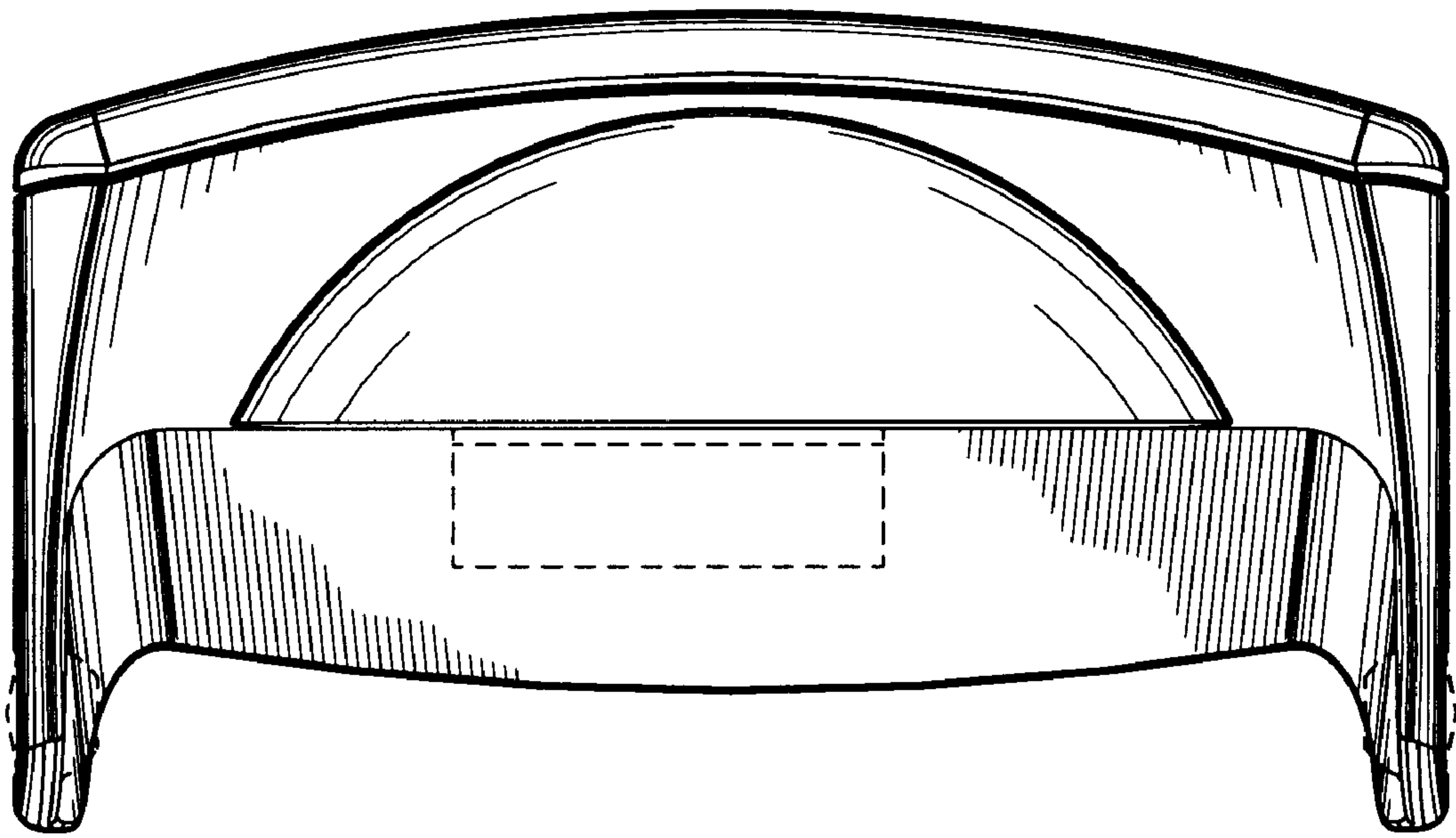




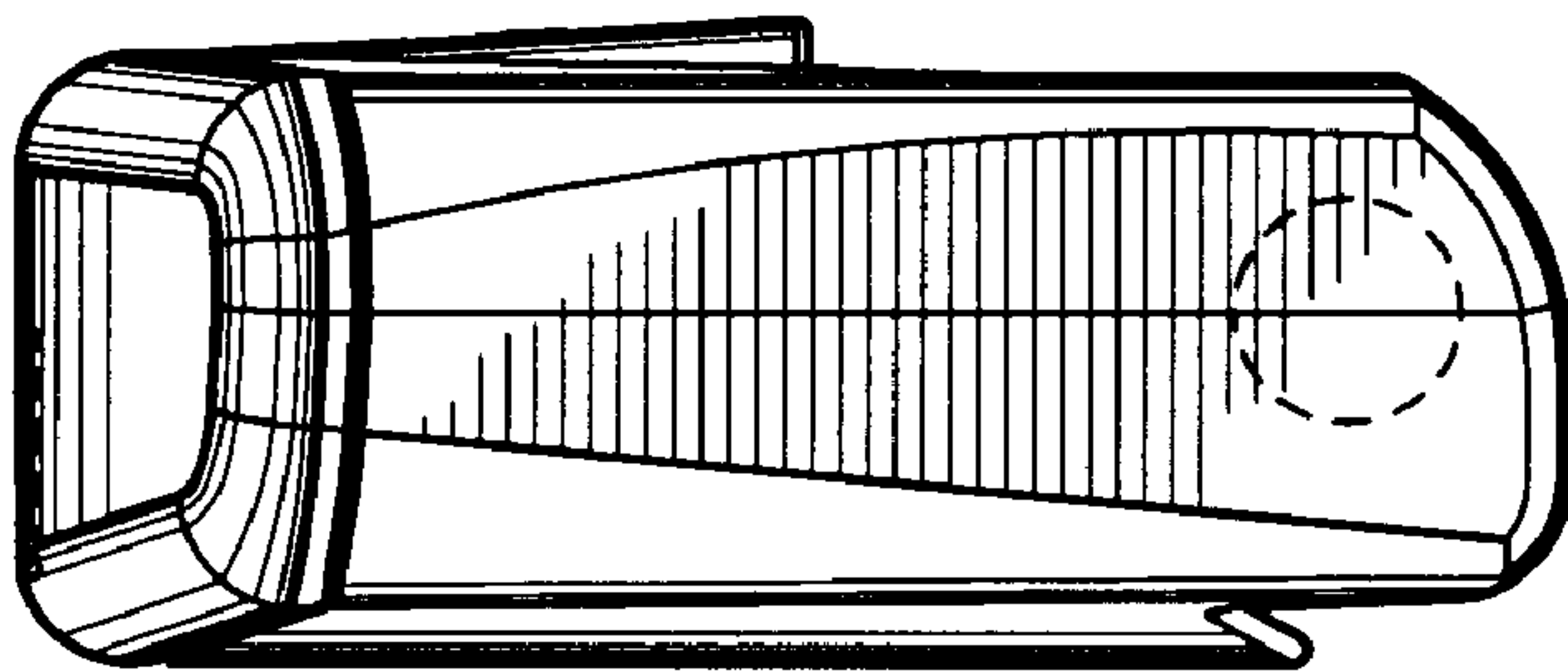
*FIG. 4*



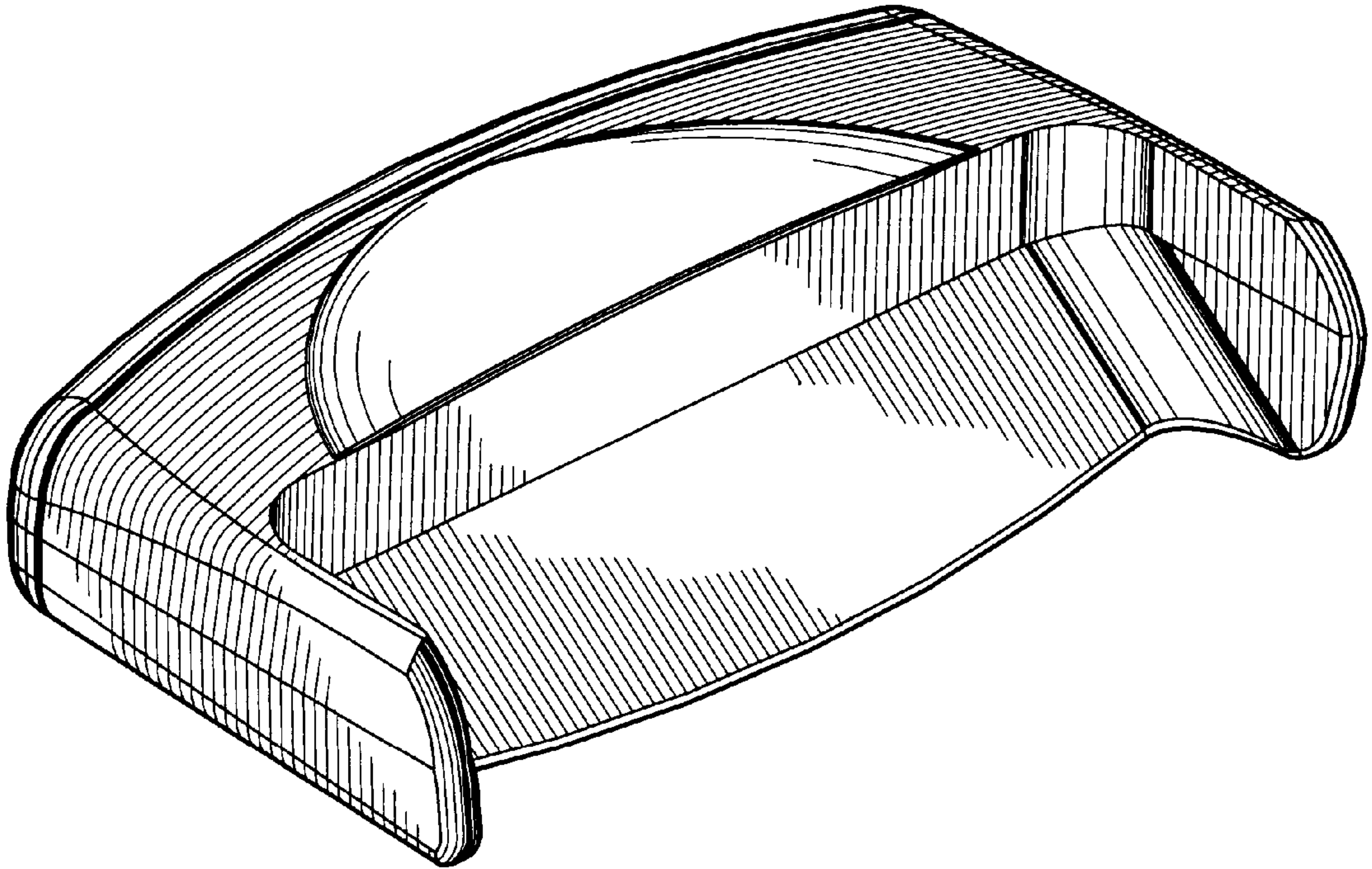
*FIG. 5*



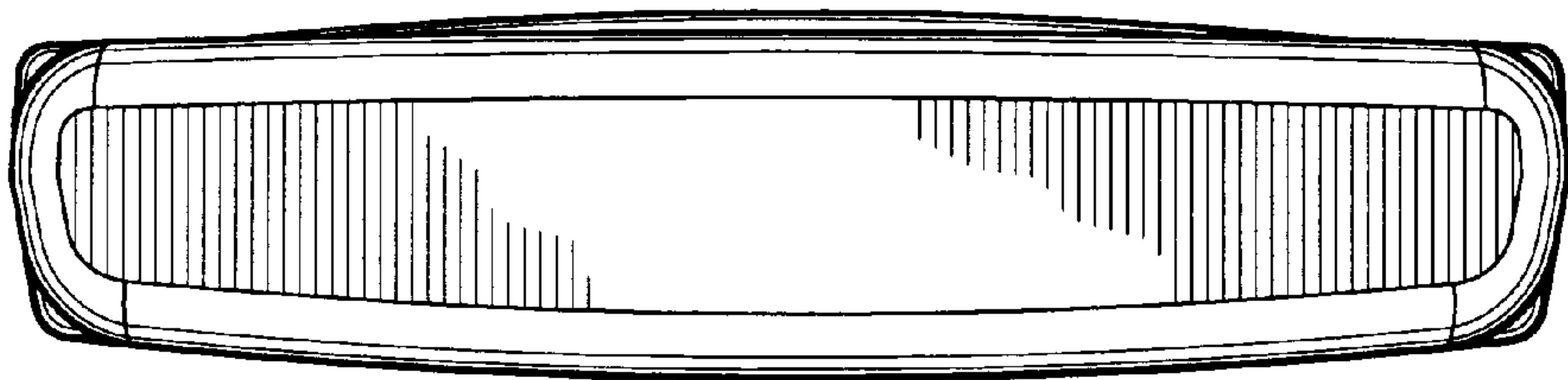
*FIG. 6*



*FIG. 7*



*FIG. 8*



*FIG. 9*