



US00D419991S

United States Patent [19] Park

[11] **Patent Number: Des. 419,991**
[45] **Date of Patent: ** Feb. 1, 2000**

[54] **FOLDABLE WIRELESS TELEPHONE HOUSING**

5,706,332 1/1998 Nagai 455/550
5,857,148 1/1999 Weissappel et al. 455/90

[75] Inventor: **Dong-Wook Park**, Seoul, Rep. of Korea

OTHER PUBLICATIONS

Japanese Advertisement showing Do Co Mo phone, Nov. 1997.

[73] Assignee: **Hyundai Electronics Ind. Co., Ltd.**, Kyoungki-do, Rep. of Korea

Japanese patent 848974, Oct. 1992.

[**] Term: **14 Years**

Primary Examiner—Jeffrey Asch
Attorney, Agent, or Firm—McAulay Nissen Goldberg Kiel & Hand,LLP

[21] Appl. No.: **29/097,123**

[57] CLAIM

[22] Filed: **Nov. 30, 1998**

The ornamental design for a foldable wireless telephone housing, as shown and described.

[30] **Foreign Application Priority Data**

DESCRIPTION

Jun. 1, 1998 [KR] Rep. of Korea 98-09054

[51] **LOC (7) Cl.** **14-03**

FIG. 1 is a perspective view of the foldable wireless telephone housing in a closed position;

[52] **U.S. Cl.** **D14/138**

FIG. 2 is a right side plan view thereof in the closed position;

[58] **Field of Search** D14/137, 138, D14/147-148, 247-248, 250, 240, 140-142; 379/433, 434, 419, 420, 428, 440; 455/550-575, 90

FIG. 3 is a top plan view thereof in the closed position;

FIG. 4 is a rear plan view thereof in the closed position;

FIG. 5 is a bottom plan view thereof in the closed position;

FIG. 6 is a left side plan view thereof in the closed position;

FIG. 7 is a front view thereof in the closed position;

FIG. 8 is a perspective view of the foldable wireless telephone housing in an open position;

FIG. 9 is a right side plan view thereof in the open position;

FIG. 10 is a top plan view thereof in the open position;

FIG. 11 is a rear plan view thereof in the open position;

FIG. 12 is a bottom plan view thereof in the open position;

FIG. 13 is a left side plan view thereof in the open position;

and,

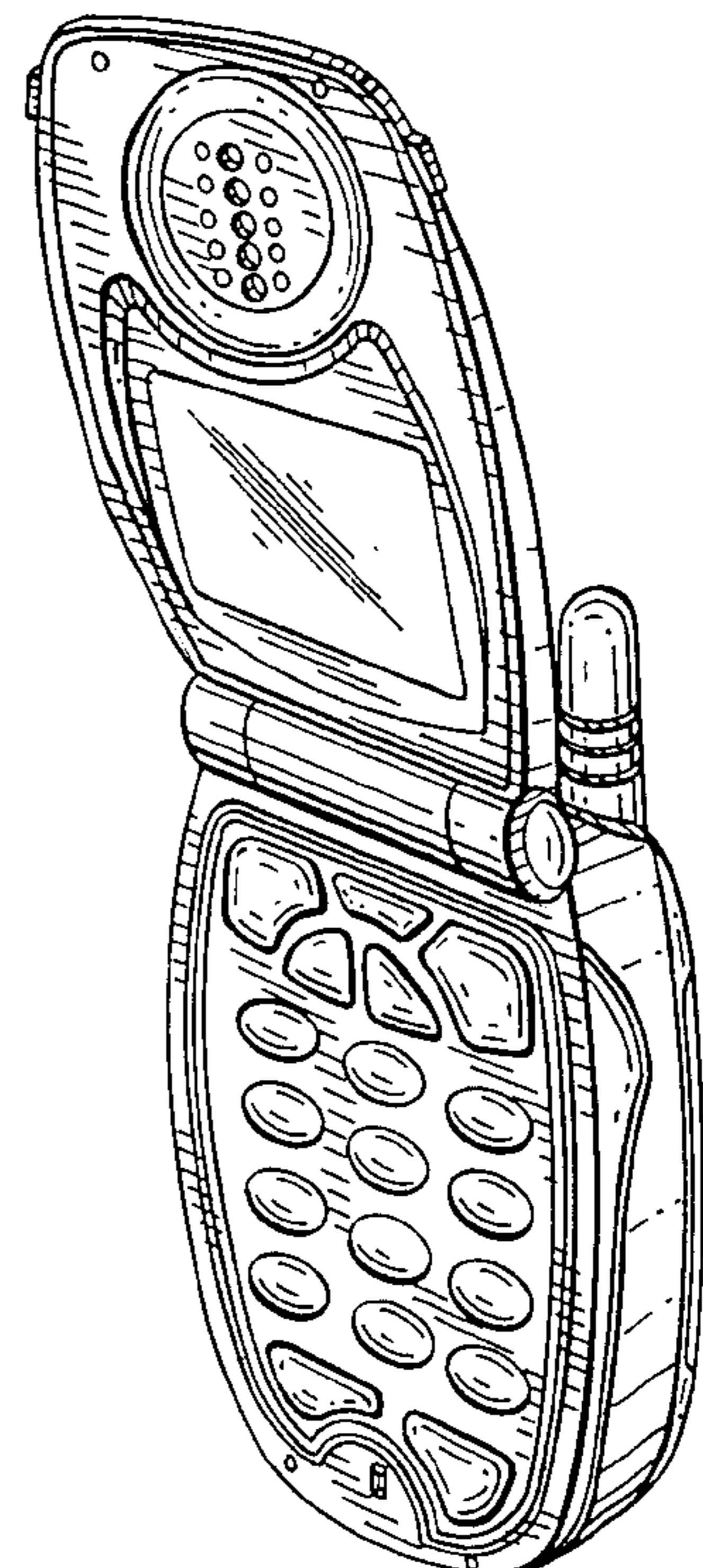
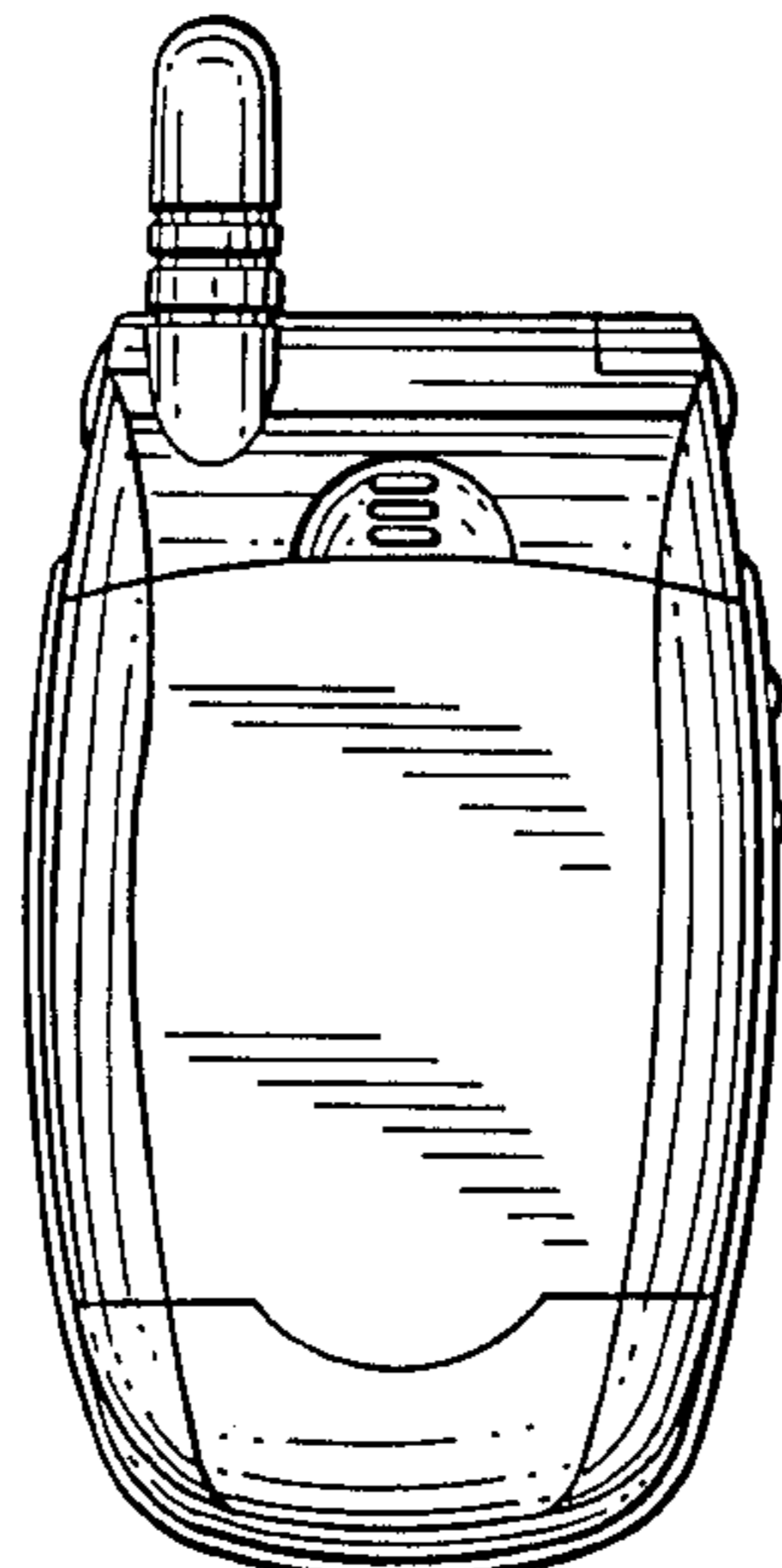
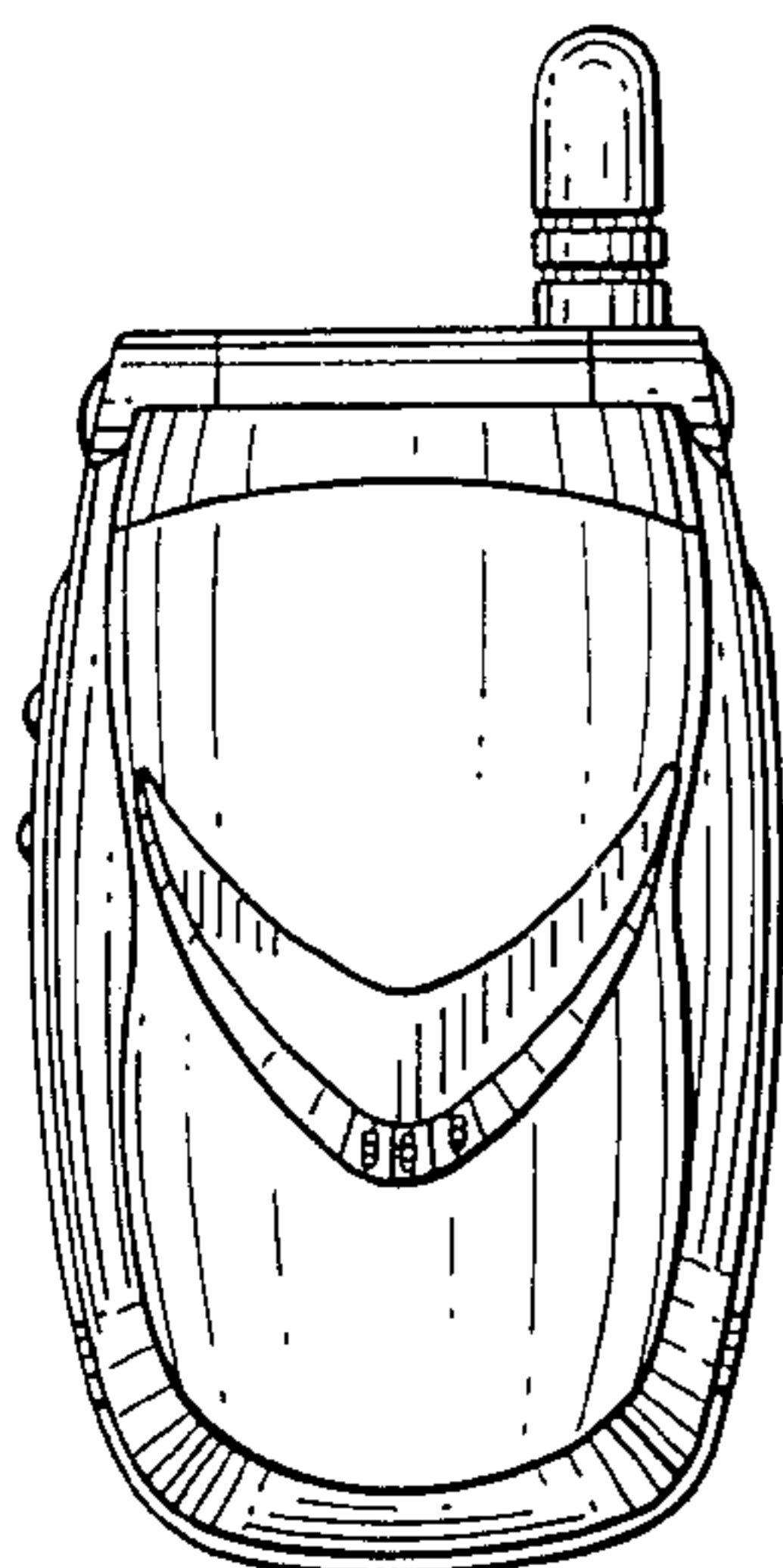
FIG. 14 is a front plan view thereof in the open position.

[56] References Cited

U.S. PATENT DOCUMENTS

D. 319,441	8/1991	Kono et al.	D14/147
D. 345,356	3/1994	Ando et al.	D14/138
D. 382,873	8/1997	MacDonald, Jr. et al.	D14/138
D. 385,873	11/1997	Nagele et al.	D14/138
D. 398,305	9/1998	Kasbekar et al.	D14/144
D. 405,081	2/1999	Nagele et al.	D14/138
5,335,368	8/1994	Tamura	455/90
5,493,604	2/1996	Hirayama	455/564
5,668,867	9/1997	Nagai	379/433
5,689,824	11/1997	Nagai	455/575

1 Claim, 4 Drawing Sheets



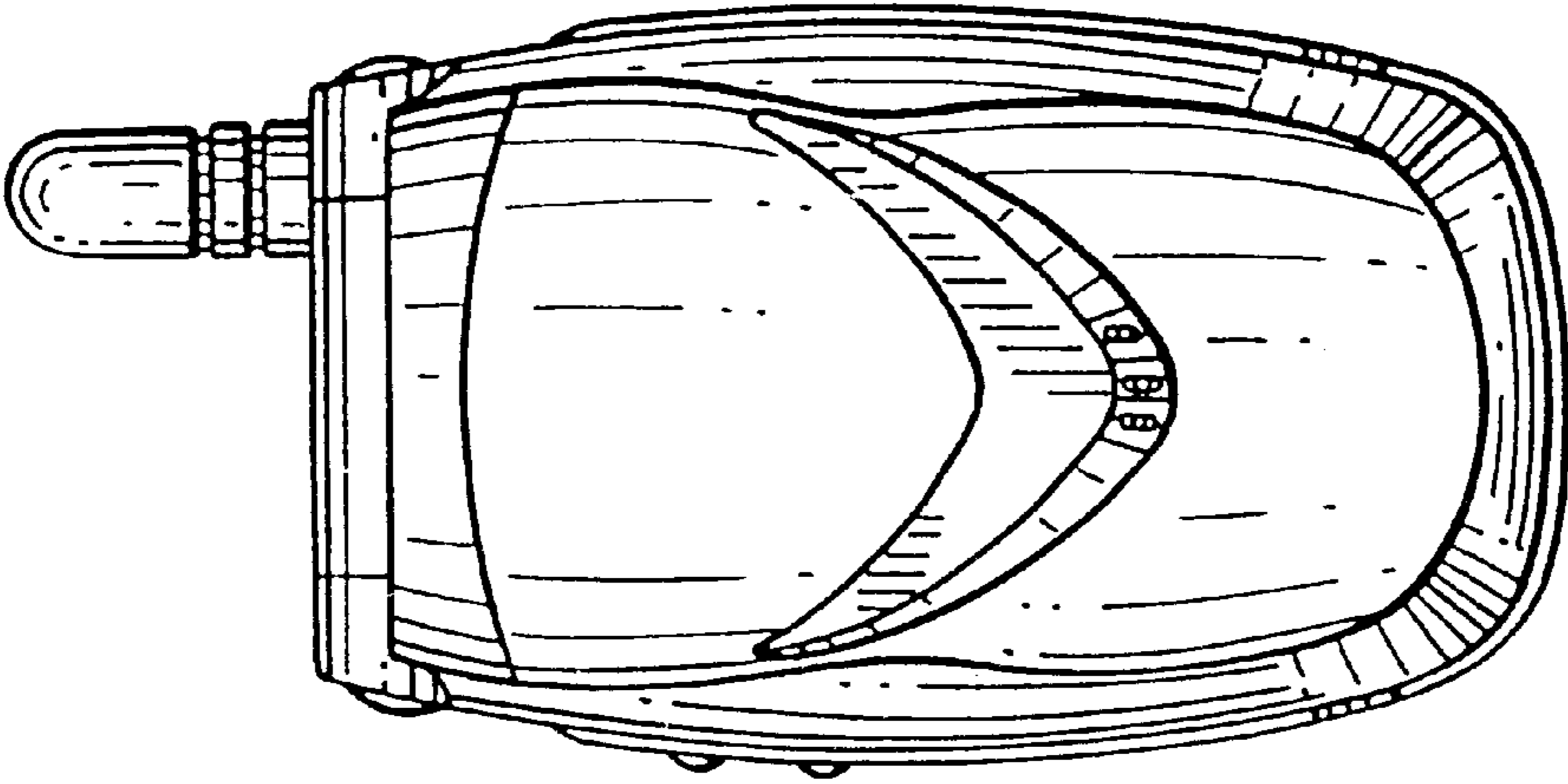


FIG. 1

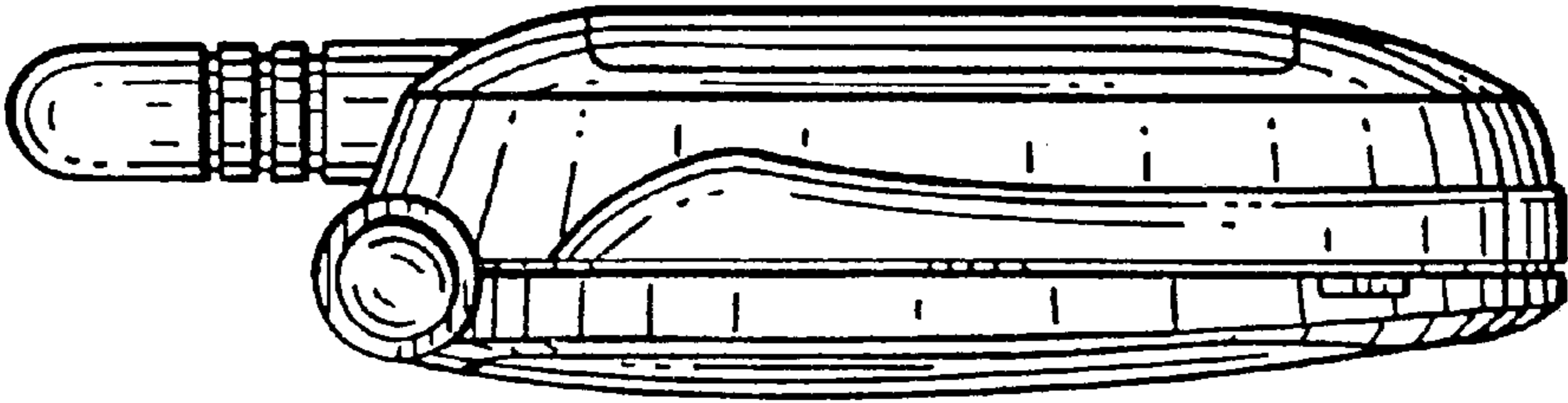


FIG. 2

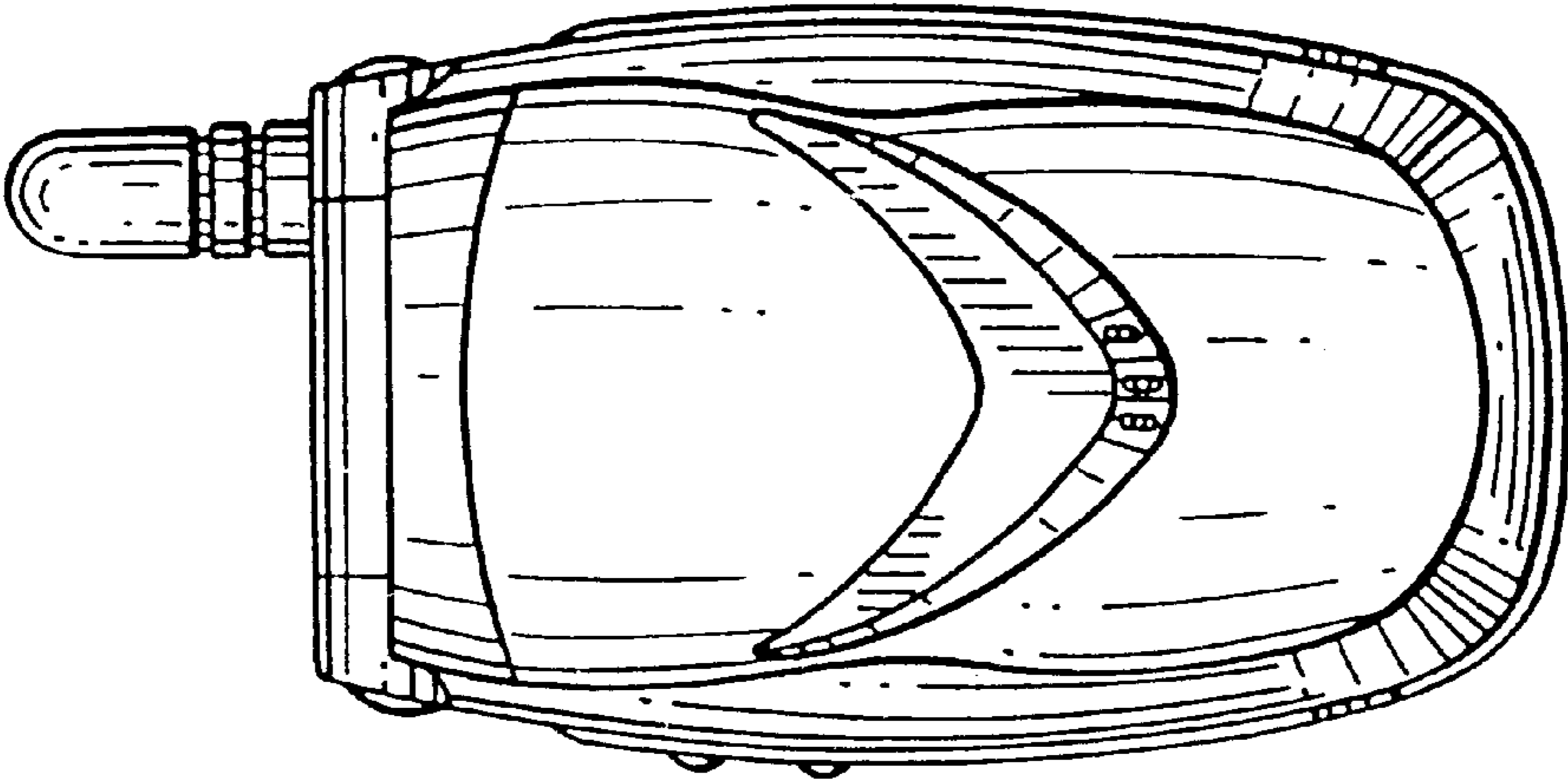


FIG. 3

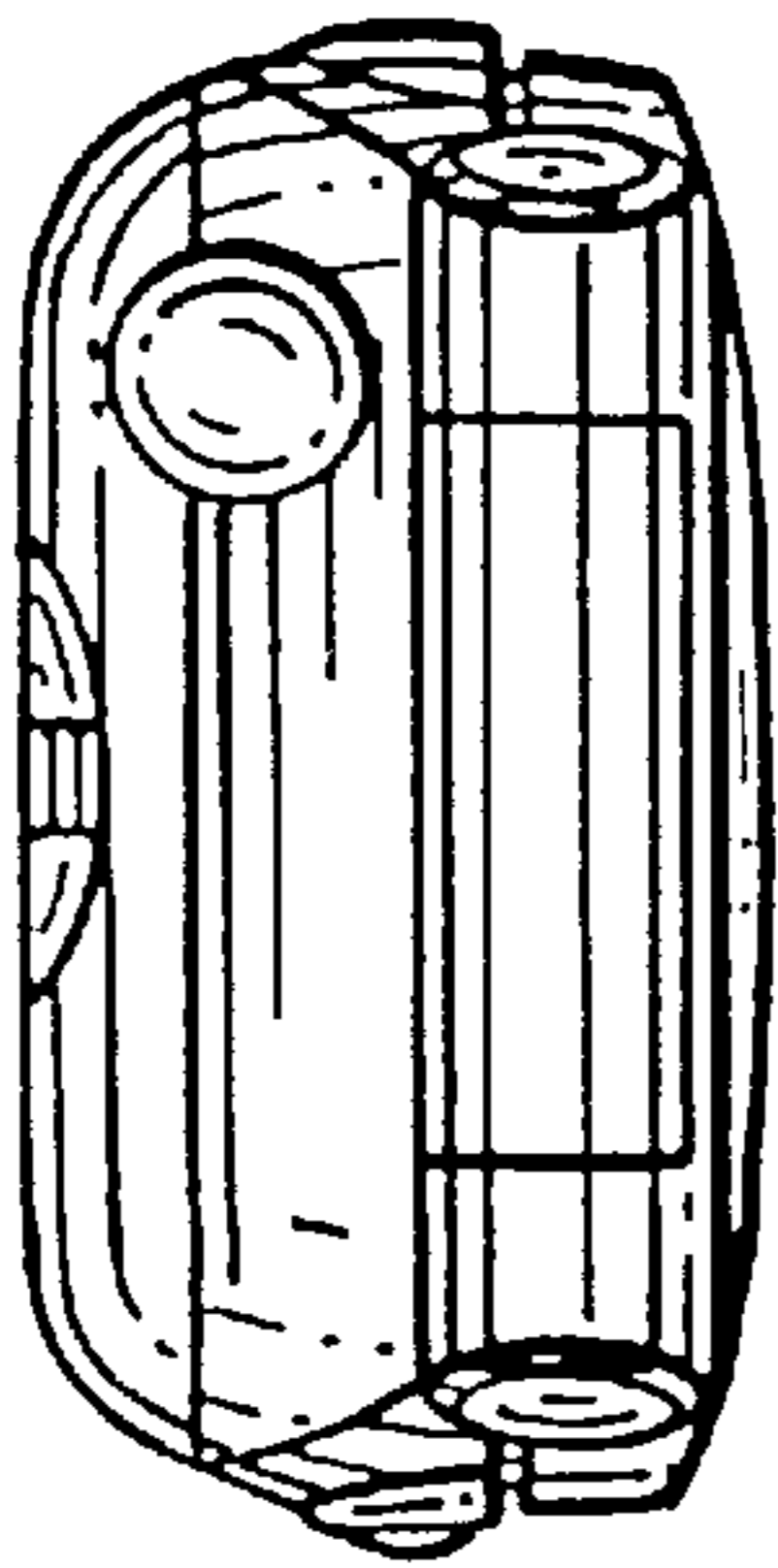


FIG. 4

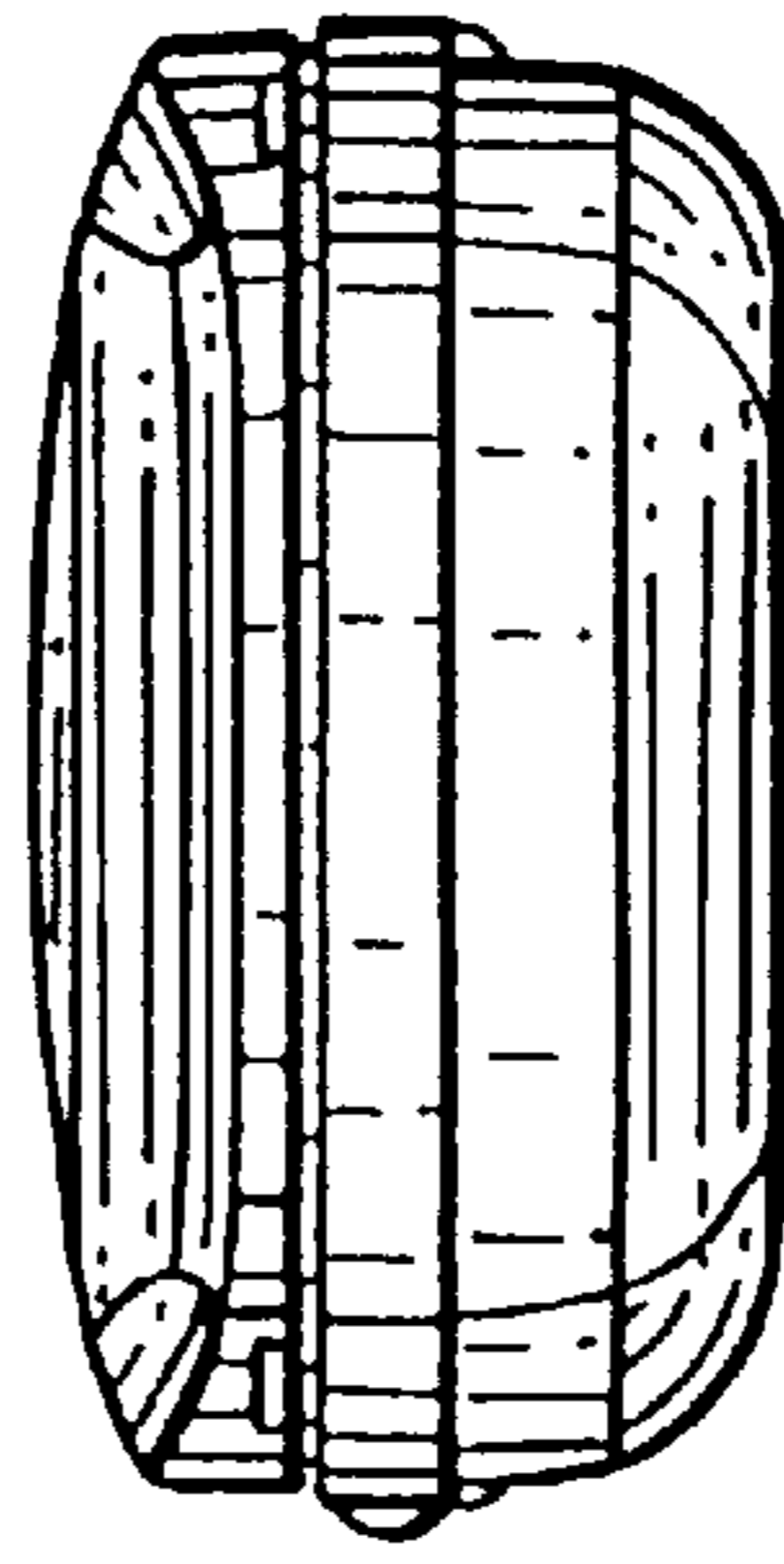


FIG. 7

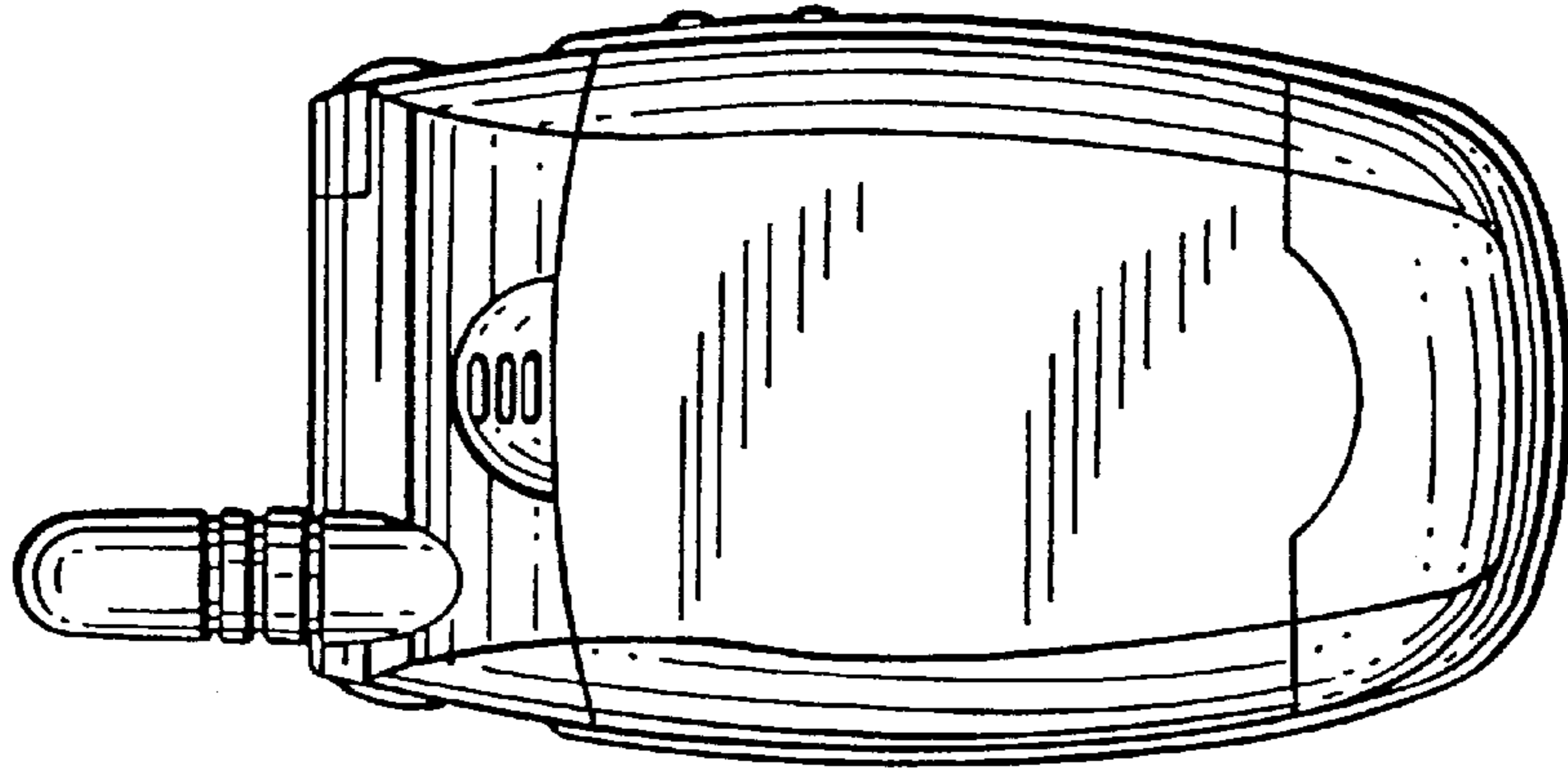


FIG. 5

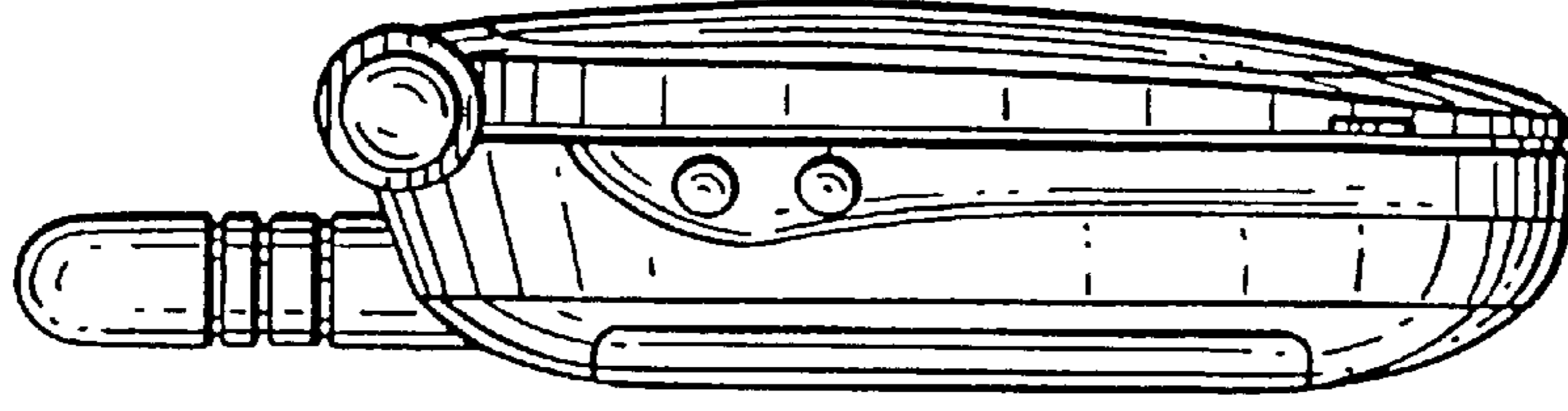


FIG. 6

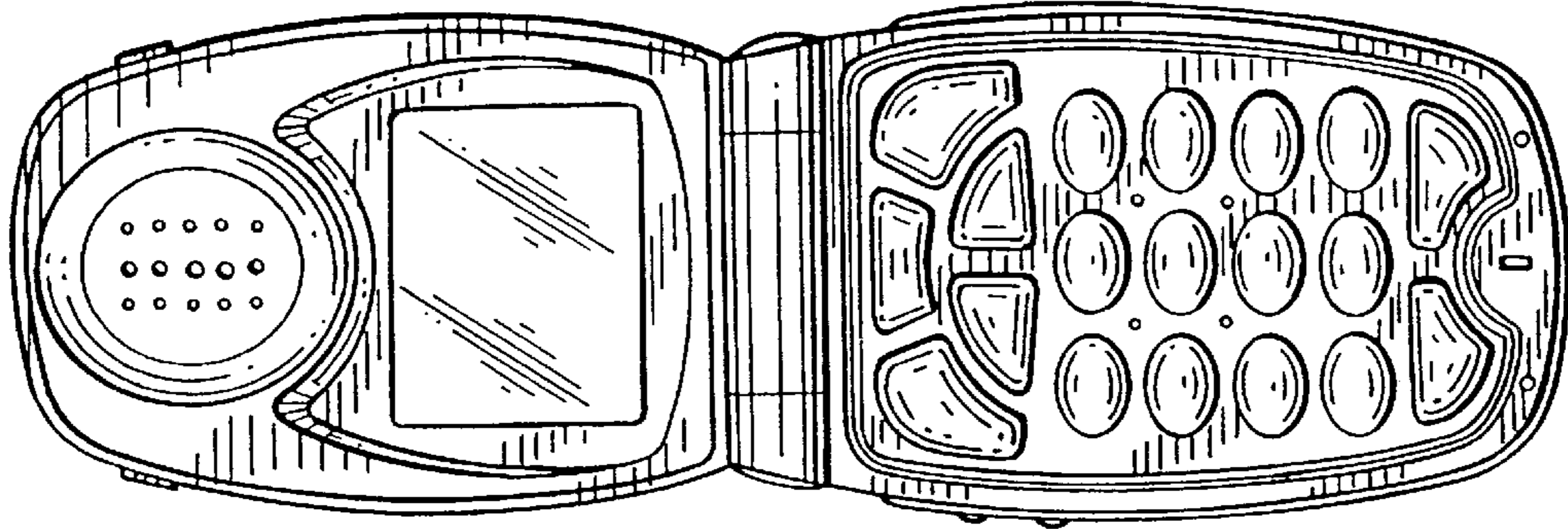


FIG. 10

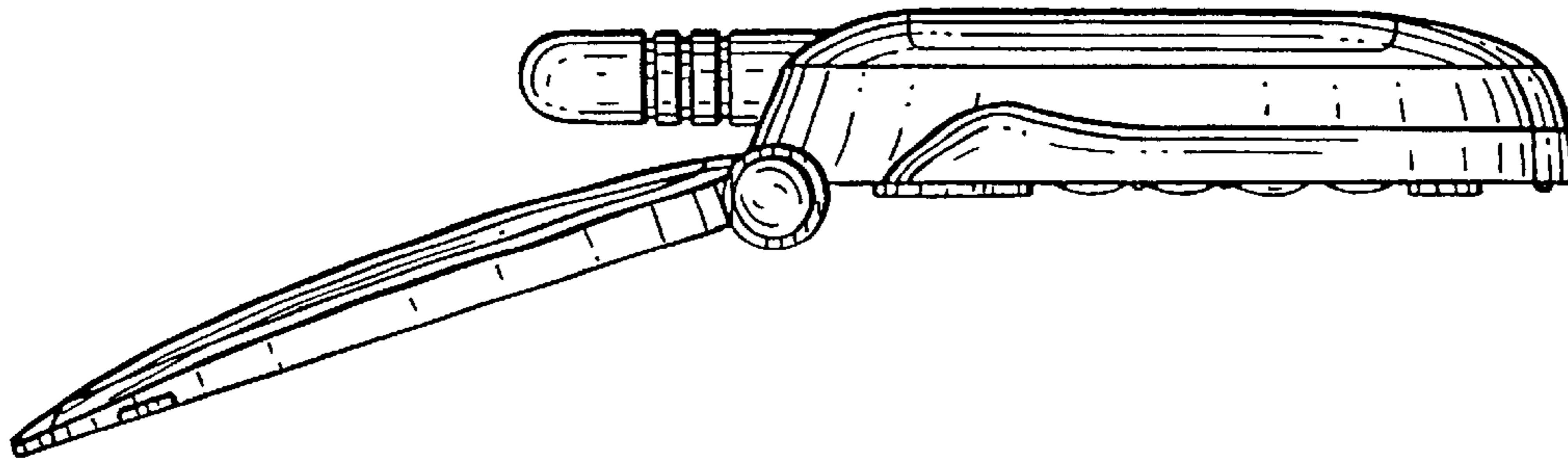


FIG. 9

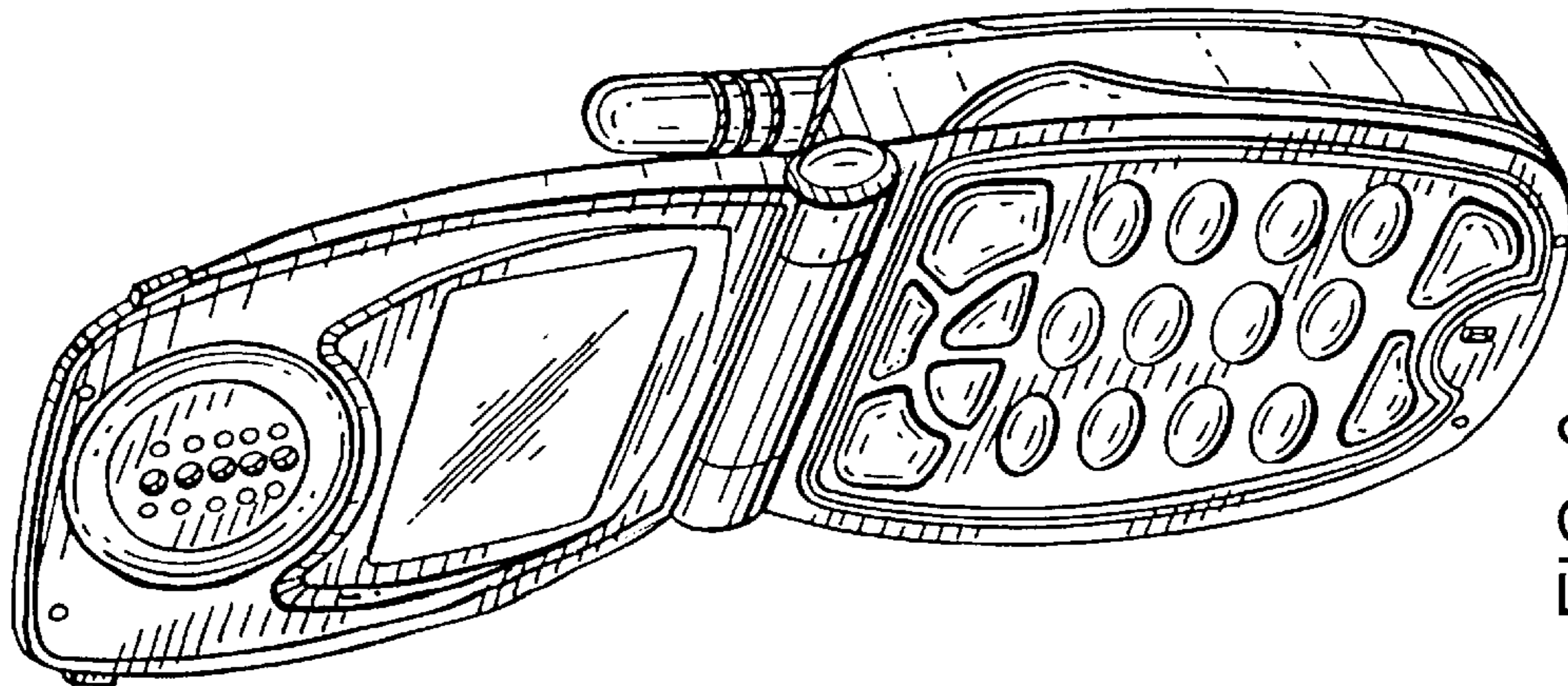


FIG. 8

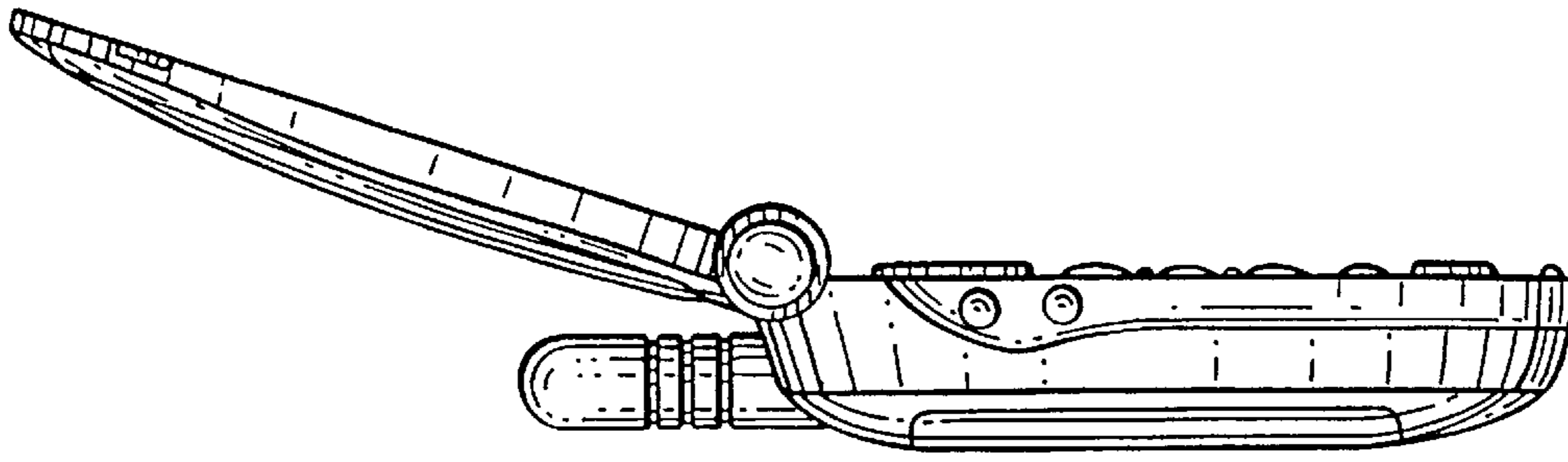


FIG. 13

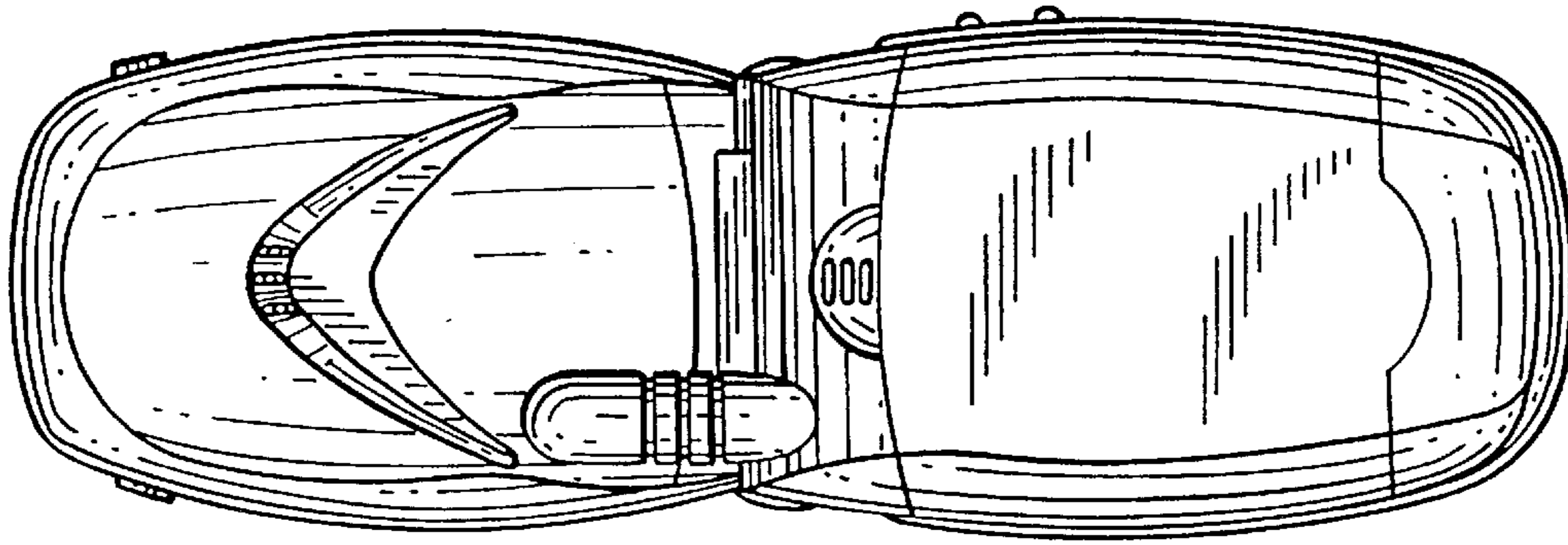


FIG. 12

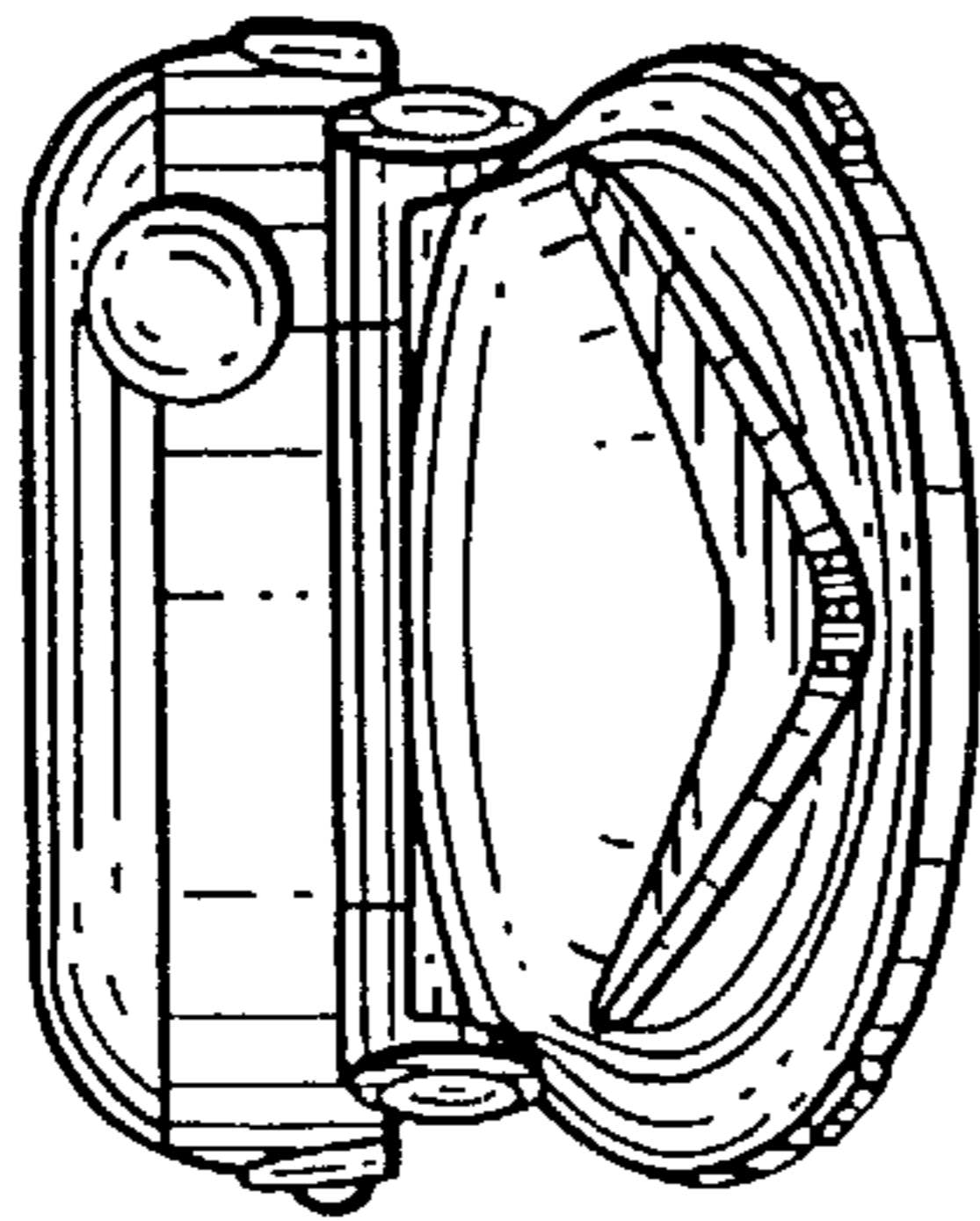


FIG. 11

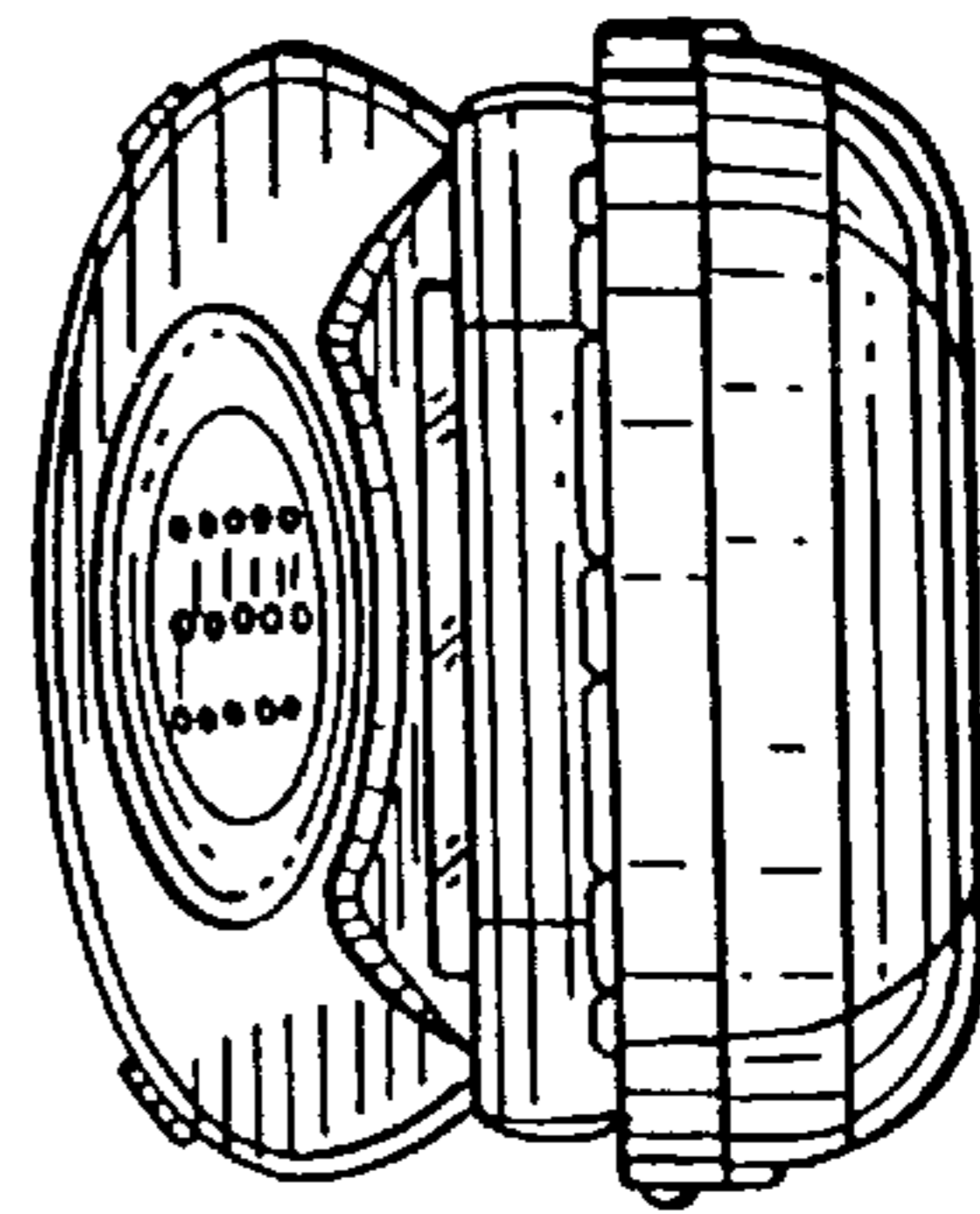


FIG. 14