



US00D419989S

United States Patent [19] Uchiyama

[11] **Patent Number: Des. 419,989**

[45] **Date of Patent: ** Feb. 1, 2000**

[54] **VIDEO TAPE RECORDER/PLAYER**

D. 394,655 5/1998 Niitsu D14/156

[75] Inventor: **Jun Uchiyama**, Tokyo, Japan

Primary Examiner—Philip S. Hyder
Assistant Examiner—Richelle Shelton
Attorney, Agent, or Firm—Foley & Lardner

[73] Assignee: **Sony Corporation**, Tokyo, Japan

[**] Term: **14 Years**

[57] **CLAIM**

[21] Appl. No.: **29/098,371**

The ornamental design for a video tape recorder/player, as shown and described.

[22] Filed: **Dec. 28, 1998**

DESCRIPTION

[51] **LOC (7) Cl.** **14-01**

FIG. 1 is a perspective view of a video tape recorder/player showing my new design;

[52] **U.S. Cl.** **D14/135**

FIG. 2 is a top plan view thereof;

[58] **Field of Search** D14/124, 125,
D14/135, 136, 156, 160, 239; 386/46; 369/75.1

FIG. 3 is a left side elevational view thereof;

FIG. 4 is a front elevational view thereof;

FIG. 5 is a bottom plan view thereof;

FIG. 6 is a right side elevational view thereof; and,

FIG. 7 is a rear elevational view thereof.

[56] **References Cited**

U.S. PATENT DOCUMENTS

D. 377,350 1/1997 Niitsu D14/135

D. 387,755 12/1997 Shintani D14/135

1 Claim, 4 Drawing Sheets

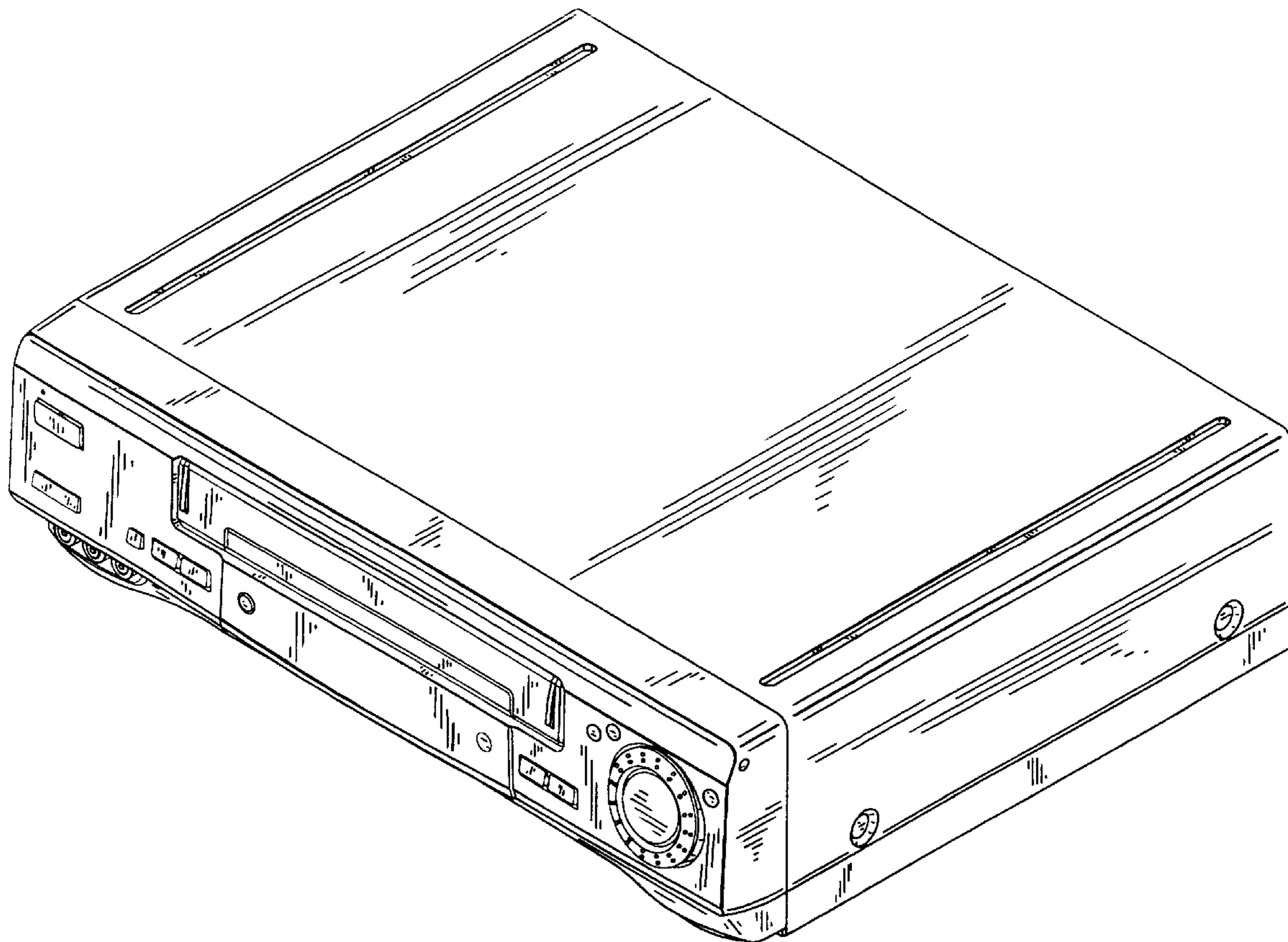


FIG. 1

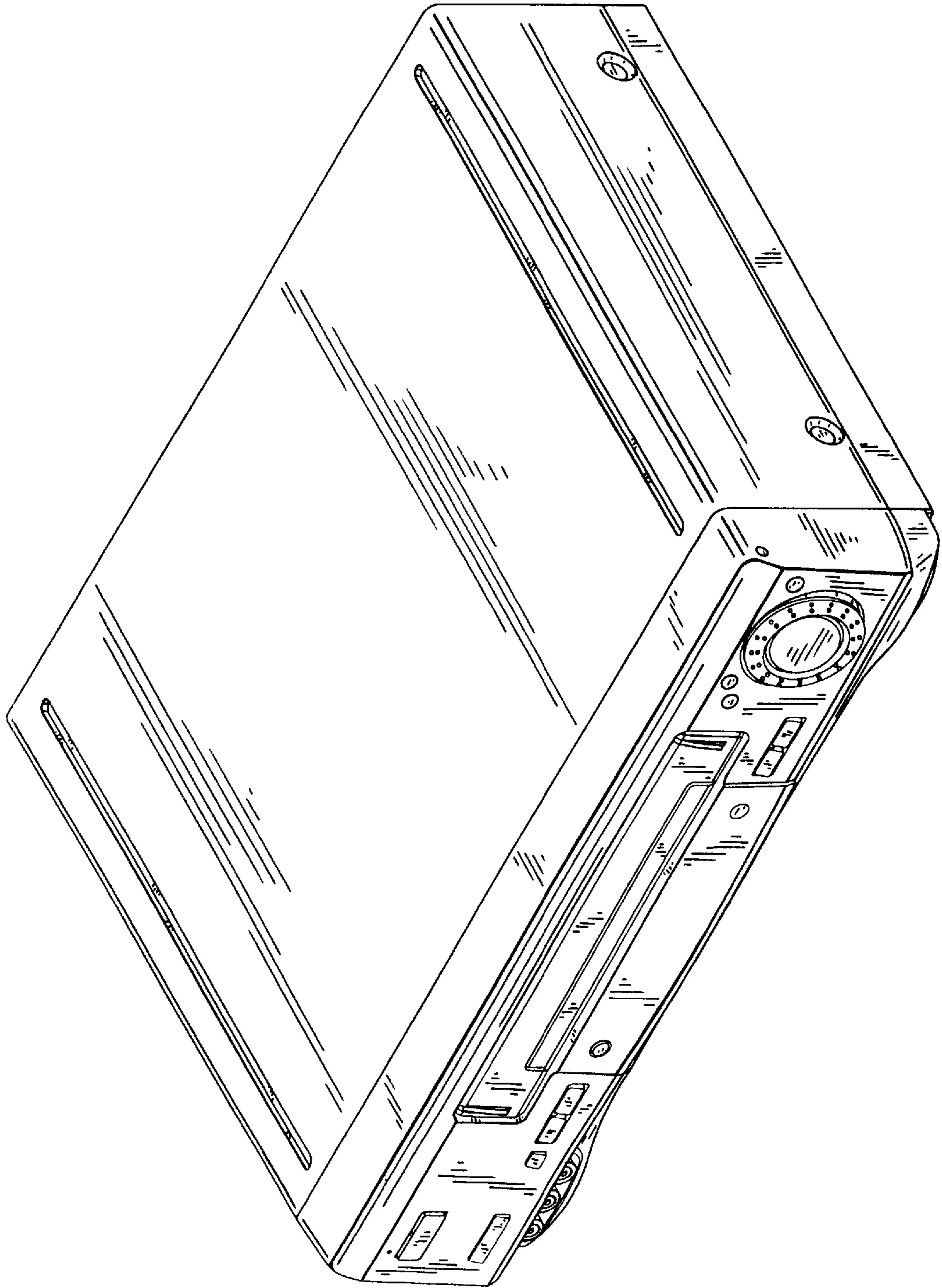


FIG. 5

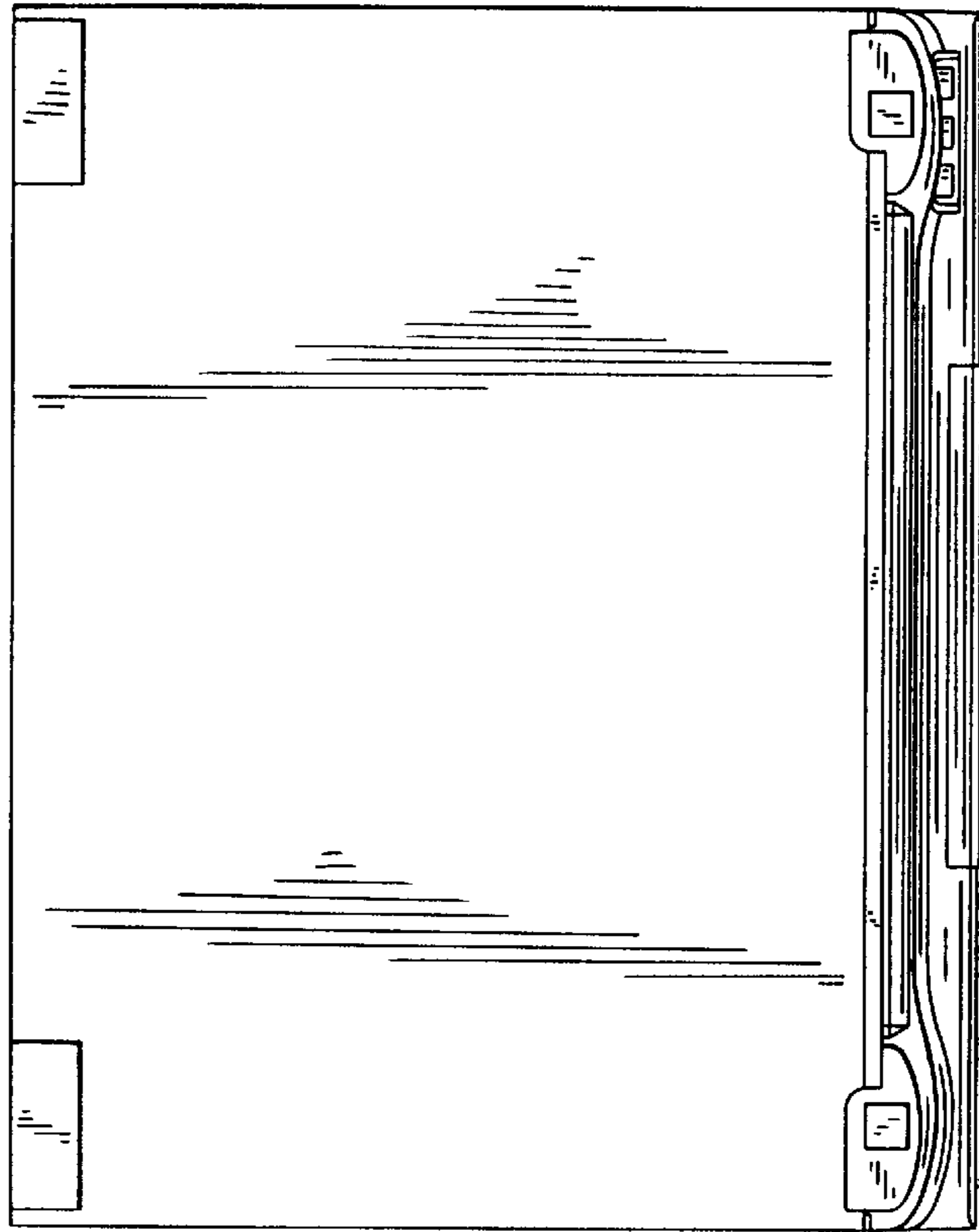


FIG. 2

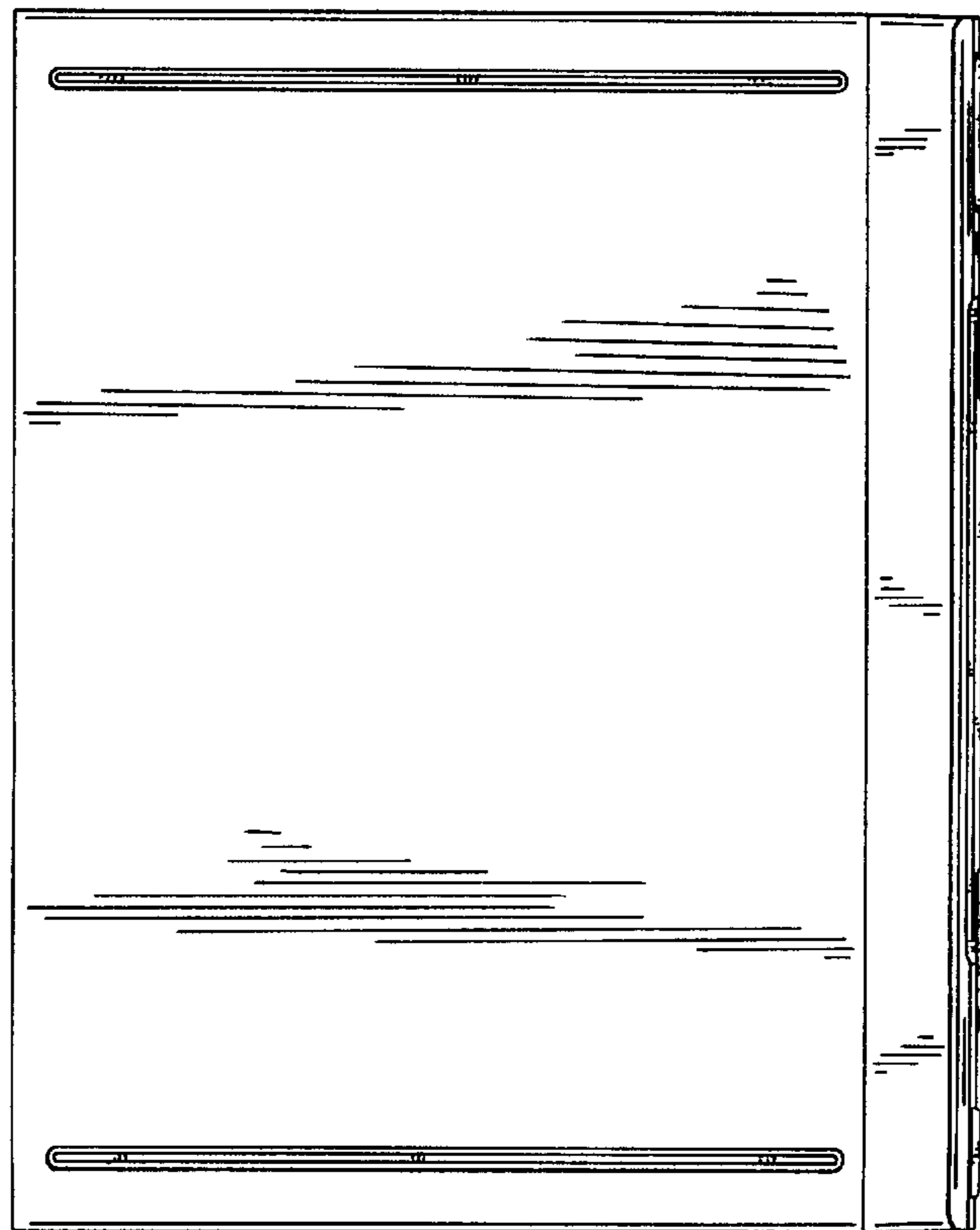


FIG. 6

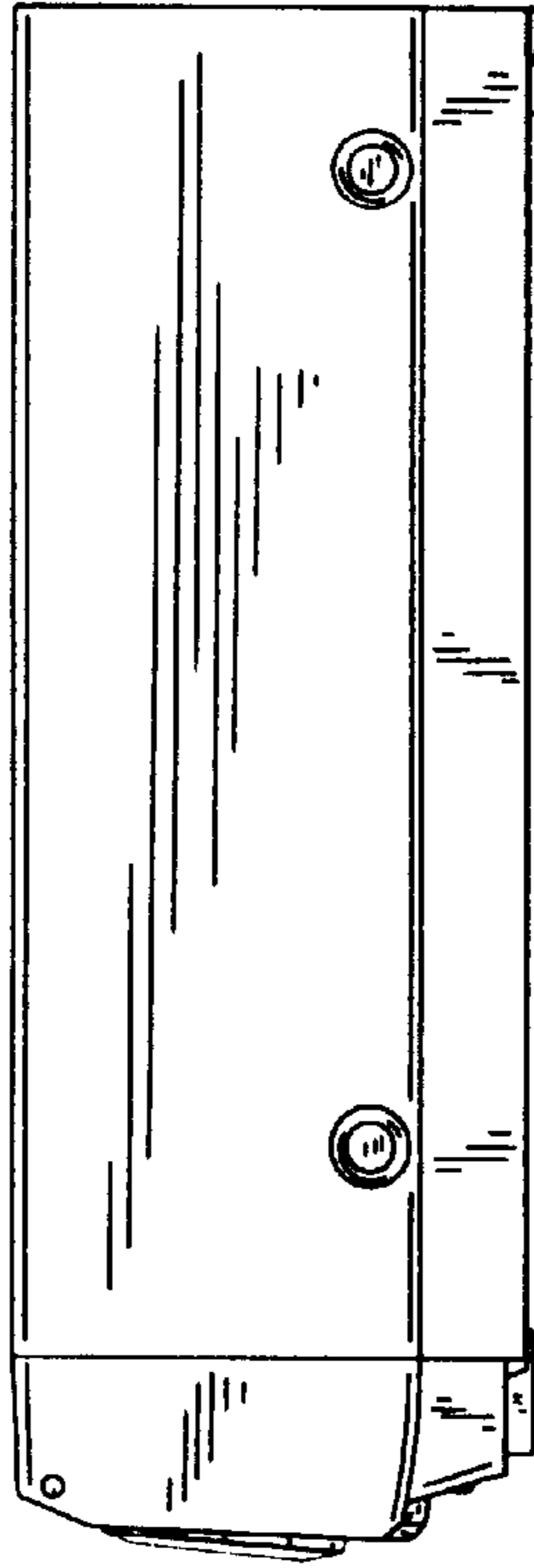


FIG. 3

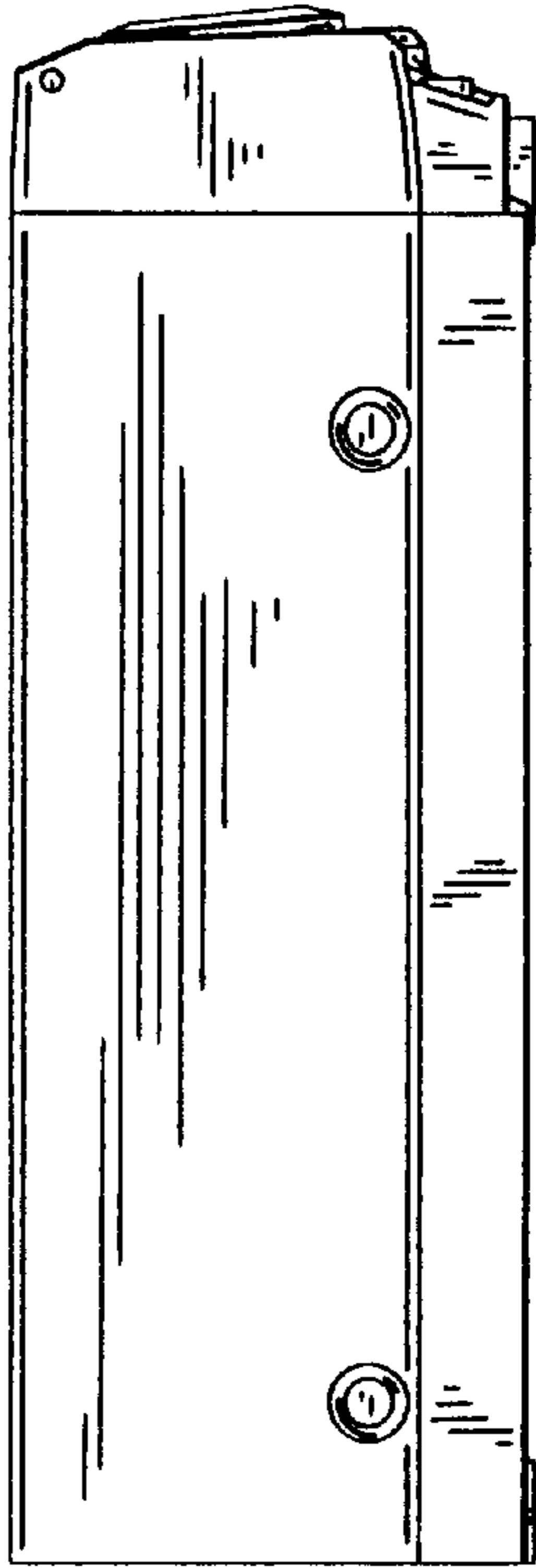


FIG. 7

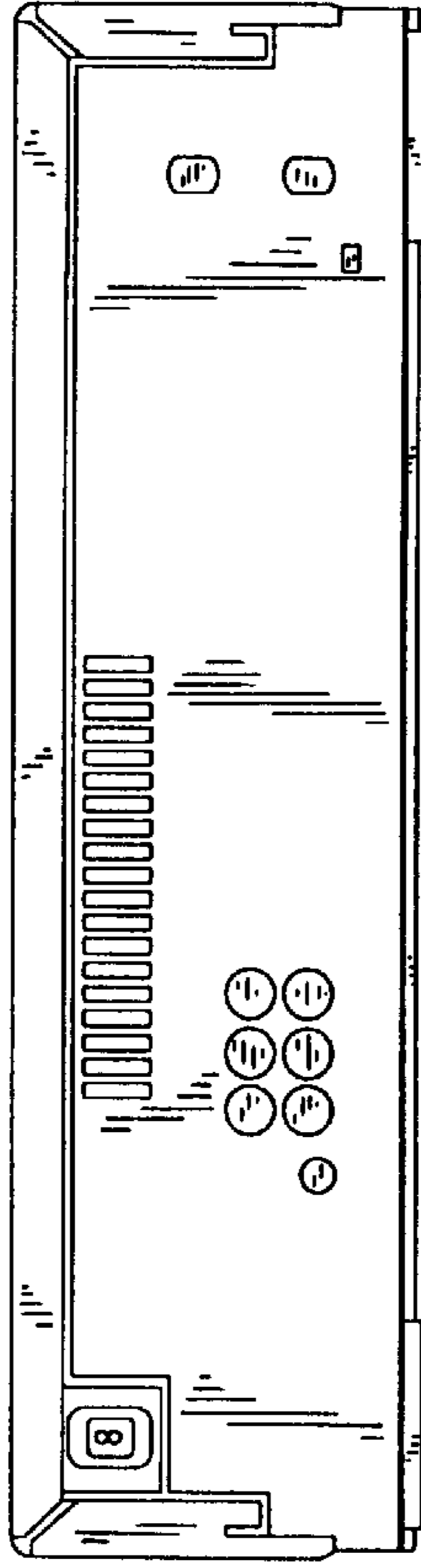


FIG. 4

