



US00D41998S

United States Patent [19]

Brunner et al.

[11] Patent Number: Des. 419,988

[45] Date of Patent: ** Feb. 1, 2000

[54] SET-TOP RECEIVER FOR WIRELESS COMPUTER NETWORK

[75] Inventors: Robert D. Brunner, Los Gatos; Barbara Saucedo, Palo Alto, both of Calif.

[73] Assignee: Sharewave, Inc., El Dorado Hills, Calif.

[**] Term: 14 Years

[21] Appl. No.: 29/091,846

[22] Filed: Aug. 5, 1998

[51] LOC (7) Cl. 14-03

[52] U.S. Cl. D14/125

[58] Field of Search D14/124, 125, D14/107, 217, 239; 348/10, 460, 706, 731; 340/825.03; 455/6.1, 6.2

[56] References Cited

U.S. PATENT DOCUMENTS

D. 368,085	3/1996	Mittal et al.	D14/125
D. 370,667	6/1996	Chen et al.	D14/107
D. 383,456	9/1997	Pierce et al.	D14/125
D. 396,704	8/1998	Chang et al.	D14/107

Primary Examiner—Ted Shooman
Assistant Examiner—Richelle Shelton
Attorney, Agent, or Firm—Blakely, Sokoloff, Taylor & Zafman LLP

[57] CLAIM

The ornamental design for a set-top receiver for wireless computer network, as shown.

DESCRIPTION

FIG. 1 is a perspective view of a set-top receiver for a wireless computer network, showing our new design with the antenna extended;

FIG. 2 is a top plan view thereof with the antenna extended;

FIG. 3 is a top plan view thereof with the antenna down;

FIG. 4 is a left side elevational view thereof with the antenna down, the right side elevational view being substantially a mirror image, the difference being the presence of the button disclosed in FIGS. 1–3 and 5;

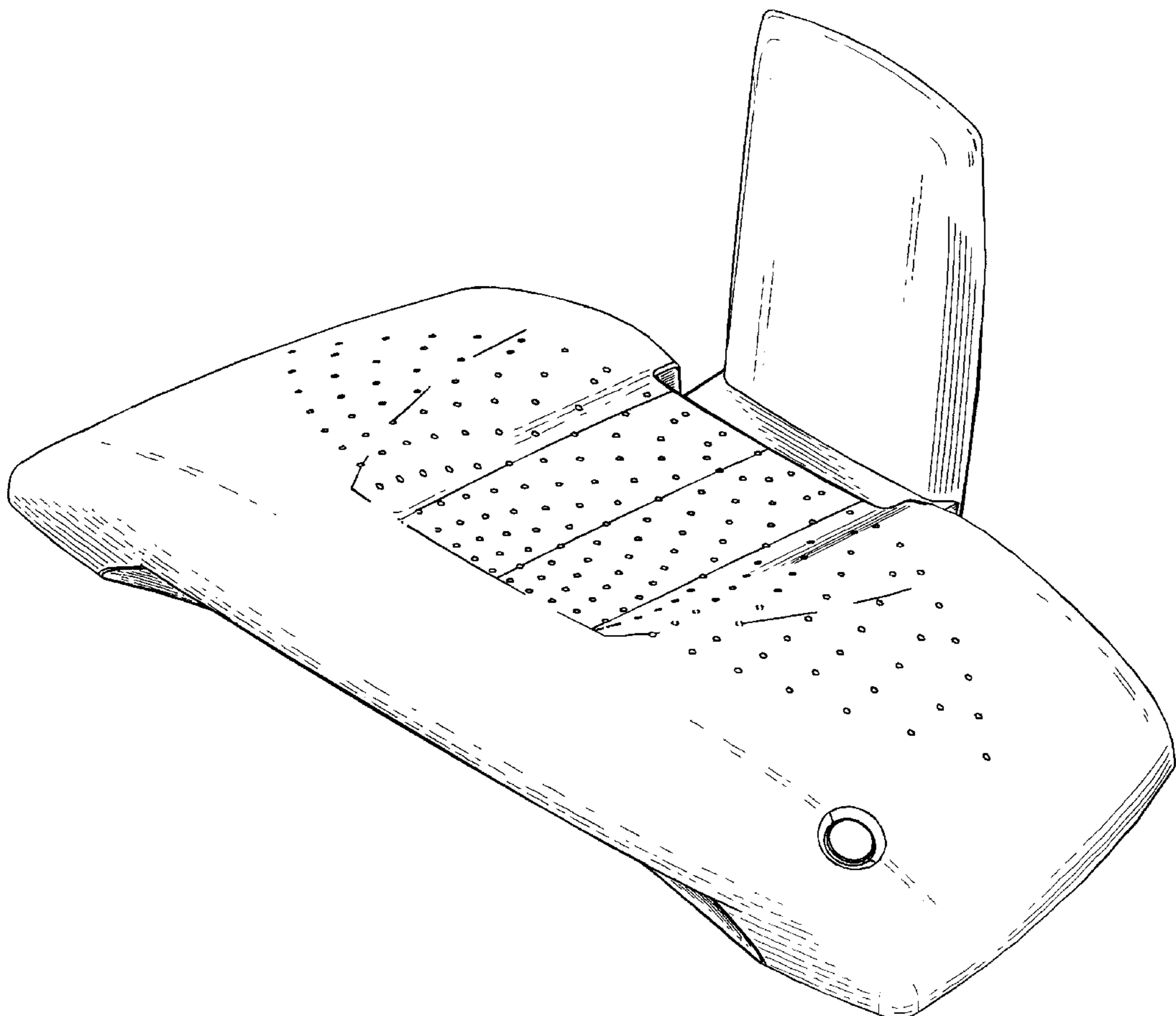
FIG. 5 is a right side elevational view thereof with the antenna extended, the left side elevational view being substantially a mirror image, the difference being the absence of the button;

FIG. 6 is a front elevational view with the antenna extended;

FIG. 7 is a rear elevational view with the antenna extended; and,

FIG. 8 is a bottom plan view thereof.

1 Claim, 7 Drawing Sheets



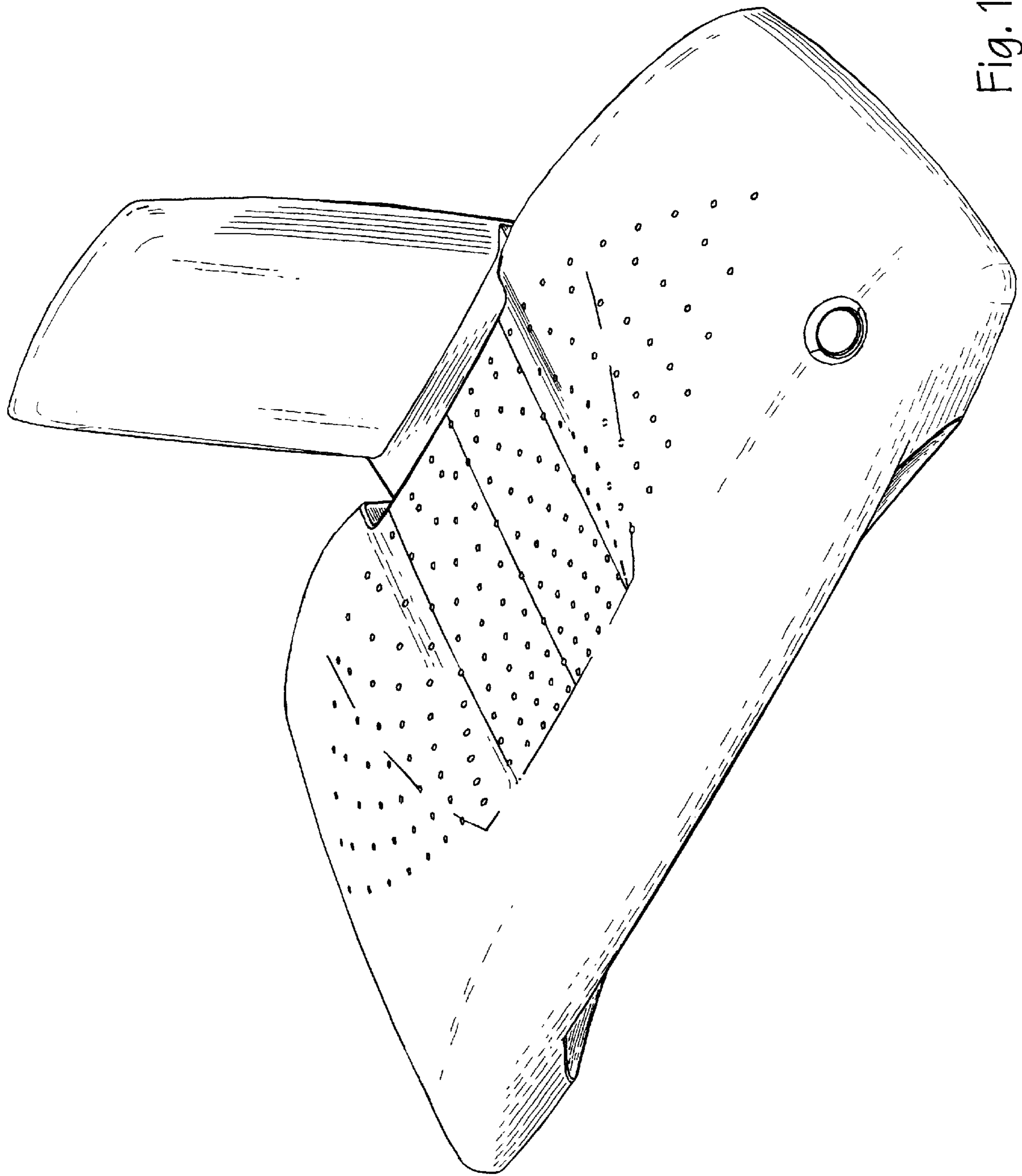


Fig. 1

Fig. 2

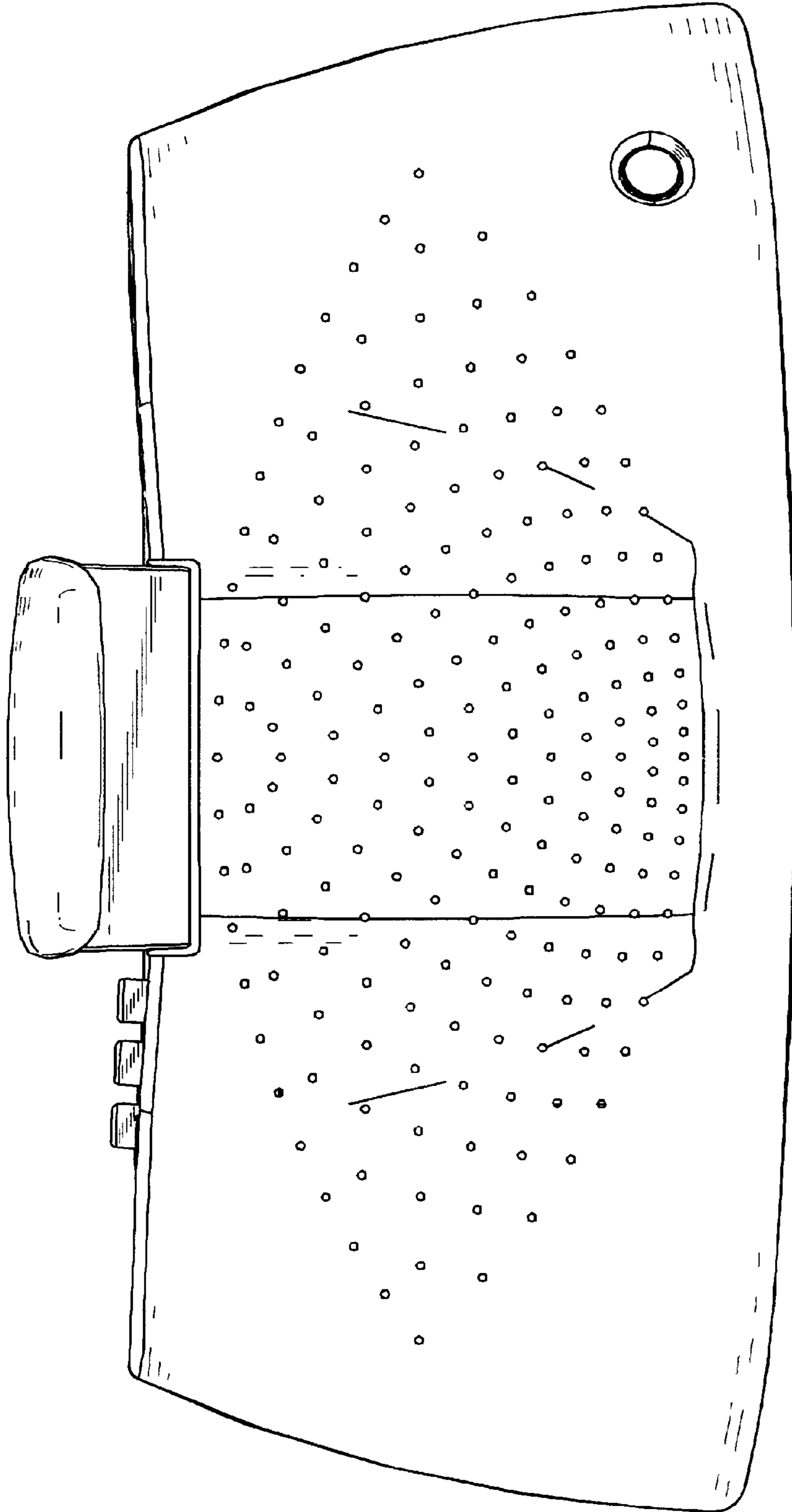
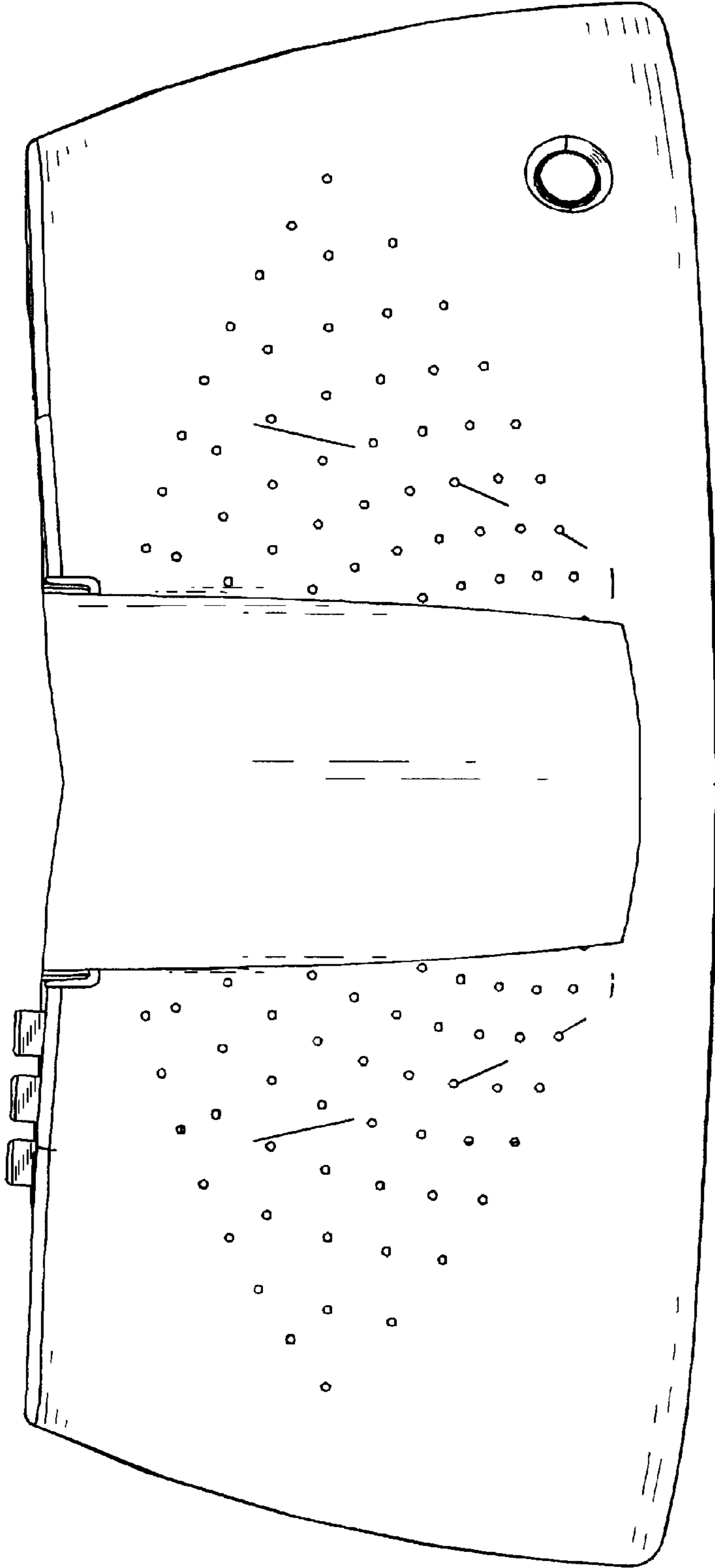


Fig. 3



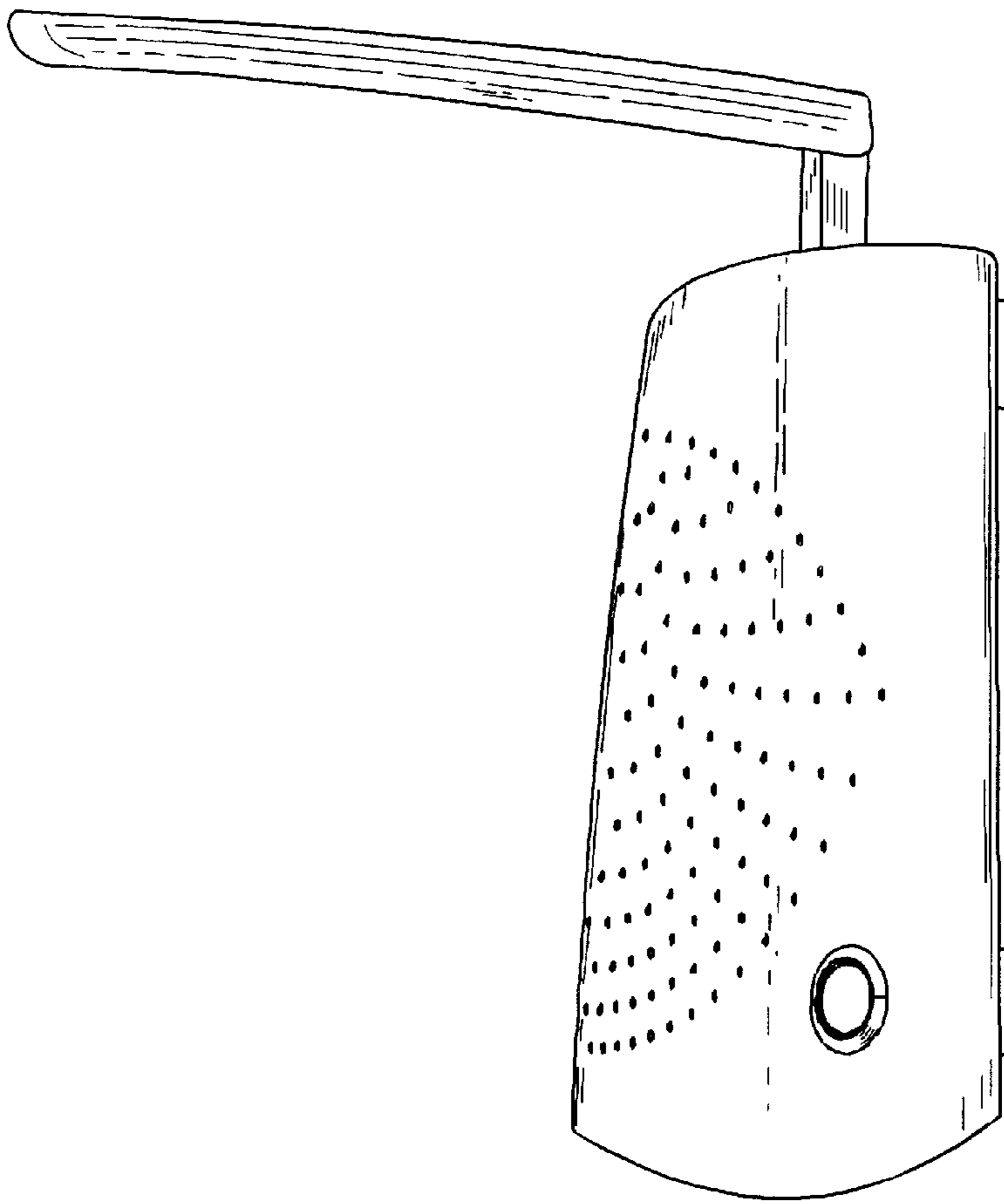


Fig. 5

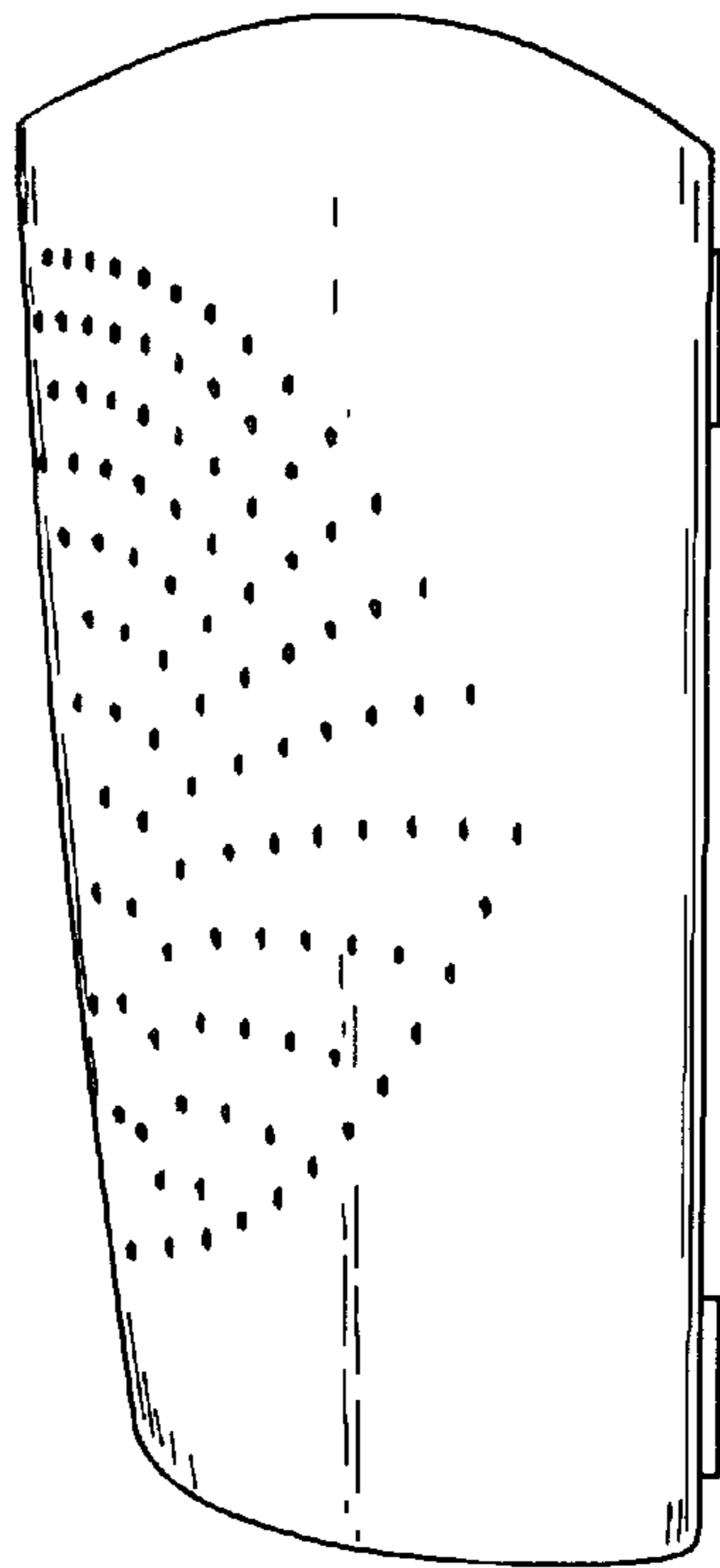


Fig. 4

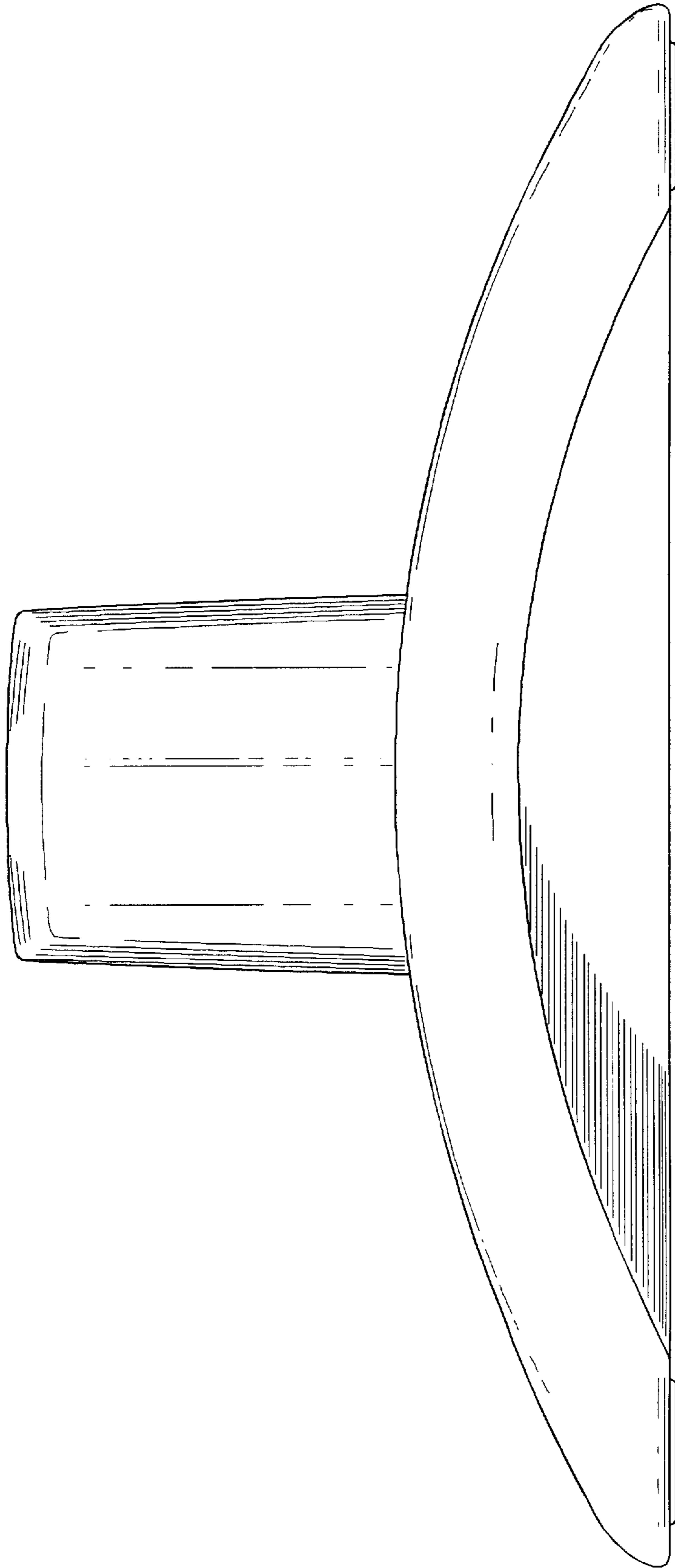


Fig. 6

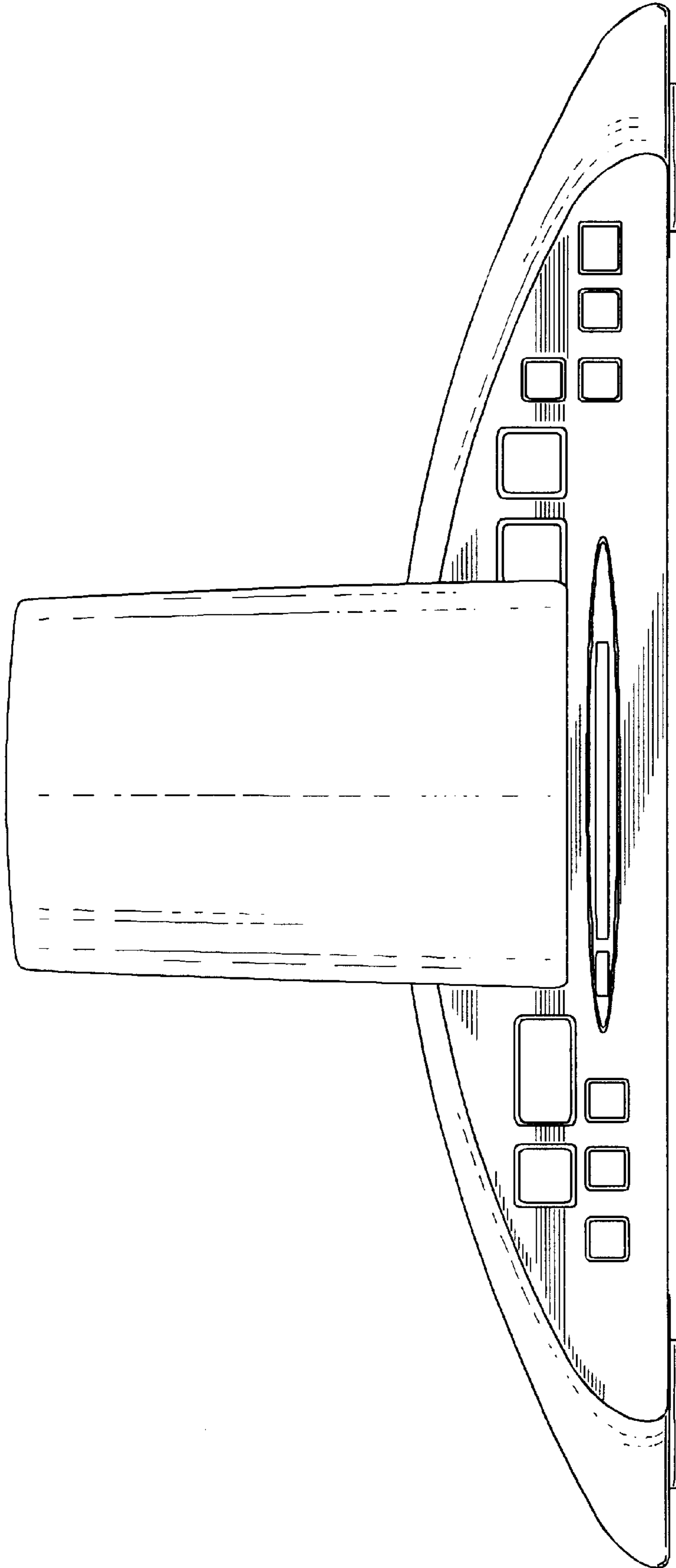


Fig. 7

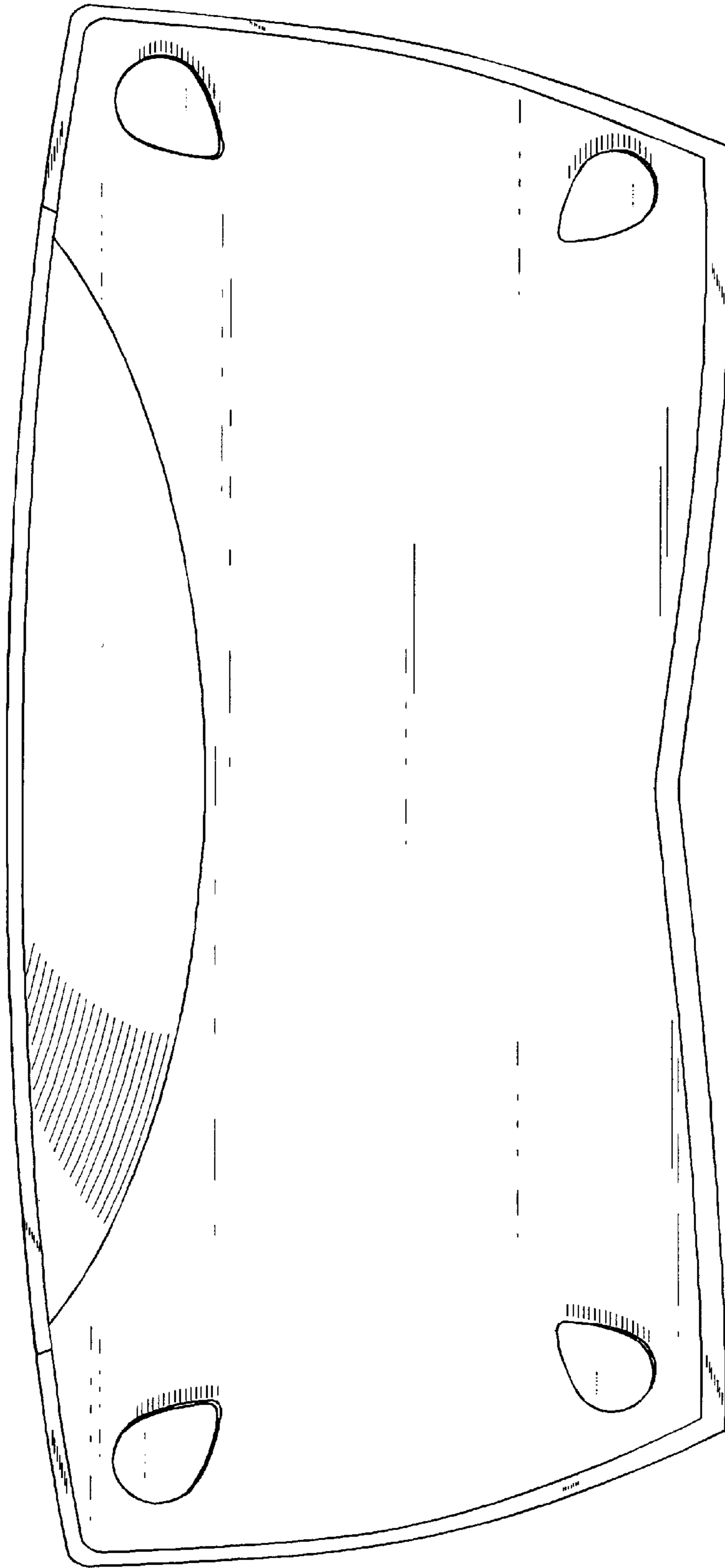


Fig. 8