



US00D419980S

**United States Patent** [19]  
**Swansey**

[11] **Patent Number: Des. 419,980**

[45] **Date of Patent: \*\* Feb. 1, 2000**

[54] **COMPUTER MOUSE**

[75] Inventor: **John David Swansey**, Durham, N.C.

[73] Assignee: **International Business Machines Corporation**, Armonk, N.Y.

[\*\*] Term: **14 Years**

[21] Appl. No.: **29/102,778**

[22] Filed: **Mar. 31, 1999**

[51] **LOC (7) Cl.** ..... **14-02**

[52] **U.S. Cl.** ..... **D14/114**

[58] **Field of Search** ..... D14/114; D13/158;  
D21/324-33; 200/5 R, 5 A, 6 R, 6 A; 273/148 B;  
345/156-67; 74/471 XY; 463/36-39

[56] **References Cited**

**U.S. PATENT DOCUMENTS**

- D. 330,706 11/1992 San-Yih .
- D. 335,875 5/1993 Chen .
- D. 336,900 6/1993 Pfeifer .
- D. 340,924 11/1993 Tso .
- D. 348,451 7/1994 Tso .
- D. 349,493 8/1994 Cheng .
- D. 354,746 1/1995 Colani et al. .
- D. 369,593 5/1996 Ma .
- D. 371,771 7/1996 Verstockt .
- D. 372,904 8/1996 Lo ..... D14/114
- D. 373,122 8/1996 Lo .
- D. 373,760 9/1996 Willheim .
- D. 381,014 7/1997 Kraus et al. .... D14/114

- D. 381,971 8/1997 Wu .
- D. 385,861 11/1997 Lin .
- D. 385,863 11/1997 Tseng .
- D. 386,483 11/1997 Cheng .
- D. 387,749 12/1997 Diaz .
- D. 405,072 2/1999 Tso ..... D14/114
- D. 411,189 6/1999 Liao et al. .... D14/114
- D. 411,190 6/1999 McMahon et al. .... D14/114
- D. 411,837 7/1999 Sheehan ..... D14/114

*Primary Examiner*—M. H. Tung  
*Attorney, Agent, or Firm*—Bernard D. Bogdon

[57] **CLAIM**

The ornamental design for a computer mouse, as shown and described.

**DESCRIPTION**

FIG. 1 is a perspective view of the computer mouse of the present invention;  
 FIG. 2 is a front view of the computer mouse of the present invention;  
 FIG. 3 is a rear view of the computer mouse of the present invention;  
 FIG. 4 is a top side view of the computer mouse of the present invention;  
 FIG. 5 is a bottom view of the computer mouse of the present invention;  
 FIG. 6 is a left-side view of the computer mouse of the present invention; and,  
 FIG. 7 is a right-side view of the computer mouse of the present invention.

**1 Claim, 5 Drawing Sheets**

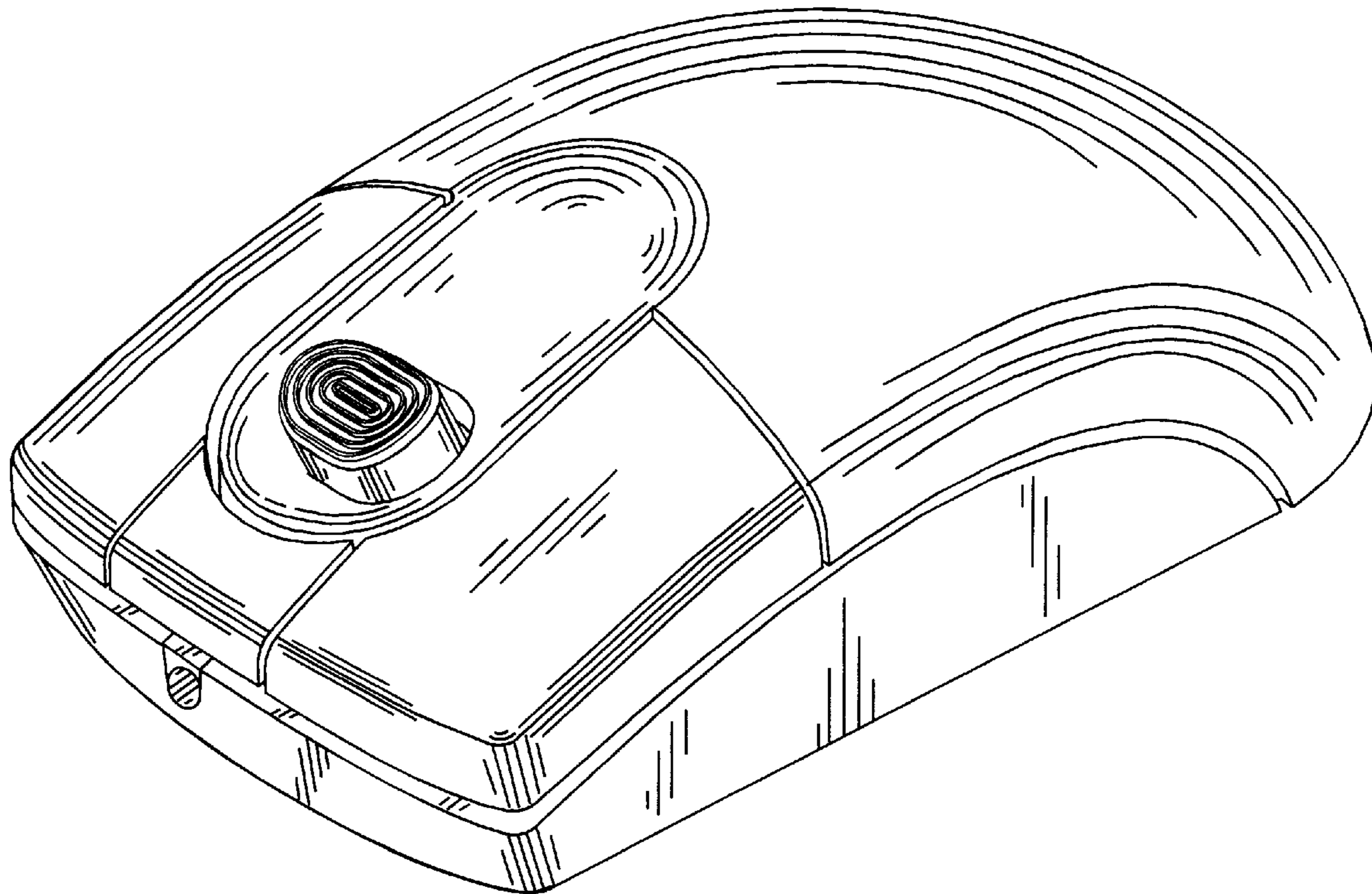


FIG. 1

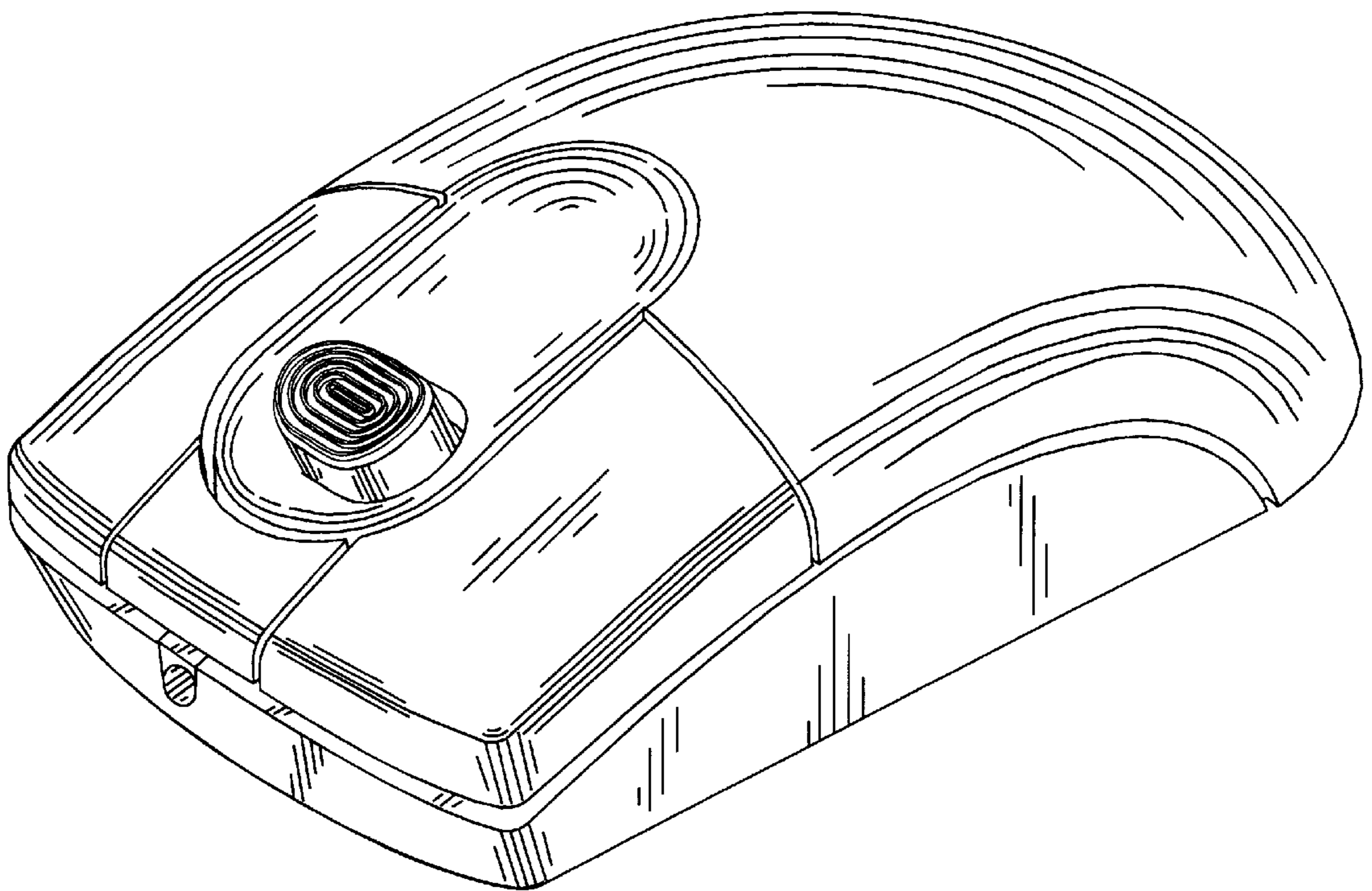


FIG. 2

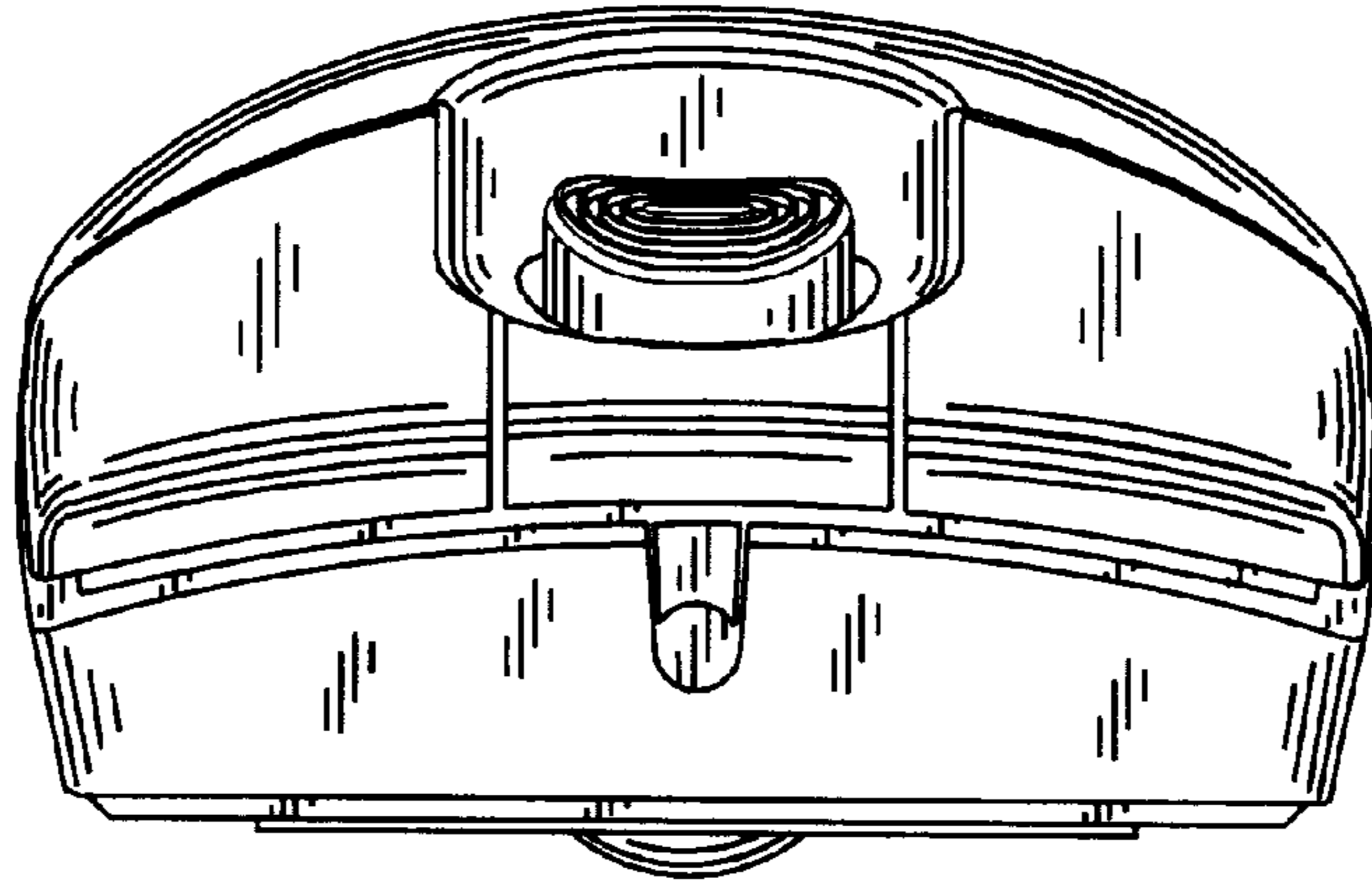


FIG. 3

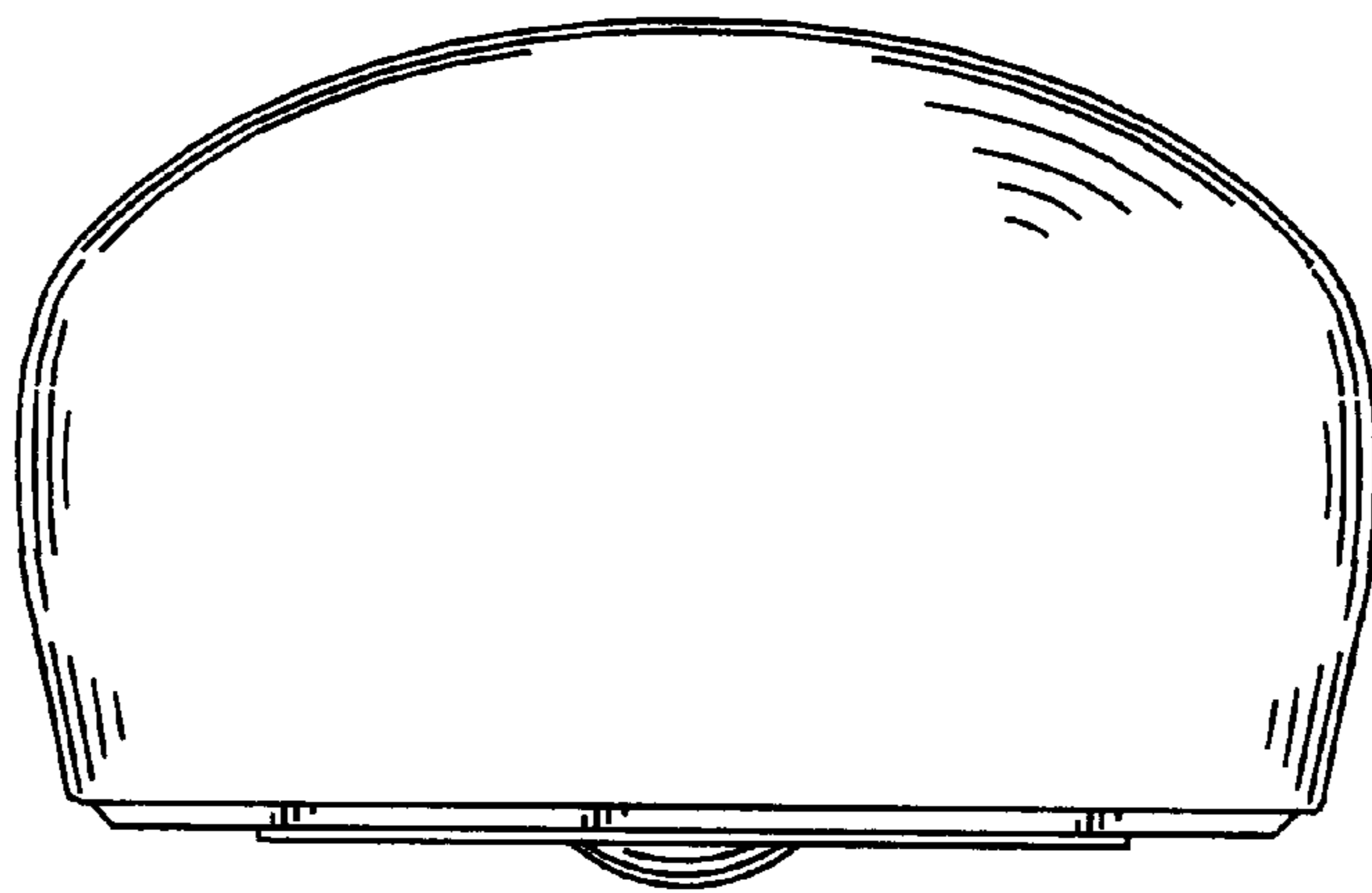


FIG. 4

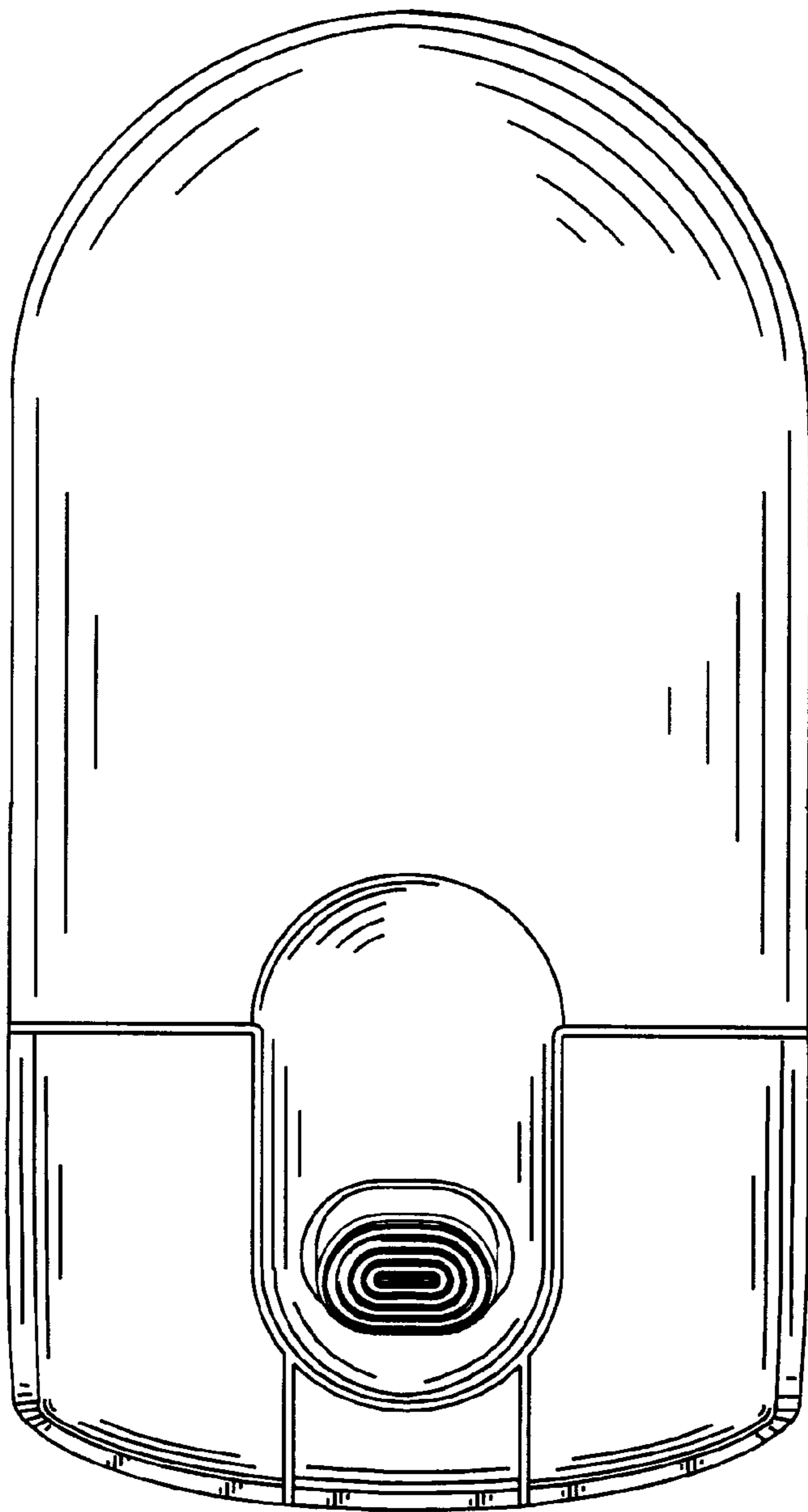


FIG. 5

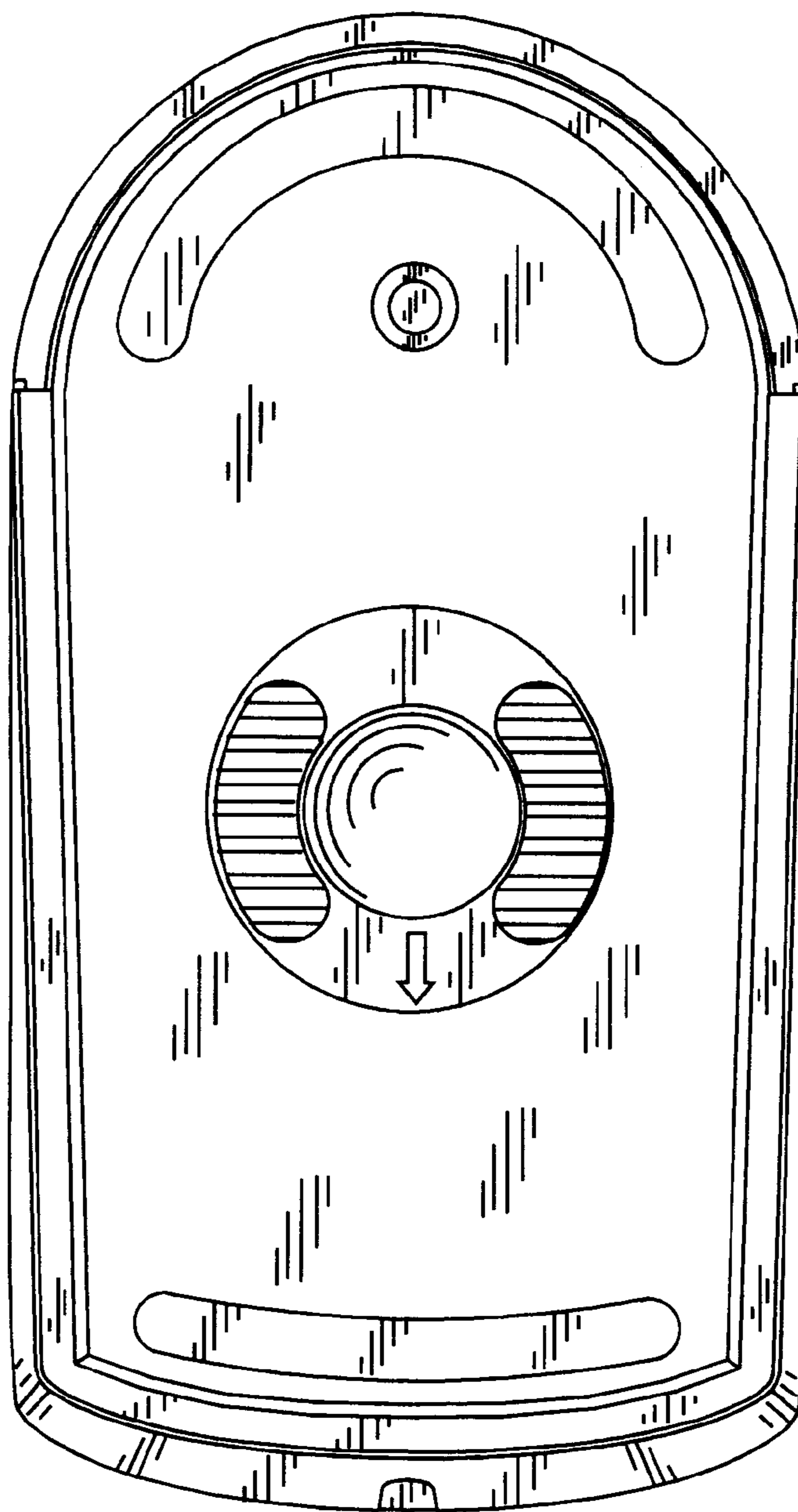




FIG. 6

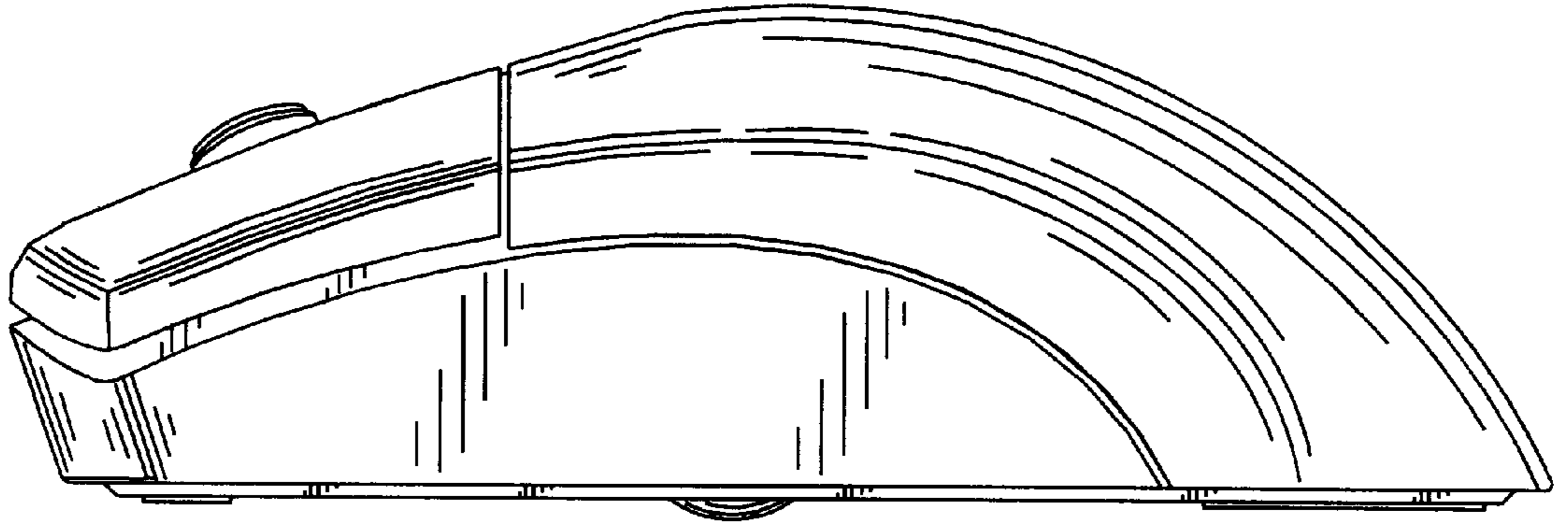


FIG. 7

