



US00D419979S

United States Patent [19]

Lu et al.

[11] Patent Number: **Des. 419,979**

[45] Date of Patent: **** Feb. 1, 2000**

[54] **COMPUTER COOLING DEVICE**
[75] Inventors: **Chun-Hsin Lu; Pao-Lung Lin**, both of Taipei; **Nien-Tien Cheng**, Tao-Yuan, all of Taiwan

5,208,731	5/1993	Blomquist	361/386
5,276,585	1/1994	Smithers	361/704
5,369,301	11/1994	Hayashi et al.	257/722
5,421,406	6/1995	Furusawa et al.	165/185
5,486,981	1/1996	Blomquist	361/704

[73] Assignee: **Hon Hai Precision Ind. Co., Ltd.**, Taipei Hsien, Taiwan

Primary Examiner—Kay H. Chin
Attorney, Agent, or Firm—Wei Te Chung

[**] Term: **14 Years**

[57] **CLAIM**

[21] Appl. No.: **29/098,376**

The ornamental design for a computer cooling device, as shown.

[22] Filed: **Dec. 28, 1998**

DESCRIPTION

[30] **Foreign Application Priority Data**

Oct. 9, 1998 [TW] Taiwan 87307327

FIG. 1 is a front-right-top perspective view of a computer cooling device showing my new design;
FIG. 2 is a front elevational view thereof;
FIG. 3 is a rear elevational view thereof;
FIG. 4 is a left side elevational view thereof;
FIG. 5 is a right side elevational view thereof;
FIG. 6 is a top plan view thereof; and,
FIG. 7 is a bottom plan view thereof.

[51] **LOC (7) Cl.** **14-02**

[52] **U.S. Cl.** **D14/114**

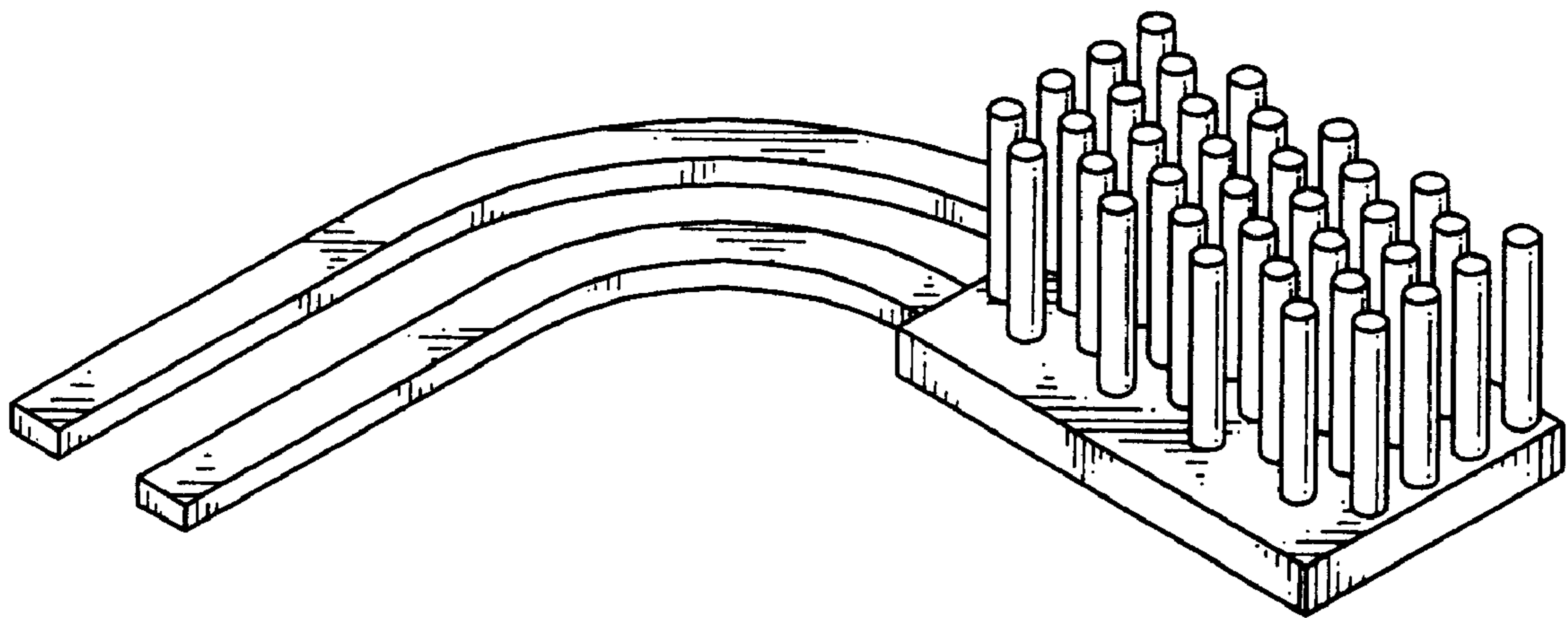
[58] **Field of Search** D14/114; D23/314, D23/386, 365; 165/185, 133; 361/704; 174/16.3; 257/721, 722

[56] **References Cited**

U.S. PATENT DOCUMENTS

D. 398,295 9/1998 Chang D14/114

1 Claim, 2 Drawing Sheets



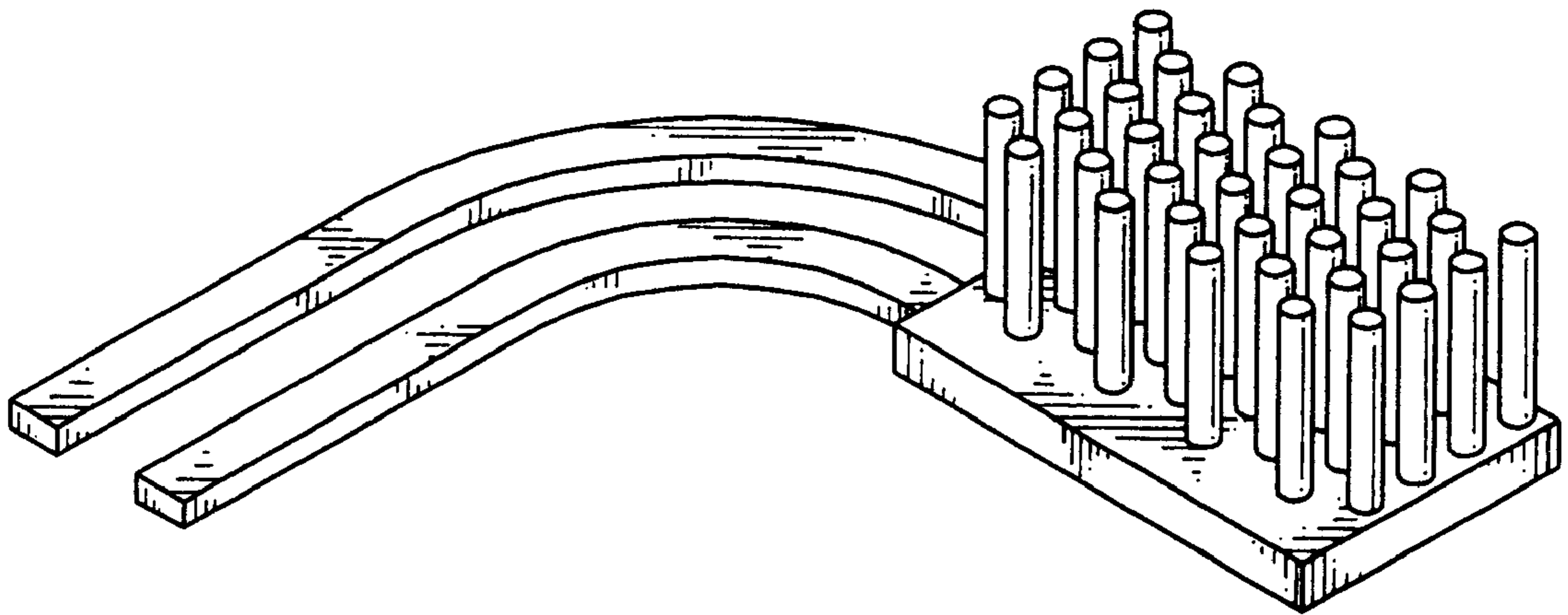


FIG. 1

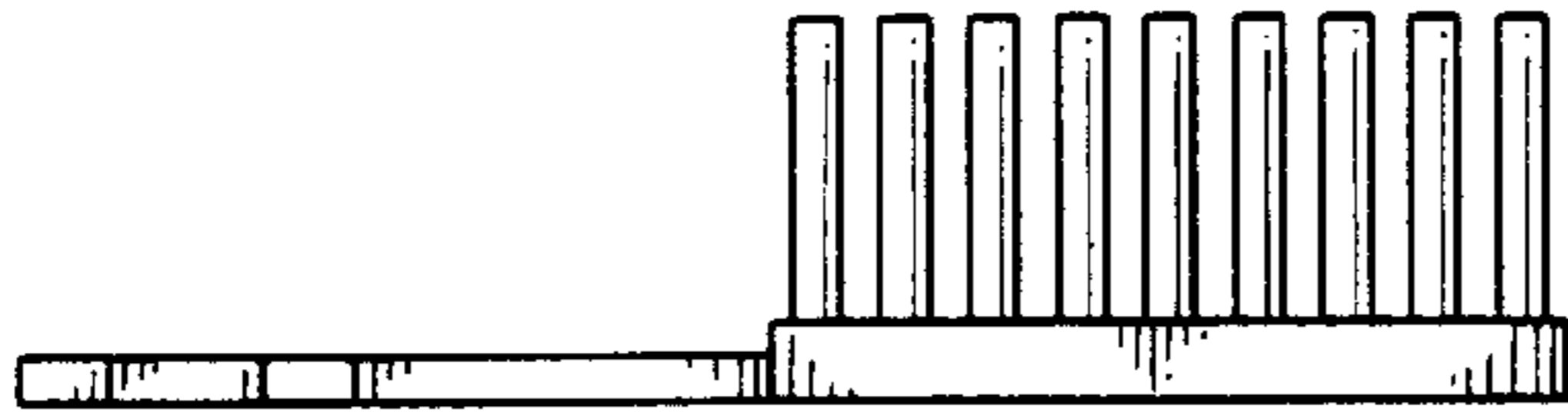


FIG. 2

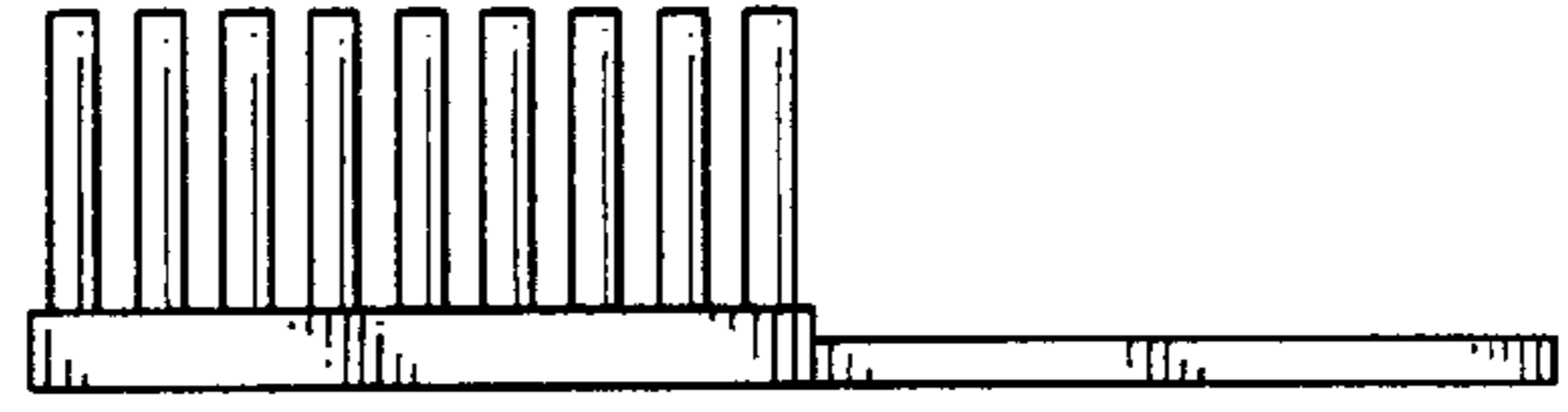


FIG. 3



FIG. 4

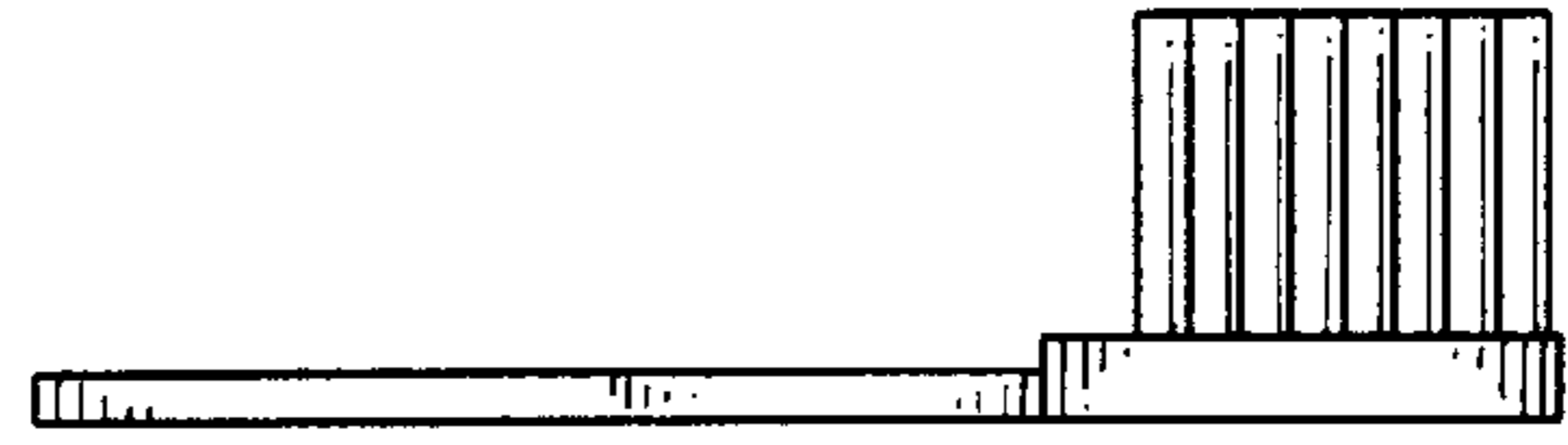


FIG. 5

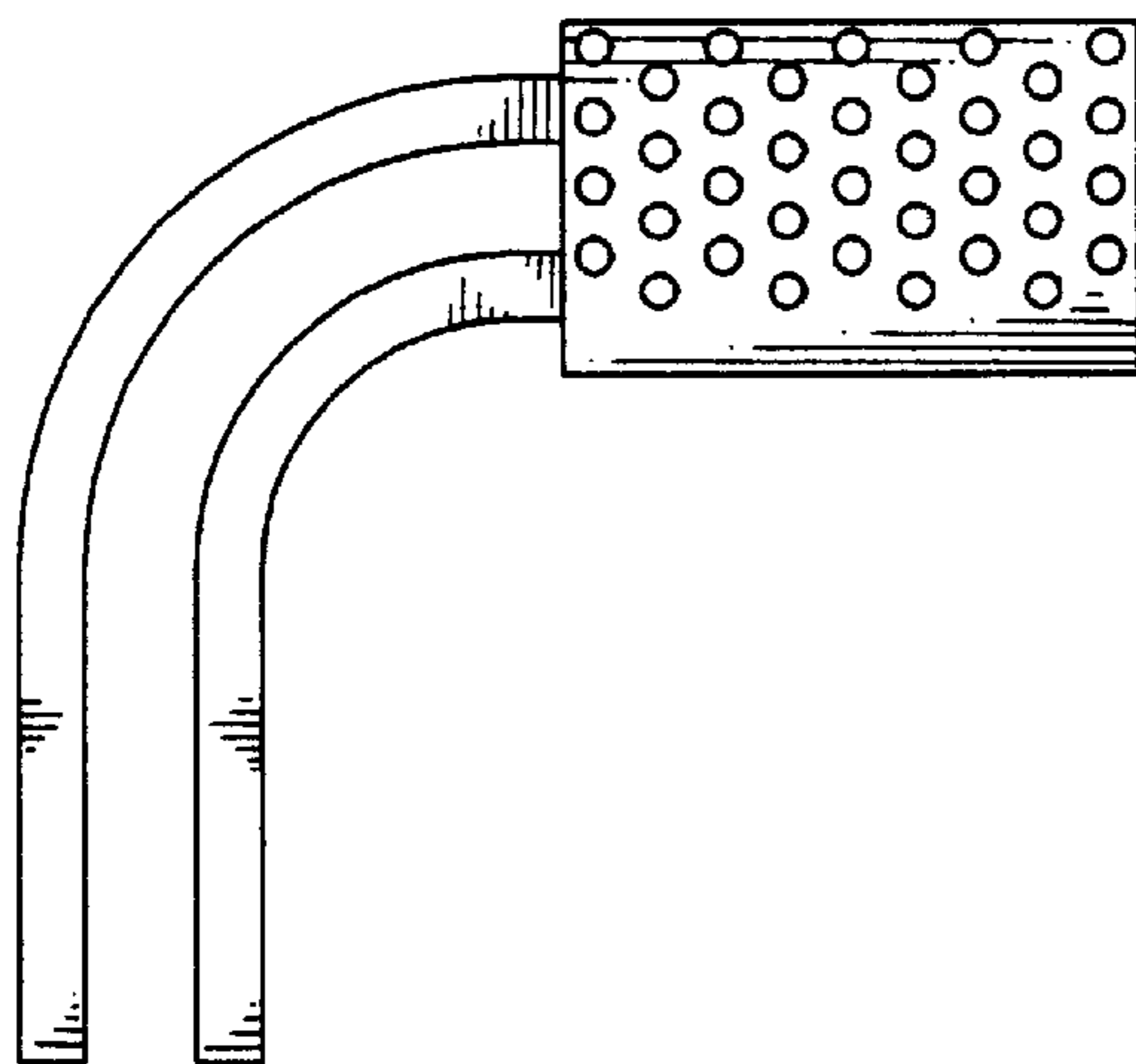


FIG. 6

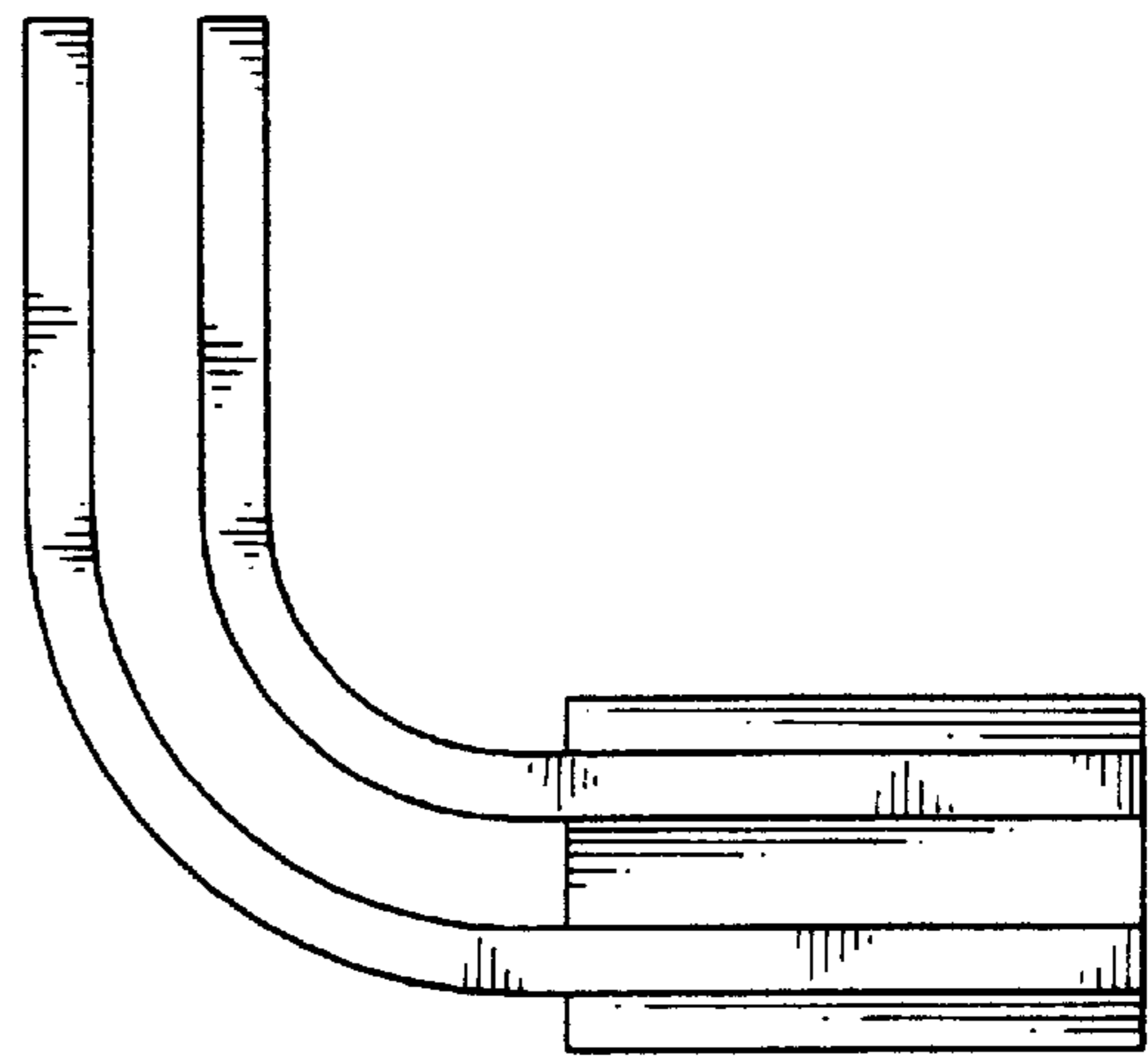


FIG. 7